

TABLE OF CONTENTS

INTRODUCTION 1

UNIT AT A GLANCE 2

FEATURES AT A GLANCE 4

QUICK START GUIDE 5

FUNCTIONS 7

SOUND PROFILES 11

EXTERNAL MIC 12

TROUBLESHOOTING 13

FAQ & ADDITIONAL RESOURCES 14

SAFETY GUIDELINES 15

SUPPORT & LIMITED WARRANTY 16

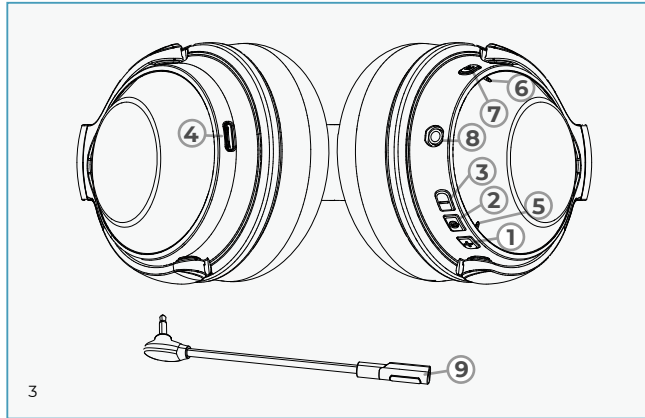
SPECIFICATIONS 16

INTRODUCTION

Welcome to your new Raycon Work Headphones! At Raycon, we develop and design innovative electronics so you can move and conquer your daily fast-paced life. Before using your product, we strongly encourage you to fully read through this user guide. You can also visit our support center at www.rayconglobal.com/support. The web page has more specific guidelines and helpful videos for you to navigate your product. For best performance, charge fully before first use.

Pairing ID: The Work Headphones

- UNIT AT A GLANCE**
- | | |
|-------------------------|--------------------------------------|
| 1. Volume Up/Next | 6. Microphone |
| 2. Power On/Off | 7. ANC/Awareness Mode/Sound Profiles |
| 3. Volume Down/Previous | 8. Mic Port |
| 4. Charging Port | 9. External Microphone |
| 5. LED Indicator | |
- INCLUDED**
- The Work Headphones
 - User Manual
 - External Mic
 - USB Charging Cable



- FEATURES AT A GLANCE**
- VIVID VOICE TECHNOLOGY WITH DETACHABLE MIC**
Be a commanding presence in meetings and presentations with Vivid Voice Technology and a detachable microphone.
 - MEMORY FOAM CUSHIONS**
Get it done in comfort with memory foam cushions that tailor themselves to your ears.
 - ADVANCED ACTIVE NOISE CANCELLATION**
With Advanced Active Noise Cancellation, distractions can't get in the way of your goals.
- AWARENESS MODE** **THREE SOUND PROFILES** **30 HOURS OF BATTERY LIFE**

QUICK START GUIDE

Hold "U" for about 3 seconds to power on. Headphones will enter pairing mode automatically.

2. From the source device, go to Bluetooth setting, and ensure Bluetooth is on. Search for "The Work Headphones" and select it to pair.

3. Enjoy your Raycon Work Headphones!

FUNCTIONS

SWITCH CONTROL

	Power On	Hold for 3 sec
	Power Off	Hold for 5 sec

MEDIA PLAYER CONTROL

	Play	Press
	Pause	Press
	Volume Up	Press
	Next	Hold for 2 sec
	Volume Down	Press
	Previous	Hold for 2 sec

AWARENESS & ANC MODE

Awareness Mode	Hear what's happening around you.
Active Noise cancellation (ANC) Mode	Focus and block out unwanted noise.

ANC CONTROL

NC	ANC On/Off	Press
	Awareness Mode On	Press

Note: ANC can be activated when headphones are powered off by holding "NC" for 3 seconds.

PHONE CALL CONTROL

	Answer a call	Press
	End a call	Press
	Reject a call	Hold for 1.5 sec
	Redial the last number	Press 2 times

While on the phone call, short press "+" and "-" together to **Mute Call**.

Hold "+" and "-" for **3 sec** to **activate Siri/Google Assistant**

CLEAR PAIRED DEVICES

Hold "-" and "U" for 5 seconds when headphones are powered on to clear paired devices.

MULTIPOINT CONNECTION

- Successfully pair to a bluetooth device using steps in Quick Start Guide, then disconnect from first device.
- Successfully connect a second bluetooth device using steps in Quick Start Guide.
- Reconnect to the first device.

SOUND PROFILES

Your sound, your way! As our sound profiles were crafted by artists and producers at the top of the industry, you're in good hands.

Balanced Sound	leveled sound that is great for all around performance and warmth.
Bass Sound	Our bass boosted sound, great for songs with strong beats and a go-to for bass lovers.
Pure Sound	Our most refined sound, perfect clarity to hear every single note.

NC Toggle between Sound Profiles Hold for 1.5 sec

EXTERNAL MIC

Use the provided External Mic to dive deeper into your work. Plug in the External Mic into the Mic Port, and you're all set.

Mute Button

When on a call, press the button on the External Mic to mute/unmute the mic.

TROUBLESHOOTING

Cannot power on Check that the battery is fully charged before using the device.

No sound when connected to a device via Bluetooth

- Check the volume and play / pause button functions on the device and headphones to ensure the Bluetooth connection is set up correctly.
- Before connecting the headphones, test the playback of the file on your Bluetooth device.
- Ensure that no other Bluetooth devices interfere with the current Bluetooth connection.

No sound when connected to an external device by 3.5mm audio AUX cable

- Check the volume level of the connected device and the headphones, check the play / pause button on the connected device, and ensure that the line connecting the device and the headphones is intact and securely connected.
- Before connecting the headphones, test the playback of the file on your source device.

Reset your headphones

Ensure the charging cable is plugged into a power source, and connect it to the headphones. While connected, press "-" and "NC" together to reset your headphones.

FAQ & ADDITIONAL RESOURCES

Visit: www.rayconglobal.com/support

SAFETY GUIDELINES

Please follow the safety guidelines below at all times when operating or caring for your device.

- Be wary of any edges, uneven surfaces, and metal parts, including on accessories and product packaging, to prevent any possible injury or damage.
- Listen to music at a proper volume to avoid damaging your hearing and headphones.
- Do not store in high temperatures, such as in a hot vehicle or in direct sunlight.
- Do not expose the headphones or any of its supplied parts to rain or other liquids.
- Do not drop or cause undue impact to the headphones.
- Do not modify, repair, or dismantle the product on your own.
- Do not use any dilutant or volatile liquid to clean the product.
- Do not use the product in a hazardous location.

SUPPORT

If your device is not functioning correctly, please visit www.rayconglobal.com/support for customer support, and we will be more than happy to help you.

LIMITED WARRANTY

Visit: www.rayconglobal.com/warranty

SPECIFICATIONS

Model Number: RBH880	Bluetooth Playtime: About 32 hours
Pairing Name: The Work Headphones	ANC Playtime: About 60 hours
RDID: D880-2IE-Q321	Charging Time: About 3 hours
Bluetooth Version: 5.0	Support Profile: A2DP /AVRCP /HFP /HSP
Power Input: DC 5V /1A	Frequency Response: 20Hz-20KHz
Li-battery Capability: 500mAh	Noise Reduction Parameters: 28 ±2dB
	Bluetooth Operating Range: ≤ 10 m

FCC WARNING

This device complies with part 15 of the FCC Rules. Operation is subject to the following two conditions: (1) this device may not cause harmful interference, and (2) this device must accept any interference received, including interference that may cause undesired operation. Any changes or modifications not expressly approved by the party responsible for compliance could void the user's authority to operate the equipment.

NOTE: This equipment has been tested and found to comply with the limits for a Class B digital device, pursuant to Part 15 of the FCC Rules. These limits are designed to provide reasonable protection against harmful interference in a residential installation. This equipment generates, uses, and

can radiate radio frequency energy and, if not installed and used in accordance with the instructions, may cause harmful interference to radio communications. However, there is no guarantee that interference will not occur in a particular installation.

If this equipment does cause harmful interference to radio or television reception, which can be determined by turning the equipment off and on, the user is encouraged to try to correct the interference by one or more of the following measures:

- Reorient or relocate the receiving antenna.
- Increase the separation between the equipment and receiver.

- Connect the equipment into an outlet on a circuit different from that to which the receiver is connected.
- Consult the dealer or an experienced radio/TV technician for help. The device has been evaluated to meet general RF exposure statement. The device can be used in portable exposure condition without restriction.

IC CAUTION:

- English:
This device complies with Industry Canada licence-exempt RSS standard(s).
Operation is subject to the following two conditions:
(1) This device may not cause interference, and

(2) This device must accept any interference, including interference that may cause undesired operation of the device.

- French:
Le présent appareil est conforme aux CNR d'Industrie Canada applicables aux appareils radio exempts de licence.
L'exploitation n'est autorisée aux deux conditions suivantes:
(1) l'appareil ne doit pas produire de brouillage, et
(2) l'utilisateur de l'appareil doit accepter tout brouillage radioélectrique subi, même si le brouillage est susceptible d'en compromettre le fonctionnement.

FC CE RoHS **FCC ID: 2AZOV-RBH880** **IC: 27185-RBH880**

