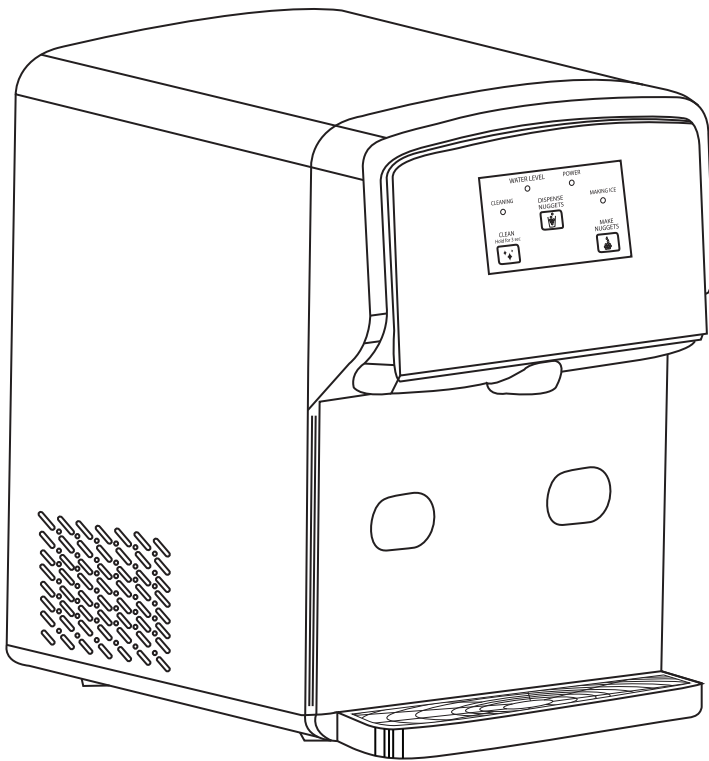


Table of Contents:

Safety Instructions	2
Features & Specifications	4
Use of Dispenser	6
Dispenser Care	10
Installation Instructions	14
Troubleshootings	15
Service & Important Notice	16



Please Note, you can begin to use your machine immediately. It may not reach it's specified output for up to 24 hours

Self Dispensing Nugget Ice Machine User Instructions

Model: FDFM1JA01

THANK YOU FOR YOUR PURCHASE

Thank you for purchasing the Nugget Ice Dispenser. Enjoy ice nuggets anywhere.

CONTACT US

Phone: 323-400-6717

Website: www.kbgoodice.com

GENERAL OPERATING INSTRUCTION

Read these instructions before use and save them for future reference. Let the unit rest and remain unplugged for 24 hours before use.

- Remove all external and internal packaging materials. Be sure that all parts have been included before discarding any packaging materials. You may want to keep the packaging materials for use at a later date.

SAFETY INSTRUCTIONS

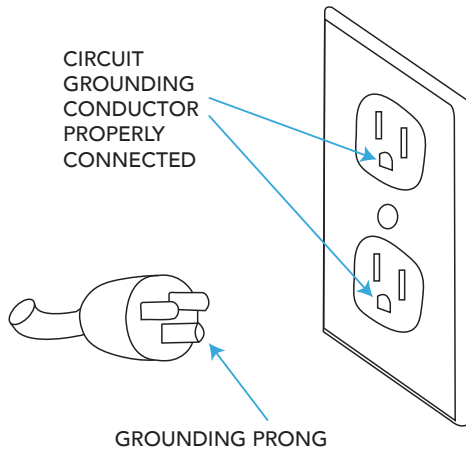
Electrical Safety

DANGER

Improper use of the power cord plug can result in the risk of electrical shock, property damage and personal injury or death.

Unplug the unit or disconnect power before performing any maintenance.

Upon receipt and inspection of the unit the power cord must be replaced if it is damaged.



- This appliance is equipped with a 3-prong grounding-type plug.
- It is required to use a 3-prong grounding-type electrical outlet properly grounded in accordance with the National Electrical Code and local codes and ordinances.
- A separate adequately fused and grounded circuit shall be used for this appliance. The voltage rating must match the rating label on the unit.
- Do not under any circumstances cut or remove the third ground prong from the power cord.
- Never unplug the appliance by pulling the power cord. To disconnect the unit always grip the plug firmly and pull straight out from the wall outlet.
- Do not operate the appliance if the appliance housing is removed or damaged.
- Do not attempt to repair or replace any part of your appliance unless it is specifically recommended in this manual. All other servicing shall be referred to a qualified technician.
- To protect against electric shock do not immerse appliance plug or cord into water or other liquids.

Child Safety

- Exercise caution and use reasonable supervision when appliance is used near children. Never allow children to operate the unit. Keep packing materials away from children.
- Keep fingers out of dispense point area.

Cleaning

DANGER

To reduce the risk of injury when cleaning your appliance follow these basic precautions.

- Unplug the appliance before performing any maintenance.
- Do not clean appliance with flammable fluids. Do not store or use gasoline or other flammable vapors or liquids in the vicinity of this or any other unit. The fumes can create a fire hazard or explosion.
- Do not use solvent-based cleaning agents or abrasives on the interior or exterior of the appliance. These cleaners may damage or discolor the appliance.
- Do not operate the appliance with wet hands, while standing on a wet surface, or while standing in water.

Disposing

CAUTION

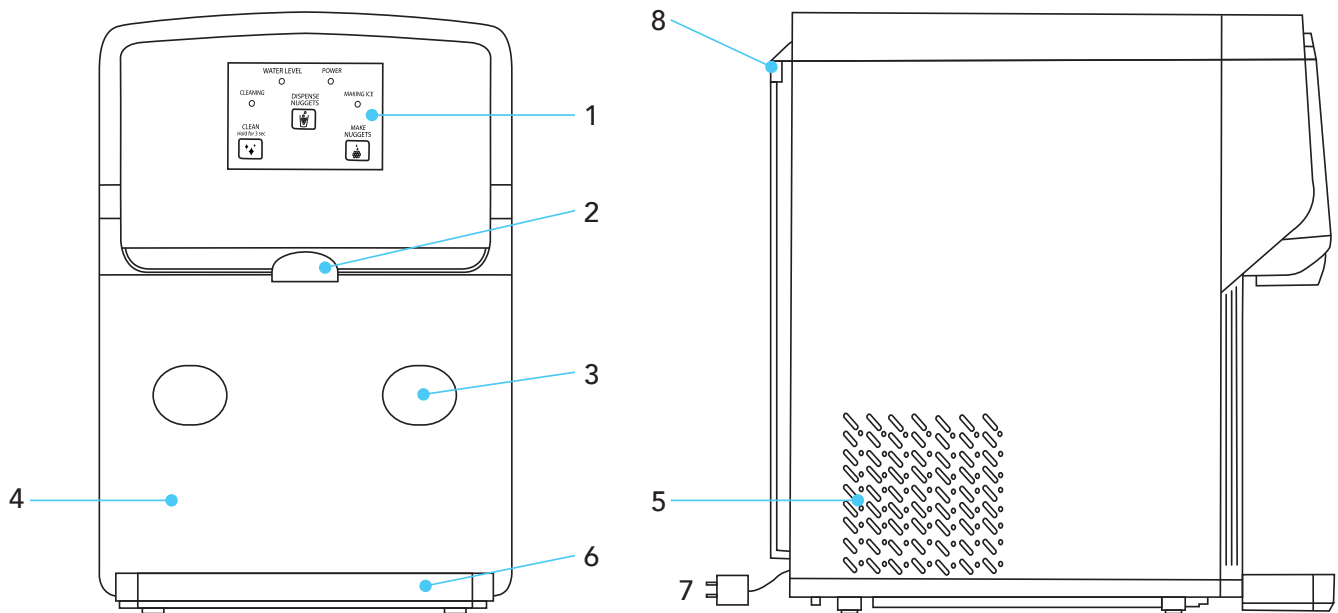
When disposing of refrigerated appliances, special handling is often required. It is the consumer's responsibility to comply with federal and local regulations when disposing of this product.

FEATURES & SPECIFICATIONS

Overview

This compact automatic ice dispenser allows you to enjoy nugget ice with the touch of a button. Water fill through push-to-open or removable door makes it portable and easy to use.

Features and Parts



- 1. Display Panel
- 2. Ice Dispense Point
- 3. Water Port for Funnel
- 4. Reservoir Cover
- 5. Air Vent
- 6. Water Drip Tray
- 7. Power Cord
- 8. Drain Tube Plugs/Holder

- This compact automatic ice dispenser allows you to enjoy nugget ice with the touch of a button.
- The built-in ice engine can quickly make nugget ice within 60 minutes and produce 22 lbs of ice per day.
- Automatic cleaning and descaling programs keep the unit clean and top operational condition.
- Water fill through push-to-open or removable cover provides you with the convenience to use it anywhere.
- Less than 17.5 inches in height allows for installations on any counters and tables.

Specifications

Product	Portable Nugget Ice Dispenser
Model No	FDFM1JA01
Ice Type	Chewable Nugget Ice
Ice Production Capacity (75°F Air)	22 lb / 24 h
Ice Storage Capacity	1 lb
Water Reservoir Capacity	100 fl oz
Ice Dispensing Actuation	Touch Button
Drip Tray	Magnetically Detachable
Drain Plumbing	Not Required
Water Supply	Manual Fill
Water Fill Port	Push to Open / Removable Door
Touch Buttons	Make Ice, Clean, Dispense Ice
LED Notifications	Making Ice, Cleaning, Water Level, Power
Operating Temperature	50~85 °F
Electrical Rating	115V/60Hz/2.5A
Refrigerant	R600a
Installation	Countertop
Unit Dimensions	12"W x 16" D x 17-1/2"H
Net Weight	40 lb

USE OF DISPENSER

CLEANING NOTE

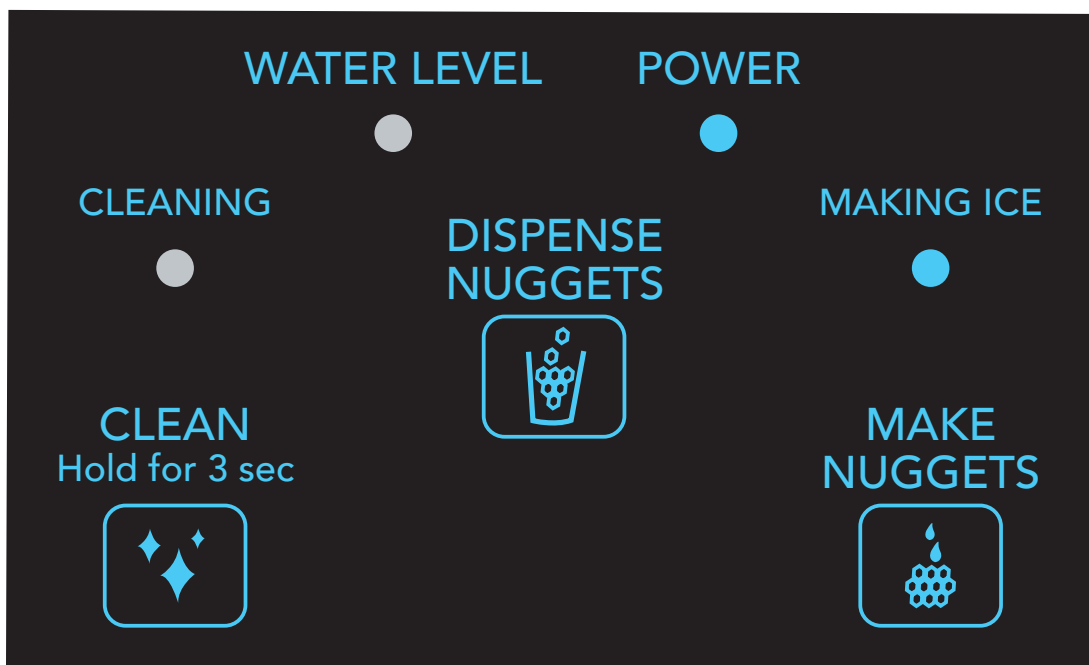
Clean the unit once a week to prevent high water TDS and hardness.

Descale the unit with citric acid once a month to prevent sediment building up.

NOTE

Whenever possible we recommend using distilled or bottled water, as this will improve the performance of the machine. Tap water with a hardness of <100 PPM is also acceptable. Water with excessive calcium will diminish performance and increase the need to clean the machine.

Display



Use Of Dispenser (continued)



Make Nuggets Button can be used when the unit is not in the Cleaning mode.

- To make ice, press the button once. The Making Ice LED flashes slowly indicating that ice is being made.
- To stop making ice, press and hold the button for 3 seconds. The Making Ice LED will go off.



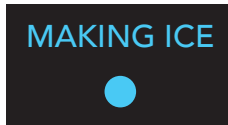
Clean Button can be used when the unit is not in the Ice Making mode. Also, can be used for defrosting, flushing, descaling or sanitizing process.

- Press and hold for 3 seconds to start Cleaning, the Cleaning LED flashes slowly while the unit is currently in cleaning process.
- Press and hold for 3 seconds again to stop Cleaning, the Cleaning LED goes off.

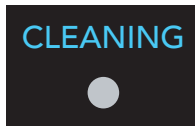


LED illuminates when the unit is plugged into power.

Red LED flashes when more water is needed.
Green LED illuminates once water is full.



Blue LED flashes slowly while the unit is currently making ice. LED illuminates once the ice bin is full.



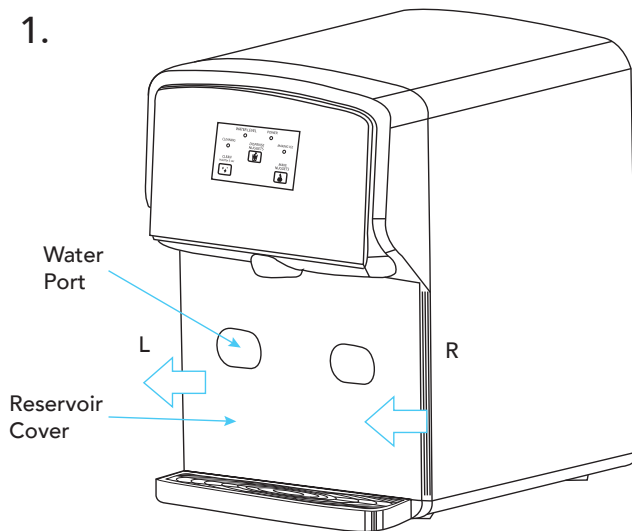
LED flashes slowly while the unit is currently in cleaning process. LED flashes quickly once cleaning is needed for defrosting process.

FIRST TIME USE

For the first time use flush the unit following instructions below.

For the first time use dispense several cups of ice and then discard them.

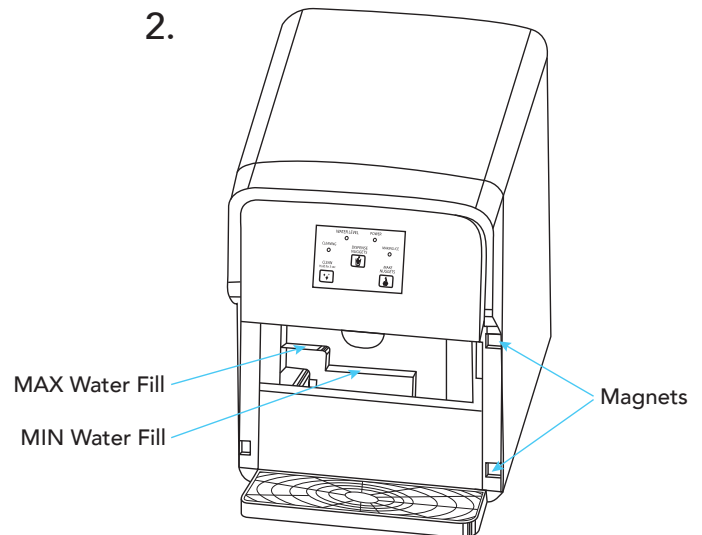
1.



1. Filling the water reservoir for the first time use

- Remove the reservoir cover by simultaneously pulling from the left and right side towards you (See illustration 1).
- Add water to MAX WATER FILL and then replace cover.

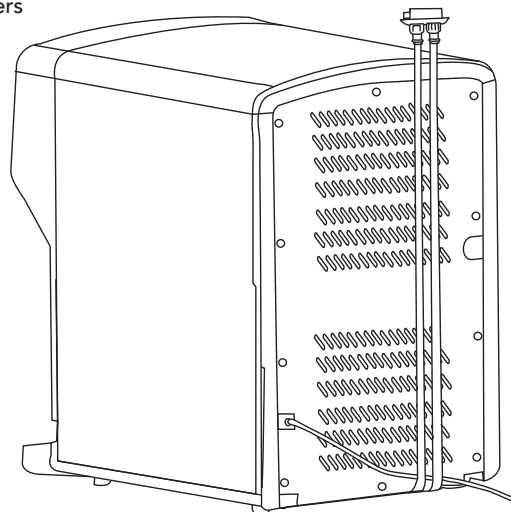
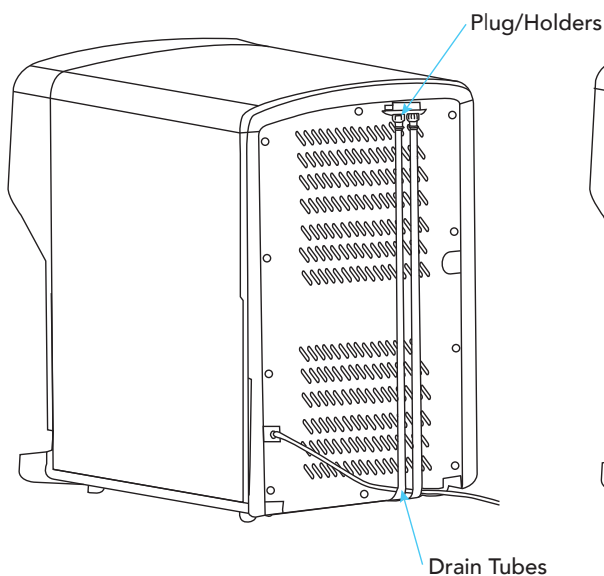
2.



2. Flushing the unit for the first time

- Plug the unit into power.
- Press and hold Clean button for 3 seconds to start the Cleaning mode
- Unplug the unit when the flushing process is complete (it takes 30 minutes and the Cleaning LED goes off).

- Pull the drain tubes with plugs/holders out of the unit back and remove the plugs/holders to release water.
- Replace the plugs/holders and put the tubes with plugs/holders back to the unit.



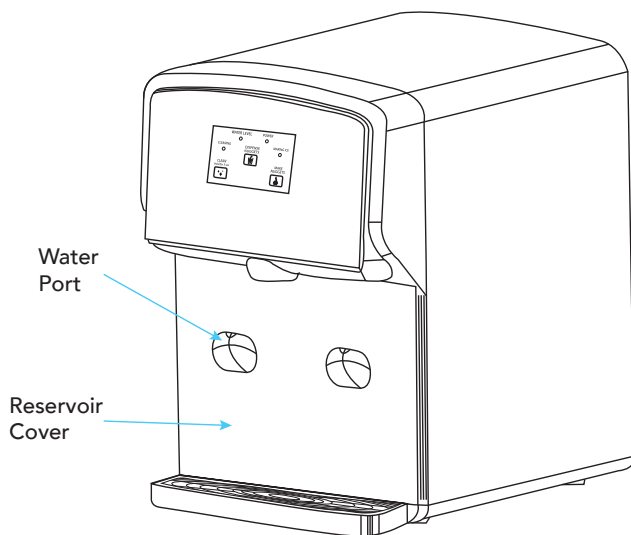
3. Making ice for the first time use

- Add water to the MAX WATER FILL.
- Plug the unit into power.
- Press Make Nuggets button once and wait for the Making Ice LED to flash slowly which indicates that ice is beginning to be made

NOTE

Do not add water until Water Level red LED flashes.

Do not overfill the reservoir otherwise it may overflow when ice melts completely.



- Push the water port door to open.
 - Add water until the Water Level green LED illuminates with 5 beeps.
 - Release the water port door to close.
- Or
- Add potable water between MAX WATER FILL and MIN WATER FILL.

Dispensing Ice

NOTE

The unit does not dispense ice while Cleaning LED flashes.



Dispense Nuggets button

The unit will stop dispensing automatically after 60 seconds elapse.

- Place a cup under the ice dispense point.
- Press and hold to dispense ice, release to stop.

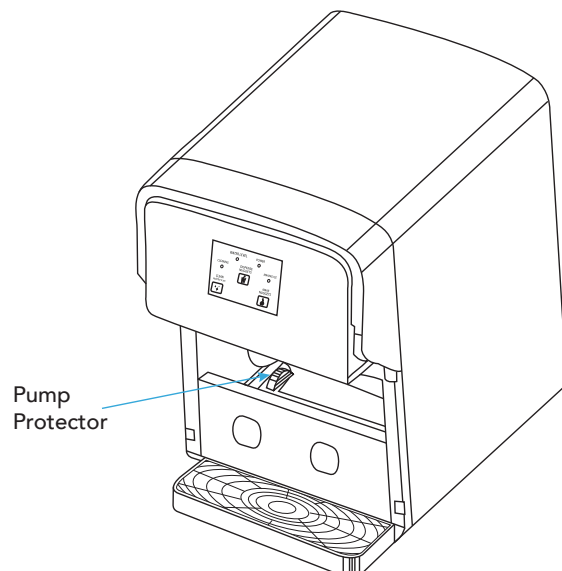


Combination Buttons can be used when the unit can't dispense ice because ice is jammed.

- While you hold Dispense Nuggets button, press and hold Clean button to turn the ice auger backwards.

Cleaning the pump protector

- Drain water following instructions in Section 2.
- Remove the water reservoir door and lift up the pump protector.
- Clean the pump protector with dishwashing liquid and rinse it with potable water.
- Replace the pump protector



DISPENSER CARE

NOTE

• This unit is designed to be operated in an area with a maximum ambient temperature of 80°F, 26°C. Warmer ambient temperature will result in reduced ice production and quality and product. Never operate this unit in direct sunlight.

1. How to drain water

- Unplug the unit.
- Pull the drain tubes with plugs/holders out of the unit back and lower them to a bucket or sink, remove the plugs/holders to release water.
- Replace the plugs/holders and put the tubes with plugs/holders back to the unit.

2. How to empty the ice bin and water reservoir

- Dispense ice until no more ice comes out of the ice dispense point.
- Unplug the unit and let the remaining ice melt.
- Drain water following instructions in Section 1.

3. If the Water Level red LED flashes and the unit stops making ice

- Fill the water reservoir with clean potable water.

4. If the Water Level red LED illuminates but the water reservoir is full

- Unplug the unit and plug the unit into power again.

5. If the Cleaning LED flashes and the unit stops making ice (If this section can't solve your problem, please go to section 9)

- Empty the ice bin and water reservoir following instructions in Section 2.
- Plug the unit into power.
- Fill the water reservoir with clean potable water.
- Press and hold Clean button for 3 seconds to start the Cleaning mode.
- Unplug unit and drain the water following instructions in Section 1.
- Plug the unit back into power
- Fill the water reservoir with clean potable water.
- To start making ice, press Make Nuggets button once

6. If the Making Ice LED illuminates but the unit has dispensed all ice

- First, press and hold Make Nuggets button for 3 seconds to exit the Ice Making mode.
- Press and hold Clean button for 3 seconds to start the Cleaning mode to melt the clumped ice that blocks the infrared beam.
- Press and hold Clean button again for 3 seconds in 1 minute to stop.
- Then press Make Nuggets button once to start making ice.

7. If ice is stuck or jammed and the unit can't dispense ice

- Remove the stuck ice in the dispense point with a spoon.
- Or break the jammed ice by pressing Clean button while you hold Dispense Nuggets button.
- Then press and hold Dispense Nuggets button to dispense ice.

8. How to flush the unit once a week to prevent high water TDS and hardness

- Empty the ice bin and water reservoir following instructions in Section 2.
- Fill the water reservoir with clean potable water to MAX WATER FILL.
- Plug the unit into power.
- Press and hold Clean button for 3 seconds to start Cleaning mode for the flushing process.
- When the flushing process is complete (the Cleaning LED goes off), drain the water following instructions in Section 1

9. How to descale the unit with citric acid once a month to prevent sediment building up

- Unplug unit
- Empty the ice bin and water reservoir following instructions in Section 2.
- To make descaling solution, mix 15 teaspoons of food grade citric acid powder with 100 fl oz potable water.
- Fill the water reservoir with the descaling solution to MAX WATER FILL.
- Plug the unit into power.
- Press and hold Clean button for 3 seconds to start Cleaning mode for descaling process.
- Unplug the unit and drain water following instructions in Section 1 when the descaling process is complete (the Cleaning LED goes off).
- Plug the unit into power.
- Fill the water reservoir with clean potable water again.
- Press and hold Clean button for 3 seconds to start Cleaning mode for rinse process.
- Press and hold Clean button again for 3 seconds in 5 minutes to stop rinsing.
- Drain water following instructions in Section 1.
- Repeat the rinse process 3 times until water is clean and tasting good.

10. How to sanitize the unit with chlorine bleach once a month to prevent bacteria growing

- Empty the ice bin and water reservoir following instructions in Section 2.
- To make sanitizing solution, mix 1 teaspoon of 5% food grade chlorine bleach with 100 fl oz clean potable water.
- Fill the water reservoir with the sanitizing solution to MAX WATER FILL.
- Plug the unit into power.
- Press and hold Clean button for 3 seconds to start Cleaning mode for sanitizing process.
- Unplug the unit and then drain water following instructions in Section 1 when the sanitizing process is complete (the Cleaning LED goes off).
- Plug the unit into power.
- Fill the water reservoir with clean potable water again.
- Press and hold Clean button for 3 seconds to start Cleaning mode for rinse process.
- Press and hold Clean button again for 3 seconds in 5 minutes to stop rinsing.
- Drain water following instructions in Section 1.
- Repeat the rinse process 3 times until water is clean and tasting good.

11. If you are away on holidays or vacations

- Empty the ice bin and water reservoir following instructions in Section 2.

12. You may hear the following normal operating sounds

- You may hear a boiling, rattling or gurgling sound produced by flow of refrigerant through the evaporator.
- You may hear air being forced through the condenser by the condenser fan.
- You may hear a clicking sound produced by the refrigerant valve or water valve.
- You may hear a high pitched hum or pulsating sound produced by the compressor.
- You may hear a high pitched sound produced by the gear motor.
- You may hear ice being ejected from the ice engine to the ice bin.

INSTALLATION INSTRUCTIONS

Location

CAUTION

This unit is designed for indoor use only.

- Place the unit away from direct sunlight and heat sources.
- Do not install the unit in moist areas.
- Do not install the unit in garage.
- Do not install the unit where the ambient temperature range will be below 50 °F or above 80 °F. Otherwise, the unit will not be able to work properly.
- The unit must be placed in a properly ventilated location to prevent heat build-up generated by the refrigeration system. Failure to do so will prevent the unit from cooling properly, and may result in damage to unit components as well as its contents.
- The unit must be installed on a counter that is level and strong enough to support up to 50 lb.

Clearance

CAUTION

This unit is designed for countertop installation only.

- Do not block the air vent on left side.
- Allow for minimum 12 inches of clearance on the left side.
- Allow for minimum 1/2 inch of clearance on the right side.
- Allow for minimum 2 inches of clearance on the back.
- Allow for minimum 1/2 inch of clearance on the top.

Electrical Requirements

DANGER

It is required that you connect this unit only to a GFCI protected receptacle. It is strongly recommended that you do not use an adapter or an extension cord to connect this unit because of potential safety hazards.

- A dedicated 120V, 60Hz, 15A fused, grounded electrical supply is required. We recommended a separate circuit serving only your appliance.
- We do not recommend using outlets that can be turned off by a switch.
- Only plug the unit into a grounded 3 prong outlet.

TROUBLESHOOTING

DANGER	POSSIBLE CAUSES	RESPONSE
Unit does not work and the Power LED is not lit	<ul style="list-style-type: none"> a. The outlet is not receiving any power. b. Power cord is unplugged. c. Power cord is broken. d. Control PCB is defective or with wiring problems. e. Display PCB is defective or with wiring problems 	<ul style="list-style-type: none"> a. Check for outlet and breaker/fuse. b. Plug in the power cord. c. Call for service. d. Call for service. e. Call for service.
Unit does not make ice	<ul style="list-style-type: none"> a. The ice maker is turned off/ not plugged in. b. Water Level red LED flashes and the water reservoir is low. c. Making Ice LED illuminates but unit has dispensed all ice. d. Cleaning LED flashes and defrosting is required. e. Water Level red LED illuminates. f. The water pump, water level sensor, ice engine motor or cooling system is defective. 	<ul style="list-style-type: none"> a. Turn the ice maker on. b. Fill the water reservoir with potable water. c. Use the Cleaning mode to melt clumped ice. d. Use the Cleaning mode to defrost. e. Call for service. f. Call for service.
Unit does not dispense ice	<ul style="list-style-type: none"> a. There is no ice in the ice bin. b. Ice is jammed in the ice bin. c. Ice is stuck in the ice dispense point d. The ice bin auger or motor, control PCB or display PCB is defective. 	<ul style="list-style-type: none"> a. See Unit does not make ice b. Use Dispense Ice and Clean button combination to break the jammed ice. c. Use a spoon to remove the stuck ice. d. Call for service.
Unit leaks water	<ul style="list-style-type: none"> a. The water reservoir is overfull. b. The drip tray is overflow. c. The water reservoir or tubing is leaking. d. The water level sensor is defective. 	<ul style="list-style-type: none"> a. Reduce the water fill. b. Empty it. c. Call for service. d. Call for service.



SERVICE & IMPORTANT NOTICE

The manufacturer has a policy of continuous improvement on its products and reserves the right to change materials and specifications without notice.

All products, features, and services are subject to change without notice. We cannot guarantee the accuracy of the contents of this document. We disclaim liability for errors, omissions, or future changes.