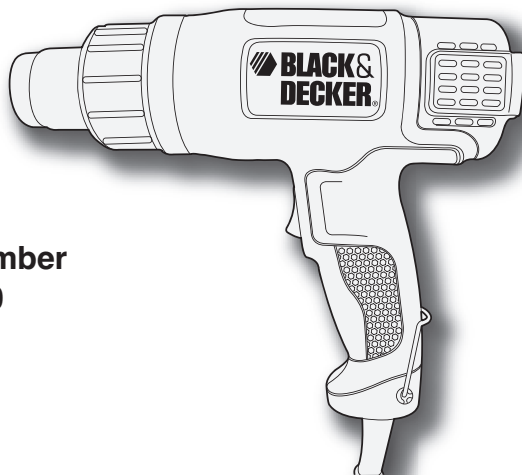


BLACK & DECKER®

HEAT GUN

INSTRUCTION MANUAL



**Catalog Number
HG1300**

**Thank you for choosing Black & Decker!
Go to www.BlackandDecker.com/NewOwner
to register your new product.**

**PLEASE READ BEFORE RETURNING THIS
PRODUCT FOR ANY REASON:**

If you have a question or experience a problem with your Black & Decker purchase, go to
[HTTP://WWW.BLACKANDDECKER.COM/INSTANTANSWERS](http://WWW.BLACKANDDECKER.COM/INSTANTANSWERS)
for instant answers 24 hours a day.

If you can't find the answer or do not have access to the internet,
call 1-800-544-6986 from 8 a.m. to 5 p.m. EST Mon. -- Fri. to speak with an agent.
Please have the catalog number available when you call.

SAVE THIS INSTRUCTION MANUAL FOR FUTURE REFERENCE.

VEA EL ESPAÑOL EN LA CONTRAPORTADA.

INSTRUCTIVO DE OPERACIÓN, CENTROS DE SERVICIO Y PÓLIZA DE GARANTÍA.
ADVERTENCIA: LÉASE ESTE INSTRUCTIVO ANTES DE USAR EL PRODUCTO.

⚠ Important Safety Warnings and Instructions

⚠ **WARNING:** When using electric tools, basic safety precautions should always be followed to reduce risk of fire, electric shock, and personal injury, including the following.

READ ALL INSTRUCTIONS

TO REDUCE RISK OF INJURY:

- Before any use, be sure everyone using this tool reads and understands all safety instructions and other information contained in this manual.
- Save these instructions and review frequently prior to use and in instructing others.

⚠ General Safety Warnings and Instructions for All Tools

- **KEEP WORK AREA CLEAN.** Cluttered areas and benches invite injuries.
- **CONSIDER WORK AREA ENVIRONMENT.** Don't expose power tools to rain. Don't use power tools in damp or wet locations. Keep work area well lit. Do not use in presence of flammable liquids or gases. Motors in these tools normally spark, and the sparks may ignite the fumes.
- **GUARD AGAINST ELECTRIC SHOCK.** Prevent body contact with grounded surfaces. For example; pipes, radiators, ranges, refrigerator enclosures. Use extreme caution when drilling, driving, or cutting into walls, floors, ceilings or other areas or wherever live electrical wires may be contacted, do not touch any metal parts of the tool. Hold the tools only by the plastic handle to prevent electric shock.
- **KEEP CHILDREN AWAY.** Do not let children and visitors contact tool or extension cord. All children and visitors should be kept away from work area.
- **STORE IDLE TOOLS.** When not in use, tools should be stored in dry, and high or locked-up place—out of reach of children.
- **DON'T FORCE TOOL.** It will do the job better and safer at the rate for which it was intended.
- **USE RIGHT TOOL.** Don't force small tool or attachment to do the job of a heavy-duty tool. Don't use tool for purposes not intended.
- **DRESS PROPERLY.** Do not wear loose clothing or jewelry. They can be caught in moving parts. Heavy duty gloves to protect hands and non-skid footwear are recommended when working outdoors. Wear protective hair covering to contain long hair.
- **USE SAFETY GLASSES AND OTHER SAFETY EQUIPMENT.** Use safety goggles or safety glasses with side shields, complying with applicable safety standards and, when needed, a face shield. Also use face or dust mask if cutting operation is dusty. This applies to all persons in the work area. Also use a hard hat, hearing protection, gloves, safety shoes and dust collection systems when specified or required.
- **DON'T ABUSE CORD.** Never carry tool by cord or yank it to disconnect from receptacle. Keep cord from heat, oil, and sharp edges.
- **SECURE WORK.** Use clamps or a vise to hold work. It's safer than using your hand and it frees both hands to operate tool.
- **DON'T OVERREACH.** Keep proper footing and balance at all times.
- **MAINTAIN TOOLS WITH CARE.** Keep tools sharp and clean for better and safer performance. Follow instructions for lubricating and changing accessories. Inspect tool cords periodically and if damaged, have repaired by authorized service facility. Inspect extension cords periodically and replace if damaged. Keep handles dry, clean, and free from oil and grease.
- **DISCONNECT TOOLS.** Unplug the tool when not in use, when moving tool from place to place, before servicing, and when changing accessories (such as blades, bits, cutters) or making adjustments.
- **REMOVE ADJUSTING KEYS AND WRENCHES.** Form habit of checking to see that keys and adjusting wrenches are removed from tool before turning it on.
- **AVOID UNINTENTIONAL STARTING.** Don't carry tool with finger on switch. Be sure switch is off when plugging in.
- **OUTDOOR USE EXTENSION CORDS.** When tool is used outdoors, use only extension cords intended for use outdoors and so marked.
- **STAY ALERT.** Watch what you are doing. Use common sense. Do not operate tool when you are tired or otherwise impaired.
- **CHECK DAMAGED PARTS.** Before further use of the tool, a guard or other part that is damaged should be carefully checked to determine that it will operate properly and

perform its intended function. Check for alignment of moving parts, binding of moving parts, breakage of parts, mounting, and any other conditions that may affect its operation. A guard or other part that is damaged should be properly repaired or replaced by an authorized service center. Do not use tool if switch does not turn it on and off.

- **REPAIRS AND SERVICE.** Repairs, maintenance and any adjustments not specified in this manual should be performed by Black & Decker authorized service centers or other qualified service organizations, always using identical replacement parts.
- **USE OF ACCESSORIES AND ATTACHMENTS.** The use of any accessory or attachment not recommended for use with the tool could be hazardous. Note: Refer to the accessory section of this manual for further details.

SAFETY GUIDELINES - DEFINITIONS

It is important for you to read and understand this manual.

The information it contains relates to protecting YOUR SAFETY and PREVENTING PROBLEMS. The symbols below are used to help you recognize this information.

⚠ DANGER: Indicates an imminently hazardous situation which, if not avoided, will result in death or serious injury.

⚠ WARNING: Indicates a potentially hazardous situation which, if not avoided, could result in death or serious injury.

⚠ CAUTION: Indicates a potentially hazardous situation which, if not avoided, may result in minor or moderate injury.

CAUTION: Used without the safety alert symbol indicates a potentially hazardous situation which, if not avoided, may result in property damage.

Additional Safety Instructions

IMPORTANT SAFETY INSTRUCTIONS FOR HEAT GUNS

1. Remember that hidden areas such as those behind walls, ceilings, floors, soffit boards and other panels may contain flammable materials that could be accidentally ignited when stripping paint from the panel. Such a fire would not be readily apparent, and could cause considerable damage and danger of injury. These heat guns are capable of producing temperatures in excess of 1000° F (538° C).
2. Do not use this tool as a hair dryer.
3. Allow the tool to cool before storing. Do not lay the heat gun on flammable surfaces when operating the gun or immediately after shutting it off. Always set the gun on a flat level surface so that the nozzle tip is pointed upward.
4. Always use good quality scrapers and stripping knives.
5. Never obstruct the air intake or nozzle outlet.
6. Be sure to direct the hot air blast in a safe direction; away from other people or flammable objects.
7. Keep fingers away from metal nozzle; it becomes very hot.
8. Don't touch the nozzle to any surface while running or shortly after running.
9. Avoid poking anything down inside the nozzle.
10. Know your work environment. Remember that areas behind soffit board, ceilings, and floors may contain highly flammable materials. Check these areas before applying heat.
11. Clean dry paint from the nozzle after use; it could ignite.
12. Clean your scraper blade frequently during use; it could ignite.
13. Do not use the heat gun in combination with chemical strippers.
14. Do not use accessory nozzles as scrapers.
15. Keep nozzle away from cord.
16. Do not use to cook or warm food.

17. Be constantly aware that this tool can ignite flammable materials, and soften or melt others. Regardless of the task you are performing, shield or keep away from these materials that are close to the work area.

You may occasionally notice some slight smoking of the tool after it is turned off. This is the result of heating the residual oil that was deposited on the heating element during the manufacturing process.

IMPORTANT NOTICE:

In order for this tool to be an effective paint stripper, it must produce extremely high temperatures. As a consequence, the stripper is capable of igniting paper, wood, paint and varnish residue and similar materials.

As you become more familiar with the tool and develop the proper technique, the danger of accidental ignition will be greatly reduced. In establishing the proper technique, the best thing to do is practice! Work on simple stripping projects, preferably outdoors, until you get a “feel” for how to use your stripper safely and effectively.

As you practice, observe the following procedures for safety:

1. Always be sure the tool is turned off and disconnected from power supply when unattended.
2. Clean the scraper blade often during use. Built up residue on the blade is highly flammable.
3. Experiment to find the optimum distance from the tool’s nozzle to the surface being stripped. This distance (usually 1-2 inches)(25-50 mm) will vary depending on the material being removed.
4. Keep the heat gun moving ahead of the scraper blade at all times.
5. As you work, clean up loose pieces of paint as they accumulate around the work area.
6. When working indoors, keep away from curtains, papers, upholstery and similar flammable materials.
7. Above all, remember that this is a serious power tool that is capable of producing excellent results when used properly. Practice on simple projects until you feel comfortable with your stripper. Only then will you have mastered the proper technique.

⚠ WARNING: Extreme care should be taken when stripping paint. The peelings, residue and vapors of paint may contain lead, which is poisonous. Any pre-1977 paint may contain lead and paint applied to homes prior to 1950 is likely to contain lead. Once deposited on surfaces, hand to mouth contact can result in the ingestion of lead. Exposures to even low levels of lead can cause irreversible brain and nervous system damage; young and unborn children are particularly vulnerable.

Before beginning any paint removal process you should determine whether the paint you are removing contains lead. This can be done by your local health department or by a professional who uses a paint analyzer to check the lead content of the paint to be removed.

Lead based paint should only be removed by a professional and should not be removed using a heat gun.

Persons removing paint should always follow these guidelines:

1. Move the work piece outdoors. If this is not possible, keep the work area well ventilated. Open the windows and put an exhaust fan in one of them. Be sure the fan is moving the air from inside to outside.
2. Remove or cover any carpets, rugs, furniture, cooking utensils, and air ducts.
3. Place drop cloths in the work area to catch any paint chips or peelings. Wear protective clothing such as extra work shirts, overalls and hats.
4. Work in one room at a time. Furnishings should be removed or placed in the center of the room and covered. Work areas should be sealed off from the rest of the dwelling by sealing doorways with drop cloths.
5. Children, pregnant women or potentially pregnant women and nursing mothers should not be present in the work area until the work is done and all clean up is complete.
6. Wear a dust respirator mask or a dual filter (dust and fume) respirator mask which has

been approved by the Occupational Safety and Health Administration (OSHA), the National Institute of Safety and Health (NIOSH), or the United States Bureau of Mines. These masks and replaceable filters are readily available at major hardware stores. Be sure the mask fits. Beards and facial hair may keep masks from sealing properly. Change filters often. Disposable paper masks are not adequate.

7. Use caution when operating the heat gun. Keep the heat gun moving as excessive heat will generate fumes which can be inhaled by the operator.
8. Keep food and drink out of the work area. Wash hands, arms and face and rinse mouth before eating or drinking. Do not smoke or chew gum or tobacco in the work area.
9. Clean up all removed paint and dust by wet mopping the floors. Use a wet cloth to clean all walls, sills and any other surface where paint or dust is clinging. Do not sweep, dry dust or vacuum. Use a high phosphate detergent or trisodium phosphate (TSP) to wash and mop areas.
10. At the end of each work session put the paint chips and debris in a double plastic bag, close it with tape or twist ties, and dispose of properly.
11. Remove protective clothing and work shoes in the work area to avoid carrying dust into the rest of the dwelling. Wash work clothes separately. Wipe shoes off with a wet rag that is then washed with the work clothes. Wash hair and body thoroughly with soap and water.

The label on your tool may include the following symbols.

V	volts	A	amperes
Hz	hertz	W	watts
min	minutes	~	alternating current
===	direct current	n _o	no load speed
□	Class II Construction	⊕	earthing terminal
⚠	safety alert symbol	.../min	revolutions or reciprocations per minute

⚠ WARNING: Some dust created by power sanding, sawing, grinding, drilling, and other construction activities contains chemicals known to the State of California to cause cancer, birth defects or other reproductive harm. Some examples of these chemicals are:

- lead from lead-based paints,
- crystalline silica from bricks and cement and other masonry products, and
- arsenic and chromium from chemically-treated lumber.

Your risk from these exposures varies, depending on how often you do this type of work. To reduce your exposure to these chemicals: work in a well ventilated area, and work with approved safety equipment, such as those dust masks that are specially designed to filter out microscopic particles.

- **Avoid prolonged contact with dust from power sanding, sawing, grinding, drilling, and other construction activities. Wear protective clothing and wash exposed areas with soap and water.** Allowing dust to get into your mouth, eyes, or lay on the skin may promote absorption of harmful chemicals.

⚠ WARNING: Use of this tool can generate and/or disperse dust, which may cause serious and permanent respiratory or other injury. Always use NIOSH/OSHA approved respiratory protection appropriate for the dust exposure. Direct particles away from face and body.

⚠ WARNING: ALWAYS use safety glasses. Everyday eye glasses are NOT safety glasses. Also use face or dust mask if cutting operation is dusty.

ALWAYS WEAR CERTIFIED SAFETY EQUIPMENT:

- ANSI Z87.1 eye protection (CAN/CSA Z94.3)
- ANSI S12.6 (S3.19) hearing protection
- NIOSH/OSHA/MSHA respiratory protection

USE OF EXTENSION CORDS

Make sure the extension cord is in good condition before using. Always use the proper size extension cords with the tool – that is, proper wire size for various lengths of cord and heavy enough to carry the current the tool will draw. Use of an undersized cord will cause a drop in line voltage resulting in loss of power and overheating. For proper size cords see chart below.

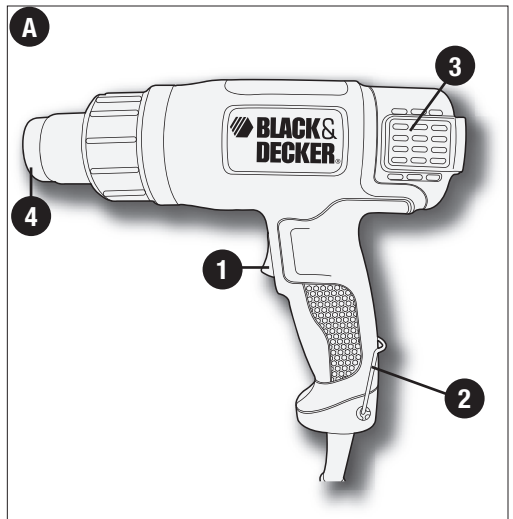
Volts	Minimum Gauge for Cord Sets				
	Total Length of Cord in Feet				
120V	0-25	26-50	51-100	101-150	
	(0-7,6m)	(7,6-15,2m)	(15,2-30,4m)	(30,4-45,7m)	
240V	0-50	51-100	101-200	201-300	
	(0-15,2m)	(15,2-30,4m)	(30,4-60,9m)	(60,9-91,4m)	
Ampere Rating		American Wire Gauge			
More Than	Not more Than				
0 - 6	18	16	16	14	
6 - 10	18	16	14	12	
10 - 12	16	16	14	12	
12 - 16	14	12	Not Recommended		

MOTOR

Be sure your power supply agrees with nameplate marking. 120 Volts AC only means your tool will operate on standard 60 Hz household power. Do not operate AC tools on DC. A rating of 120 volts AC/DC means that you tool will operate on standard 60 Hz AC or DC power. This information is printed on the nameplate. Lower voltage will cause loss of power and can result in over-heating. All Black & Decker tools are factory-tested; if this tool does not operate, check the power supply.

FUNCTIONAL DESCRIPTION

1. Two speed switch
2. Support stand
3. Air vents
4. Hot air nozzle

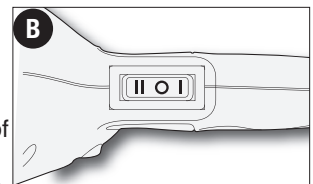


Tool Operation

SWITCH

The position of the switch controls both the fan speed and the heat output of the gun.

- To turn the tool on in low speed, low heat, depress the side of the switch marked "I".
- To turn the tool on in high speed, high heat, depress the side of the switch marked "II".
- To turn the tool off, return the switch to the middle position marked "O".



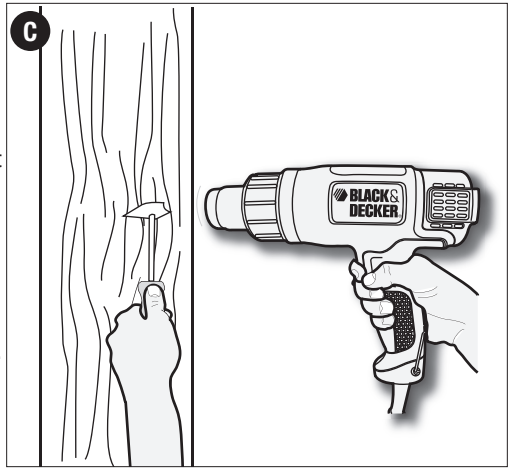
REMOVING PAINT

Efficient paint removal requires the development of technique. Follow the guidelines in this manual and you'll find that you will have mastered the procedure after a few simple projects.

Turn on the tool and hold the nozzle about one inch (25mm) from the surface to be stripped, as shown in **figure C**. (Give the unit about 15-20 seconds running time to reach its full heat potential.) The paint being heated will usually begin to blister when it reaches the proper temperature for stripping. When it reaches this point begin scraping with smooth, even strokes. If the paint is sufficiently hot and the scraper is properly suited to the surface being stripped, the paint should come off in a strip equal to the full width of the scraper. Move the unit slightly ahead of the scraper to assure that the paint being stripped is softened.

Best results will be achieved if the heat gun is moved slowly, but constantly, from side to side to evenly distribute heat. Do not linger or pause in one spot.

Remember that splinters and small particles of stripped paint can be ignited and blown through holes and cracks in the surface being stripped.



HINTS ABOUT PAINT STRIPPING

A smooth, downward scraping action will give good results and will help to prevent gouging the work surface.

With some paints, prolonged heating will actually make them tougher to strip. Try a few different heating times until you develop the technique best suited to your particular application.

The heat gun is designed to remove both oil based and latex based paints. It will not remove stains or primer coats that have impregnated the wood grain.

Scrape paint as soon as it softens, it will soon cool and harden again. Clean the edge of your scraper often to retain a clean, sharp edge. Shield areas adjacent to where you're scraping. For example: shield the door with nonflammable materials if you're stripping the door frame.

Don't concentrate the tool's heat on a window pane or other glass surface. Excessive heat may crack the glass. Use some nonflammable material to shield the glass when stripping the window frame.

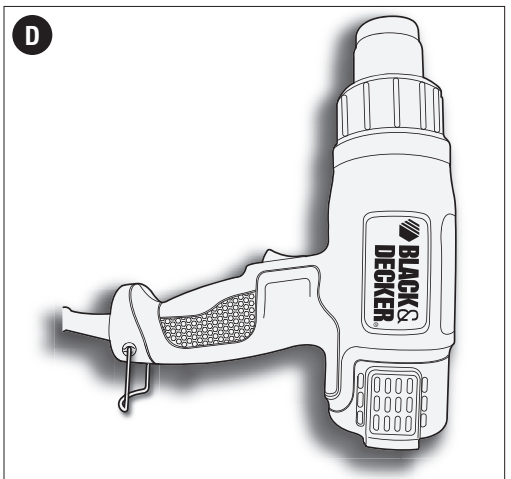
OTHER USES

For hands free operation, use the heat gun stand as shown in **figure D**.

Aside from stripping paint, your heat gun has a wide array of other uses. Use it for softening linoleum and floor tile and for loosening heat sensitive adhesives. It's perfect for use with heat shrinkable tubing and anywhere you need a portable heat source. You can even use it to thaw frozen metal water pipes.

Automotive uses include reducing set up time on body fillers or drying time on paints (the product manufacturer's recommendations must be followed.)

Caution must be exercised around gasoline, automotive fluids, tires, gaskets, upholstery and hoses, etc. to prevent damage or fires. Be constantly aware that this tool can ignite flammable



materials and soften or melt others. Avoid overheating adjacent flammable materials such as wood, insulation, electrical wiring jackets or plastic. Thaw only those metal pipe sections that are fully exposed. Do not attempt to thaw pipes that are inside walls, floors, ceilings, or otherwise enclosed. Do not attempt to thaw pipes that are wrapped in insulation.

MAINTENANCE

Use only mild soap and damp cloth to clean the tool. Never let any liquid get inside the tool; never immerse any part of the tool into a liquid.

IMPORTANT: To assure product SAFETY and RELIABILITY, repairs, maintenance and adjustment (other than those listed in this manual) should be performed by authorized service centers or other qualified service personnel, always using identical replacement parts.

ACCESSORIES

⚠ WARNING: The use of any accessory not recommended for use with this tool could be hazardous. Always unplug the tool before attaching or removing accessories. Do not remove accessory tips until the tool has cooled to room temperature.

TROUBLESHOOTING

PROBLEM

- Unit will not start.

POSSIBLE CAUSE

- Cord not plugged in.
- Circuit fuse is blown.
- Circuit breaker is tripped.
- Cord or switch is damaged.

POSSIBLE SOLUTION

- Plug tool into a working outlet.
- Replace circuit fuse.
(If the product repeatedly causes the circuit fuse to blow, discontinue use immediately and have it serviced at a Black & Decker service center or authorized servicer.)
- Reset circuit breaker.
(If the product repeatedly causes the circuit breaker to trip, discontinue use immediately and have it serviced at a Black & Decker service center or authorized servicer.)
- Have cord or switch replaced at Black & Decker Service Center or Authorized Servicer.

For assistance with your product, visit our website www.blackanddecker.com for the location of the service center nearest you or call the BLACK & DECKER help line at **1-800-544-6986**.

SERVICE INFORMATION

All Black & Decker Service Centers are staffed with trained personnel to provide customers with efficient and reliable power tool service. Whether you need technical advice, repair, or genuine factory replacement parts, contact the Black & Decker location nearest you. To find your local service location, refer to the yellow page directory under "Tools—Electric" or call: **1-800-544-6986** or visit **www.blackanddecker.com**

FULL TWO-YEAR HOME USE WARRANTY

Black & Decker (U.S.) Inc. warrants this product for two years against any defects in material or workmanship. The defective product will be replaced or repaired at no charge in either of two ways.

The first, which will result in exchanges only, is to return the product to the retailer from whom it was purchased (provided that the store is a participating retailer). Returns should be made within the time period of the retailer's policy for exchanges (usually 30 to 90 days after the sale). Proof of purchase may be required. Please check with the retailer for their specific return policy regarding returns that are beyond the time set for exchanges.

The second option is to take or send the product (prepaid) to a Black & Decker owned or authorized Service Center for repair or replacement at our option. Proof of purchase may be required. Black & Decker owned and authorized Service Centers are listed under "Tools-Electric" in the yellow pages of the phone directory.

This warranty does not apply to accessories. This warranty gives you specific legal rights and you may have other rights which vary from state to state or province to province. Should you have any questions, contact the manager of your nearest Black & Decker Service Center. This product is not intended for commercial use.

FREE WARNING LABEL REPLACEMENT: If your warning labels become illegible or are missing, call **1-800-544-6986** for a free replacement.

LATIN AMERICA: This warranty does not apply to products sold in Latin America. For products sold in Latin America, check country specific warranty information contained in the packaging, call the local company or see the website for warranty information.

Imported by
Black & Decker (U.S.) Inc.,
701 E. Joppa Rd.
Towson, MD 21286 U.S.A.



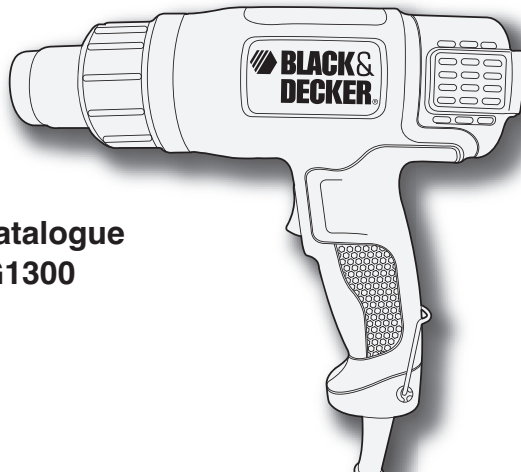
See 'Tools-
Electric'
– Yellow Pages –
for Service &
Sales



BLACK & DECKER®

PISTOLET THERMIQUE

MODE D'EMPLOI



**N° de catalogue
HG1300**

**Merci d'avoir choisi Black & Decker!
Consulter le site Web
www.BlackandDecker.com/NewOwner
pour enregistrer votre nouveau produit.**

À LIRE AVANT DE RETOURNER CE PRODUIT POUR QUELQUE RAISON QUE CE SOIT :

Si des questions ou des problèmes surgissent après l'achat d'un produit Black & Decker,
consulter le site Web

[HTTP://WWW.BLACKANDDECKER.COM/INSTANTANSWERS](http://WWW.BLACKANDDECKER.COM/INSTANTANSWERS)

pour obtenir des réponses instantanément 24 heures par jour.

Si la réponse est introuvable ou en l'absence d'accès à Internet, composer le
1-800-544-6986 de 8 h à 17 h HNE, du lundi au vendredi, pour parler avec un agent.

Prière d'avoir le numéro de catalogue sous la main lors de l'appel.

CONSERVER CE MANUEL POUR UN USAGE ULTÉRIEUR.

⚠ **Avertissements de sécurité et directives importantes :**

- ⚠ **AVERTISSEMENT :** Si des outils électriques sont utilisés, des précautions de base en matière de sécurité doivent toujours être suivies afin de réduire le risque d'incendie, de choc électrique et de blessure corporelle, notamment les suivantes.

LIRE TOUTES CES DIRECTIVES

RÉDUCTION DES RISQUES DE BLESSURES :

- Avant tout usage, s'assurer que tout utilisateur de cet outil lise et comprenne les directives de sécurité ainsi que l'information comprise dans le présent manuel.
- Conserver ces directives et les examiner fréquemment avant d'utiliser l'appareil ou de donner des directives aux autres.

⚠ **AVERTISSEMENTS ET CONSIGNES GÉNÉRALES DE SÉCURITÉ POUR TOUS LES OUTILS**

- **CONSERVER L'ESPACE DE TRAVAIL PROPRE.** Les espaces et les établis encombrés attirent des blessures.
- **ÉTUDIER L'EMPLACEMENT DE L'ESPACE DE TRAVAIL.** Ne pas exposer les outils électriques à la pluie. Ne pas utiliser des outils électriques dans des endroits humides ou détrempés. Bien éclairer l'espace de travail. Ne pas utiliser en présence de liquides ou de gaz inflammables. Les moteurs de ces outils provoquent habituellement des étincelles et ces dernières peuvent enflammer les vapeurs.
- **SE PROTÉGER DES CHOCs ÉLECTRIQUES.** Ne pas toucher à des surfaces mises à la masse. Par exemple : tuyaux, radiateurs, cuisinières, réfrigérateurs. S'assurer de ne pas toucher aux parties métalliques de l'outil lors du perçage, de l'enfoncement, du découpage des murs, planchers ou autres endroits par où peuvent passer des fils électriques avec lesquels l'outil peut entrer en contact. Ne tenir l'outil que par sa poignée en plastique pour ne pas recevoir de choc électrique.
- **ÉLOIGNER LES ENFANTS.** Ne pas laisser les enfants ou les visiteurs toucher à l'outil ou au câble de rallonge. Tous les enfants et les visiteurs doivent être tenus éloignés de l'espace de travail.
- **ENTREPOSER LES OUTILS NON UTILISÉS.** Les outils non utilisés doivent être entreposés dans un endroit sec, élevé et verrouillé – hors de portée des enfants.
- **NE PAS ABUSER LES OUTILS.** Ils effectueront mieux leur travail et de manière plus sécuritaire à la vitesse déterminée.
- **UTILISER LE BON OUTIL.** Ne pas forcer un petit outil ou équipement à exécuter le travail d'un outil à usage industriel. Ne pas utiliser un outil pour un usage auquel il n'est pas destiné.
- **S'HABILLER ADÉQUATEMENT.** Ne pas porter de vêtements amples ni de bijoux. Ils pourraient se prendre dans des pièces mobiles. Il est recommandé de porter des gants résistants pour se protéger les mains et des chaussures antidérapantes lors de travaux à l'extérieur. Se couvrir les cheveux s'ils sont longs.
- **UTILISER DES LUNETTES PROTECTRICES ET AUTRE ÉQUIPEMENT DE SÉCURITÉ.** Utiliser des lunettes protectrices ou de sécurité avec écrans latéraux qui se conforment aux normes applicables de sécurité et, au besoin, un écran facial. Utiliser aussi un masque facial ou antipoussières si le découpage entraîne de la poussière. Ceci s'applique à toutes les personnes se trouvant dans la zone de travail. Selon les besoins, utiliser aussi un casque dur, un dispositif de protection antibruit, des souliers de sécurité et des systèmes de collecte de poussières.
- **NE PAS ENDOMMAGER LE CORDON D'ALIMENTATION.** Ne jamais transporter l'outil par le cordon ou débrancher ce dernier de la prise en tirant dessus. Protéger le cordon de la chaleur, de l'huile ou des rebords coupants.
- **FIXER SOLIDEMENT LA PIÈCE.** Utiliser des serres ou un étau pour maintenir la pièce en place. Ces appareils sont plus sûrs que d'utiliser une main et libèrent les deux mains pour faire fonctionner l'outil.
- **NE PAS TROP ALLONGER LE CORPS.** Garder l'équilibre en tout temps.
- **ENTRETEENIR LES OUTILS AVEC SOIN.** Conserver les outils aiguisés et propres pour obtenir un meilleur rendement. Suivre les consignes de lubrification et de remplacement des accessoires. Vérifier périodiquement les cordons d'alimentation et, s'ils sont endommagés, les faire réparer par une agence de réparation autorisée. Vérifier périodiquement les rallonges et les remplacer si elles sont endommagées. Conserver les poignées sèches, propres et libres d'huile ou de graisse.

- **DÉBRANCHER LES OUTILS.** Débrancher l'outil s'ils ne sont pas utilisés, lors de leur déplacement d'un endroit à un autre, avant leur entretien et lors du remplacement des accessoires (comme dans le cas des lames, mèches ou couteaux) ou de réglages.
- **ENLEVER LES CLÉS DE RÉGLAGE.** S'habituer à vérifier si les clés de réglage sont enlevées de l'outil avant de le faire fonctionner.
- **ÉVITER LE DÉMARRAGE ACCIDENTEL.** Ne pas transporter l'outil en ayant le doigt sur le commutateur. s'assurer que le commutateur est hors service avant de brancher l'outil.
- **RALLONGES POUR USAGE EXTÉRIEUR.** Lors de l'utilisation de l'outil à l'extérieur, n'utiliser que des rallonges pour usage extérieur et qui sont marquées comme tel.
- **GARDER LES YEUX OUVERTS.** Attention au travail effectué. Prendre les précautions élémentaires. Dans le cas de fatigue ou de facultés affaiblies, ne pas faire fonctionner l'outil.
- **VÉRIFIER LES PIÈCES ENDOMMAGÉES.** Avant d'utiliser de nouveau l'outil, vérifier soigneusement si un élément de protection ou une autre pièce est endommagée pour déterminer si l'outil fonctionne correctement et remplit sa fonction prévue. Vérifier l'alignement ou le grippage des pièces mobiles, le bris des pièces, leur montage ou toute autre condition qui peut influencer sur le fonctionnement de l'outil. Un élément de protection ou une autre pièce endommagée doit être réparée ou remplacée par un centre de réparation autorisé. Ne pas utiliser l'outil si le commutateur ne peut le démarrer et l'arrêter.
- **RÉPARATIONS ET ENTRETIEN.** Les réparations, l'entretien et tous les réglages non précisés au présent manuel doivent être effectués par des centres de réparation autorisés Black & Decker ou par d'autres organismes qualifiés en utilisant toujours des pièces de rechange identiques.
- **UTILISATION DES ACCESSOIRES ET ÉQUIPEMENTS.** L'utilisation d'accessoires ou équipements non recommandés pour l'outil peut représenter un danger. Remarque : Consulter la section des accessoires du présent manuel pour obtenir d'autres détails.

LIGNES DIRECTRICES EN MATIÈRE DE SÉCURITÉ - DÉFINITIONS

Il est important que vous lisiez et compreniez ce mode d'emploi. Les informations qu'il contient concernent VOTRE SÉCURITÉ et visent à ÉVITER TOUT PROBLÈME. Les symboles ci-dessous servent à vous aider à reconnaître cette information.

⚠ DANGER : Indique une situation dangereuse imminente qui, si elle n'est pas évitée, causera la mort ou des graves blessures.

⚠ AVERTISSEMENT : Indique une situation potentiellement dangereuse qui, si elle n'est pas évitée, pourrait causer la mort ou de graves blessures.

⚠ MISE EN GARDE : Indique une situation potentiellement dangereuse qui, si elle n'est pas évitée, pourrait causer des blessures mineures ou modérées.

MISE EN GARDE : Utilisé sans le symbole d'alerte à la sécurité, indique une situation potentiellement dangereuse qui, si elle n'est pas évitée, peut résulter en des dommages à la propriété.

Consignes supplémentaires de sécurité

CONSIGNES IMPORTANTES DE SÉCURITÉ AU SUJET DES PISTOLETS THERMIQUES

1. Se rappeler que les endroits cachés comme l'arrière des murs, des plafonds, sous les planchers, les planches de soffite et autres peuvent comporter des matériaux inflammables qui peuvent être enflammés lors du décapage de la peinture. Un tel incendie peut ne pas être facilement détecté et provoquer des dommages considérables ainsi que des blessures. La température de ces pistolets thermiques peut excéder 538°C (1000°F).
2. Ne pas utiliser cet outil comme séchoir à cheveux.
3. Laisser refroidir l'outil avant de l'entreposer.
4. Toujours utiliser des grattoirs et des couteaux de décapage de bonne qualité.
5. Ne jamais obstruer l'entrée d'air ou la buse de sortie.
6. S'assurer de diriger l'air chaud dans une direction sûre, éloignée des gens ou des objets inflammables.
7. Ne pas toucher à la buse métallique qui devient très chaude.

8. Ne pas toucher une surface quelconque avec la buse pendant que l'outil fonctionne ou peu après son fonctionnement.
9. Éviter d'introduire quoi que ce soit dans la buse.
10. Connaître la zone de travail. Se rappeler que les endroits situés à l'arrière des planches de soffite, des plafonds et sous les planchers peuvent comporter des matériaux très inflammables. Vérifier ces endroits avant d'appliquer la chaleur.
11. Après l'utilisation, nettoyer la peinture sèche de la buse; elle pourrait s'enflammer.
12. Nettoyer fréquemment la lame de raclage au cours de l'utilisation; elle pourrait s'enflammer.
13. Ne pas utiliser le pistolet thermique en même temps que des décapants chimiques.
14. Ne pas utiliser les buses accessoires comme grattoirs.
15. Tenir la buse éloignée du cordon d'alimentation.
16. Ne pas utiliser l'outil pour cuire des aliments ou les réchauffer.
17. Toujours être conscient que cet outil peut enflammer les matériaux inflammables et amollir ou en faire fondre d'autres. Peu importe la tâche effectuée, protéger ou se tenir éloigné de ces matériaux qui sont près de la zone de travail.

Après que l'outil est mis hors tension, on peut à l'occasion percevoir une légère fumée. Ceci provient du chauffage de l'huile résiduelle qui a été déposée sur l'élément de chauffage au cours de la fabrication.

AVIS IMPORTANT :

Pour que cet outil soit efficace comme décapant pour peinture, il doit générer des températures extrêmement élevées. Par conséquent, cet outil est en mesure d'enflammer du papier, du bois, de la peinture, des résidus du vernis ainsi que des matériaux semblables.

Le danger d'inflammabilité des matériaux diminue à mesure qu'on connaît l'outil et qu'on met au point une technique de travail appropriée. La pratique est le meilleur moyen d'établir la technique adéquate! Travailler sur des projets simples de décapage, de préférence à l'extérieur, jusqu'à ce qu'on apprenne la façon d'utiliser l'outil de manière sûre et efficace.

Observer les méthodes de sécurité suivantes lors de la pratique :

1. Toujours s'assurer que l'outil est mis hors tension et débranché lorsqu'il est sans surveillance.
2. Nettoyer souvent la lame de raclage au cours de l'utilisation. Les résidus accumulés sur la lame sont très inflammables.
3. Expérimenter pour découvrir la distance optimale de la buse de l'outil à la surface décapée. Cette distance (généralement 25-50 mm) (1-2 po) varie selon le matériau enlevé.
4. En tout temps, déplacer le pistolet thermique à l'avant de la lame de raclage.
5. Pendant le travail, nettoyer les morceaux de peinture qui s'accumulent autour de la zone de travail.
6. Lors d'un travail à l'intérieur, se tenir éloigné des rideaux, des papiers, de l'ameublement et de matériaux inflammables semblables.
7. Toujours se rappeler qu'il s'agit d'un outil électrique sérieux qui est capable de donner d'excellents résultats s'il est bien utilisé. S'exercer sur des projets simples jusqu'à ce qu'on soit à l'aise avec l'outil. Alors seulement aurez-vous maîtrisé la technique adéquate.

⚠ AVERTISSEMENT : S'assurer d'être très prudent lors du décapage de la peinture. Le pelage, les résidus et les émanations de peinture peuvent contenir du plomb qui est poison. Toute peinture antérieure à 1997 peut contenir du plomb et les peintures appliquées aux maisons avant 1950 en contiennent fort probablement. Une fois le plomb déposé sur des surfaces, le contact de la main à la bouche peut résulter en une ingestion de plomb. L'exposition à des niveaux même faibles de plomb peut provoquer des dommages irréversibles au cerveau et au système nerveux; les jeunes enfants ou les enfants à naître sont particulièrement vulnérables.

Avant de commencer à enlever la peinture, on doit déterminer si la peinture contient du plomb. Ceci peut être effectué par le bureau de santé local ou par un professionnel qui utilise

un analyseur de peinture pour vérifier le contenu en plomb de la peinture à enlever. La peinture à base de plomb ne doit être enlevée que par un professionnel et ne doit pas être enlevée à l'aide d'un pistolet thermique.

Les personnes qui enlèvent de la peinture doivent toujours suivre les lignes directrices suivantes :

1. Déplacer la pièce à décaper à l'extérieur. Si cela est impossible, bien ventiler l'espace de travail. Ouvrir les fenêtres et placer un ventilateur d'extraction dans l'une de ces dernières. S'assurer que le ventilateur déplace l'air de l'intérieur vers l'extérieur.
2. Enlever ou couvrir les tapis, le mobilier, les vêtements, les ustensiles de cuisine et les conduits d'air.
3. Poser des toiles de protection dans la zone de travail pour récupérer les éclats ou les pelages de peinture. Porter des vêtements protecteurs comme des chemises de travail supplémentaires, des couvre-vêtements et des casquettes.
4. Travailler dans une pièce à la fois. L'ameublement doit être enlevé ou placé au centre de la pièce et recouvert. Les zones de travail doivent être scellées du reste de l'habitation en posant des toiles de protection dans les entrées de porte.
5. Les enfants, les femmes enceintes ou potentiellement enceintes ainsi que les mères allaitantes ne doivent pas être présents dans la zone de travail jusqu'à ce que le travail soit terminé et l'espace nettoyé complètement.
6. Porter un masque respirateur antipoussières ou un respirateur à double filtre (poussières et émanations) approuvé par le Occupational Safety and Health Administration (OSHA), le National Institute of Safety and Health (NIOSH) ou le United States Bureau of Mines. Ces masques ainsi que leurs filtres remplaçables sont facilement disponibles dans les quincailleries importantes. S'assurer que le masque est bien ajusté. Les barbes et les poils faciaux peuvent empêcher le bon ajustage du masque. Changer souvent les filtres. Les masques de papier jetables ne conviennent pas.
7. Prendre des précautions lors du fonctionnement du pistolet thermique. Garder le pistolet thermique en mouvement car une chaleur excessive génère des émanations qui peuvent être inhalées par l'utilisateur.
8. Conserver les aliments et les breuvages hors de la zone de travail. Se laver les mains, les bras et le visage et se rincer la bouche avant de manger ou de boire. Ne pas fumer ou mâcher de gomme ou de tabac dans la zone de travail.
9. Nettoyer toute la peinture décapée et la poussière en lavant les planchers. Utiliser un linge humide pour nettoyer les murs, les seuils et toutes autres surfaces comportant des poussières de peinture ou autres. Ne pas balayer, épousseter à sec ou passer l'aspirateur. Utiliser un détergent à haute teneur en phosphate ou à phosphate trisodique (TSP) pour laver les endroits en question.
10. À la fin de chaque session de travail, placer les éclats de peinture et les débris dans un sac de plastique double, le refermer à l'aide de ruban ou d'attache torsadée et s'en débarrasser de manière adéquate.
11. Enlever les vêtements protecteurs ainsi que les chaussures de travail dans la zone de travail pour éviter de transporter de la poussière dans le reste de l'habitation. Laver séparément les vêtements de travail. Essuyer les chaussures à l'aide d'un chiffon humide qui est alors lavé avec les vêtements de travail. Se laver les cheveux et le corps à fond avec de l'eau et du savon.

CONSERVER CES CONSIGNES POUR USAGE ULTÉRIEUR

L'étiquette apposée sur votre outil pourrait comprendre les symboles suivants. Les symboles et leurs définitions sont indiqués ci-après :

V	volts	A	ampères
Hz	hertz	W.....	watts
min	minutes	~	courant alternatif
==courant continue	non	régime à vide
☐	Construction classe II	⊕	borne de terre
⚠	symbole d'alerte à la sécurité	.../min	révolutions ou alternance par minute

⚠ AVERTISSEMENT : certains outils électriques, tels que les sableuses, les scies, les meules, les perceuses ou certains autres outils de construction, peuvent produire de la poussière contenant des produits chimiques reconnus par l'État de la Californie comme étant susceptibles d'entraîner le cancer, des malformations congénitales ou pouvant être nocifs pour le système reproductif. Parmi ces produits chimiques, on retrouve :

- le plomb dans les peintures à base de plomb,
- la silice cristalline dans les briques et le ciment et autres produits de maçonnerie,
- l'arsenic et le chrome dans le bois de sciage ayant subi un traitement chimique.

Le risque associé à de telles expositions varie selon la fréquence avec laquelle on effectue ces travaux. Pour réduire l'exposition à de tels produits, il faut travailler dans un endroit bien aéré et utiliser le matériel de sécurité approprié, tel un masque anti-poussières spécialement conçu pour filtrer les particules microscopiques.

• **Éviter tout contact prolongé avec la poussière soulevée par cet outil ou autres outils électriques. Porter des vêtements de protection et nettoyer les parties exposées du corps avec de l'eau savonneuse.** S'assurer de bien se protéger afin d'éviter d'absorber par la bouche, les yeux ou la peau des produits chimiques nocifs.

⚠ AVERTISSEMENT : Cet outil peut produire et répandre de la poussière susceptible de causer des dommages sérieux et permanents au système respiratoire. Toujours utiliser un appareil respiratoire anti-poussières approuvé par le NIOSH ou l'OSHA. Diriger les particules dans le sens opposé du visage et du corps.

⚠ AVERTISSEMENT : TOUJOURS porter des lunettes de sécurité. Les lunettes de vue ne constituent PAS des lunettes de sécurité. Utiliser également un masque facial ou anti-poussière si l'opération de découpe génère de la poussière. TOUJOURS PORTER UN ÉQUIPEMENT DE PROTECTION HOMOLOGUÉ :

- protection oculaire conforme à la norme ANSI Z87.1 (CAN/CSA Z94.3);
- protection auditive ANSI S12.6 (S3.19);
- protection des voies respiratoires conformes aux normes NIOSH/OSHA/MSHA.

CORDONS DE RALLONGE

S'assurer que le cordon de rallonge est en bon état avant de s'en servir. Toujours utiliser un cordon de calibre approprié selon la longueur du cordon et la tension nécessaire au fonctionnement de l'outil. L'utilisation d'un cordon de calibre inférieur occasionne une baisse de tension entraînant une perte de puissance et la surchauffe. Le tableau suivant indique le calibre approprié pour les cordons.

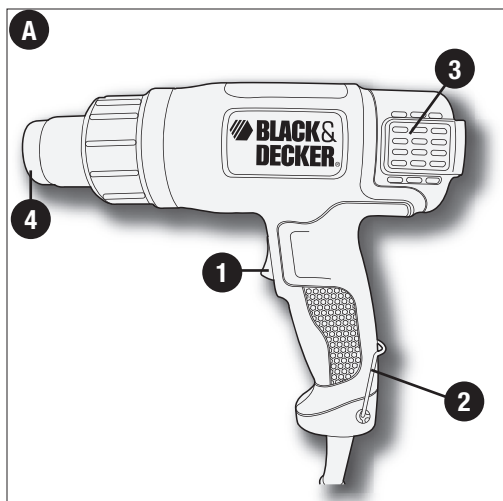
Calibre minimal des cordons de rallonge						
Tension	Longueur totale du cordon en pieds					
120V	0-25	26-50	51-100	101-150		
	(0-7,6m)	(7,6-15,2m)	(15,2-30,4m)	(30,4-45,7m)		
240V	0-50	51-100	101-200	201-300		
	(0-15,2m)	(15,2-30,4m)	(30,4-60,9m)	(60,9-91,4m)		
Intensité (A)		Calibre moyen des fils (AWG)				
Au moins	Au plus					
0	- 6	18	16	16	14	
6	- 10	18	16	14	12	
10	- 12	16	16	14	12	
12	- 16	14	12	Non recommandé		

MOTEUR

Un moteur Black & Decker alimente l'outil Black & Decker. Veiller à ce que la tension d'alimentation soit conforme aux exigences de la plaque signalétique de l'outil. La mention «120 volts c.a. seulement» signifie que l'outil fonctionne s'il est branché dans une prise domestique standard de 60 Hz. Ne pas utiliser les outils à tension secteur sur du courant continu. La mention «120 volts c.a./c.c.» signifie que l'outil fonctionne sur du courant alternatif ou sur du courant continu. Ces renseignements sont imprimés sur la plaque signalétique de l'outil. Une tension inférieure entraîne une baisse de puissance et peut causer la surchauffe de l'outil. Tous les outils Black & Decker sont essayés avant de quitter l'usine. Lorsque celui-ci refuse de fonctionner, vérifier la source de courant électrique.

DESCRIPTION FONCTIONNELLE

1. Interrupteur à deux vitesses
2. Béquille-support
3. Évents
4. Buse à air chaud

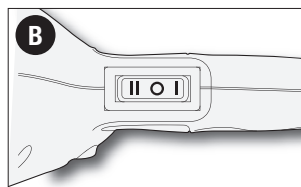


Fonctionnement de l'outil

COMMUTATEUR

La position de l'interrupteur commande à la fois la vitesse du ventilateur et la puissance calorifique du pistolet.

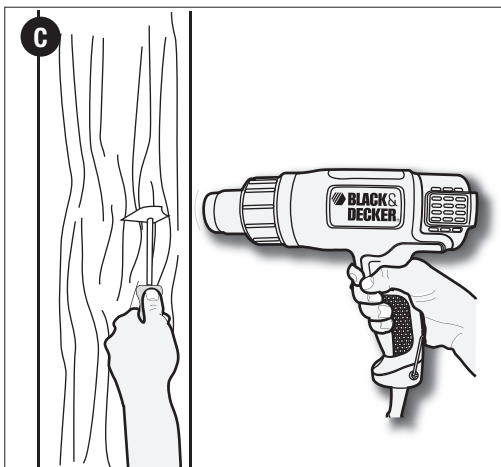
- Pour régler l'outil à basse vitesse et à basse température, enfoncer la partie latérale de l'interrupteur arborant la lettre « I ».
- Pour régler l'outil à haute vitesse et à température élevée, enfoncer la partie latérale de l'interrupteur arborant les lettres « II ».
- Pour éteindre l'outil, remettre l'interrupteur à la position centrale arborant la lettre « O ».



DÉCAPAGE DE LA PEINTURE

Le décapage efficace de la peinture exige la mise au point d'une technique. Suivre les lignes directrices du présent manuel. Après quelques projets simples, on en maîtrise la façon de faire.

Mettre l'outil en marche et tenir la buse à environ un pouce de la surface à décaper, comme l'illustre la **figure C**. (Laisser à l'outil de 15 à 20 secondes pour atteindre sa chaleur maximale). La peinture chauffée commence habituellement à cloquer lorsque l'outil atteint la température de décapage adéquate. Lorsque l'outil en est arrivé à ce point, commencer à racler par coups souples et uniformes. Si la peinture est suffisamment chaude et que le racloir est adéquat pour la surface à décaper, la peinture doit se détacher sur la pleine largeur du racloir.



Déplacer l'outil légèrement à l'avant du racloir pour s'assurer d'amollir la peinture.

Pour obtenir des résultats optimaux, il vaut mieux déplacer le pistolet thermique lentement, mais de manière constante, et latéralement afin de bien répartir la chaleur. Ne pas s'attarder à un endroit.

Se rappeler que les éclats et les petites particules de peinture décapée peuvent s'enflammer et être soufflés dans des trous et des fissures de la surface décapée.

CONSEILS SUR LE DÉCAPAGE DE LA PEINTURE

Un raclage uniforme vers le bas donne de bons résultats et aide à ne pas entailler la surface de travail.

Dans le cas de certaines peintures, un chauffage prolongé les rend plus difficiles à décaper. Essayer des durées de chauffage différentes jusqu'à ce qu'on soit en mesure de mettre au point la technique la mieux adaptée à une application particulière.

Le pistolet est conçu pour enlever les peintures à base d'huile et au latex.

Il n'éliminera pas les taches ni les couches de peinture de fond qui ont imprégné le grain du bois.

Racler la peinture aussitôt qu'elle a ramolli car elle se refroidit et se durcit rapidement de nouveau.

Nettoyer souvent le rebord du racloir pour le maintenir propre et coupant.

Protéger les zones adjacentes au décapage. Par exemple : protéger la porte à l'aide de matériaux ininflammables si on décape le cadre de porte.

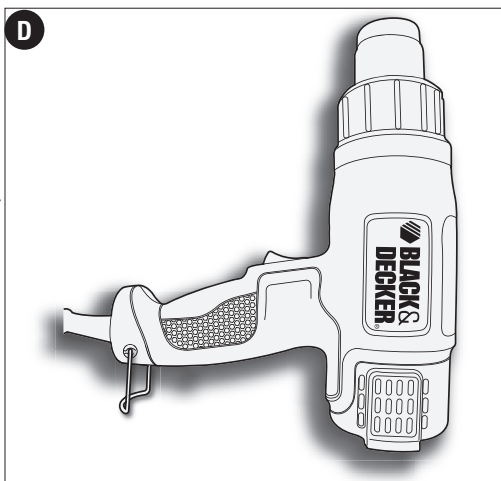
Ne pas concentrer la chaleur de l'outil sur la vitre d'une fenêtre ou sur une autre surface en verre. Une chaleur excessive peut faire éclater le verre. Utiliser un matériau ininflammable pour protéger le verre lors du décapage du cadre de fenêtre.

AUTRES UTILISATIONS

Pour une utilisation mains libres, employer le socle pour pistolet thermique illustré à la **figure D**.

En plus de décaper la peinture, le pistolet thermique possède une vaste gamme d'utilisations. Utiliser l'outil pour amollir le linoléum et les carreaux de plancher ainsi que pour décoller les adhésifs sensibles à la chaleur. Il est d'un emploi parfait avec des tubes thermorétractibles et partout où on a besoin d'une source de chaleur portable. On peut même l'utiliser pour dégeler des tuyaux d'eau en métal.

Dans le domaine automobile, on peut l'utiliser pour réduire le temps de prise des mastics de finition ou le temps de séchage des peintures (on doit se conformer aux recommandations du fabricant du produit).



Faire preuve de prudence en présence d'essence, de liquides automobiles, de pneus, de joints d'étanchéité, de garniture souple, de flexibles, etc. afin d'éviter tout dommage ou incendie. Être conscient en tout temps que cet outil peut enflammer les matières inflammables et en ramollir ou en faire fondre d'autres. Éviter de surchauffer les matières inflammables à proximité, comme le bois, les isolants, les gaines de fils électriques ou le plastique. Dégeler uniquement les sections de tuyau métallique qui sont entièrement exposées. Ne pas dégeler les tuyaux qui se trouvent à l'intérieur des murs, des planchers, des plafonds ou dans tout endroit fermé. Ne pas dégeler les tuyaux enveloppés d'isolant.

ENTRETIEN

N'utiliser qu'un savon doux et un linge humide pour nettoyer l'outil. Ne jamais laisser pénétrer de liquide à l'intérieur de l'outil; ne jamais immerger une partie de l'outil dans un liquide.

IMPORTANT : Pour assurer la **SÉCURITÉ** et la **FIABILITÉ** du produit, les réparations, l'entretien et l'ajustement doivent en être effectué par des centres de réparation autorisés ou d'autres organismes compétent de réparation en utilisant toujours des pièces de rechange identiques.

ACCESSOIRES

⚠ **AVERTISSEMENT** : L'utilisation de tout accessoire non recommandé avec cet outil pourrait s'avérer dangereuse. Toujours débrancher l'outil avant de fixer ou de déposer un accessoire. Ne pas enlever les embouts avant que l'outil n'ait refroidi à la température ambiante.

DÉPANNAGE

Problème

- L'appareil refuse de démarrer.

Cause possible

- Cordon d'alimentation non branché.
- Le fusible du circuit est grillé.
- Le disjoncteur est déclenché.
- Le cordon d'alimentation ou la prise de courant est endommagé(e).

Solution possible

- Brancher l'outil dans une prise qui fonctionne.
- Remplacer le fusible du circuit. (Si le produit fait griller de façon répétée le fusible du circuit, arrêter immédiatement d'utiliser le produit et le faire réparer dans un centre de réparation Black & Decker ou un centre de réparation autorisé.)
- Remettre le disjoncteur à zéro. (Si le produit fait déclencher de façon répétée le disjoncteur, arrêter immédiatement d'utiliser le produit et le faire réparer dans un centre de réparation Black & Decker ou un centre de réparation autorisé.)
- Faire remplacer le cordon ou l'interrupteur au centre de réparation Black & Decker ou à un centre de réparation autorisé.

Pour obtenir de l'aide avec l'outil, consulter notre site Web www.blackanddecker.com pour l'emplacement du centre de réparation le plus près ou communiquer avec l'assistance **BLACK & DECKER** au **1-800-544-6986**.

INFORMATION SUR LES RÉPARATIONS

Tous les centres de réparation Black & Decker sont dotés de personnel qualifié en matière d'outillage électrique; ils sont donc en mesure d'offrir à leur clientèle un service efficace et fiable. Que ce soit pour un avis technique, une réparation ou des pièces de rechange authentiques installées en usine, communiquer avec l'établissement Black & Decker le plus près de chez vous. Pour trouver l'établissement de réparation de votre région, consulter le répertoire des Pages jaunes à la rubrique « Outils électriques » ou composer le numéro suivant : **1-800-544-6986** ou consulter le site www.blackanddecker.com

GARANTIE COMPLÈTE DE DEUX ANS POUR UNE UTILISATION DOMESTIQUE

Black & Decker (É.-U.) Inc. garantit ce produit pour une durée de deux ans contre tout défaut de matériau ou de fabrication. Le produit défectueux sera remplacé ou réparé sans frais de l'une des deux façons suivantes :

La première façon consiste en un simple échange chez le détaillant qui l'a vendu (pourvu qu'il s'agisse d'un détaillant participant). Tout retour doit se faire durant la période correspondant à la politique d'échange du détaillant (habituellement, de 30 à 90 jours après l'achat). Une preuve d'achat peut être requise. Vérifier auprès du détaillant pour connaître sa politique concernant les retours hors de la période définie pour les échanges.

La deuxième option est d'apporter ou d'envoyer le produit (transport payé d'avance) à un centre de réparation autorisé ou à un centre de réparation de Black & Decker pour faire réparer ou échanger le produit, à notre discrétion. Une preuve d'achat peut être requise. Les centres Black & Decker et les centres de service autorisés sont répertoriés dans les pages jaunes, sous la rubrique « Outils électriques ».

Cette garantie ne s'applique pas aux accessoires. Cette garantie vous accorde des droits légaux spécifiques et vous pourriez avoir d'autres droits qui varient d'un État ou d'une province à l'autre. Pour toute question, communiquer avec le directeur du centre de réparation Black & Decker le plus près de chez vous. Ce produit n'est pas destiné à un usage commercial.

REPLACEMENT GRATUIT DES ÉTIQUETTES D'AVERTISSEMENT : si les étiquettes d'avertissement deviennent illisibles ou sont manquantes, composer le **1-800-544-6986** pour en obtenir le remplacement gratuit.

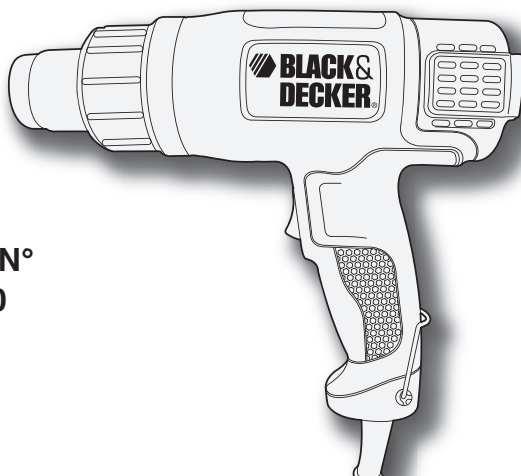
Imported by / Importé par
Black & Decker Canada Inc.
100 Central Ave.
Brockville (Ontario) K6V 5W6

Voir la rubrique "Outils électriques"
des Pages Jaunes
pour le service et les ventes.





PISTOLA DE AIRE CALIENTE MANUAL DE INSTRUCCIONES



Catálogo N°
HG1300

**Gracias por elegir Black & Decker!
Visite www.BlackandDecker.com/NewOwner
para registrar su nuevo producto.**

LEA EL MANUAL ANTES DE DEVOLVER ESTE PRODUCTO POR CUALQUIER MOTIVO:

Si tiene una consulta o algún inconveniente con su producto Black & Decker, visite
[HTTP://WWW.BLACKANDDECKER.COM/INSTANTANSWERS](http://www.blackanddecker.com/instantanswers)
para obtener respuestas instantáneas las 24 horas del día.

Si no encuentra la respuesta o no tiene acceso a Internet, llame al 1-800-544-6986 de
lunes a viernes de 8 a.m. a 5 p.m. hora del Este para hablar con un agente.

Cuando llame, tenga a mano el número de catálogo.

CONSERVE ESTE MANUAL PARA FUTURAS CONSULTAS.

⚠ Instrucciones y advertencias de seguridad importantes.

- ⚠ **ADVERTENCIA:** Al utilizar herramientas eléctricas, siempre se deben tomar ciertas precauciones básicas de seguridad para minimizar el riesgo de incendio, descarga eléctrica y lesiones personales, incluyendo las siguientes:

LEA TODAS LAS INSTRUCCIONES

PARA REDUCIR EL RIESGO DE LESIONES:

- Antes de todo uso, asegúrese de que todas las personas que utilicen esta herramienta hayan leído y comprendido todas las instrucciones de seguridad y cualquier otra información incluida en este manual.
- Conserve estas instrucciones y revíselas con frecuencia antes del uso y al instruir a otras personas.

⚠ INSTRUCCIONES Y ADVERTENCIAS GENERALES PARA TODAS LAS HERRAMIENTAS

- **MANTENGA SU ÁREA DE TRABAJO LIMPIO.** Los bancos y áreas abarrotadas propician accidentes.
- **CONSIDERE EL ENTORNO DEL ÁREA DE TRABAJO.** No exponga las herramientas eléctricas a la lluvia. No use herramientas eléctricas en sitios húmedos o mojados. Mantenga el área bien iluminada. No las utilice en presencia de líquidos o gases inflamables. Es normal que los motores de estas herramientas generen chispas, las cuales pueden originar la ignición de los vapores.
- **PROTÉJASE CONTRA ELECTROCHOQUES.** Prevenga contacto corporal con superficies a tierra. Por ejemplo, tubos, radiadores, cocinas y cubiertas de refrigeradoras. Use precaución extrema al taladrar, atornillar, o hacer cortes en paredes, pisos, cielorrasos u otras áreas o donde pueda hacer contacto con cables eléctricamente activados; no toque ninguna parte metálica de la herramienta. Sujete las herramientas solamente por el mango plástico para prevenir un electrochoque.
- **MANTENGA A LOS NIÑOS ALEJADOS.** No permita que niños o visitantes toquen la herramienta o el cable de extensión. Los niños y visitantes deben mantenerse alejados del área de trabajo.
- **GUARDE HERRAMIENTAS SIN UTILIZAR.** Cuando no están en uso, las herramientas deben guardarse en un lugar seco, en alto o bajo llave, fuera del alcance de los niños
- **NO FUERCE LA HERRAMIENTA.** Esto le permitirá ejecutar mejor el trabajo al ritmo para el cual ha sido diseñada.
- **USE LA HERRAMIENTA CORRECTA.** No fuerce una herramienta o accesorio pequeño a ejecutar un trabajo de una de trabajo pesado. No utilice la herramienta para fines no diseñados.
- **USE LA VESTIMENTA ADECUADA.** No use ropa holgada ni joyas. Pueden enredarse en las piezas móviles. Al trabajar en exteriores, se recomienda utilizar guantes de alta resistencia para proteger las manos y calzado antideslizante. Utilice protección que cubra y recoja el cabello largo.
- **UTILICE GAFAS DE SEGURIDAD U OTRO TIPO DE PROTECCIÓN.** Use gafas de seguridad o las que vienen con protectores laterales, a fin de cumplir con las normas de seguridad vigentes, y de ser necesario, use una careta de soldador. Use también una máscara contra el polvo si la operación es polvorienta. Esto aplica a todas las personas en el área de trabajo. Utilice también un casco, protección auditiva, guantes, zapatos de seguridad y sistemas de recolección de polvo cuando esto sea requerido o necesario.
- **NO MALTRATE EL CABLE.** Nunca tome la herramienta por el cable ni le dé un tirón para desconectarla. Mantenga el cable alejado del calor, del aceite y de bordes afilados.
- **SUJETE BIEN LA PIEZA DE TRABAJO.** Use prensas de banco o sujetadores para fijar la pieza. Es más seguro que emplear las manos y las libera para operar la herramienta.
- **NO SE INCLINE DEMASIADO.** Conserve siempre los pies bien apoyados, al igual que su equilibrio.
- **LAS HERRAMIENTAS DEBEN RECIBIR UN MANTENIMIENTO CUIDADOSO.** Mantenga las herramientas para corte afiladas y limpias para óptimo rendimiento y protección. Siga las instrucciones para lubricación y cambio de accesorios. Inspeccione los cables de la herramienta periódicamente y de estar dañados, hágalos reparar por un centro de servicio autorizado. Inspeccione periódicamente los cables de extensión y repóngalos si están dañados. Mantenga las manijas secas, limpias y libres de aceite y grasa.

- **DESCONECTE LAS HERRAMIENTAS.** Desconecte la herramienta cuando no está en uso, al moverlas de un lado a otro, antes de darle servicio, y cuando cambia accesorios (tales como hojas, brocas, cortadores) o al hacer ajustes.
- **QUITE LAS LLAVES DE AJUSTE.** Habitúese a verificar que las llaves de ajuste han sido removidas de la herramienta antes de prenderla.
- **EVITE EL ARRANQUE ACCIDENTAL.** No transporte la herramienta con el dedo en el interruptor. Asegúrese que el interruptor está apagado al enchufar la herramienta.
- **CABLE DE EXTENSIÓN PARA EXTERIORES.** Cuando la herramienta se usa afuera, sólo use cables de extensión para exteriores marcados para este propósito.
- **MANTÉNGASE ALERTA.** Concéntrese en lo que está haciendo y recurra al sentido común. No utilice la herramienta si se encuentra fatigado o afectado de alguna forma.
- **VERIFIQUE SI HAY PARTES DAÑADAS.** Antes de continuar usando la herramienta, se debe inspeccionar cuidadosamente el protector u otra parte que está dañada para determinar si la misma va a operar adecuadamente y funcionar como es debido. Verifique el alineamiento de piezas móviles, si éstas están atascadas, partes averiadas, el montaje, y toda otra condición que pueda afectar la operación de la herramienta. Un protector u otra parte que se haya dañado debe ser reparado o reemplazado por un centro de servicio autorizado. No use la herramienta si el interruptor no se prende y se apaga.
- **REPARACIONES Y SERVICIO.** Reparaciones, mantenimiento o ajustes no especificados en este manual deberán ser ejecutados por los centros de servicio autorizados Black & Decker u otras organizaciones de servicio calificados, utilizando siempre piezas de repuestos originales.
- **USO DE ACCESORIOS.** El uso de todo accesorio no recomendado para usar con esta herramienta puede ser peligroso. Nota: Vea la sección de accesorios de este manual para mayor detalle.

PAUTAS DE SEGURIDAD/DEFINICIONES

Es importante que lea y comprenda este manual. La información que contiene se relaciona con la protección de SU SEGURIDAD y la PREVENCIÓN DE PROBLEMAS. Los símbolos que siguen se utilizan para ayudarlo a reconocer esta información.

⚠ PELIGRO: indica una situación de peligro inminente que, si no se evita, provocará la muerte o lesiones graves.

⚠ ADVERTENCIA: indica una situación de peligro potencial que, si no se evita, provocará la muerte o lesiones graves.

⚠ PRECAUCIÓN: indica una situación de peligro potencial que, si no se evita, provocará lesiones leves o moderadas.

PRECAUCIÓN: utilizado sin el símbolo de alerta de seguridad indica una situación de peligro potencial que, si no se evita, puede provocar daños en la propiedad.

Instrucciones de seguridad adicionales

INSTRUCCIONES DE SEGURIDAD IMPORTANTES PARA PISTOLAS DE AIRE CALIENTE

1. Recuerde que las áreas ocultas, como las ubicadas detrás de paredes, cielorrasos, intradós y otros paneles pueden contener material inflamable que podría hacer ignición accidentalmente al quitar la pintura del panel. Este tipo de incendio no será visible de inmediato, y podría causar considerables daños y riesgo de lesión. Estas pistolas de calor pueden producir temperaturas superiores a 538 °C (1000 °F).
2. No use esta herramienta como una secadora de pelo.
3. Deje que la herramienta se enfríe antes de guardarla.
4. Use siempre espátulas de raspado y raspadores de papeles de buena calidad.
5. Nunca obstruya la entrada de aire o salida de aire de la boquilla.
6. Asegúrese de dirigir el aire caliente en una dirección segura; alejado de otras personas y objetos inflamables.
7. Mantenga los dedos alejados de la boquilla de metal; ésta se pone muy caliente.
8. No toque ninguna superficie con la boquilla mientras la pistola funciona o por corto tiempo después de funcionar.

9. Evite meter cualquier objeto dentro de la boquilla.
10. Conozca su entorno de trabajo. Recuerde que las áreas detrás de los plafones, intradós, cielorrasos y pisos pueden contener material altamente inflamable. Verifique estas áreas antes de aplicar aire caliente.
11. Limpie la pintura seca de la boquilla después de su uso; podría hacer ignición.
12. Limpie su raspador con frecuencia; podría incendiarse.
13. No utilice la pistola de aire caliente en combinación con quitapinturas químicos.
14. No use las boquillas accesorias como raspadores.
15. Mantenga la boquilla alejada del cable.
16. No utilice la unidad para cocinar ni calentar comida.
17. Esté todo el tiempo consciente de que esta herramienta puede encender materiales inflamables y ablandar o derretir otros. Independientemente de la labor que esté desempeñando, proteja o manténgase alejado de este tipo de materiales cercanos al área de trabajo.

Usted podrá notar que la pistola humea levemente de vez en cuando después de haberla apagado. Esto proviene del calentamiento del aceite residual que se depositó sobre los elementos calefactores durante el proceso de fabricación.

AVISO IMPORTANTE:

Para que esta herramienta sea un quitapinturas efectivo, debe producir temperaturas extremadamente altas. En consecuencia, la pistola de aire caliente es capaz de encender papeles, madera, residuos de pintura y barniz, y materiales similares.

A medida que usted se familiarice con la herramienta y desarrolle la técnica apropiada, el peligro de encendido accidental se reducirá en alto grado. Al establecer la técnica apropiada, lo mejor que usted puede hacer es ¡practicar! Emprenda, al aire libre preferiblemente, sus proyectos para quitar material hasta que usted obtenga una noción satisfactoria de cómo usar la pistola de aire caliente en forma segura y efectiva.

Mientras se ejercita, siga estos procedimientos de seguridad:

1. Asegúrese siempre de que la herramienta está apagada y desconectada si la va a dejar sin supervisión.
2. Limpie la hoja del raspador frecuentemente. El residuo acumulado en la hoja es altamente inflamable.
3. Experimente hasta encontrar la distancia óptima desde la boquilla de la herramienta hasta la superficie a eliminar. Esta distancia (por lo general 1-2 pulgadas) variará dependiendo del material a quitar.
4. Mantenga siempre la pistola delante de la hoja del raspador conforme el trabajo va progresando.
5. Limpie los pedazos de pintura que se van soltando a medida que se van acumulando en el área de trabajo.
6. Cuando trabaje dentro de la casa, manténgase alejado de cortinas, papeles, objetos tapizados y material inflamable similar.
7. Sobre todo, recuerde que esta es una herramienta eléctrica respetable, capaz de producir resultados excelentes si se usa adecuadamente. Practique en proyectos sencillos hasta que se sienta confortable con su pistola de aire caliente. Sólo entonces habrá logrado la técnica apropiada.

⚠️ ADVERTENCIA: Se debe ser cuidadoso en extremo al quitar la pintura. Las desconchaduras, residuos y vapores de la pintura pueden contener plomo, el cual es tóxico. Toda pintura que data de antes de 1977 puede contener plomo y la pintura que se utilizó en los hogares antes de 1950 muy probablemente contengan plomo. Una vez que éste se deposita en las superficies, el contacto de la mano a la boca puede resultar en ingestión de plomo. Hasta el estar expuesto a niveles bajos de plomo puede causar daños irreversibles al cerebro y sistema nervioso; los niños pequeños y en gestación son los más vulnerables.

Antes de comenzar todo proceso de eliminación de pintura usted debe determinar si la misma contiene plomo. Esto lo puede hacer el departamento de salud local o un profesional que use un analizador de pintura para verificar el contenido de plomo de la pintura a quitar. **Las pinturas a base de plomo deben ser quitadas únicamente por un profesional, y no se deben quitar mediante una pistola de aire caliente.**

Toda persona que vaya a quitar la pintura siempre debe seguir estas pautas:

1. Efectúe la labor afuera. Si esto no es posible, mantenga el área de trabajo bien ventilado. Abra las ventanas y ponga un ventilador aspirante en una de ellas. Asegúrese de que el ventilador mueve al aire de adentro hacia afuera.
2. Quite o cubra todas las alfombras, muebles, vestimenta, utensilios de cocina, y conductos de aire.
3. Coloque paños protectores en el área de trabajo para atrapar todos los pedacitos o desconchaduras de pintura. Use vestimenta protectora tal como camisas de trabajo adicionales, overoles y sombreros.
4. Trabaje en un cuarto a la vez. El mobiliario, etc., deberá colocarse en el centro de la habitación y cubrirse. Las áreas de trabajo deben cerrarse por completo del resto de la vivienda con paños de protección.
5. Los niños, mujeres embarazadas o potencialmente embarazadas, así como madres que amamantan, no deben estar presentes en el área de trabajo hasta que la labor esté hecha y se haya limpiado todo por completo.
6. Use una máscara anti-polvo o una de filtro dual (polvo y vapores) que haya sido aprobada por la Administración de Salud y Seguridad Laboral (OSHA), Instituto Nacional de Seguridad y Salud (NIOSH), o el Depto. de Minas de los Estados Unidos. Estas máscaras con sus filtros reemplazables se consiguen fácilmente en todas las ferreterías principales. Verifique que la máscara quede bien ajustada. La barba y vello facial podría impedir que la máscara quede bien sellada. Cambie los filtros a menudo. Las máscaras desechables de papel no son adecuadas.
7. Sea precavido al operar la pistola de aire caliente. Manténgala en movimiento ya que el calor excesivo generará vapores que pueden ser inhalados por el operador.
8. Mantenga las comidas y bebidas alejados del área de trabajo. Lávese las manos, brazos y cara y enjuáguese la boca antes de comer o beber. No fume ni masque goma o tabaco en el área de trabajo.
9. Recoja y limpie los pisos de toda la pintura que ha sido removida con trapo o mopa húmeda. Use un paño húmedo para limpiar todas las paredes, marcos, y toda otra superficie donde el polvo se haya pegado. No barra, no haga limpieza en seco para eliminar polvo ni aspire. Utilice un detergente alto en fosfatos o de fosfato trisódico (TSP) para lavar y trapear las áreas.
10. Al final de cada sesión de limpieza ponga los pedacitos de pintura y escombros en una bolsa de plástico doble, ciérrela con cinta adhesiva o ligaduras y deshágase de estos residuos en forma apropiada.
11. Quítese la vestimenta protectora y zapatos de trabajo en la misma área donde hace el trabajo para evitar que arrastre polvo dentro del resto de la vivienda. Lave la ropa de trabajo por separado. Limpie los zapatos con un trapo húmedo que luego se lava con la ropa de trabajo. Lávese el pelo y el cuerpo a conciencia con agua y jabón.

La etiqueta de su herramienta puede incluir los siguientes símbolos.

V	voltios	A	amperios
Hz	hertz	W	vatios
min	minutos	~	corriente alterna
— — —	corriente continua	n _o	no velocidad sin carga
☐	Construcción de clase II	⊕	terminal a tierra
⚠	símbolo de alerta de seguridad	.../min	revoluciones o reciprocidad por minuto

⚠ **ADVERTENCIA:** parte del polvo producido por las herramientas eléctricas al lijar, aserrar, esmerilar, taladrar y realizar otras actividades de la construcción, contiene productos químicos reconocidos por el Estado de California como causantes de cáncer, defectos de nacimiento u otros problemas reproductivos. Algunos de estos productos químicos son:

- el plomo de las pinturas de base plomo,
- la sílice cristalina de ladrillos, el cemento y otros productos de mampostería, y
- el arsénico y el cromo de la madera con tratamiento químico.

El riesgo derivado de estas exposiciones varía según la frecuencia con la que se realice este tipo de trabajo. Para reducir la exposición a estos productos químicos: trabaje en áreas bien ventiladas y trabaje con equipos de seguridad aprobados, como las máscaras para polvo especialmente diseñadas para filtrar las partículas microscópicas.

- **Evite el contacto prolongado con el polvo proveniente del lijado, aserrado, amolado y taladrado eléctrico y otras actividades de construcción. Use vestimenta protectora y lave todas las áreas expuestas con agua y jabón.** De entrar polvo en sus ojos, boca, o que este permanezca sobre su piel puede promover la absorción de químicos dañinos.

⚠ **ADVERTENCIA:** El uso de esta herramienta puede generar y/o dispersar el polvo, el cual puede ocasionar lesión respiratoria u otro tipo de lesión grave y permanente. Utilice siempre protección respiratoria NIOSH/OSHA apropiada para la exposición al polvo. Dirija las partículas lejos de su cara o su cuerpo.

⚠ **ADVERTENCIA:** USE SIEMPRE LENTES DE SEGURIDAD. Los anteojos de uso diario NO son lentes de seguridad. Utilice también máscaras faciales o para polvo si el corte produce polvillo. UTILICE SIEMPRE EQUIPOS DE SEGURIDAD CERTIFICADOS:

- *Protección para los ojos según la norma ANSI Z87.1 (CAN/CSA Z94.3)*
- *Protección auditiva según la norma ANSI S12.6 (S3.19)*
- *Protección respiratoria según las normas NIOSH/OSHA/MSHA*

USO DE CABLES DE EXTENSIÓN

Asegúrese que el cable de extensión esté en buenas condiciones. Use siempre el tamaño adecuado de los cables de extensión con la herramienta — o sea, el tamaño de cable adecuado para los distintos largos de cable y que sea lo suficientemente “pesado” para transportar la corriente que su producto va a extraer. Un cable de tamaño insuficiente causará una caída en la línea de voltaje resultando en pérdida de energía y recalentamiento. Para el tamaño de cable correcto vea la tabla a continuación.

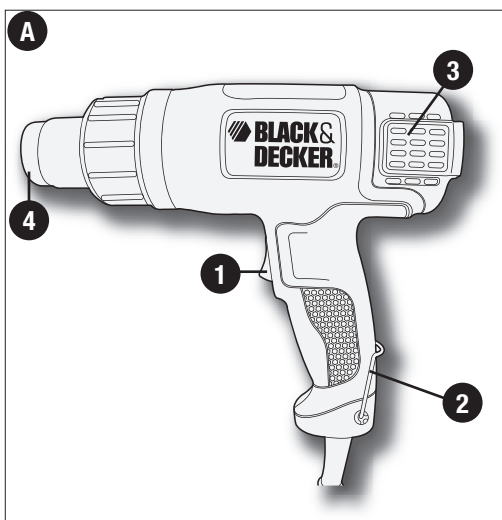
Calibre mínimo para cables de extensión					
Volts	Longitud total del cable en pies				
120V	0-25	26-50	51-100	101-150	
	(0-7,6m)	(7,6-15,2m)	(15,2-30,4m)	(30,4-45,7m)	
240V	0-50	51-100	101-200	201-300	
	(0-15,2m)	(15,2-30,4m)	(30,4-60,9m)	(60,9-91,4m)	
Amperaje					
	Más de	No más de	American Wire Gage		
0	- 6	18	16	16	14
6	- 10	18	16	14	12
10	- 12	16	16	14	12
12	- 16	14	12	No se recomienda	

MOTOR

Verifique que su suministro de corriente concuerde con el marcaje de la placa de datos. 120 Voltios de corriente alterna (AC) solo indica que su herramienta operará con corriente casera estándar de 60 Hz. No opere herramientas de corriente alterna (AC) con corriente directa (DC). Una potencia de régimen de 120 voltios AC/DC significa que su herramienta operará con corriente estándar de 60 Hz AC o DC. Esta información está impresa en la placa de datos. Un voltaje menor ocasionará pérdida de corriente y puede resultar en recalentamiento. Todas las herramientas Black & Decker se prueban en fábrica; si esta herramienta no funciona, verifique el suministro de corriente.

DESCRIPCIÓN DE LAS FUNCIONES

1. Interruptor de dos velocidades
2. Base de apoyo
3. Orificios de ventilación
4. Boquilla de aire caliente

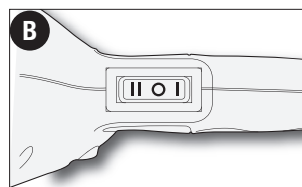


Operación de la herramienta

CONMUTADOR

La posición del interruptor controla la velocidad del ventilador y la salida de calor de la pistola.

- Para encender la herramienta en velocidad baja y calor bajo, oprima el costado del interruptor marcado con "I".
- Para encender la herramienta en velocidad alta y calor alto, oprima el costado del interruptor marcado con "II".
- Para apagar la herramienta, regrese el interruptor a la posición central marcada con "O".



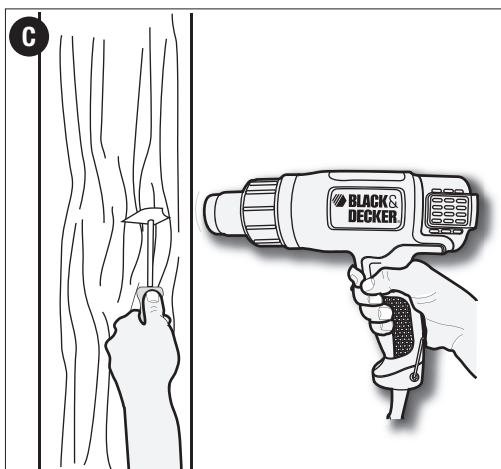
CÓMO QUITAR LA PINTURA

Quitar la pintura eficientemente requiere desarrollar una técnica. Siga las pautas en este manual y usted verá que habrá aprendido el procedimiento después de unos proyectos sencillos.

Prenda la herramienta y mantenga la boquilla a aprox. una pulgada de la superficie a eliminar, como se ilustra en la **Figura C**. (Deje que la unidad funcione unos 15-20 segundos para que alcance su potencial de calor total.) La pintura que se está calentando comenzará por lo general a ampollarse cuando llega a la temperatura apropiada para su eliminación. Cuando alcance este punto, comience a raspar con pasadas suaves y uniformes. Si la pintura está lo suficientemente caliente y el raspador es el adecuado para eliminar este tipo de superficie, la pintura deberá levantarse en una tira igual a la anchura completa del raspador. Mueva la unidad ligeramente delante del raspador para asegurarse de que la pintura a quitar se está suavizando.

Los mejores resultados se obtendrán si la pistola de calor se mueve lenta pero constantemente, de un lado a otro, para distribuir el calor de manera uniforme. No permanezca mucho tiempo ni haga pausas en un solo lugar.

Recuerde que las astillas y pequeños partículas de pintura que se han quitado pueden hacer ignición y escaparse por huecos y hendiduras de la superficie que se está trabajando.



SUGERENCIAS PARA QUITAR LA PINTURA

El raspado con pasadas suaves, hacia abajo, dará buenos resultados y ayudará a prevenir la formación de ranuras en la superficie de trabajo.

En algunas pinturas, el calor prolongado sobre las mismas hará que éstas sean más difíciles de quitar. Pruebe varios tiempos de calentamiento unas cuantas veces hasta que usted desarrolle la técnica más apropiada para su aplicación en particular.

La pistola de calor está diseñada para eliminar pinturas a base de aceite y de látex.

No eliminará tintes ni capas de imprimación que hayan impregnado la veta de la madera. Raspe la pintura tan pronto se ablanda, ya que pronto se enfriará y se endurecerá otra vez.

Limpie el borde de su raspador a menudo para mantener un borde limpio y afilado.

Proteja las áreas adyacentes a la que está raspando. Por ejemplo: proteja la puerta con materiales no inflamables si está quitando la pintura al marco de la puerta.

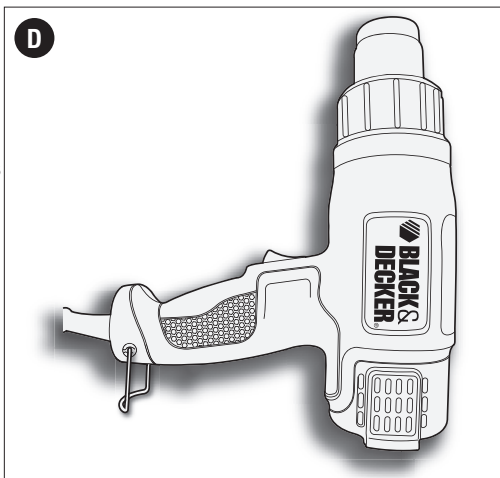
No concentre el calor de la herramienta sobre un cristal de ventana u otras superficies de vidrio. El calor excesivo puede quebrar el vidrio. Use algún material no inflamable para proteger el vidrio cuando le está quitando la pintura a un marco de ventana.

OTROS USOS

Para una operación de manos libres, utilice la base para la pistola de calor como se muestra en la **Figura D**.

Aparte de quitar la pintura, la pistola de aire caliente tiene muchos otros usos. Utilícelo para suavizar el linóleo y las baldosas de piso y para aflojar adhesivos sensibles al calor. Es perfecta para usar con tubería termocontraíble y en cualquier parte donde usted necesite una fuente de calor portátil. Hasta lo puede utilizar para derretir el agua congelada en tuberías de metal.

Los usos automotores incluyen reducir el tiempo de preparación de material de relleno de carrocerías o tiempo de secado de las pinturas (se debe seguir las recomendaciones del fabricante).



Se debe tener precaución cerca de gasolina, líquidos automotores, neumáticos, juntas, tapizados, mangueras, etc. para evitar daños o incendios. Siempre tenga presente que esta herramienta puede encender materiales inflamables y ablandar o derretir otros. Evite el sobrecalentamiento de materiales inflamables adyacentes como madera, aislamiento, cubiertas de cables eléctricos o plástico. Descongele únicamente aquellas secciones de tubería metálica que estén completamente expuestas. No intente descongelar tuberías que estén dentro de muros, pisos, techos o encerradas de alguna otra forma. No intente descongelar tuberías que estén envueltas con aislamiento.

MANTENIMIENTO

Use sólo un jabón suave y un paño húmedo para limpiar la herramienta. Nunca debe permitir que algún líquido penetre la herramienta; no sumerja nunca la herramienta o parte de ella en algún líquido.

IMPORTANTE: Para garantizar la SEGURIDAD y CONFIABILIDAD del producto, toda reparación, mantenimiento y ajuste debe efectuarse en los centros de servicio autorizados u otras organizaciones de servicio calificados, utilizando siempre repuestos idénticos.

ACCESORIOS

⚠ ADVERTENCIA: El uso de accesorios no recomendados para esta herramienta puede resultar peligroso. Siempre desenchufe la herramienta antes de añadir o quitar accesorios. No retire las puntas accesorias hasta que la herramienta haya alcanzado la temperatura ambiente.

DETECCIÓN DE PROBLEMAS

Problema

• La unidad no enciende.

Causa posible

• Cable desenchufado.

• Fusible quemado.

• El interruptor automático está activado.

• Interruptor o cable dañado.

Solución posible

• Enchufe el cargador en un tomacorriente que funcione.
• Reemplace el fusible quemado. (Si repetidamente el producto hace que el fusible del circuito se queme, deje de utilizarlo inmediatamente y haga que le realicen mantenimiento en un centro de mantenimiento Black & Decker o en un centro de servicio autorizado.)

• Reinicie el interruptor automático. (Si repetidamente el producto hace que el fusible del circuito se queme, deje de utilizarlo inmediatamente y haga que le realicen mantenimiento en un centro de mantenimiento Black & Decker o en un centro de servicio autorizado.)

• Haga reparar el cable o el interruptor en un centro de mantenimiento Black & Decker o en un centro de mantenimiento autorizado.

Solamente para Propósitos de México

Para conocer la ubicación del centro de servicio más cercano a fin de recibir ayuda con su producto, visite nuestro sitio Web www.blackanddecker.com.mx o llame a la línea de ayuda BLACK & DECKER al **01 800 847 2309/01 800 847 2312**

**· GARANTÍA BLACK & DECKER · BLACK & DECKER WARRANTY
· SOLAMENTE PARA PROPOSITOS DE MEXICO**

Distributor Name · *Sello firma del distribuidor*

Date of purchase · *Fecha de compra*

Invoice No. · No. de factura

PRODUCT INFORMATION · IDENTIFICACIÓN DEL PRODUCTO

Cat. No. · *Catalogo ó Modelo*

Serial Number · No. de serie

Name · *Nombre*

Last Name · Apellido

Address · *Dirección*

City · *Ciudad*

State · Estado

Postal Code · *Código Postal*

Country · País

Telephone · *No. Teléfono*

2 AÑOS DE GARANTIA

Este producto cuenta con dos años de garantía a partir de la fecha de compra contra cualquier defecto de su funcionamiento, así como cualquier falla debido a materiales empleados para su fabricación ó mano de obra defectuosa.

Nuestra garantía incluye la reparación o reposición del producto y/o componentes sin cargo alguno para el cliente incluyendo la mano de obra, esta incluye los gastos de trasportación erogados para lograr cumplimiento de esta garantía en los domicilios diversos señalados.

Para hacer efectiva esta garantía deberá presentar su herramienta y esta póliza sellada por el establecimiento comercial donde se adquirió el producto.

Nos comprometemos a entregar el producto en un lapso no mayor a 30 días hábiles contados a partir de la fecha de recepción del mismo en nuestros talleres de servicio autorizados.

ESTA GARANTIA NO APLICA CUANDO:

El producto se hubiese utilizado en condiciones distintas a las normales.

El producto no hubiese sido operado de acuerdo con el instructivo de uso que se acompaña.

El producto hubiese sido alterado o reparado por personas no autorizadas por nosotros.

Importador: Black & Decker S.A. de .C.V

Bosque de Cidros Acceso Radiatas No.42

3ra.Seccion de Bosques de las lomas

C.P.05120, Mexico, D.F. Tel: (01 55) 5326 7100

SOLAMENTE PARA PROPOSITOS DE MEXICO

Grupo Realsa en herramientas, S.A. de C.V.

Súper Manzana 69 MZ.01 Lote 30
(Av. Torcasita)
Col. Puerto Juárez
Cancún, Quintana Roo
Tel. 01 998 884 72 27

Ferre Pat de Puebla, S.A. de C.V.

16 de Septiembre No. 6149
Col. El Cerrito
Puebla, Puebla
Tel. 01 222 264 12 12

Ferre Pat de Puebla, S.A. de C.V.

Ejército Mexicano No. 15
Col. Ejido 1ro. de Mayo
Boca del Rio, Veracruz
Tel. 01 229 167 89 89

Servicio de Fabrica Black & Decker, S.A. de C.V.

Lázaro Cardenas No. 18
Col. Obrera
Distrito Federal
Tel. 55 88 95 02

Representaciones Industriales Robles, S.A. de C.V.

Tezozomoc No. 89
Col. La Preciosa
Distrito Federal
Tel. 55 61 86 82

Gpo. Comercial de Htas. y Refacciones de Occidente, S.A. de C.V.

Av. La Paz No. 1779
Col. Americana, S. Juárez
Guadalajara, Jalisco
Tel. 01 33 38 25 69 78

Herramientas y Equipos Profesionales

Av. Colón 2915 Ote.
Col. Francisco I. Madero
Monterrey, Nvo. León
Tel. 01 81 83 54 60 06

Htas. Portátiles de Chihuahua, S.A. de C.V.

Av. Universidad No. 2903
Col. Fracc. Universidad
Chihuahua, Chihuahua
Tel. 01 614 413 64 04

Fernando González Armenta

Bolivia No. 605
Col. Felipe Carrillo Puerto
Cd. Madero, Tampico
Tel. 01 833 221 34 50

Perfiles y Herramientas de Morelia

Gertrudis Bocanegra No. 898
Col. Ventura Puente
Morelia, Michoacán
Tel. 01 443 313 85 50

Enrique Robles

Av. de la Solidaridad No. 12713
Col. La Pradera
Irapuato, Guanajuato
Tel. 01 462 626 67 39

Hernández Martínez Jeanette

Prolongación Corregidora Nte. No. 1104
Col. Arboledas
Querétaro, Qro.
Tel. 01 442 245 25 80

PARA OTRAS LOCALIDADES LLAME AL 01 800 847 2309 o 01 800 847 2312.

**Vea "Herramientas
eléctricas (Tools-Electric)"
- Páginas amarillas -
para Servicio y ventas**



**BLACK & DECKER S.A. DE C.V.
BOSQUES DE CIDROS ACCESO RADIATAS NO. 42
COL. BOSQUES DE LAS LOMAS.
05120 MÉXICO, D.F
TEL. (01 55) 5326 7100
01 800 847 2309/01 800 847 2312**

