

## Menu

Press and hold the BRT and SEN buttons to access the Menu. To exit the Menu, simply wait a few seconds without pressing a button. The unit will display **Completed** to confirm your selections.

Press BRT to go from one category to the next		Press VOLUME + or – to change your setting within a category
User Mode	<b>Advanced* Novice</b>	Access and customize all Settings and Preferences Access and customize units and display color, (all other Settings are set to factory defaults) <i>NOTE: Switch back to Advance mode to view all Preferences</i>
Pilot	<b>Scan Bar* Full Word</b>	Scanning Bar with Full Word Full Word: AutoScan, Auto NoX, or Highway
Display Color	<b>Copper/Blue*/Green/Red</b>	Set color to match your vehicle's dash display
Speed Display	<b>On* Off</b>	Displays current speed Displays battery voltage
Speed Mute	<b>Off / 20-160 mph 20 mph*</b>	Offers double beep alert tones below specified speed
Speed Alert	<b>Off / 20-160 mph 70 mph*</b>	Reminds you when you exceed a specified speed
Meter Mode	<b>Standard* Frequency Threat Basic</b>	Single band with bar graph of signal strength Single band with numeric frequency Multiple bands with bar graph of signal strengths Simple messages replace bands: <b>Caution</b> (if traveling below cruise alert limit) <b>Slow Down</b> (if traveling above cruise alert limit)
Tones	<b>Standard* Mild</b>	Standard Cobra alert tones Mild doorbell chime alert tones
AutoMute	<b>On* / Off</b>	Automatically reduces audio during alert
AutoLock	<b>On* / Off</b>	Automatically stores and locks out false alarms
Units	<b>English*/Metric</b>	Units for distance and speed
Language	<b>English*/Espanol</b>	Language for voice and text
Voice	<b>On* / Off</b>	Voice announcements
GPS Filter	<b>On* / Off</b>	Enables GPS-powered features

7

AutoPower	<b>Off</b>	Power turns on or off depending on your vehicle's ignition type (constant power or switched) Powers off automatically after 1 hour Powers off automatically after 2 hours Powers off automatically after 4 hours Powers off automatically after 8 hours <i>NOTE: If AutoPower is on, the display screen goes blank after 30 minutes to save screen life. Display screen will turn on automatically after you reach 10 MPH</i>
Band Enables	<b>Default* Modified</b>	Default Settings for North America Customize the bands you want to monitor
	<b>Press SEN to go from one band category to the next</b>	<b>Press VOLUME + or – to change your setting within a category</b>
X Band	<b>On* / Off</b>	
K Band	<b>On* / Off</b>	
Ka Band	<b>On* / Off</b>	
Ka-POP	<b>On* / Off*</b>	
Laser	<b>On* / Off</b>	
TSR	<b>On* / Off</b>	Automatically rejects traffic flow sensors-monitoring false alarms
Marker Enable	<b>On* / Off</b>	Other, Red Light Camera, Red and Speed Camera, and Speed Trap Customize the types of locations you want to mark for future reference
	<b>Modified</b>	
	<b>Press SEN to go from one marker category to the next</b>	<b>Press VOLUME + or – to change your setting within a category</b>
Other	<b>On* / Off</b>	Other location
Redlight	<b>On* / Off</b>	Red light camera
Red & Speed	<b>On* / Off</b>	Red light & speed camera
Speed Cam	<b>On* / Off</b>	Speed camera
Speed Trap	<b>On* / Off</b>	Speed trap
Air Patrol	<b>On* / Off*</b>	Known aircraft patrolled areas <i>NOTE: User cannot mark an Air Patrol location</i>
Clear Locations	<b>Marked Lockouts Defender Format</b>	Clear all user Marked locations. Press SEN button to confirm Clear all lockouts. Press SEN button to confirm Clear all DEFENDER data. Press SEN button to confirm Clear DEFENDER database, all markers, and all lockouts. Press SEN button to confirm

\*Default Setting

8

## Settings

### SEN - Sensitivity Modes

Press SEN to adjust the X and K band radar detection sensitivity/range. Auto = speed adjusted. The slower you travel, the shorter the X and K band detection range. At 50 mph and above, X and K detection range is at maximum. Ka band detection range is always at maximum, regardless of the SEN setting.

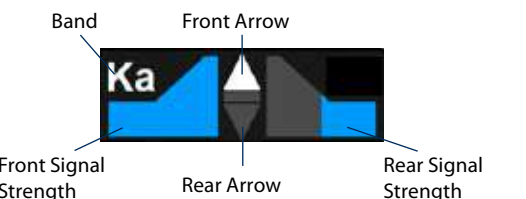
- **Auto No X**  
Auto No X works the same as Auto mode; however, X band is completely turned off.
- **Auto Lo K**  
Auto Lo K works the same as Auto mode; however K band sensitivity is lowered.
- **Highway**  
In this setting, Dual Pro 360 will detect all radar signals on all bands at maximum range.

### Meter Mode

Dual Pro 360 offers three settings for displaying alerts:

#### Standard

The Standard option provides information on a single radar signal. When Dual Pro 360 detects radar, it displays the band of the radar (X, K and Ka), a bar graph of the front and rear signal strength (front is the left-most bar graph), along with front or rear arrow. When laser is detected, the display will simply read "Laser". If there are multiple signals present, Dual Pro 360 will determine which one is the most important threat to display.



9

Frequency mode is the same as Standard but adds frequency information on the displayed radar signal.

### Basic

Basic messages replace band and signal strengths. "Caution" is used when an alert is received while you are traveling below your current Speed Mute setting (or posted speed limit for current location, when connected to iRadar).

"Slow Down" is displayed when an alert is received while you are traveling above the current Speed Mute setting (or posted speed limit for the current location, when connected to iRadar).

### Speed Mute

The Speed Mute feature allows you to modify your alert tones when traveling below a specified speed (factory default is 20 mph; see Settings and Preferences for details). For all alerts received while traveling below the specified speed, Dual Pro 360 will sound a simple double-beep alert.

### GPS Filter/Locking Out False Alerts

Dual Pro 360 is equipped with a TrueLock GPS Filter to lock out and store in its memory false alerts. To lock out a false alert (X band, K band or laser only), press the MUTE button on the detector or the SmartCord three times during an alert. Pressing the first time will silence the audio. Pressing a second time will generate a prompt on the display that will read "Lockout?" Press a third time to confirm you want to lock this signal out by location and frequency. A "Stored" message will be displayed. Once a signal has been stored, Dual Pro 360 will reject the signal the next time you approach this area and will display the locked out alert. To unlock a signal that has already been stored, simply press and hold the detector or SmartCord MUTE button while receiving the locked out alert.

The display will read "Unlock?" press and hold the detector or SmartCord MUTE button again to unlock it from memory. The display will then read "Unlocked" to confirm your action. For details on how to turn the GPS filter off, refer to the Settings and Preferences section.

*NOTE: When the GPS filter is set to OFF, you do not have access to Dual Pro 360's other GPS-enabled features (e.g., Database alerts, marking locations, etc.)*

### Speed Alert

With Dual Pro 360, you can set the Speed Alert to notify you when you are traveling over a specified speed (factory default is 70 mph; see Settings and Preference for details). When you travel above the speed threshold you have set, the background display for your current speed will turn red to alert you that you have exceeded the specified speed.

10

### AutoLearn

The AutoLearn feature analyzes (over time) the source of radar signals by location and frequency. This allows Dual Pro 360 to determine if a signal is a real threat or a false one. If it determines that the signal is an automatic door opener, motion sensor, etc., it automatically locks out this source at this particular location. A "Stored" message will appear on the display when a signal has been automatically locked out. If you prefer, you can turn the AutoLearn feature off. See the Settings and Preferences section for details.

*NOTE: AutoLearn typically needs to encounter the exact frequency in the same location approximately three times to lock it out. Since some door openers are turned on and off routinely, some variations may occur. When AutoLearn is on, Dual Pro 360 will also unlearn signals to protect you from locking out real threats. If a particular signal is no longer present at a location that was previously locked out, Dual Pro 360 will unlock that signal.*

### Software Updates

Dual Pro 360's red light and speed camera database is easily updated using our exclusive detector software tools found on our web site. Firmware, or the operating software for the detector, can also be updated using these tools. In order to have access to these updates, you must register your Dual Pro 360 at [www.Cobra.com](http://www.Cobra.com). Once registered, you will receive email notifications that updates are now available for your database or firmware. To handle your software and DEFENDER updates you need to connect your Dual Pro 360 to a computer first. You can connect Dual Pro 360 to a computer via USB/USB Mini B cable.

### Restore Factory Settings

To restore Dual Pro 360 to its original factory settings, press and hold MRK and BRT while turning the power on. A **Restored** message will display, acknowledging the reset.

### Notes for Programming

To view serial number and software revision press MRK and MUTE while powering on detector.

## Contact Us

800.964.3138 • [Cobra.com](http://Cobra.com)

Cobra Electronics Corporation  
6500 W. Cortland St., Chicago, IL 60707

**Cobra One Year Limited Warranty**  
**What this warranty covers:** Cobra USA, Inc. ("Cobra") warrants your Product against all defects in materials and workmanship.

**For how long:** One (1) year from the date of original purchase from an authorized Cobra dealer.

**What we will do:** If a breach of warranty occurs, Cobra, at its discretion, will either repair or replace your Product free of charge.

**What we will not do:** Cobra will not pay shipping charges that you incur for sending your Product to us.

**What you must do to maintain this warranty:** Show original proof of purchase or receipt from an authorized Cobra dealer.

**Warranty exclusions:** This warranty does not apply to your product under any of the following conditions: 1. The serial number has been removed or modified. 2. Your product has been subjected to misuse or damage (including water damage, physical abuse, and/or improper installation). 3. Your product has been modified in any way. 4. Your receipt or proof-of-purchase is from a non-authorized dealer or internet auction site, including E-bay, U-bid, or other non-authorized resellers. 5. You are not the original purchaser of the Product from an authorized dealer or did not receive it as a gift from the original purchaser of the Product from an authorized dealer.

**To obtain service:** 1. Contact Cobra (1-800-964-3138) to obtain a Return Authorization Number. 2. Properly pack your Product and include: your name, complete return address, written description of the problem with your Product, daytime telephone number, and a copy of the original proof of purchase or receipt. 3. Label the outside of the package clearly with your Return Authorization Number. Ship the Product pre-paid (insured, for your protection) to: Cobra Electronics Corp., 6500 W. Cortland St., Chicago, IL 60707.

**LIMITATION OF WARRANTY:** The obligations set forth above are Cobra's sole obligations and your exclusive remedy. Cobra makes no other express warranty. Any implied warranty of merchantability or fitness for a particular purpose that may be applicable to the Product is limited in duration to the duration of this warranty. Some States do not allow limitations on how long an implied warranty lasts, so the above limitation may not apply to you. Cobra SHALL NOT BE LIABLE FOR CONSEQUENTIAL, SPECIAL OR INCIDENTAL DAMAGES INCLUDING, WITHOUT LIMITATION, DAMAGES ARISING OUT OF THE USE, MISUSE OR MOUNTING OF THE PRODUCT. Some States do not allow the exclusion or limitation of incidental or consequential damages, so the above limitation or exclusion may not apply to you. Cobra is not responsible for products lost in shipment between the owner and our service center. Other legal rights: This warranty gives you specific legal rights, and you may also have other rights which vary from State to State.

©2019 Cobra®, iRadar®, and SmartShield® are trademarks of Cobra USA, Inc., Manufactured in the Philippines. Features, specifications and prices subject to change without notice.

FCC NOTE: Modifications not expressly approved by the manufacturer could void the user's FCC granted authority to operate the equipment.

FCC ID: QL4M6. CONTAINS FCC ID: QKLB72

This device complies with part 15 of the FCC rules. Operation is subject to the following two conditions: (1) This device may not cause harmful interference, and (2) this device must accept any interference received including interference that may cause undesired operation.

11

**Cobra**

**ELITE**



**DUALPRO 360°**

360° PROTECTION WITH DIRECTIONAL DETECTION

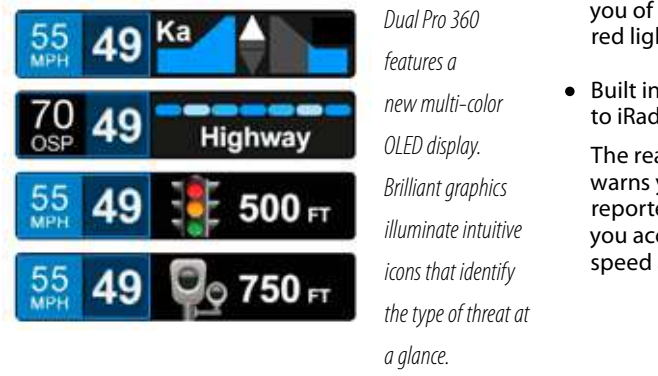
**OWNERS MANUAL**

# Congratulations



Take the freedom of the road back with the Cobra Dual Pro 360, equipped with 360° high definition protection, threat direction arrows, and intelligent GPS technology to eliminate false alerts.

Go to [Cobra.com](http://Cobra.com) for full featured Owner's Manual.

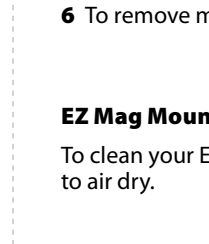


*Dual Pro 360 features a new multi-color OLED display. Brilliant graphics illuminate intuitive icons that identify the type of threat at a glance.*



HIGH DEFINITION 360° PROTECTION

- Dual Pro 360's HD Performance accurately identifies real threats sooner than other detectors, and with threat direction arrows, provides you with location information about these threats.
  - Updatable IVT Filter™ automatically reduces false alerts from moving In-Vehicle Technology sources such as collision avoidance systems and adaptive cruise control.
  - GPS location-based intelligence automatically locks out false alerts and allows you to mark locations for future reference.
  - Access to the DEFENDER Database, which warns you of verified speed traps, speed cameras, and red light cameras.
  - Built in Bluetooth® technology gives you access to iRadar.
- The real-time ticket-protection network which warns you of upcoming alerts received and reported by other users in the area, and gives you access to local speed limit data for over-speed alerts.



2

# Dual Pro 360 Features

Your new detector comes with our latest **EZ Mag Mount™**. Simply slide the detector onto the mounting bracket fully and that's it. To remove the detector from the mount, simply pull the detector off the mount.

## Mounting Tips:

- Center of windshield between driver and passenger.
- Ensure clear view of road ahead and sky above.
- Avoid windshield wipers and heavily tinted areas.

## To mount the detector in your vehicle:

- 1 Remove backing from EZ Mag Mount.
- 2 Firmly press EZ Mag Mount onto windshield and flip locking clamp to secure.
- 3 Slide the detector onto the mounting bracket until it's fully engaged. The magnet inside holds the detector in place.
- 4 To adjust view, loosen thumb wheel and adjust angle of mounting bracket. Tighten thumb wheel to secure.
- 5 To remove detector, simply pull the detector device off the mount bracket.
- 6 To remove mount from windshield, release locking clamp and pull tab on top of EZ Mag Mount.

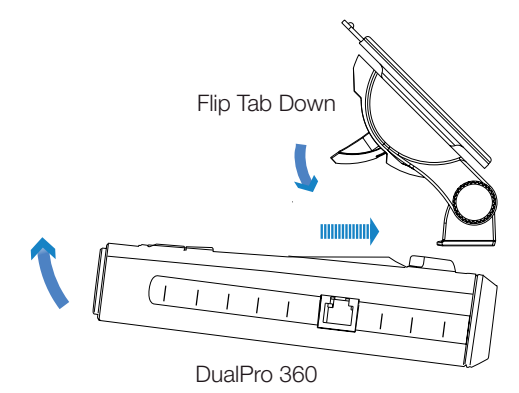
## EZ Mag Mount Care Instructions:

To clean your EZ Mag Mount, simply rinse under warm water, gently wipe off any debris and allow to air dry.

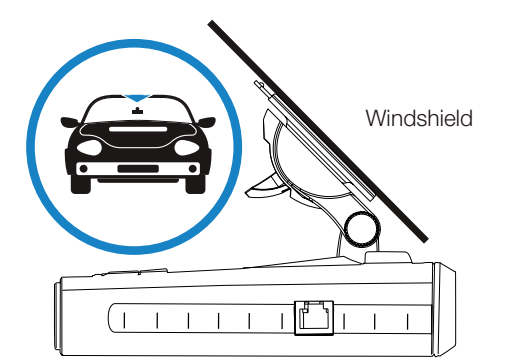
3

# Installation

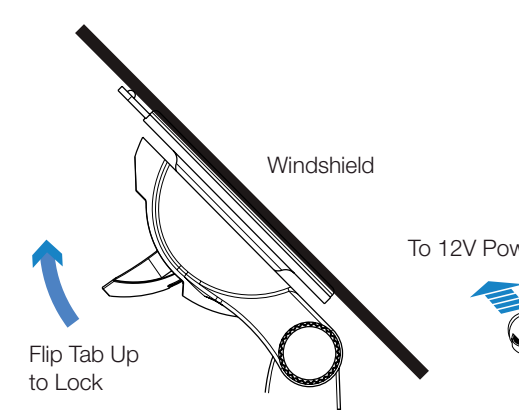
## Attach EZ Mag Mount™ to DualPro 360



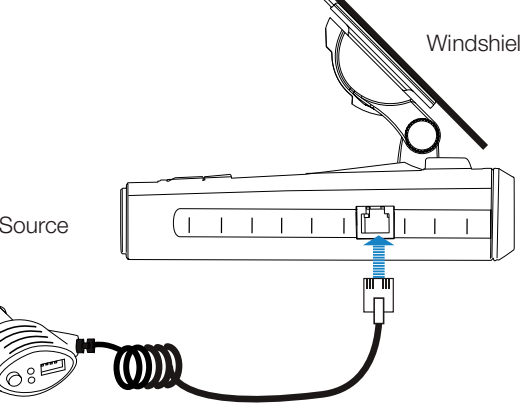
## Mount to Windshield



## Lock Mount



## Connect and Power

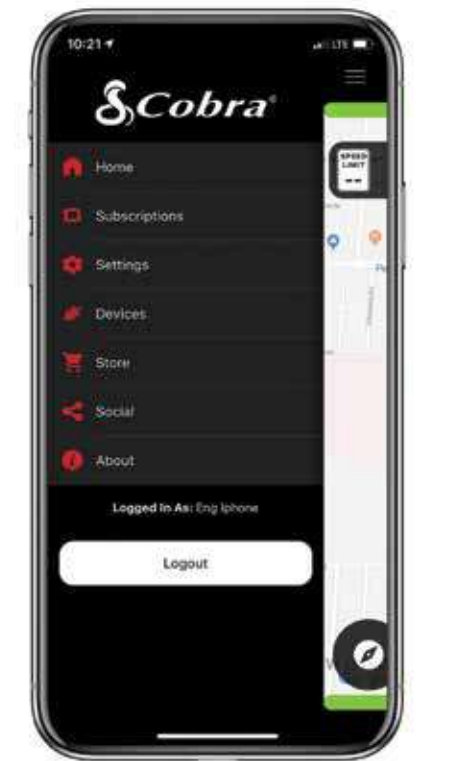


4

# Connect detector to your smartphone via Bluetooth®

- 1 Power on Dual Pro 360.
- 2 Install and run the Cobra iRadar app on your smartphone.
- 3 In the iRadar app, press the Settings button then select "Devices".
- 4 Select "Dual Pro 360" from the list.
- 5 Dual Pro 360 will display "Connected" when it has paired. Press the settings button then Home to return to the Map screen.

*Note: the first time you run the app, you will be prompted to register a new account.*



5

# Controls & Features

## Using Dual Pro 360

- 1 Plug small end of SmartCord into modular jack on Dual Pro 360 and large end of SmartCord into your car's lighter/accessory socket.
- 2 Dual Pro 360 should power on automatically. If not, press the device's power button.

*NOTE: You can easily access and customize all of your Settings and Preferences by pressing and holding the MRK and SEN buttons. See Settings and Preferences for details.*



**Mini USB Jack**  
Connects to your computer via USB A/mini B cable for downloading software updates

**Modular Jack**  
Connects to SmartCord for powering your device



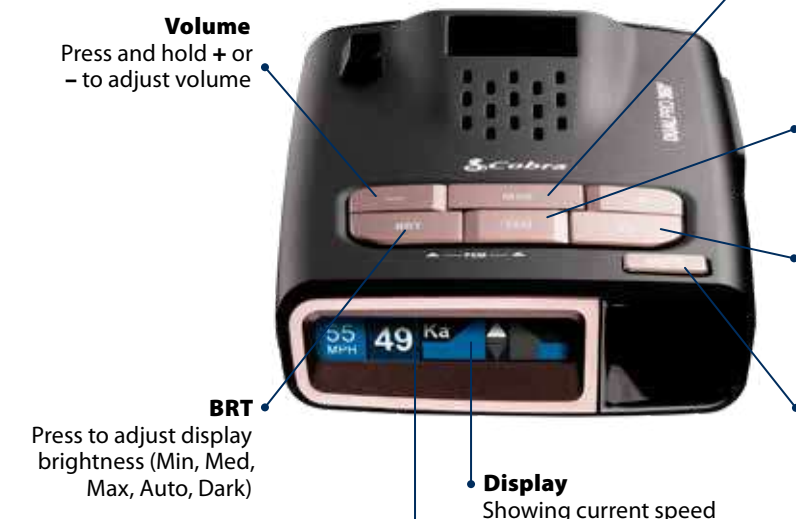
**Earphone Jack**  
Connects to optional 3.5 mm stereo earphone.

**Smartcord USB Adapter**  
Plugs into detector jack  
Connects to lighter/accessory socket

6

## Using SmartCord USB

- **Mute Button:**
  - Press to mute the audio for a specific alert.
  - Press three times to lock out a false alert.
  - Press twice while receiving a locked-out alert to unlock.
  - When connected to iRadar press and hold the mute button on unit or cord to manually report to other users a verified X or K-band alert, or a police officer observing traffic.
- Alert Light: Blinks red when receiving a laser alert.
- Power Light: Lights green when device is powered on.
- USB Charging Port: Charge smartphones, tablets and other USB-charged devices.



**Volume**  
Press and hold + or - to adjust volume

**MRK**  
To mark a location for future alerts, press MRK twice, then VOL + or - to select the type of marker, then MRK again to confirm. Press twice while receiving marker alert to unmark

**SEN**  
Press to adjust detector sensitivity (Highway, AutoScan, Auto NoX)

**Power**  
Press to turn Dual Pro 360 on or off

**Mute**  
Press to mute an alert; press three times to lock out a false alert; press twice while receiving a locked-out alert to unlock

**BRT**  
Press to adjust display brightness (Min, Med, Max, Auto, Dark)

**Display**  
Showing current speed

**Display**  
OverSpeed alert setting that can be adjusted in Preferences. Speed limit data will show here when connected to iRadar



7

Continued →