



serenelife[∞]™



SLGZ48

Foldable 3-Wheel Golf Push Cart

New Deluxe Scorecard Holder,
Upper & Lower Brackets with Elastic Strap
Includes Cup Holder, Scorecard Holder,
and Patented Bag Holder

USER MANUAL

WARNING:

- For your own safety, please read and understand these warnings and keep this user guide for future reference.
- Always make sure the trolley is fully extended and locked before use. Always make sure the trolley is folded and locked properly before lifting or transporting.
- Do not run while using this product.
- Do not use accessories other than those designed for use with this trolley.
- Keep all packing materials away from children and recycle where possible or where required by law.

MAINTENANCE

- To clean the trolley, wipe with a soft, dry cloth.
- Car polish may be used to maintain finish.
- Lubricate moving parts every 6 months.

WARNING:

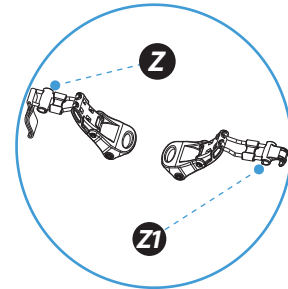
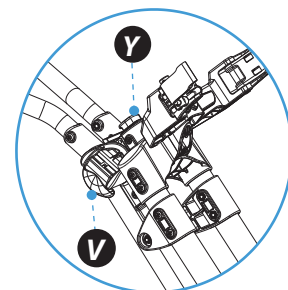
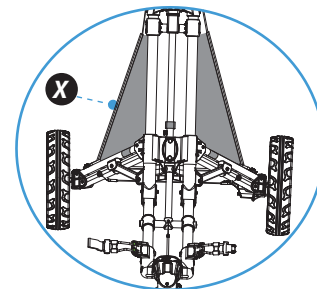
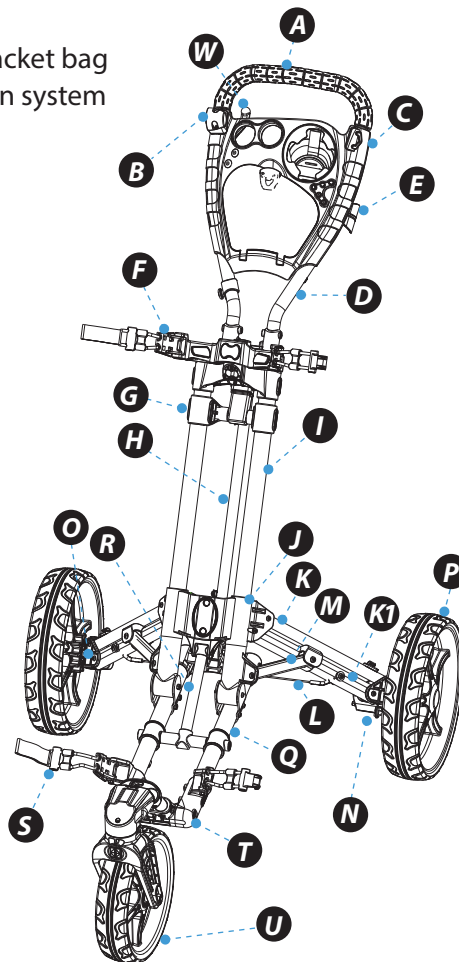
- Keep hands and fingers away from moving or sliding parts!
- Always keep control of the buggy - Do not let it run down hills without full control.



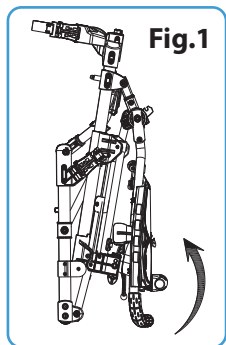
PARTS LIST

- A** PVC handle
- B** Umbrella holder base
- C** Scorecard holder
- D** Handle tube
- E** Umbrella holder storage rack
- F** Upper bag holder bracket
- G** Joint
- H** Connecting rods
- I** Main upper frame tube
- J** Leg bracket
- K** 2 holes leg frame
- K1** 4 holes leg frame
- L** Anti-splay wire
- M** Weight stabilizer
- N** Right wheel locking mechanism
- O** Left wheel locking mechanism
- P** Rear wheel assembly
- Q** Main lower frame tube
- R** Slippery connecting rods
- S** Adjustable bag elastic rope
- T** Lower bag holder bracket
- U** Front wheel assembly
- V** Adjustable handle mechanism
- W** Handle brake for front wheel swivel

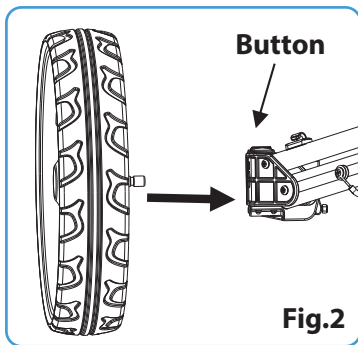
- X** Bottom bracket bag
- Y** Push button system
- Z** Strap
- Z1** Hook



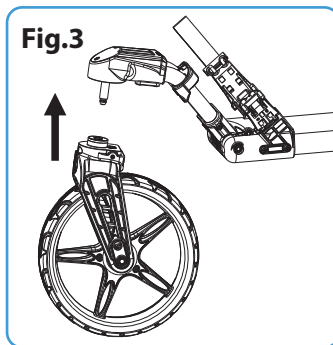
ASSEMBLY STEPS



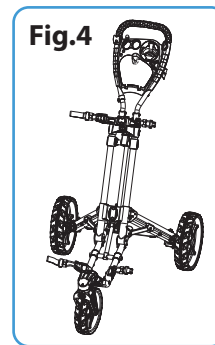
Pull the handle up until you hear the cart 'Click' as in Fig.1



Press the button and insert the rear wheels as in Fig.2



Insert the front wheel as in Fig.3



Completely assembled trolley as Fig.4.

FOLDING STEP

Press the red button and fold the cart in the direction of the arrow as in Fig.5

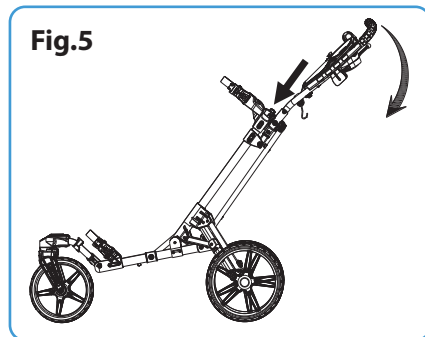
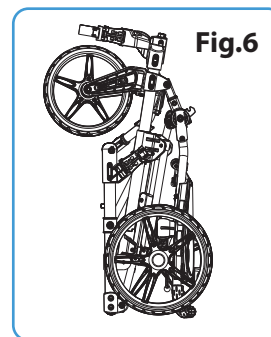
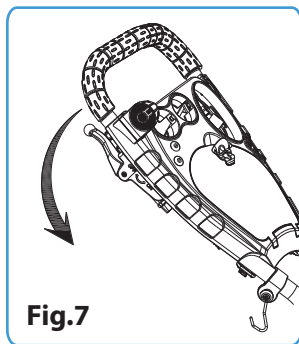


Fig.6 shows the folded position

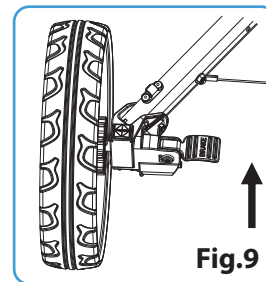
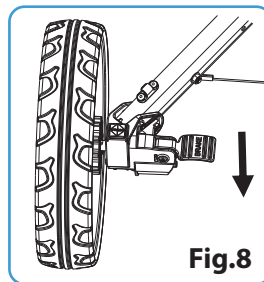


SWIVEL FRONT WHEEL SYSTEM



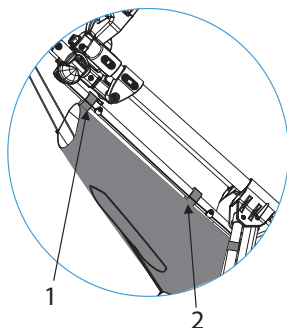
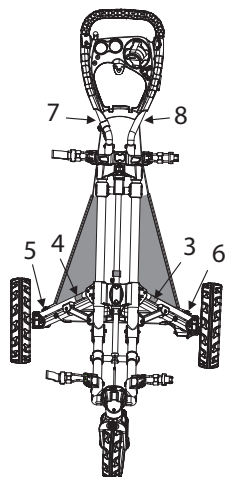
The front wheel can 360 swivel when the handle brake pull down as Fig.7, and the handle brake is pull up, the front wheel will run straight line.

USE THE BRAKE

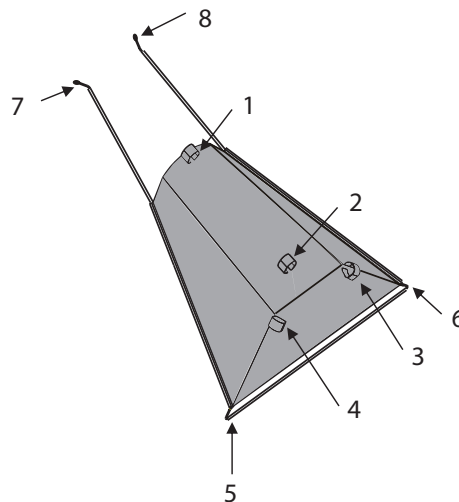


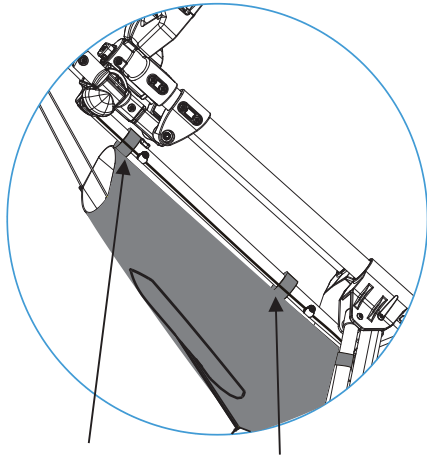
Push on the brake pedal to stop the rear wheel and pull off to release as in Fig.8 and 9.

USING THE BASKET

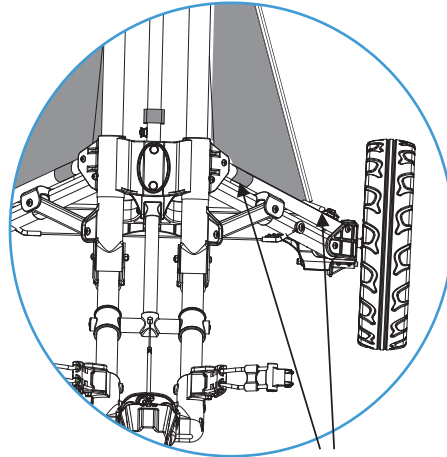


Point 1, First step: Fixed the velcro strap on the connecting rod, upper the plastic. Check the two sides elastic strap the same length.

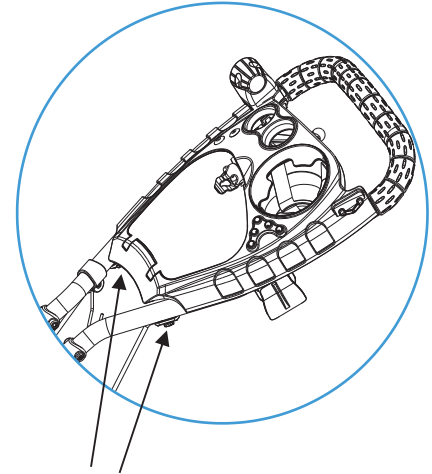




Point 2, Fixed the second velcro strap on the lower connecting rod, and only fix the velcro, so it can slide down and up when folding, do not fixed tightly, otherwise, it will affect folding the trolley.

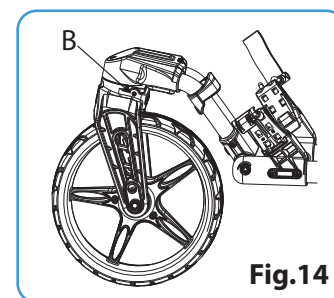
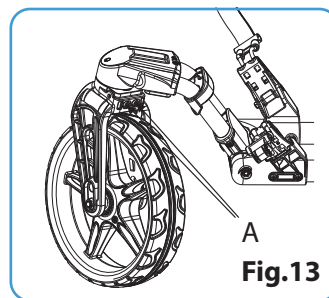
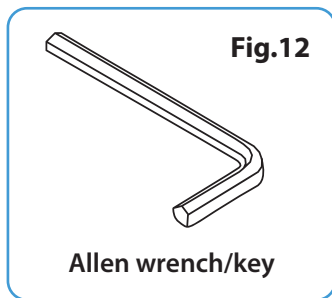
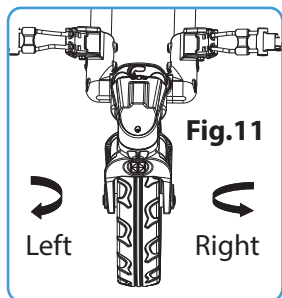


Point 3 & 4, Fixed velcro strap on the 2 holes leg frame, then pull the elastic strap and click into Point 5 & 6 on the 2 holes leg frame.



Point 7 & 8, Click the elastic strap under the scorecard holder and check the elastic strap if the same.

FRONT WHEEL ADJUSTABLE SYSTEM



WHEN FACING THE CART:

If the cart veers to RIGHT:

Use the Allen wrench (as shown in Fig. 12) to lose the 2 screws (A) on the backside of the front wheel frame as shown in Fig. 13. Then adjust the front wheel to center position by turning the screw (B) counterclockwise as in Fig. 14. Tighten the 2 Screws (A) after the front wheel alignment is done.

If the cart veers to LEFT:

Use the Allen wrench (as shown in Fig. 12) to lose the 2 screws (A) on the backside of the front wheel frame as shown in Fig. 13. Then adjust the front wheel to center position by turning the screw (B) clockwise as in Fig. 14. Tighten the 2 Screws (A) after the front wheel alignment is done.

FEATURES:

- 3-Wheel AI Frame Trolley
- New Deluxe Scorecard Holder
- Includes Foot Brake for Rear Wheel
- With Handle Brake to Control 360° Swivel for Front Wheel
- Upper and Lower Bracket with Elastic Strap
- TPE Handle Grip
- Push Button System
- Ergonomic Padded Adjustable Handle
- Includes Cup Holder, Scorecard Holder, and Patented Bag Holder
- Simple Quick Braking System
- Convenient Storage and Cooler
- EZ Fold Mechanism
- Durable and Compact Size for Easy Storage and Transportation
- Easy to Fold and Unfold
- Designed for Multiple Pushing Positions
- Umbrella Holder Not Included
- * Assembly Needed



WHAT'S IN THE BOX:

- (1) 3-Wheel Golf Push Cart

TECHNICAL SPECS:

- Construction Material: Aluminum Frame
- Max. Load Capacity: 33 lbs.
- Front Wheel Size: 9.5" -inches
- Rear Wheels Size: 11.5" -inches
- Folded Product Dimension (L x W x H): 19.1" x 14.6" x 22.8" -inches
- Unfolded Product Dimension (L x W x H): 44.7" x 28" x 47.8" -inches

Questions? Issues?

We are here to help!

Phone: (1) 718-535-1800

Email: support@pyleusa.com

serenelife™

