

SereneLife
by **PYLE**



SLBCAM10

Video Baby Monitor

USER MANUAL



OPERATING MODE

The sober design of our product easily integrates with all interiors and allows you to keep a watchful eye on your babies. Communication between transmitter and receiver through radio waves at a max distance of 260 m (distance in open field). The digital connection provides transmission without interference. The camera is equipped with infrared LEDs that automatically switch on in case of insufficient light conditions. Choose from eight integrated melodies to activate a lullaby on the transmitter. The two-way intercom allows you to talk and soothe your baby. You can check the temperature in your baby's room at any time thanks to the built-in transmitter thermometer. The monitor has a portable battery, so you can always keep it on hand.

Before using this product, carefully read the precautions for use and charge completely the monitor battery.

PRECAUTIONS FOR USE

This baby monitor satisfies all needs and complies with the rules related to this type of product. When used according to the instructions described in this manual, the product is safe.

Read carefully this manual with special attention to the following points:

- The installation must be made by an adult.
- This product is not a toy. Do not allow children play with it.
- This baby monitor does not replace adult supervision.
- Do not place the camera or cables inside the bed or at the child's reach. Leave at least 1 meter distance.
- Keep cables out of children's reach.
- Do not use the baby monitor near water or near a source of heat.
- Use exclusively the adapters supplied with the product.
- Do not touch the connectors with sharp or metal objects.
- Do not attempt to open the casings.

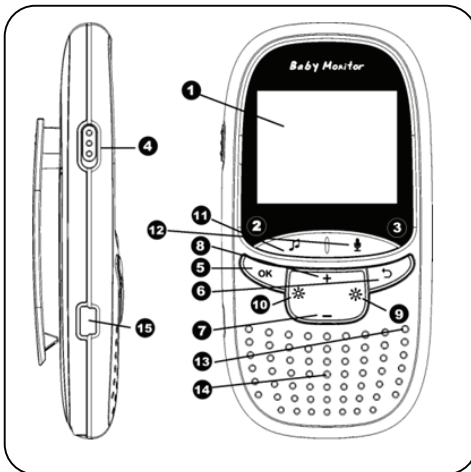
PACKAGE CONTENT



- 1 Monitor X1
- 2 Camera X1
- 3 Power adapter X2

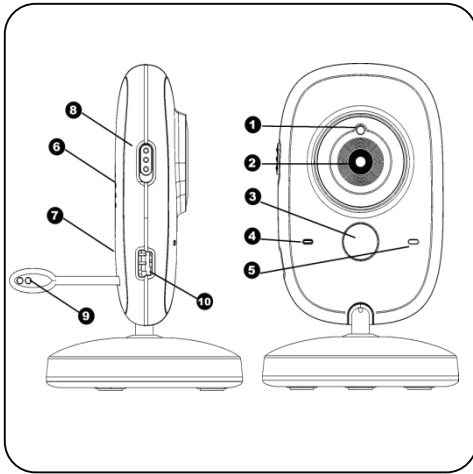
DESCRIPTION

Monitor view



- 1 LCD display
- 2 LED for in Charging.
- 3 LED power indicator
- 4 Key Power On/Off
- 5 Key menu / OK
- 6 Key Return - undo.
- 7 Key volume -
- 8 Key volume +
- 9 Key brightness +
- 10 Key brightness -
- 11 Key Music
- 12 Key intercom
- 13 Microphone
- 14 Loudspeaker
- 15 Power connector

CAMERA VIEW



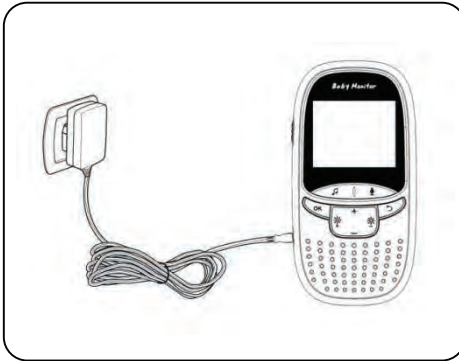
- 1 Light sensor
- 2 Camera lens
- 3 Infrared LEDs
- 4 Power LED
- 5 Microphone
- 6 Loudspeaker
- 7 Paring key
- 8 Key power on/off
- 9 Temperature sensor
- 10 Power connector

Before installing the camera, test the device to make sure that position is suitable. Check the correct signal reception. If necessary, move the camera to improve reception.

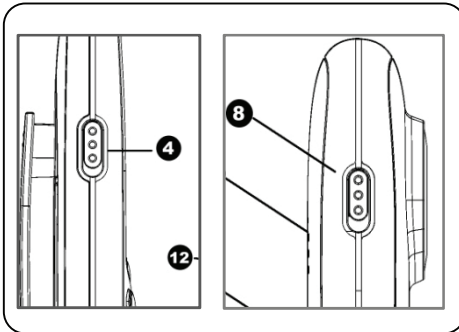


Connect the camera power to the transformer supplied. The blue LED turns on to indicate that it is running.

PACKAGE CONTENT

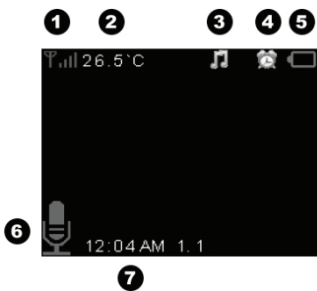


Connect the monitor power. The display turns on for a few seconds to indicate battery charge level. We recommend that you completely recharge the battery before first use.



Push the power key up to turn the monitor and camera on

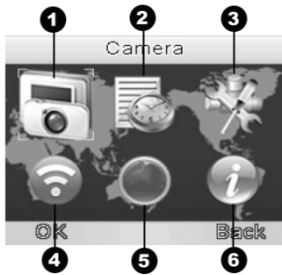
MAIN SCREEN



- 1 Signal level
- 2 Temperature measured in child's room
- 3 Playhead of a melody in progress
- 4 Alarm activated
- 5 Level of battery charge
- 6 Activated intercom function
- 7 Date and time

MAIN MENU

To access, press « menu ». This menu contains 6 icons:



- 1 Camera
- 2 Alarm
- 3 Setting
- 4 VOX setting
- 5 Languages
- 6 Information

Press the key « up » and « and » to select the option.

PARING WITH CAMERA

The display and the camera are paired at the factory. You don't need to repeat this procedure unless they both loose connection. In this case, do as follows.

- Press the key "menu" to enter the main menu.
- Select the icon "camera."
- Press "OK" to enter the menu.
- Press "OK" again to start recording.
A message appears asking if you want to re-register the camera.

Press "YES".

- You now have 10 seconds to press the paring key of the camera.
- A message confirms the successful completion of the operation.



MUSIC PLAYING

Press the music key to activate a lullaby on the camera, Press this key again to stop the melody.

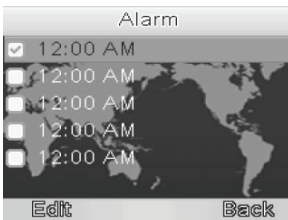
INTERCOM FUNCTION

Press the PTT Key to activate the intercom function. The icon displayed indicates that the microphone is active. Keep this key pressed until you have finished speaking. Do not release too quickly not to interrupt the conversation.

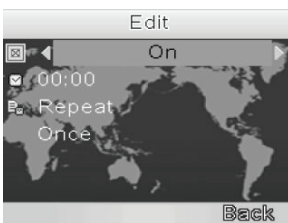
VOLUME

When the camera is operating, you can press Volume + key on monitor to increase and press Volume – key to decrease the audio volume from the camera.

ALARM



This option allows setting one or more alarms.



Choose the alarm that you wish to change and press « change ».

- To activate the alarm, press the key “Up”
- To change the line, press the key “right”
- To change time, press “Up/Down”
- Press to switch to minutes “Left/Right”
- When settings are finished, press « Done ».

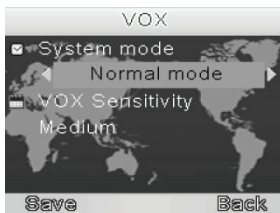
ADVANCED PARAMETERS

- **Date and Time:** Allows setting of date and time of your product.



- To change the line, press the key "right"
- To change time, press "Up/Down"
- Press to switch to minutes "Left/Right"
- To activate summer time, select the line with the key "right" and press "Down"
- When settings are finished, press « Done ».
- **Temperature scale:** Celsius or Fahrenheit degrees.
- **Anti-flickering:** the flickering is due to artificial lighting. In Europe, use 50Hz.
- **Display backlight:** to set screen lighting and length of activity

VOX



- **System mode:** Allows the activation of the VOX mode. The VOX mode automatically puts the display in sleep mode to save battery. It reacts automatically, when it detects noise in the baby's room.
- **VOX sensitivity:** to set the VOX mode sensitivity. The more sensible it is, the more the display will turn on at the slightest noise.

LANGUAGES



Choosing a menu language:

English \ French \ Spanish \ Portuguesa \ Italian \ Deutsch

SYSTEM INFORMATION

The system information icon contains data of the software installed in the product.

TECHNICAL FEATURES

- Display LCD 2 inches
- Resolution: 220X176@20fps
- Frequency: 2.4 GHz Digital
- Range: 260m in open field
- Consumption max: 550mA@5VDC
- Battery Li-Po 550mAh
- Sensor: 0.3Mpix CMOS
- LED infrared
- Lighting sensor
- Temperature sensor
- Operating temperature: -50 to +113°F

CLEANING AND MAINTENANCE

- Do not clean with abrasive or corrosive substances.
- Use a slightly moistened soft cloth.
- Do not spray with aerosol as this will damage the interior of the product.
- Avoid direct contact with camera lens.
- Fully charge the battery before first use.
- Recharge the battery at least once every 3 months.
- Do not install the product with a flat battery.
- Recharge far from humidity.
- Do not expose to rain.
- Never open the casing to prevent the risk of electric shock

SereneLife

by **PYLE**



VISIT US ONLINE:

Have a question?

Need service or repair?

Want to leave a comment?

PyleUSA.com/ContactUs

PYLE