

# SereneLife



## ***SLHC63S***

### **Baby High Chair**

Baby & Toddler Booster Seat Style Feeding Chair  
with Height Adjustment

## USER MANUAL

**Please read the following instructions and warnings carefully.  
KEEP THIS INSTRUCTION MANUAL FOR FUTURE REFERENCE.  
Failure to follow them may put the child's safety at risk.**

**⚠ WARNING**

- **Fall Hazard:** to prevent the high chair from accidentally falling during use, make sure that the support base of the highchair has been completely locked.  
**Please refer to the first clause of the instruction.**
- The product must be assembled and adjusted by an adult. Do not use the product if it is not properly assembled, if it is broken or if pieces are missing.
- Prevent the child from falling or slipping; always use the five-point safety harness. Use the safety harness both when the seat is reclined and when it is in the vertical position.
- Never leave the child unattended.
- Stay near and watch child during use.
- Do not place your fingers in the mechanisms and make sure the child's limbs are safe from harm when adjusting the chair.
- Do not use accessories or replacement parts other than those approved by the manufacturer.
- Assembly, preparation, cleaning and maintenance of the product must only be carried out by adults.
- Do not leave the high chair exposed to sunlight for long periods of time. Wait until it has cooled down before sitting the child in the chair.
- Make sure that any harness is correctly fitted.
- Always use the restraint system.
- Position the product so that the child is far from dangers such as electrical wiring, heat sources and flames.
- Do not use the product near stairs or steps.
- Be aware of the risk of open fire and other sources of strong heat, such as electric bar fires, gas fires etc. in the vicinity of the high chair.
- The child should be secured in the high chair at all times by the restraining system. The tray is not designed to hold the child in the chair. It is recommended that the high chair be used only by children capable of sitting upright unassisted.
- Never use this product on an elevated surface (e.g. a table).
- To avoid injury ensure that children are kept away when unfolding and folding this product.
- Do not let children play with this product.
- This product is designed for indoor use only.
- Do not move or lift this product with the baby inside it.

## **RECLINER**

- When used as a recliner, this product is designed for children from birth up to a weight of 9 kg.
- Do not use the reclined cradle once your child can sit unaided.
- This product is not intended for prolonged periods of sleeping. This product does not replace a cot or a bed. Should your child need to sleep, then it should be placed in a suitable cot or bed.
- **Danger of strangulation:** never leave the child in the recliner if the safety harness is loose or undone.
- **⚠ WARNING** The child should be secured in the high chair at all times by the restraining system, either in the reclining or upright position. The tray is not designed to hold the child in the chair. It is recommended that the high chair be used only by children capable of sitting upright unassisted.
- **Fall Hazard:** Children have suffered severe head injuries including skull fractures when falling from high chairs. Falls can happen suddenly if child is not restrained properly. Always use restraints, and adjust to fit snugly.

## **SWING**

- When used as a swing, the product is designed for children from birth up to 6 months of age and max 9 kg.
- Remove the tray before use, and fix the protective front bar, and use the safety harness. Refer to Figure 5 for specific instructions.
- To use the product as a swing, make sure that the seat is always in the lowest position and adjust the backrest according to your baby's sitting position.
- Keep a close eye on other children near the product.
- Keep swing seat fully reclined until child is at least 4 months old and can hold up head without help. Do not adjust the backrest too upright, and watch child during use.

## **HIGH CHAIR**

- The high chair is designed for children from 6 months of age up to a weight of 15 kg.
- Do not leave the child unattended.
- Always use the restraint system.
- Not to use the high chair until the child can sit up unaided.

- The tray and its accessories are not designed to support the child's weight. Tray does not substitute the safety harness.
- Make sure the product is placed on a flat surface.
- The high chair is designed for use at tables without the tray. It is suitable for children from 12 months of age up to a weight of 15 kg.

### **A single product which follows the growth of your child.**

- From 0 to 6 months, a comfortable recliner and swing.
- From the age of 6 months, a high chair for eating, playing and relaxing.
- From the age of 12 months, a high chair without a tray, for sitting at the table with the adults.

### **COMPONENTS OF THE ITEM**

**Check the contents of the packaging and if you have any complaints please contact the Assistance Service.**

- High chair with washable and removable padding, double tray, front bar and 4 wheels.

### **INSTRUCTIONS FOR USE**

- 1. OPENING:** Before opening the high chair, fit the wheels by pushing them in the direction of the arrow (fig. a). Lower the two support base sections one after the other to open the high chair (fig. b) and check the green rectangle to ensure it is open properly (fig. c).

### **⚠ WARNING**

**Fall Hazard:** If the base circle show red or red and green, the high chair is not fully open, it is prohibited to use any function in this condition. After opening the support base, check again that the base is fully locked.

- 2. FIVE POINT SAFETY HARNESS:** To fasten the harness, insert the two waist strap buckles (with shoulder straps attached) into the leg divider strap until you hear a click (fig. a). To release it, press the sides of the buckle and simultaneously pull the waist strap outwards (fig. b). To tighten the waist strap, pull from both sides in the direction of the arrow (fig. c). To loosen it, do the opposite.

3. The shoulder straps of the harness can be set at two different heights. Partially remove the sack (fig. a), release the shoulder straps from the backrest (fig. b1) and pull them out from the sack (fig. b2). Insert the ends of the shoulder straps in the other slots in the sack and the backrest (fig. c), then put the sack back into the right position on the backrest.
4. **BRAKE:** The brake on the seat is always applied. To move the seat, keep both buttons held down.
5. **RECLINER-SWING:** Before placing the high chair in the recliner-swing mode, remove the tray (fig. a) and the white cylindrical plastic parts from the leg divider. Then insert the protect front bar into the leg divider (fig. b). Finally, use a screwdriver to tighten the screws to secure the front bar (fig. c).
6. **SWING:** To transform the chair into a swing, place the seat in the lowest position (fig. a) and press the red buttons on the inner part of the uprights, pushing them upwards (fig. b). Swing mode (fig. c).
7. To put it back in recliner or high chair mode, make sure that the side uprights of the seat are parallel with those of the frame (fig. a), then press the red buttons and push them downwards (fig. b).

## **HIGH CHAIR**

8. **FOOTREST:** Lower the footrest (fig. a), press the two side buttons at the same time (fig. b) and select one of the three available heights.
9. **TRAY:** To fit the tray, pull the central lever underneath it towards you while at the same time pushing it all the way into the armrests (fig. a).  
To extend or remove the tray, pull the central lever underneath it towards you (fig. b) and move it outwards (fig. c). According to the baby body to adjust the 2-position trays. The high chair has a double tray. The top tray can be easily washed in a dishwasher (fig. d).
10. **USE WITHOUT THE TRAY:** To use the seat at the table, remove the tray.
11. **ADJUSTING THE HEIGHT:** The seat can be set at 7 different heights. To lower the seat, pull the two levers downwards (fig. a) and move it to the required position. Holding the handle behind the backrest (fig. b) can also be used to raise the seat.

## **⚠ WARNING**

**Fall Hazard:** This can't be done with the child in the high chair. Don't use when the horizontal height of the high chair is inconsistent.

**RECLINING BACKREST:** The seat can be reclined in 5 positions: for eating, playing, relaxing or sleeping. To adjust it, raise the handle behind the backrest (fig. c) and lock it in the required position.

**⚠ WARNING**

**Fall Hazard:** Be sure to check that the backrest is fully locked after adjustment.

**12. CLOSING AND REOPENING THE TRAY:** Pull the central lever underneath it towards you (fig. a) and extend it as far as the red markers (fig. b), then swing it upwards to lock it in place (fig. c). To reopen the tray, swing it downwards then pull the central lever towards you and put the tray in one of the positions for use.

**⚠ WARNING**

**When the tray is turned up, make sure that the chair is placed in a safe position where the child cannot reach it to prevent the tray from falling.**

**13. COMPACT CLOSURE:** Before closing the high chair, it is necessary to fold up the tray. Raise the handle behind the backrest (fig. a) put the backrest in the vertical position, lower the seat to the bottom position and fold away the footrest. To raise (Arrow\_b) and at the same time lift the white levers (Arrow\_c). The bases will lift up automatically (Arrow\_d). The high chair is freestanding when folded up.

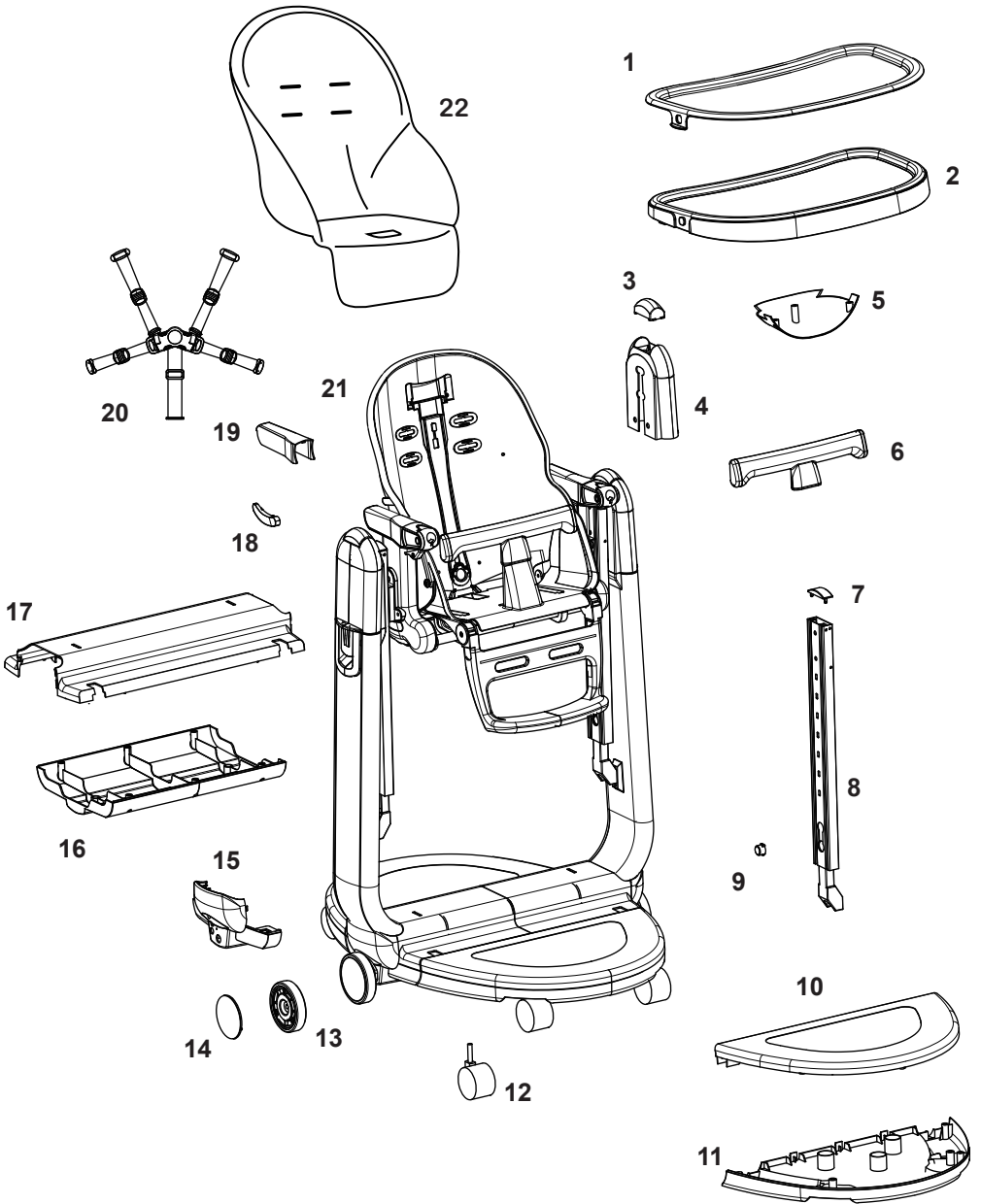
**⚠ WARNING**

**Place the folded high chair in a position that the child can't touch and prevent the high chair from falling.**

**14. REMOVABLE COVERS:** To remove the covers of the seat, pull off the upper part of the fabric covering and pull the harness straps through the backrest (fig\_a) and the fabric covering (fig\_b). Lower the backrest and pull out the leg divider strap from under the seat (fig\_c).

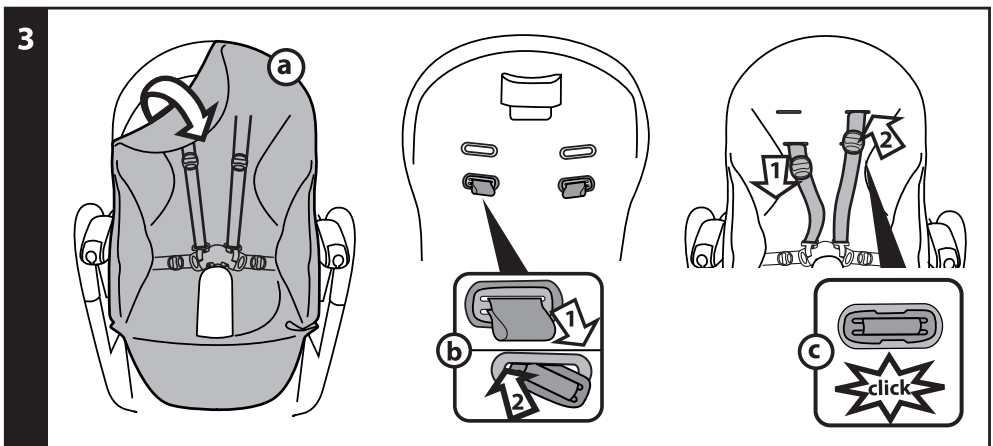
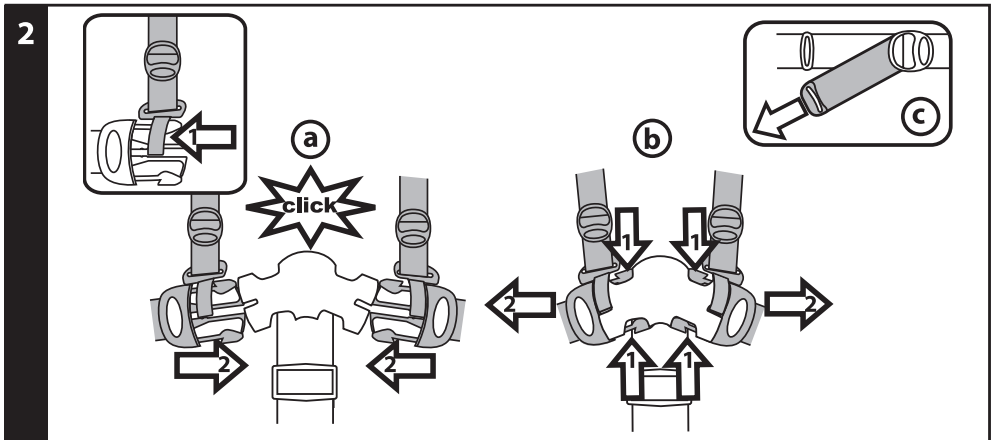
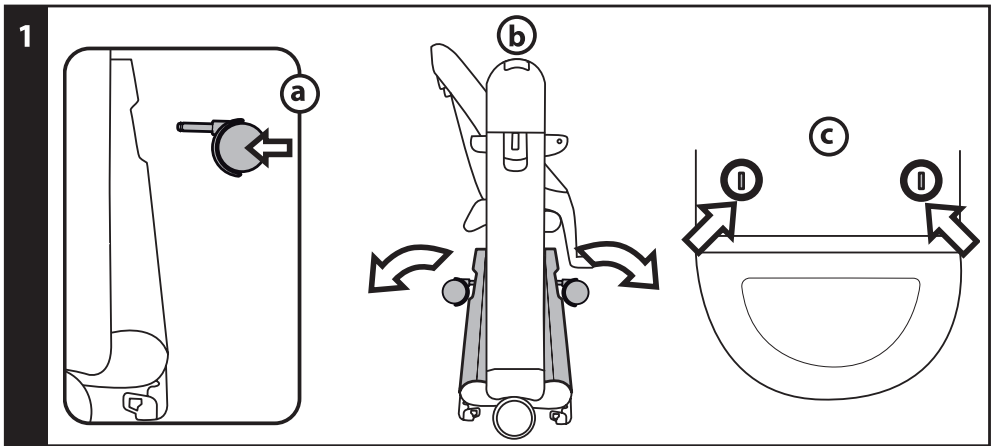
**15.** Unbutton the sack at the sides (fig. d) and pull up to remove it (fig. e).

# BABY HIGH CHAIR PARTS



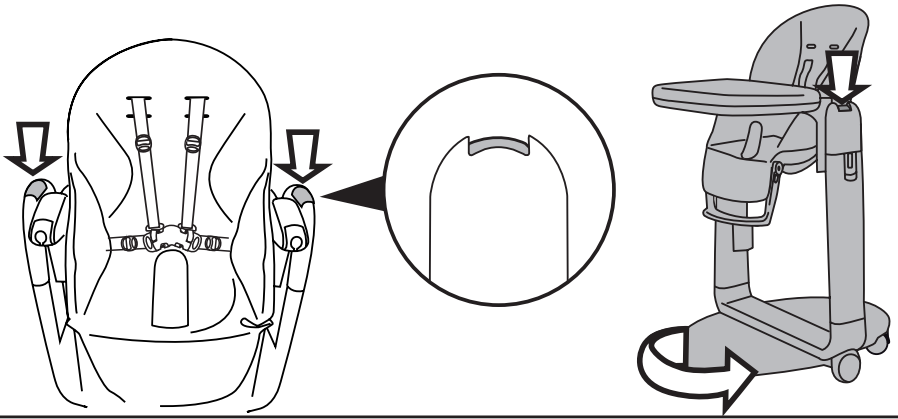
Spare parts available in different colours to be specified when ordering.

# BABY HIGH CHAIR ASSEMBLY INSTRUCTIONS

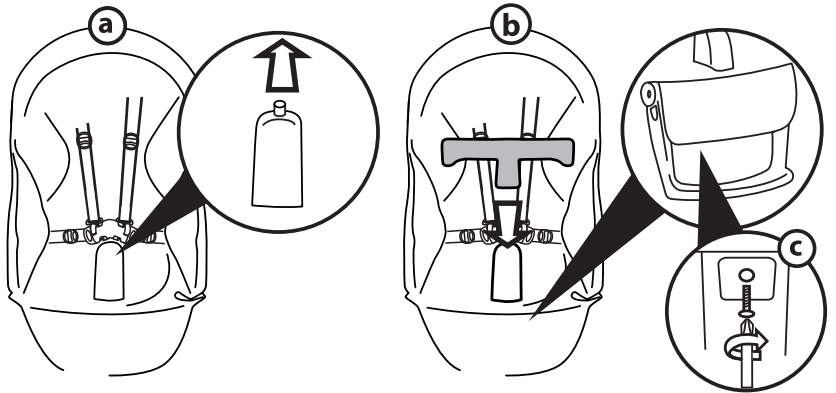




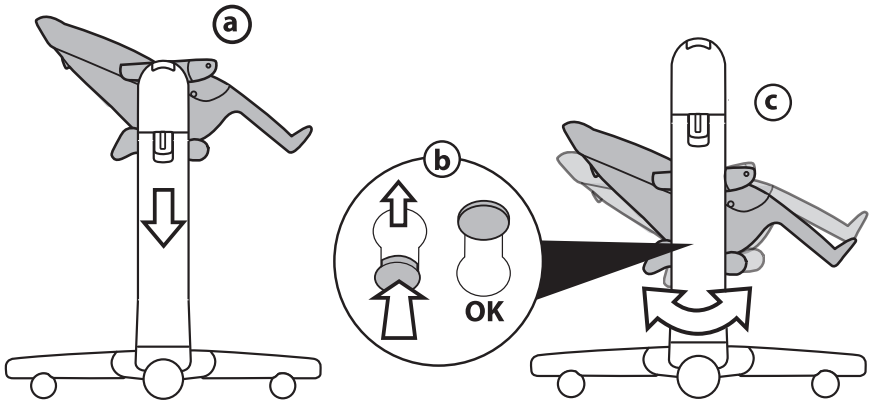
4



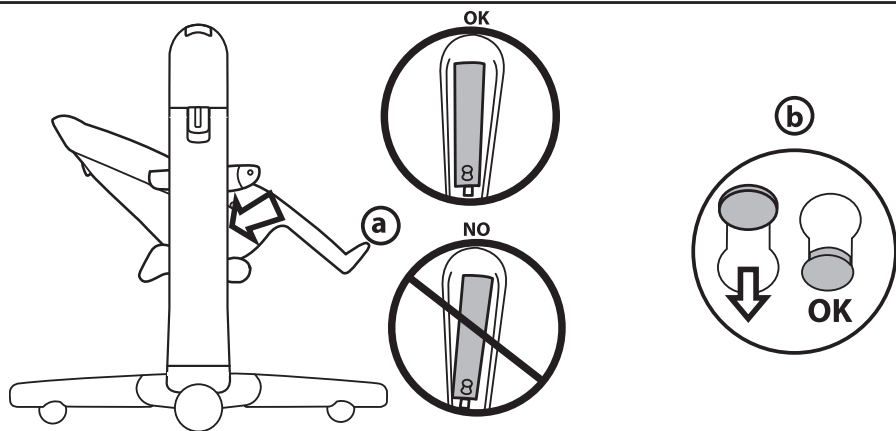
5



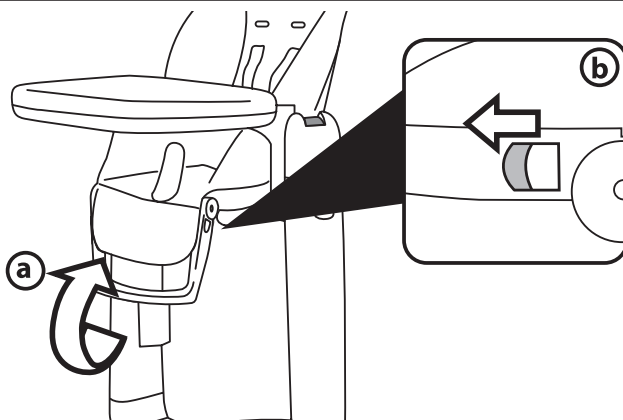
6



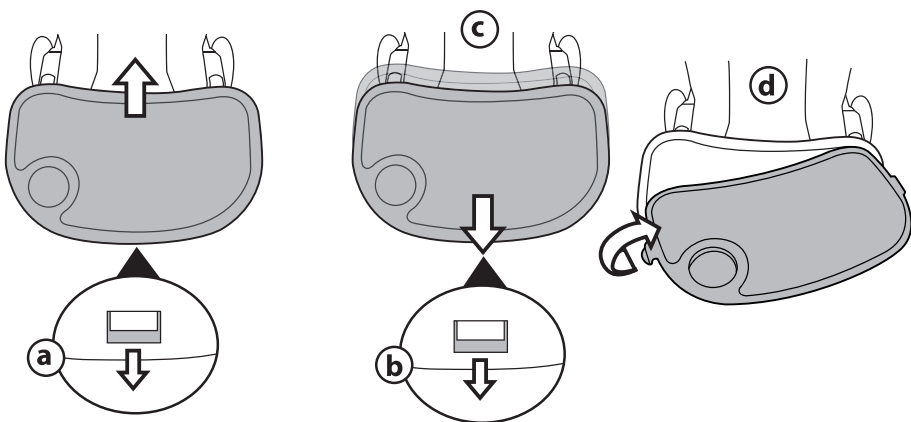
7



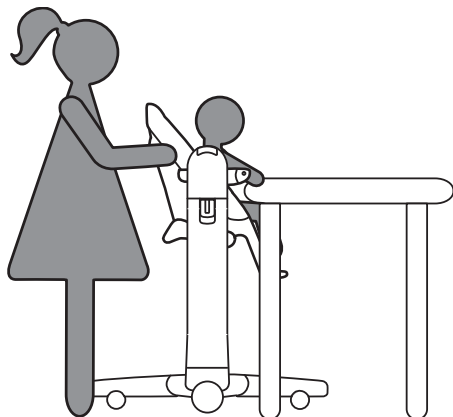
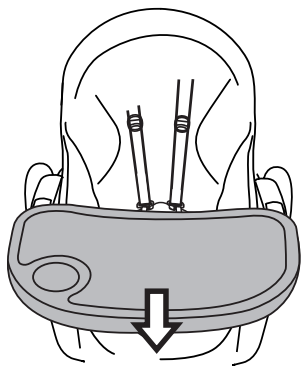
8



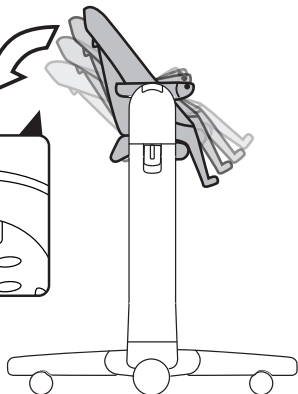
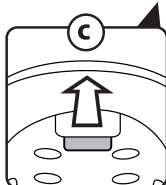
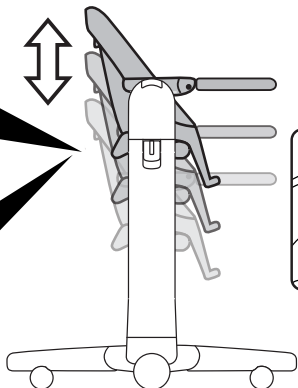
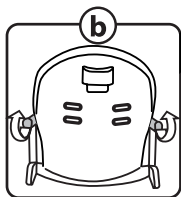
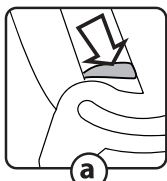
9



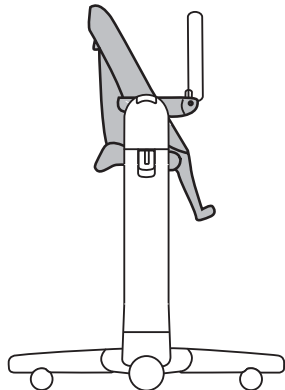
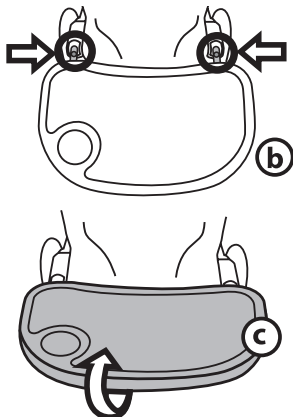
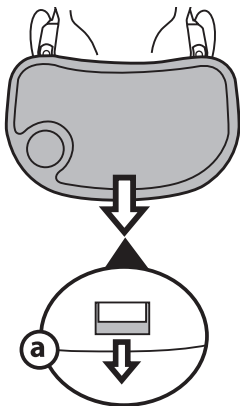
10



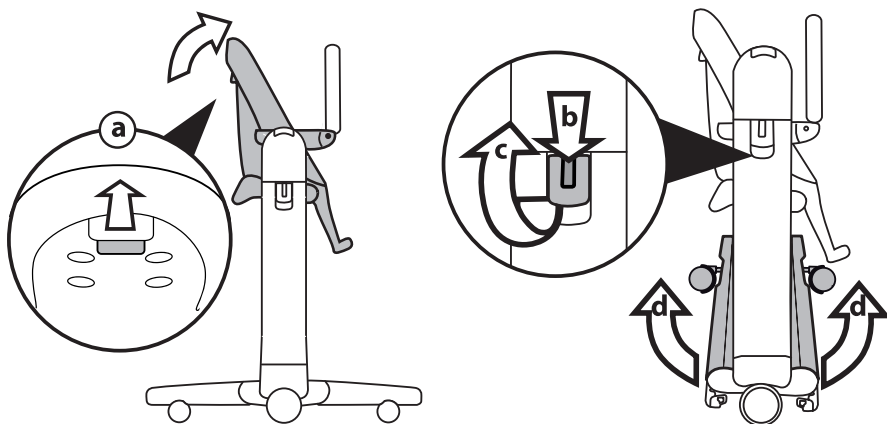
11



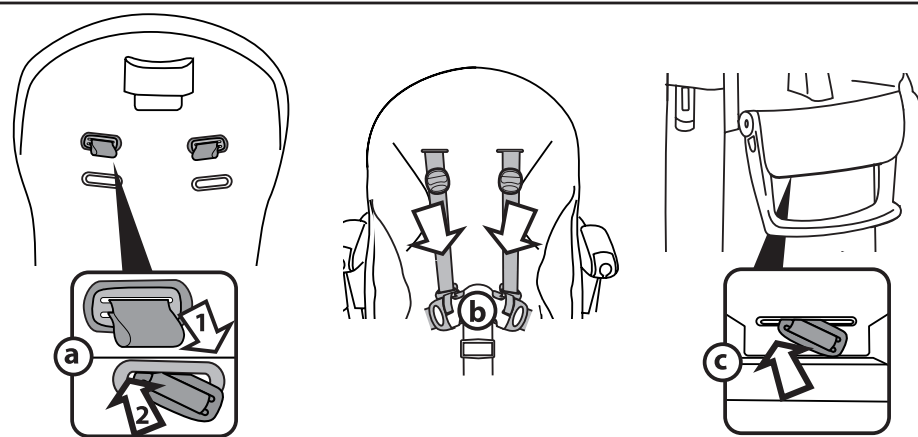
12



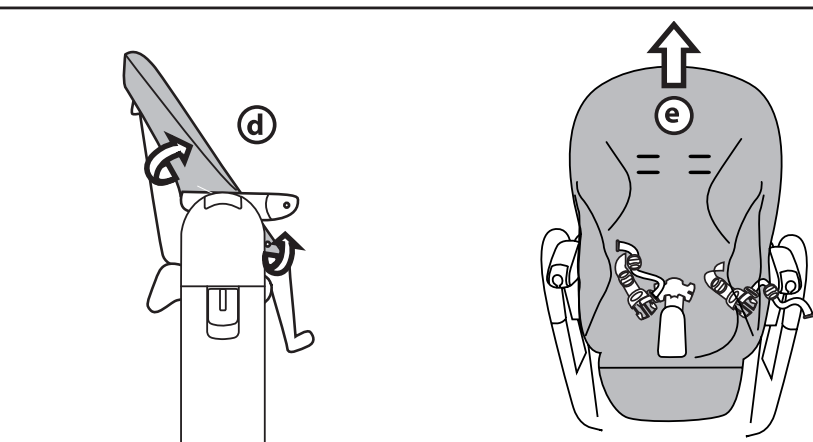
13



14



15

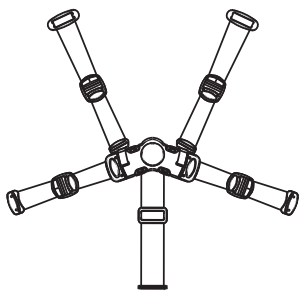


## OPTIONAL PART

- 13.** Remove the tray and remove the white cylindrical plastic parts from the leg divider (fig. a). Then insert the optional handle into the leg divider (fig. b). Finally, use a screwdriver to tighten the screws to secure the front bar (fig. c).

## ANTI-SLIDE SYSTEM

### Parts



Five-point seat belt



Leg divider



T bar



Insert block

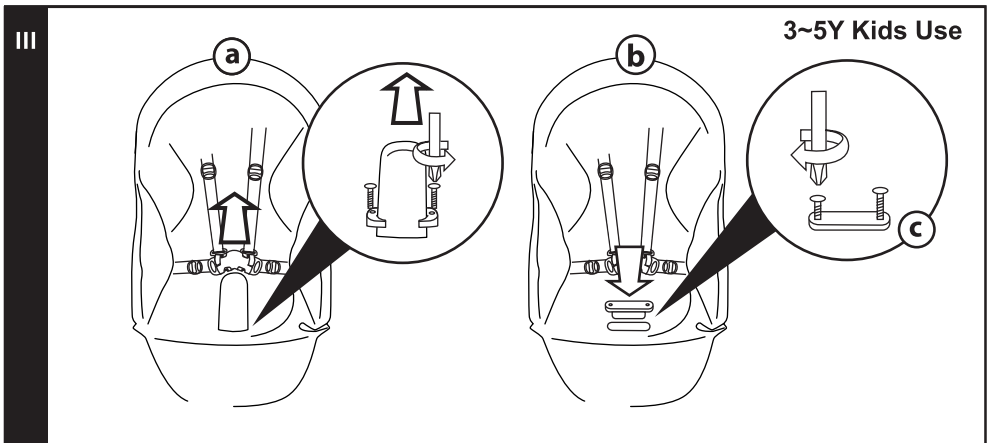
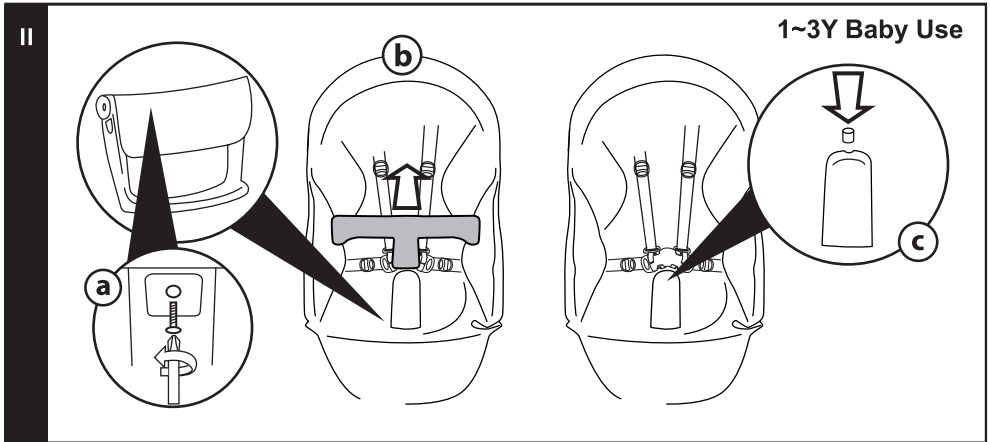
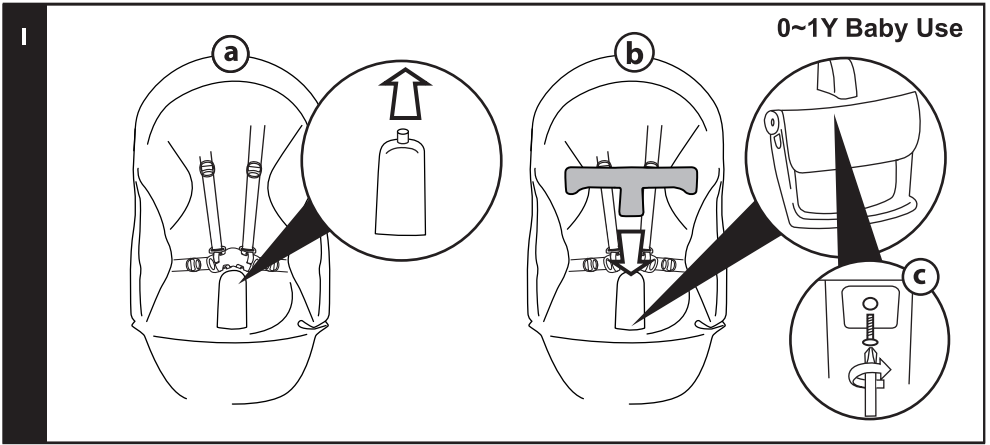
### **⚠ WARNING**

**Always use the restraint system and adjust to fit snugly.**

- I. 0~1 Year:** Please remove the white stopper from the leg divider (fig. a), then insert the T bar into the leg divider (fig. b). Finally, use a screwdriver to tighten the screws to secure the T bar (fig. c)
- II. 1~3 Year:** Use a screwdriver to loosen the screws underneath the seat (fig. a), then take out the T bar (fig. b) and put the white stopper into the leg divider (fig. c)
- III. 3~5 Year:** Turn over the cushion and loosen the screws at two sides of the leg divider, then take off the leg divider (fig. a), press the small white insert block into the seat (fig. b) and tighten the screws on both sides (fig. c)

**WARNING:** Never leave the child unattended! Please keep accessories away from babies and children to avoid harms from eating by mistake.

# ANTI-SLIDE SYSTEM ASSEMBLY INSTRUCTIONS



## **CLEANING AND MAINTENANCE**

### **PRODUCT MAINTENANCE:**

Protect from the weather: water, rain, or snow; prolonged and continuous exposure to bright sunlight may give rise to colour changes of various different materials; store this product in a dry place. The maintenance have to be regularly.

### **CLEANING THE CHASSIS:**

Periodically clean all plastic parts with a damp cloth. Do not use solvent or similar cleaning products; keep all metal parts dry to prevent rusting; keep moving parts clean (adjustment mechanisms, locking mechanisms, wheels, ...) and free of dust and sand and if necessary, lubricate with light machine oil all metallic moving parts. Check all nuts and bolts for tightness and tighten when required. check all coverings for bolts and sharp edges and replace when required. Check slightly swing seat and attachments for evidence of deterioration. Replace when required in accordance with the manufacturer's instructions.

### **CLEANING THE SACK**

- Wash with a damp cloth and neutral detergent.
- Do not wring.
- Do not use chlorine bleach.
- Do not iron.
- Do not dry clean.
- Do not use solvents for stain removal.
- Do not spin dry.



# **SLHC63S**

## **Baby High Chair**

### **Baby & Toddler Booster Seat Style Feeding Chair with Height Adjustment**

#### **Features:**

- Home Living Baby High Chair
- Toddler & Child Booster Seat Style Feeding Chair
- Used for Mealtime Food Serving & Playtime Activities
- Safe, Sturdy & Comfortable Baby Seat
- Unique Baby Swing Chair Function for Relaxing Comfort
- Hassle-Free, Quick Adjustment Setting
- Reclining with Back & Foot Support
- Seat Height Level Adjustment
- Multi-Level Back-Rest Position Adjustment
- Multi-Level Foot-Rest Position Adjustment
- Soft, Non-Irritating Cushion Material
- Built-in Five-Point Locking Child Safety Belt
- Removable, Hand Wash Only Baby Seat Cushion
- Smooth Rolling Wheels for Easy Maneuverability
- Integrated Foot-Brake Activated Wheel Lock
- Environmentally Friendly Construction
- Stain-Resistant and Easy-to-Clean
- Food Grade Safe Serving Tray
- Snack Time & Food Chair Used for Baby, Toddler, Small Children
- \*Some Assembly Required



## What's in the Box:

- Baby High-Chair
- Seat Cushion
- Integrated Child Safety Belt
- Detachable Food Tray

## Technical Specs:

- Suitable for Ages: 0 - 5 Years
- Seat Height Level Adjustment: (7) Positions
- Seat Height Level Height (from Floor): 19.6" - 28.3" -inches
- Seat Back-Rest Level Adjustment: (5) Positions
- Seat Foot-Rest Level Adjustment: (3) Positions
- Construction Material: Engineered ABS, Synthetic Leather Cushion, Reinforced Aluminum Metal Frame
- Total Assembled Baby Chair Size (L x W x H): 25.6" x 31.5" x 37.8" -inches

### Questions? Issues?

We are here to help!

Phone: (1) 718-535-1800

Email: [support@pyleusa.com](mailto:support@pyleusa.com)



**WARNING:**

This product can expose you to a chemical or group of chemicals, which may include "Cadmium" which is known in the state of California to cause cancer, birth defects, or other reproductive harm. For more info, go to <https://www.p65warnings.ca.gov/>.



SereneLife