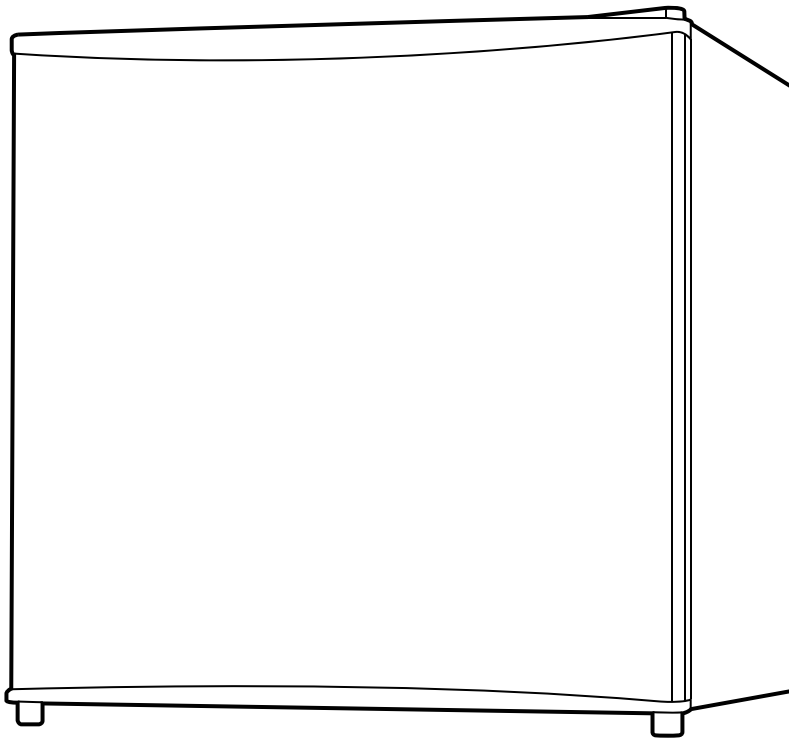


Honeywell

1.1 Cubic Feet Compact Freezer User Manual

Read and save these instructions before use



H11MFB

H11MFS

H11MFW

CONTENTS

1 Safety Warnings

1.1 Warning	1-2
1.2 Electricity related warnings	3
1.3 Related warnings for use	3
1.4 Warnings related to placing items	4
1.5 Warnings for energy	4
1.6 Warnings related to disposal	5

2 Proper Use of Upright Freezer

2.1 Names of components	6
2.2 Temperature control	6
2.3 Placement	7
2.4 Start to use	7
2.5 Energy saving tips	7
2.6 Leveling feet	8
2.7 Reversing the door swing (optional)	8-10

3 Maintenance of Upright Freezer

3.1 Cleaning	11
3.2 Defrost	11
3.3 Stop using	11

4 Troubleshooting	12
-------------------------	----

DEAR CUSTOMER:

Thank you for buying this upright freezer. To ensure that you get the best results from your new product, please take the time to read through the instructions in this booklet. Please ensure that the packing material is disposed of in accordance with the current environmental requirements. When disposing of any upright freezer equipment, please contact your local waste disposal department for advice on safe disposal. This appliance must be only used for its intended purpose.

1 SAFETY WARNINGS

1.1 Warning



WARNING: risk of fire / flammable materials

This appliance is intended to be used in household, non-retail applications.

This appliance is not intended for use by persons (including children) with reduced physical, sensory or mental capabilities unless they have been given permission by a person responsible for their safety. Children should be supervised to ensure that they do not play with the appliance.

If the supply cord is damaged, it must be replaced by the manufacturer, its service agent, or similarly qualified persons in order to avoid a hazard.

The appliance has to be unplugged after use and before carrying out user maintenance.

DO NOT store explosive substances such as aerosol cans in this appliance.

DO NOT use extension cords or ungrounded (two prong) adapters.

WARNING: Keep ventilation openings, in the appliance enclosure or in the built-in structure, clear of obstruction.

WARNING: Do not use mechanical devices or other means to accelerate the defrosting process, other than those recommended by the manufacturer.

WARNING: Do not damage the refrigerant circuit.

WARNING: Do not use electrical appliances inside the food storage compartments of the appliance, unless they are the type recommended by the manufacturer.

WARNING: This freezer uses flammable blowing gas and refrigerant. Please dispose of according to local regulators.

WARNING: When positioning the appliance, ensure the supply cord is not trapped or damaged, and that it is positioned in accordance with the instructions.

WARNING: Do not locate multiple portable socket-outlets or portable power supplies at the rear of the appliance.

DANGER: Risk of child entrapment. Before disposing your old freezer:

- Take off the doors.
- Leave the shelves in place so that children may not easily climb inside.

The freezer must be disconnected from the source of electrical supply before attempting the installation of accessory.

Refrigerant and cyclopentane foaming material used for the appliance are flammable. To prevent damage to the environment or any other harm, when the appliance is scrapped, please keep away from any fire source.

For EN standard: This appliance can be used by children aged 8 years and above and persons with reduced physical sensory or mental capabilities if they have been given instruction concerning the use of the appliance in a safe way and understand the hazards involved. Children shall not play with the appliance. Cleaning and user maintenance shall not be made by children without supervision. Children aged 3 to 8 are allowed to load and unload refrigerating appliances.

To avoid contamination of food, please read the following:

- Opening the door for long periods can cause a significant increase of the temperature in the compartments of the appliance.
- Regularly clean surfaces that can come in contact with food and accessible drainage systems.
- Clean water tanks if they have not been used for 48 h; flush the water system connected to a water supply if water has not been drawn for 5 days.
- Store raw meat and fish in suitable containers in the freezer to prevent it from contacting or dripping onto other food.
- If the freezer is left empty for long periods, switch off, defrost, clean, dry, and leave the door open to prevent mold from developing within the appliance.

This upright freezer is not intended to be used as a built-in appliance.

1.2 Electricity Related Warnings

- Do not pull the power cord when unplugging the upright freezer. Please firmly grasp the plug and pull out it from the socket directly.
- Do not damage the power cord under any condition, do not use when the power cord is damaged or the plug is worn.
- Replace worn or damaged power cord in manufacturer-authorized maintenance stations.
- To prevent a fire, the power plug should be firmly contacted with the socket. Please ensure that the grounding electrode of the power socket is equipped with a reliable grounding line.
- In case of a gas leak, please turn off the valve of the leaking gas and then open the doors and windows. Do not unplug the upright freezer and other electrical appliances since that spark may cause a fire.
- To ensure safety, it is not recommended to place regulators, rice cookers, microwave ovens and other appliances on the top of the upright freezer, unless recommended by the manufacturer.

1.3 Related Warnings for Use

- Do not arbitrarily disassemble or reconstruct the upright freezer, nor damage the refrigerant circuit. Maintenance of the appliance must be conducted by a specialist.
- Damaged power cord must be replaced by the manufacturer, its maintenance department, or related professionals in order to avoid danger.
- To prevent injury, do not to put your hand between the upright freezer doors and body. Please be gentle when opening the door to avoid falling items.
- To avoid frostbite, do not handle food or containers, especially metal, with wet hands in the freezing chamber when the upright freezer is running.
- Do not allow children to enter or climb the upright freezer to prevent entrapment or injury.
- Do not spray, wash, or put the upright freezer in moist places or places where it can be easily splashed with water to protect the electrical insulation properties.
- Do not place heavy objects on the top of the appliance. Objects may fall when opening the door, and may cause accidental injury.
- Please pull out the plug in case of power failure or cleaning. Do not connect the upright freezer to power supply within five minutes to prevent damages to the compressor due to successive starts.

1.4 Warnings Related to Placing Items

- Do not put flammable, explosive, volatile, and highly corrosive items in the upright freezer to prevent damages to the product or fires.
- Do not place flammable items near the upright freezer to avoid fires.
- This product is household upright freezer and is suitable for the storage of foods. According to national standards, household upright freezers shall not be used for other purposes, such as storage of blood, drugs or biological products.
- Do not place items such as bottled or sealed container of fluid such as bottled beers and beverages in the upright freezer.

1.5 Warnings for Energy

- Upright freezer might not operate consistently when sited for an extended period of time below the range of temperatures that it is designed to withstand.
- Do not exceed the storage time recommended by the food manufacturers for any kind of food and commercially quick-frozen food in upright freezer.
- A rise in temperature of the frozen food during maintenance or cleaning could shorten the storage life.

1.6 Warnings Related to Disposal

The upright freezer's refrigerant and cyclopentane foam materials are combustible materials. Discarded upright freezers should be isolated from fire sources and can not be burned. Please transfer the upright freezer to qualified professional recycling companies for processing to avoid damages to the environment or other hazards.

Please remove the door of the upright freezer and shelves to prevent children from entering and playing in the upright freezer.

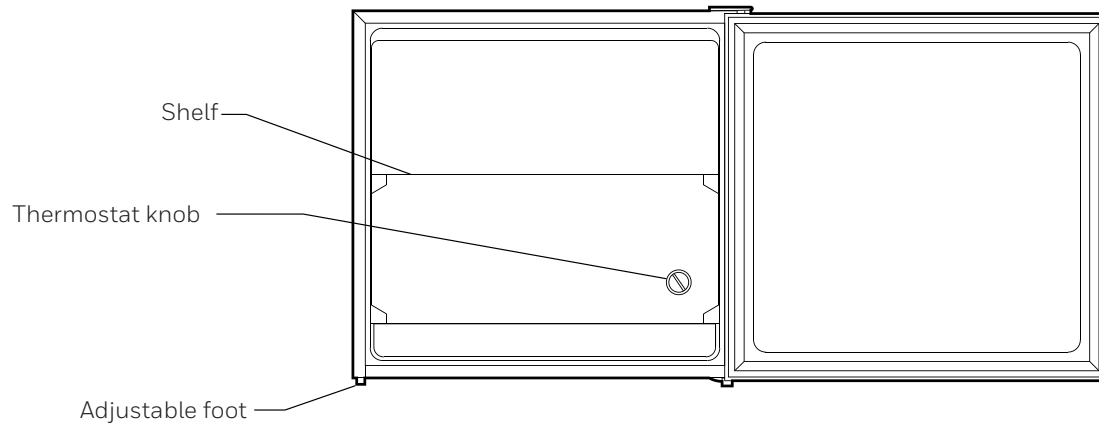
Correct Disposal of this product:



This marking indicates that this product should not be disposed with other household wastes. To prevent possible harm to the environment or human health from uncontrolled waste disposal, recycle it responsibly to promote the sustainable reuse of material resources. To return your used device, please use the return and collection systems or contact the retailer where the product was purchased. Contact the retailer as many will take them back for recycling.

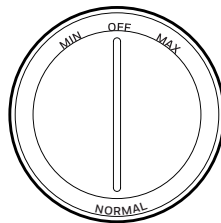
2 PROPER USE OF UPRIGHT FREEZER

2.1 Names of Components



- The low temperature of upright freezer may keep food fresh for a long time and it is mainly used to store frozen foods and to make ice.
- The upright freezer is suitable for storage of meat, fish, shrimp, pastries and other foods not to be consumed in short term.
- Chunks of meat are preferably to be divided into small pieces for easy access. Please be noted food shall be consumed within the shelf time.

2.2 Temperature Control



(The picture above is only for reference. The actual configuration will depend on the physical product or statement by the distributor.)

- The markings on control knob indicate the “MIN, NORMAL, MAX and OFF” for the different temperature level.

“MIN.” is the warmest setting;

”MAX.” is the coldest setting;

For normal use, please set the control knob to “NORMAL” position.

Recommended gear: ”NORMAL”

2.3 Placement

- Before using the upright freezer, remove all packaging materials including bottom cushions, foam pads and tape inside, tear off the protective film on the door and the upright freezer body.
- The upright freezer should be placed in a well-ventilated indoor place on ground that is flat and sturdy.
- Keep away from heat and avoid direct sunlight. Do not place the upright freezer in moist or watery places to prevent rust or reduction of insulation.
- Please leave at least 30 cm of space above the upright freezer, and 10 cm from both sides and backside to facilitate heat dissipation.

2.4 Start to Use

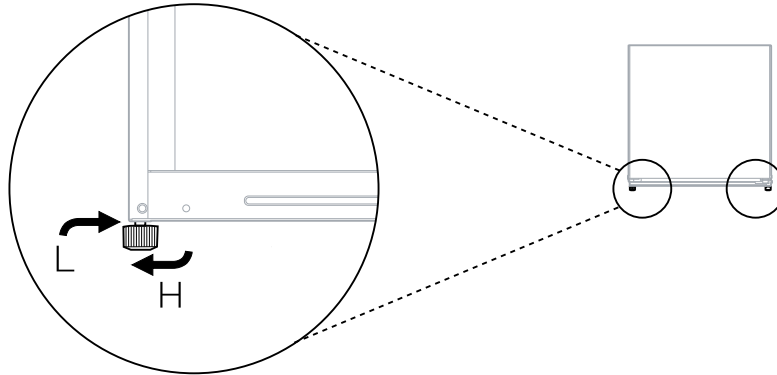
- The freezer must stand upright for half an hour before connecting power when it is first started.
- Run the upright freezer for 2 to 3 hours, or 4+ hours in the summer, before loading fresh or frozen food.

2.5 Energy Saving Tips

- The appliance should be located in the coolest area of the room, away from heat producing appliances or heating ducts, and out of the direct sunlight.
- Let hot foods cool to room temperature before placing in the appliance. Overloading the appliance forces the compressor to run longer. Food that freeze too slowly may lose quality, or spoil.
- Be sure to wrap food properly, and wipe containers dry before placing them in the appliance to cut down frost build-up inside the appliance.
- Do not line storage bin with aluminum foil, wax paper, or paper towels. Liners interfere with cold air circulation, making the appliance less efficient.
- Organize and label food to reduce door openings and extended searches. Remove as many items as needed at one time, and close the door as soon as possible.

2.6 Leveling Feet

Schematic diagram of the leveling feet

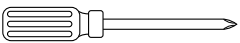
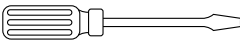



(The picture above is only for reference. The actual configuration will depend on the physical product or statement by the distributor.)

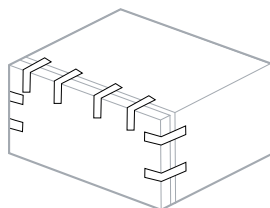
Adjusting procedures:

- a. Turn the feet clockwise to raise the upright freezer;
- b. Turn the feet counterclockwise to lower the upright freezer;
- c. Adjust the right and left feet based on the procedures above to a horizontal level.

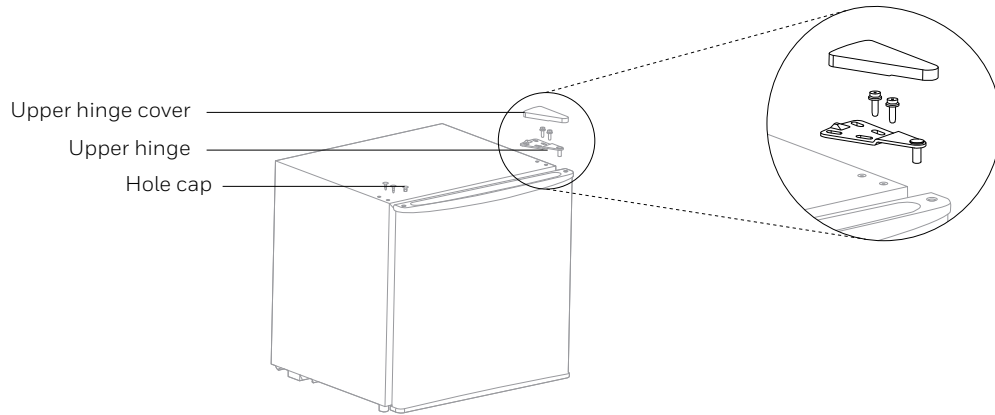
2.7 Reversing the Door Swing (optional)

List of tools to be provided by the user	
	Phillips head screwdriver
	Flat head screwdriver
	Masking tape

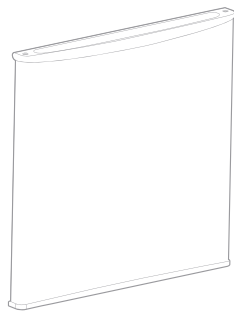
01 Remove all food from door shelves. Fix the door with tape.



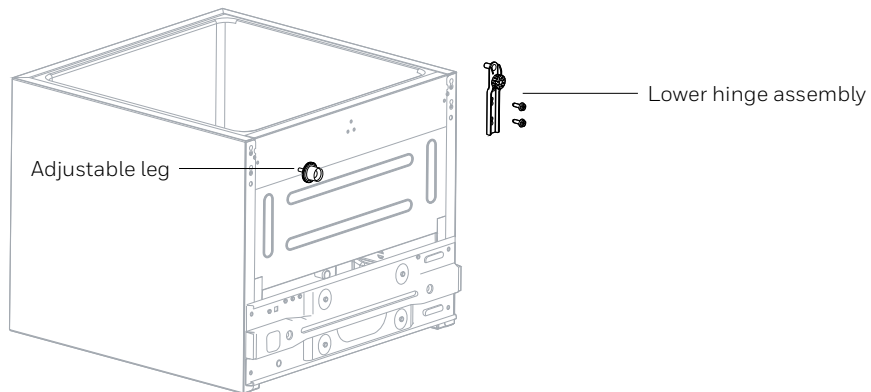
02 Dismantle hole caps, the upper hinge cover, fitting screws of upper hinge, and remove the upper hinge. Please keep the door vertical to prevent it from falling;



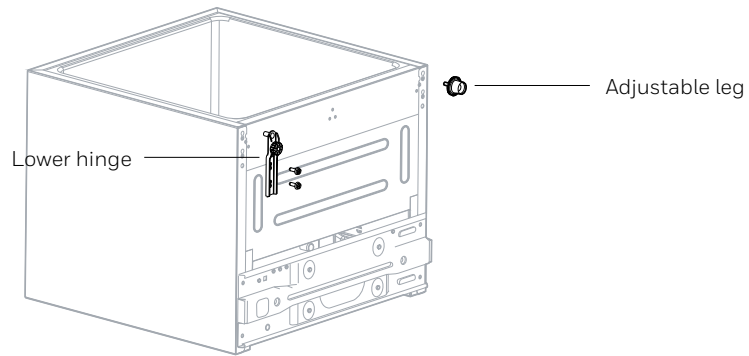
03 Remove the door;



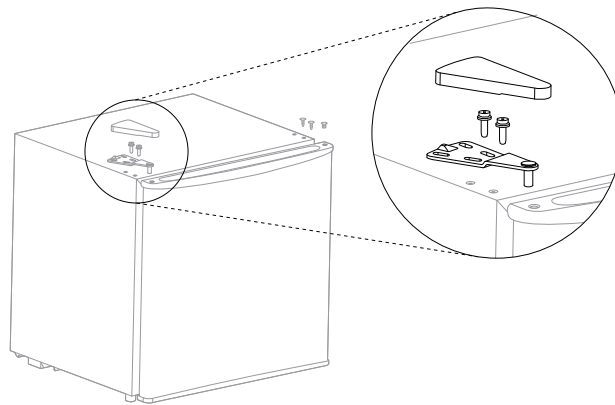
04 Dismantle the lower hinge assembly and adjustable leg;



05 Install the lower hinge and adjustable leg on lower left side of cabinet and lower right side respectively;



06 Put the door on lower hinge vertically, then install the upper hinge by fitting screws and the hinge cover. Cover the hole caps on upper right side.



3 MAINTENANCE OF UPRIGHT FREEZER

3.1 Cleaning

- Clean dust behind the upright freezer and on the ground to improve the cooling effect and energy saving.
- Check the door gasket regularly to make sure there is no debris. Clean the door gasket with a soft cloth dampened with soapy water or diluted detergent.
- Clean the interior of the upright freezer regularly to avoid odor.
- Please turn off the power before cleaning interior, remove all food, shelves, drawers, etc.
- Use a soft cloth or sponge to clean the inside of the upright freezer, with two tablespoons of baking soda and a quart of warm water. Then rinse with water and wipe clean. After cleaning, open the door and let it dry naturally before turning on the power.
- For areas that are difficult to clean (such as narrow gaps or corners), it is recommended to wipe them regularly with a soft rag, soft brush, etc. to ensure no contaminants or bacteria accumulate in these areas.
- Do not use soap, detergent, scrub powder, spray cleaner, etc., as these may cause odors in the interior of the upright freezer or contaminate food.
- Clean the bottle frame, shelves and drawers with a soft cloth dampened with soapy water or diluted detergent. Dry with a soft cloth or dry naturally.
- Wipe the outer surface of the upright freezer with a soft cloth dampened with soapy water, detergent, etc., and then wipe dry.
- Do not use hard brushes, clean steel balls, wire brushes, abrasives (such as toothpastes), organic solvents (such as alcohol, acetone, banana oil, etc.), boiling water, acid or alkaline items, which may damage the cooler surface and interior. Boiling water and organic solvents such as benzene may deform or damage plastic parts.
- Do not rinse directly with water or other liquids during cleaning to avoid short circuits or damage to the electrical insulation.



Please unplug the upright freezer for defrost and cleaning.

3.2 Defrost

- Manually defrost the upright freezer. Disconnect the plug from the wall socket, open the door and remove all the food to a cool place. It is recommended to remove the frost by a plastic scraper, or let the temperature rise naturally until the frost melts. Then wipe away the remaining ice and water, and plug in the freezer.



Do not use other mechanical devices or other means to accelerate the defrosting process except those recommended by the manufacturer. Do not damage the refrigerant circuit.

3.3 Stop Using

Power failure: Food can usually be preserved for a couple of hours in case of power failure. It is recommended to reduce the frequency of opening the door and to not put fresh food into the upright freezer.

Long-time nonuse: Please unplug unused upright freezer for cleaning. Keep the door open to avoid odor.

Moving: Do not turn upside or shake the upright freezer, the carrying angle can not be greater than 45°.

Do not hold the door and hinge when moving this unit.



Continuous operation is recommended when the upright freezer is started. To prevent affecting the upright freezer's service life, please do not stop the upright freezer under normal circumstances.

4 TROUBLESHOOTING

Inoperation	<p>Ensure the upright freezer is plugged in and connected to power</p> <p>Check that the voltage is not low</p> <p>The temperature control knob is not set to "OFF"</p>
Odor	<p>Thoroughly clean the interior of the upright freezer.</p>
Long-term operation of compressor	<p>Do not overload the upright freezer</p> <p>Do not put hot contents in the freezer</p> <p>Note that it is normal that the upright freezer operates for a longer time in summer when the ambient temperature is higher</p>
The upright freezer door can not be properly closed	<p>Check for any items blocking the upright freezer door or unbalanced placement of items.</p>
Loud noises	<p>Ensure that the freezer is sitting on a flat and stable surface</p> <p>Ensure that the upright freezer accessories are properly placed</p>
Transient difficulty in door opening	<p>Pressure differences between the inside and outside of the upright freezer may result in transient difficulty in door opening.</p>
Upright freezer enclosure heat condensation	<p>The upright freezer enclosure may emit heat during operation, especially in summer, caused by the radiation of the condenser; this is normal.</p> <p>Condensation may be detected on the exterior surface and door seals of the upright freezer when humidity is high; this is normal.</p>
Airflow sound Buzz Clatter	<p>The compressor may cause a buzzing sound when starting up or shutting down.</p> <p>The solenoid valve or electric switch valve may create a clattering sound which is normal and does not affect the operation.</p>

If you want to return or replace the product, please contact the store where it was purchased (remember to bring the purchase invoice). If your product needs repair, please contact us via email or phone.

BHRS Group, LLC

585 Prospect St.
Lakewood, NJ 08701

Customer Service Tel: 1-800-604-0295
Customer Service Email: support@honeywellcoolingappliances.com
Website: honeywellcoolingappliances.com

©2021 BHRS Group, LLC. All Rights Reserved.

The Honeywell Trademark is used under license from Honeywell International Inc. Honeywell International Inc. makes no representations or warranties with respect to this product. This product is manufactured by BHRS Group, LLC.

MADE IN CHINA

Honeywell