

INSIGNIA™

## QUICK SETUP GUIDE

12" Retro  
Table Fan

NS-FR12CH8/NS-FR12CU8

## PACKAGE CONTENTS

- 12" table fan
- *Quick Setup Guide*

## IMPORTANT SAFETY INSTRUCTIONS

READ AND SAVE THESE IMPORTANT INSTRUCTIONS

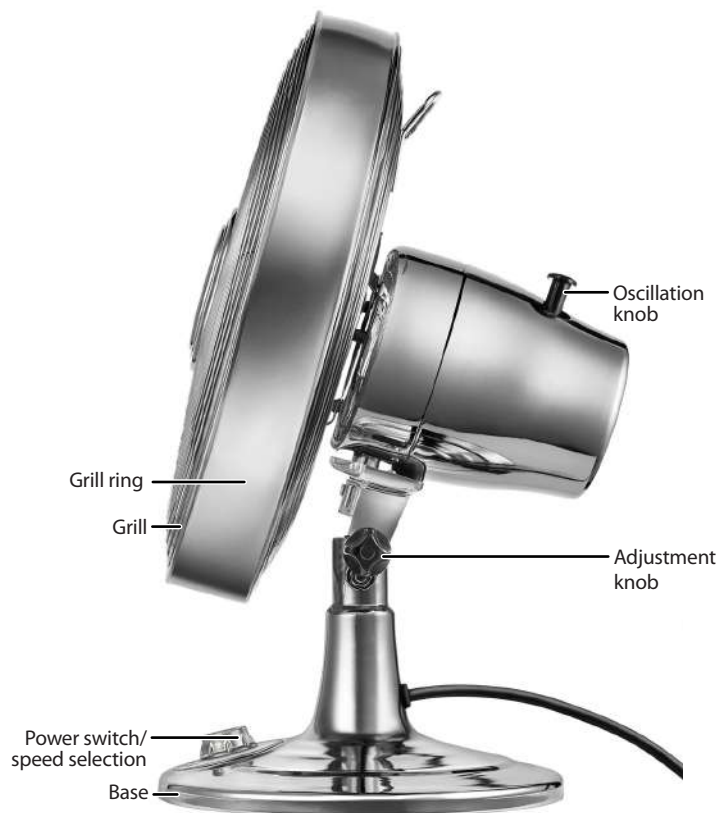
- 1 Use your fan only as described in this *Quick Setup Guide*.
- 2 Do not use your fan if it works intermittently, stops working entirely, or parts are missing or damaged.
- 3 **WARNING:** To reduce the risk of fire or electrical shock, DO NOT use this fan with any solid-state speed control devices (such as a dimmer switch) or expose it to water.
- 4 To help prevent electrical shock, do not immerse your fan, plug, or power cord in water or spray it with liquids.
- 5 Close supervision is needed when your fan is being used near children.
- 6 Unplug your fan before moving or cleaning it, or when it is not in use.
- 7 Never insert fingers or other objects through the grill while the fan is running.
- 8 Make sure your fan is on a stable surface during use so it won't overturn.
- 9 Do not use your fan in an open window. Rain may cause an electrical hazard.
- 10 Do not use your fan near explosive or flammable fumes.
- 11 Do not place your fan or its parts near an open flame, stove, or other heating appliances.
- 12 Do not use your fan if the cord or plug is damaged. Throw your fan away or return it to an authorized service facility for examination and/or repair.
- 13 Do not use your fan after a malfunction, drop, or if it is damaged in any way.
- 14 To unplug, pull the plug from the power outlet. Never yank on the power cord.
- 15 Always use your fan on a dry surface.

- 16 This fan is intended for household use only. Do not use it for commercial or industrial use.
- 17 Do not use this fan near curtains, plants, window treatments, or other loose fabrics.
- 18 This fan uses a fuse for overload protection. A blown fuse indicates that an overload or short-circuit has occurred. If the fuse blows, unplug the fan from the outlet, then replace the fuse as indicated (using only a 5 Amp, 125 Volt fuse). If the replacement fuse blows, a short-circuit may be present and the product should be thrown away or returned to an authorized service facility for examination and/or repair.
- 19 Do not run the power cord under carpeting, throw rugs, runners, or other coverings. Do not route the cord under furniture or appliances. Keep the cord away from traffic areas where it could be tripped over.

**Power cord**

- To insert the plug, hold it firmly and guide it into the outlet.
- To unplug, hold the plug and remove it from the outlet.
- Never pull or yank on the cord or fan.
- Check the cord for cuts and abrasion marks before each use.
- Do not wrap the cord tightly around the fan. This could stress the cord where it enters the fan and cause it to fray and break.

## FEATURES



## USING YOUR FAN

### Speed selection

The power switch is incorporated in the speed control switch on the base of the fan.

0 - The fan is switched off.

I - The fan operates at a low speed.

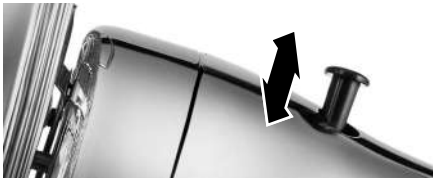
II - The fan operates at a medium speed.

III - The fan operates at a high speed.



### Oscillation

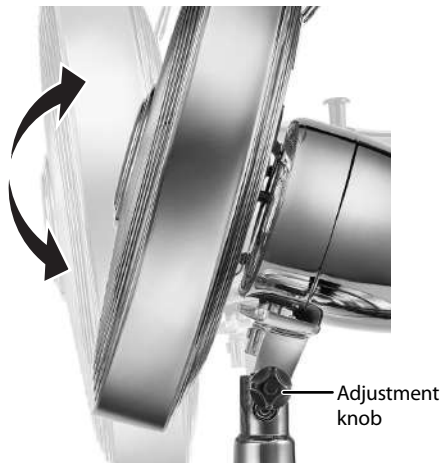
To allow the fan to oscillate, push the knob down. Pull up on the knob if you don't want it to oscillate.



### Angle adjustment

1 Loosen the adjustment knob.

2 Adjust the fan to the angle you want, then retighten the knob to secure the fan at that angle.



## REPLACING THE FUSE

If your fan stops working, you may need to replace the fuse (not included).

**Warning:** Risk of fire. Replace the fuse only with a 5A, 125 Volt fuse. Do not force the fuse into place.

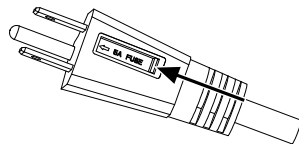
1 Unplug the fan.

2 Slide open the fuse access cover on top of the AC power plug.

3 Remove the fuse.

4 Replace the fuse, then slide the fuse access cover closed.

**Caution:** Do not replace the AC power plug. Discard the product if the plug is damaged.



## CLEANING YOUR FAN

- Unplug the fan.
- Clean plastic parts with mild soap and a damp cloth or sponge. Thoroughly remove soap film with clear water.
- Do not splash water or other liquid into the motor.

## SPECIFICATIONS

- **Dimensions (H x W x D):** 17.1 x 13.5 x 10 in. (43.5 x 34.2 x 25.5 cm)
- **Volts:** 120V, 60Hz
- **Speeds :** 3

## ONE-YEAR LIMITED WARRANTY

Visit [www.insigniaproducts.com](http://www.insigniaproducts.com) for details.

## CONTACT INSIGNIA:

For customer service, call 1-877-467-4289 (U.S. and Canada) or 01-800-926-3000 (Mexico)

[www.insigniaproducts.com](http://www.insigniaproducts.com)

INSIGNIA is a trademark of Best Buy and its affiliated companies.  
Distributed by Best Buy Purchasing, LLC  
©2016 Best Buy. All rights reserved.

**Made in China**