

INSIGNIA™

QUICK SETUP GUIDE

45-Bottle Wine Cooler

NS-WC45BK7



PACKAGE CONTENTS

- 45-bottle wine cooler
- Quick Setup Guide



FIND YOUR USER GUIDE ONLINE!

Go to www.insigniaproducts.com, then click **Support & Service**. Enter **NS-WC45BK7** in the box under *Manual, Firmware, Drivers & Product Information*, then click ►.

Before using your new product, please read these instructions to prevent any damage.

IMPORTANT SAFETY INSTRUCTIONS

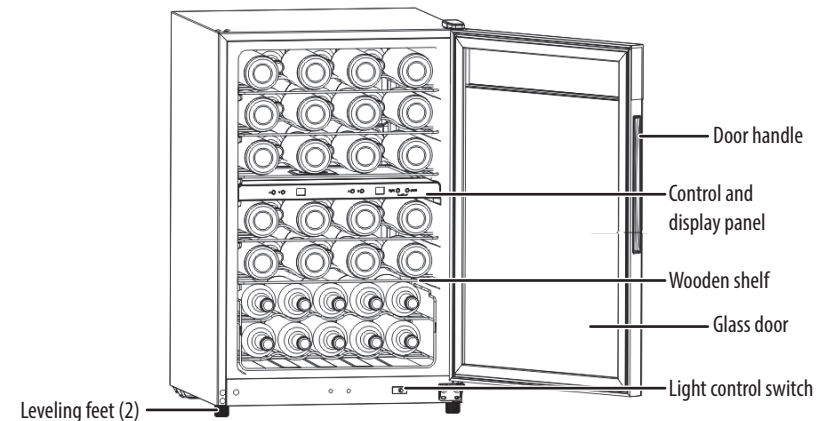
- 1 Read these instructions.
- 2 Keep these instructions.
- 3 Heed all warnings.
- 4 Follow all instructions.
- 5 Do not use this appliance near water.
- 6 Clean only with a damp cloth.
- 7 Do not block any ventilation openings. Install in accordance with the manufacturer's instructions.
- 8 Do not install near any heat sources such as radiators, heat registers, stoves, or other apparatus (including amplifiers) that produce heat.
- 9 Do not defeat the safety purpose of the polarized or grounding-type plug. A polarized plug has two blades with one wider than the other. A grounding type plug has two blades and a third grounding prong. The wide blade or the third prong are provided for your safety. If the provided plug does not fit into your outlet, consult an electrician for replacement of the obsolete outlet.
- 10 Protect the power cord from being walked on or pinched particularly at plugs, convenience receptacles, and the point where they exit from the appliance.
- 11 Do not attempt to modify or extend the power cord of this appliance.
- 12 Unplug this appliance during lightning storms or when it will not be used for long periods of time.
- 13 Make sure that the available AC power matches the voltage requirements of this appliance.
- 14 Do not handle the plug with wet hands. This could result in an electric shock.
- 15 Unplug the power cord by holding the plug, never by pulling the cord.
- 16 Do not turn the appliance on or off by plugging or unplugging the power cord.
- 17 Turn off the appliance before unplugging it.
- 18 Refer all servicing to qualified service personnel. Servicing is required when the appliance has been damaged in any way, such as the power-supply cord or plug is damaged, liquid has been spilled or objects have fallen into the appliance, the appliance has been exposed to rain or moisture, does not operate normally, or has been dropped.
- 19 To reduce the risk of fire or electric shock, do not expose this appliance to rain, moisture, dripping, or splashing, and no objects filled with liquids should be placed on top of it.

Grounding requirement

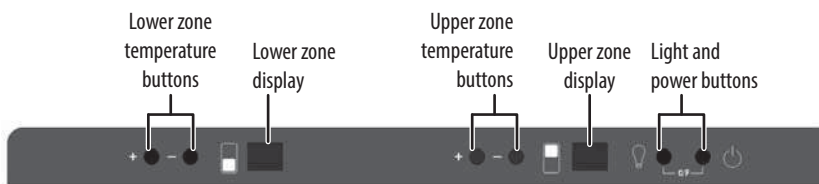
This cooler must be grounded. This wine cooler is equipped with a cord having a grounding wire with a grounding plug. The plug must be inserted into an outlet that is properly installed and grounded. Improper use of the grounding plug can result in a risk of electric shock. Consult a qualified electrician or service person if the grounding instructions are not completely understood, or if doubt exists as to whether the cooler is properly grounded.

FEATURES

- 45-bottle capacity
- Mechanical button with LED display
- Sliding wood shelves (5)
- Wood wine basket (1)
- Interior LED light
- Adjustable leveling feet (2)



Control and display panel



SETTING UP YOUR COOLER

Before using your cooler

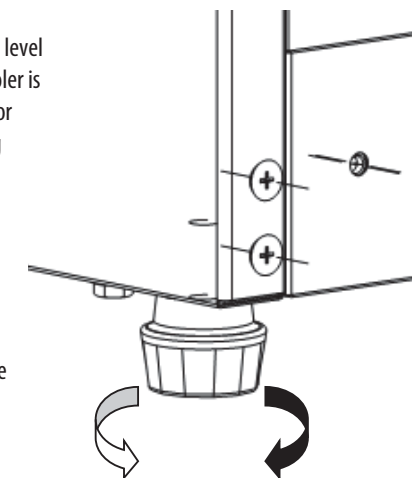
- Remove the exterior and interior packing.
- Let the wine cooler stand upright for approximately one half hour before connecting it to power. This reduces the possibility of a malfunction in the cooling system from improper handling during transportation.
- Clean the interior surface with lukewarm water using a soft cloth.

1 Find a suitable location

- This cooler is designed to be free standing only, and should not be recessed or built-in.
- Place your cooler on a floor, countertop, or cabinet that is strong enough to support the cooler when it is fully loaded.
- Allow five inches of space between the back and sides of the cooler and any surrounding walls. This allows the proper air ventilation. Adjust the feet to keep the cooler level.
- Locate the cooler away from direct sunlight and sources of heat (stove, heater, radiator, and so on). Direct sunlight may affect the acrylic coating and heat sources may increase electrical consumption. Ambient temperature below 50°F (10°C) or above 85°F (29.4°C) will hinder the performance of this cooler. This cooler is not designed for use in a garage or any other outside installation.
- Avoid locating the cooler in moist areas.

2 Level your cooler

- It is very important for the cooler to be level in order to function properly. If the cooler is not leveled during installation, the door may not close or seal properly, causing cooling, frost, or moisture problems. **Caution:** Do not stack one cooler on top of another. If you have more than one cooler, each cooler should rest firmly on the floor.
- To level your cooler, you may either turn the leveling foot clockwise to raise that side to the cooler or turn it counter-clockwise to lower that side.



3 Connect to power

- Plug in and run your cooler for two to three hours before making any temperature adjustments and before adding beverages. This allows your cooler to reach a stable temperature.

Note: Check your local power source. This cooler requires a 110V-120V, 60 Hz power supply. Use a receptacle that accepts the grounding prong. The power cord is equipped with a 3-prong (grounding) plug which mates with a standard 3-prong (grounding) wall outlet to minimize the possibility of electric shock hazard from this cooler.

USING YOUR COOLER

Turning your cooler on and off

- Press and hold the **POWER** button for three seconds. The panel beeps and the cooler turns on. Press and hold again to turn it off.

Setting the temperature

- Press the temperature up (+) or down (-) buttons, to increase or decrease the temperature by one degree.
- The temperature range is 41°F to 64°F (5°C to 18°C).
- Press and hold the **LIGHT** and **POWER** buttons at the same time for one second to switch between Fahrenheit and Celsius.

Lighting your cooler

- Press the light button to turn the interior light on and off.

Memory function

- If you experience a power outage, when your cooler is turned on again it resumes the same temperature that was set when the power went off.

Arranging your wine

- In order to maintain good air circulation in the cooler, do not let the bottles touch the back of the cooler.
- It is best to store different types of wine within the cooler, in the following sequence, from top to bottom:
 - Strong red wine
 - White wine
 - Pink and mild red wine
 - Champagne and spritzer

For more information about serving and storage tips, see the online *User Guide*.

CLEANING YOUR COOLER

- 1 Turn off the cooler and unplug it from the wall outlet.
- 2 Remove all wine and beverages.
- 3 Wash the inside with a damp warm cloth soaked in a solution of one quart of lukewarm water to two tablespoons of baking soda solution.
- 4 Be sure to keep the door gasket (seal) clean to keep the unit running efficiently.
- 5 Dry the interior and exterior with a soft cloth.

TIPS ON SAVING ENERGY

- Locate your wine cooler in the coolest area of the room, away from heat producing appliances or heating ducts and out of the direct sunlight.
- Overloading the wine cooler forces the compressor to run longer.
- Do not open the door too often, especially if the weather is very hot. Close the door as soon as possible to prevent cool air from escaping.
- Make sure that the appliance is sufficiently ventilated, with adequate air circulation behind it.

SPECIFICATIONS

Dimensions (W×D×H):	21.5 × 22.3 × 33.7 in. (54.5 × 56.5 × 85.5 cm)
Weight:	84 lbs (38 kg)
Power requirements:	115V~60Hz-90W
Current:	1.2A
Upper zone operating temperature:	41°-54° F
Lower zone operating temperature:	54°-64° F

TROUBLESHOOTING

Fault indication

- If a fault is detected, the display shows one of the following codes:

FAULT CODE	E1	E2	E9
DESCRIPTION	Temperature sensor fault for upper zone	Temperature sensor fault for lower zone	Communication fault

If either of these error codes appears on the display, contact your local dealer or service center. Do not try to repair the cooler yourself.

PROBLEM:	SOLUTION:
The cooler does not operate.	<ul style="list-style-type: none">• Make sure that the cooler is plugged in and that the plug is pushed completely into the outlet.• Check the house fuse/circuit breaker box and replace the fuse or reset the circuit breaker.• If a power failure occurs, the cooler turns off. Wait until the power is restored, then turn it on again.
The cooler door does not close completely.	<ul style="list-style-type: none">• Adjust the shelf properly.• Clean the door gaskets.• Level the cooler with the leveling feet.
The cooler is not cold enough.	<ul style="list-style-type: none">• Make sure that the door is closed properly.• Allow time for the new beverage to cool, then check again.• Set the control to a colder setting.
The cooler makes unusual noises or vibrates.	<ul style="list-style-type: none">• Level the cooler with the leveling feet.• Move the cooler out from the wall.• This is normal.
Moisture is building up in the interior of the cooler.	<ul style="list-style-type: none">• Make sure that the door is closed properly.• Move the cooler to a dryer location.
The cooler turns on and off frequently.	<ul style="list-style-type: none">• Cool the room or move the cooler to a cooler location.• Make sure that the door is closed properly.• Clean the door gaskets.• Set the control to a colder setting.

WARNING

Electric Shock Hazard

Failure to follow these instructions can result in electric shock, fire, or death.

- 1 **WARNING**—Keep ventilation openings in the appliance clear of obstruction.
- 2 **WARNING**—Do not touch the interior of the freezer compartment with wet hands. This could result in frost bite.
- 3 **WARNING**—Do not use mechanical devices or other means to accelerate the defrosting process, other than those recommended by the manufacturer.
- 4 **WARNING**—Do not damage the refrigerant tubing when handling, moving, or using the refrigerator.
- 5 **WARNING**—Do not use electrical appliances inside the food storage compartment of the refrigerator, unless they are of the type recommended by the manufacturer.
- 6 **WARNING—DANGER**—Never allow children to play with, operate, or crawl inside the refrigerator.
Risk of child entrapment. Before you throw away your old refrigerator or freezer:
 - 1) Take off the doors
 - 2) Leave the shelves in place so that children may not easily climb inside
- 7 Unplug the refrigerator before carrying out user maintenance on it.



ONE-YEAR LIMITED WARRANTY

Visit www.insigniaproducts.com for details.

CONTACT INSIGNIA:

For customer support, call 1-877-467-4289 (U.S. and Canada) or 01-800-926-3000 (Mexico) www.insigniaproducts.com

INSIGNIA is a trademark of Best Buy and its affiliated companies
Distributed by Best Buy Purchasing, LLC
7601 Penn Ave South, Richfield, MN 55423 U.S.A.
©2017 Best Buy. All rights reserved
Made in China