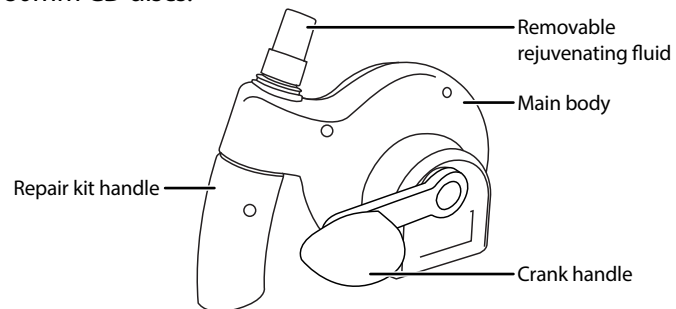


PACKAGE CONTENTS

- Disc Repair Kit with FlexiWheel™
- Rejuvenating fluid (1oz.)
- Blue drying cloth
- White buffing square
- *Quick Setup Guide*

Warning: Not for use with Blu-ray™, PlayStation® 3 or 4, Xbox® One, or 80mm CD discs.



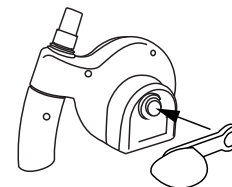
Before using your new product, please read these instructions to prevent any damage.

FEATURES

- Fixes scratched CDs, DVDs, and game and data discs that will not play, skip, or that freeze in a DVD or CD player
- Repairs and smoothens surface scratches to renew the disc's protective layer and leave disc data unaffected
- FlexiWheel™ repairs up to 25 discs, and works gently enough to safely repair the same disc multiple times

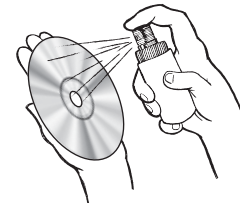
USING YOUR DISC REPAIR KIT

- 1** Align the four tabs on the crank handle with the slots on the main body, then snap the crank handle in place.



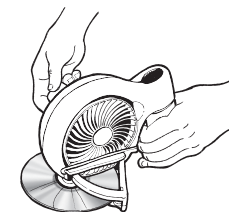
- 2** Lightly spray rejuvenating fluid on the play side (shiny side) of the disc. **Do not** spray the label side of the disc.

Caution: Keep discs wet during the resurfacing process, or discs may become damaged.



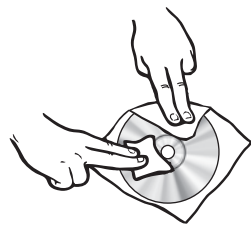
- 3** Insert your disc into your repair kit with the play side facing the FlexiWheel, then turn the crank handle clockwise until your disc completes two full rotations. Repeat as necessary.

Note: The disc moves at a much slower rate than the crank handle.



- 4** Remove your disc from the kit, then dry the play side with the blue drying cloth, which is stored in the repair kit handle.

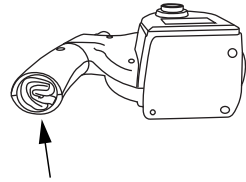
5 Place your disc on the blue drying cloth and use a corner of the cloth to hold the disc. Use the white buffing square to buff the disc from the center of the disc to the outer edge.



Do not buff or wipe the disc in a circular pattern.

Note: Streaks may be left of the disc but will not affect how the disc plays.

6 Store the drying cloth and buffing square inside the repair kit handle.



DISC REPAIR TIPS

- The final buffing step prevents future damage. Streaks may be left on the disc but will not affect how the disc plays.
- Keep the buffing square clean and free from debris which can cause scratches.
- If your disc continues to skip, freeze, or not play, repeat the repair process.
- If your disc continues to skip, freeze, or not play, try using another disc player.
- You can repair the same disc multiple times without damaging the disc's data layer.

- A disc's play side is usually the "shiny" side, and the label side is the "dull" or "graphics" side.
- Discs with label-side damage cannot be repaired by any method. When you view a disc from the play side, visible scratches may actually be on the label side of the disc.
- Store your repair kit at room temperature in a dust-free environment.
- Use manufacturer-recommended replacement parts and accessories only. Using generic or non-recommended parts may cause damage to your repair kit or disc.

SAFETY INFORMATION

- Do not drink or spray the rejuvenating fluid in your mouth.
- Do not spray the rejuvenating fluids in eyes.
- If the rejuvenating fluid gets in your eyes, immediately flush your eyes with water.

ONE-YEAR LIMITED WARRANTY

Visit www.insigniaproducts.com for details.

CONTACT INSIGNIA:

For customer service, call 1-877-467-4289 (U.S. and Canada) or 01-800-926-3000 (Mexico)

www.insigniaproducts.com

INSIGNIA is a trademark of Best Buy and its affiliated companies.

Registered in some countries.

Distributed by Best Buy Purchasing, LLC

W7601 Penn Ave South, Richfield, MN 55423 U.S.A.

©2014 Best Buy. All rights reserved.

Made in China