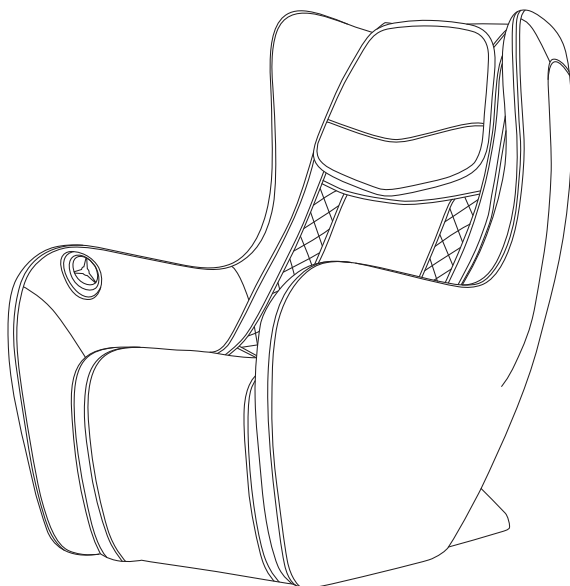


INSIGNIA™

USER GUIDE

Massage Chair

NS-MGC200BK2



Before using your new product, please read these instructions to prevent any damage.

Contents

IMPORTANT SAFETY INSTRUCTIONS	2
Features	4
Package contents	4
Components	4
Control panel	5
Setting up your massage chair	5
Providing the correct power supply	5
Choosing a location	6
Moving your chair	7
Using your massage chair	8
Connecting power and turning on your chair	8
Selecting a massage mode and starting massage	8
Stopping the massage	8
Maintaining your chair	9
Storing your chair	9
Troubleshooting	9
Specifications	10
Legal notices	10
ONE-YEAR LIMITED WARRANTY	11

IMPORTANT SAFETY INSTRUCTIONS

When using an electrical appliance, basic precautions should always be followed, including the following:

Read all instructions before using (this appliance)

DANGER—To reduce the risk of electric shock:

- Always unplug this appliance from the electrical outlet immediately after using and before cleaning.

WARNING - Risk of collapse and serious injury. Maximum load 264.6 lbs. (120 kg).

WARNING—To reduce the risk of burns, fire, electric shock, or injury to persons:

- An appliance should never be left unattended when plugged in. Unplug from outlet when not in use, and before putting on or taking off parts.
- Do not operate under blanket or pillow. Excessive heating can occur and Cause fire, electric shock, or injury to persons.
- Close supervision is necessary when this appliance is used by, on, or near children, invalids, or disabled persons.
- Use the appliance only for its intended use as described in this manual. Do not use attachments not recommended by the manufacturer.
- Never operate this appliance if it has a damaged cord or plug, if it is not working properly, if it has been dropped or damaged, or dropped into water. Return the appliance to a service center for examination and repair.
- Do not carry this appliance by supply cord or use cord as a handle.
- Never operate the appliance with the air openings blocked. Keep the air openings free of lint, hair, and the like.
- Never drop or insert any object into any opening.
- Do not use outdoors.
- Do not operate where aerosol (spray) products are being used or where oxygen is being administered.
- To disconnect, turn all controls to the off position, then remove plug from outlet.
- The appliance is intended for household and indoor use only.
- Connect this appliance to a properly grounded outlet only.
- Do not use massager in close proximity to loose clothing or jewelry.
- Keep long hair away from massager while in use.

SAVE THESE INSTRUCTIONS

Grounding Instructions

This product must be grounded. If it should malfunction or breakdown, grounding provides a path of least resistance for electric current to reduce the risk of electric shock. This product is equipped with a cord that has an equipment grounding conductor and a grounding plug.

The plug must be plugged into an appropriate outlet that is properly installed and grounded in accordance with all local codes and ordinances.

DANGER: Improper connection of the equipment grounding

- An improperly installed conductor can result in a risk of electric shock. Check with a qualified electrician or serviceman if you are in doubt as to whether the product is properly grounded. Do not modify the plug provided with the product to make it fit the outlet. Have a proper outlet installed by a qualified electrician.
- This product is for use on a nominal 120-volt circuit and has a grounding plug. See Providing the correct power supply on page 5. If do not have a grounded receptacle, you can use a temporary adapter 2--pole receptacle. Only use the temporary adapter until you have a qualified electrician install a properly grounded receptacle. While using a temporary adapter, the green colored rigid ear, lug, or the like extending from the adapter must be connected to a permanent ground, such as a properly grounded outlet box cover, Whenever the adapter is used, it must be held in place by a metal screw.

Features

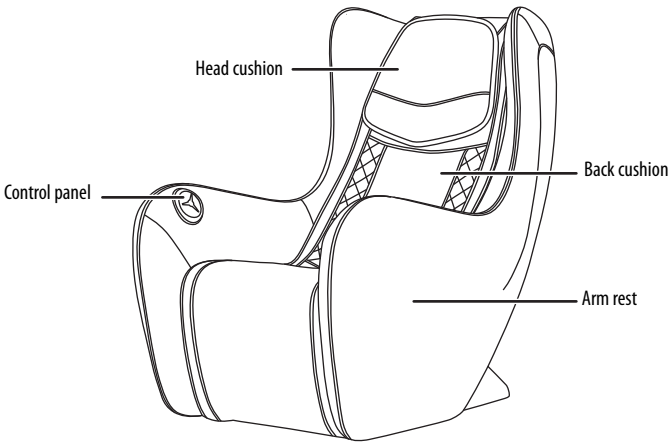
- Four-wheel, up and down massage
- Provides three kinds of massage, including kneading, knocking, and synchronized with both
- Automatic massage available for whole body, upper body, or lower body
- Manually select your favorite massage point, with two-directional kneading, unidirectional kneading, and two-speed knocking
- Adapts to the curve of your body
- Back roller shut down and automatic reset function
- Polyurethane leather covering provides both comfort and durability
- Convenient control panel makes it easy to adjust your settings
- Arrives assembled and ready to use in minutes

Package contents

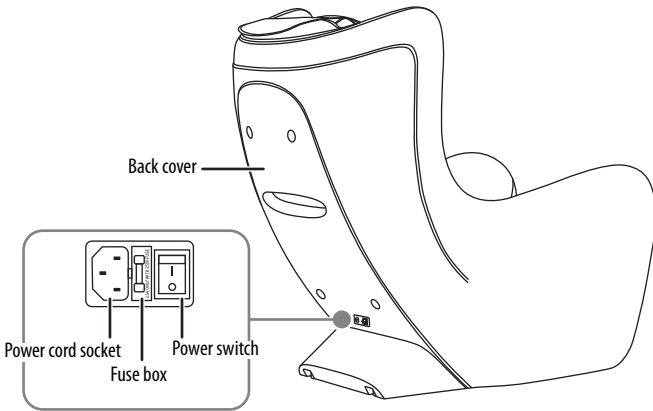
- Full Body Massage Chair
- *Quick Setup Guide*
- *User Guide*

Components

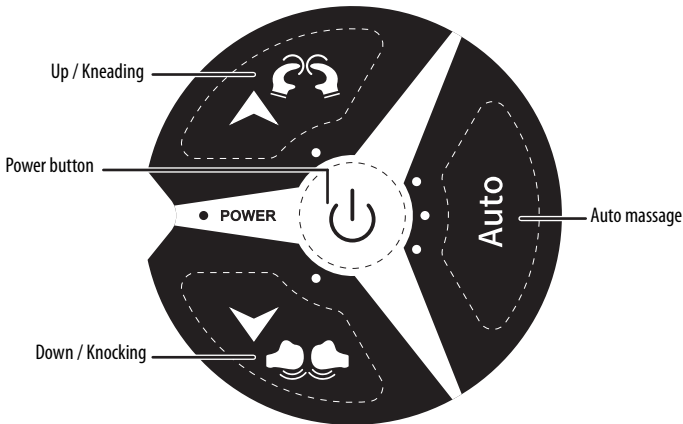
Front



Right



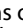
Control panel



Setting up your massage chair

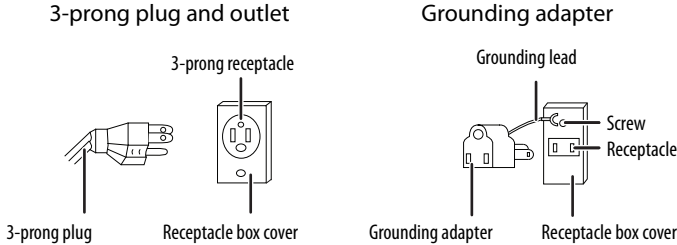
Providing the correct power supply

Note:

Pressing  turns off your chair, but your chair is still receiving power. To cut power to your chair, unplug the power cord, or turn the power switch on the back of the chair to the off position

- You must ground your chair. In the event of a malfunction or breakdown, grounding reduces the risk of electric shock by providing a path of least resistance for the electric current.

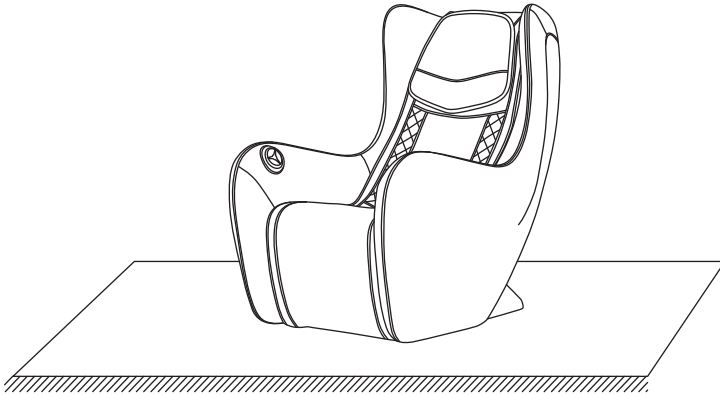
- Your chair has a power cord with a three-pronged grounding plug for use in a correctly installed and grounded outlet.
- The outlet must be correctly installed and grounded in accordance with all local codes and ordinances.



Choosing a location

CAUTION: Two people are required to lift the chair.

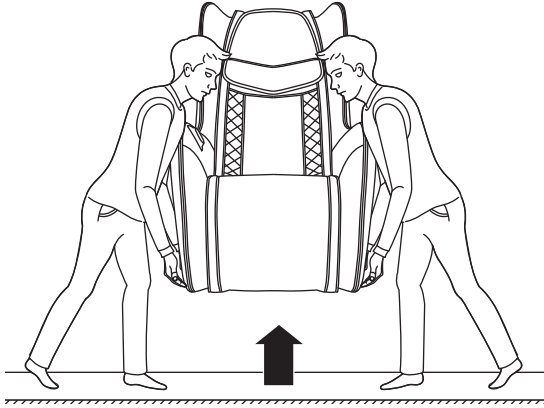
- If the location you select is a wood floor, place a rug or similar material under your chair to protect the floor from damage.



- Make sure that the location is close to a grounded power outlet.
- Do not let the power cord extend across the floor to avoid accidental tripping.
- Do not let your chair or any other item lay on the power cord.

Moving your chair

- 1 Turn off your chair, then unplug the power cord. Make sure that the cords are out of the movement path.
- 2 Using two people, carefully lift the chair from both sides.



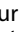
- 3 Gently lower your chair to the new location.
- 4 Plug the power cord back in.




Using your massage chair

Connecting power and turning on your chair

- 1 Plug the power cord into the power input on the back of your chair.
- 2 Plug the power cord into a power outlet.
- 3 Press the power switch on the back of your chair to the on position. Your chair turns on and enters standby mode.

Selecting a massage mode and starting massage

- Sit in your chair, then press the  power button to begin massage. Then you can select the type of massage you want.
- Your chair has two manual modes, kneading and knocking. It also has an auto massage mode.

BUTTON	FUNCTION	DESCRIPTION	INDICATOR
	Power button	Turn the massage chair on or off	Off - Standby mode Steady - Power on - default is full body massage, two-direction kneading, and low level knocking.
	Up / Kneading	Press and release - Switch on or off, or change kneading method Press and hold - Change to fixed-point mode and move the back rollers up. Release button to stop moving	Flashing - Two direction kneading Steady - One direction kneading Off - Kneading off
	Down / Knocking	Press and release - Switch on or off, or change knocking method Press and hold - Change to fixed-point mode and move the back rollers down. Release button to stop moving	Flashing - Low level Steady - High level Off - Knocking off
Auto	Auto massage	Change to auto mode - Upper, middle, and lower indicator lights correspond to upper body, whole body, and lower body massages.	Top light - Upper body massage Middle light - Whole body massage Lower light - Lower body massage

Stopping the massage

- Press the power button to turn off the massage.
- Do not forget to turn off the main power switch on the back of the chair after usage.

Maintaining your chair

- Your chair should be maintained by the service center designated by the manufacturer only. No user should disassemble or maintain it without permission.
- Do not use your chair if the power socket becomes loose.
- Clean your chair with a dry cloth. Never use thinner, benzene, gasoline, or alcohol.
- The mechanical components of your chair are specially designed and manufactured, so no special maintenance is needed.
- Do not use a sharp object to stab your chair.
- Do not roll or pull your chair on any uneven ground. Instead, it should be lifted before moving.
- We suggest that you use your chair intermittently. Do not keep it working continuously for a long period of time.

Storing your chair

- Storage room temperature: 23° F to 95° F (-5 °C to 35 °C).
- Relative humidity (RH) between 20% and 80%, free of corrosive gases, and a well ventilated room.
- Do not store the chair at a high temperature or near open flame. Avoid prolonged exposure to direct sunshine.
- If the chair will be left unused for a long period of time, you should roll up the power cord and store the chair in a dry and dust-free environment.

Troubleshooting

CAUTION: Use extreme caution with children. Your chair should not be accessible to children.

Note: If you run into unexpected problems with your chair, unplug the power cord, wait 30 seconds, then plug it back in. If you still experience issues, contact Insignia Customer Support.

Solutions to ordinary malfunctions

- If the motor makes noises during operation of your chair, this is normal.
- If the controller does not work normally, check whether the plug and the power socket are securely connected, and whether the power switch on the back of the chair is turned on.
- If you use the chair massage for over 20 minutes, your chair's thermal protection automatically turns it off. If your chair will not restart immediately, try again after half an hour.

Specifications

Dimensions (H x W x D)	34.3 x 27.6 x 48.8 in. (87 x 70 x 124 cm)
Weight	Gross: 84.4 lbs. (38.3 kg) Net: 60.6 lbs. (27.5 kg)
Rated voltage and current	110-120 V~60 Hz, 0.5 A
Default working time	20 minutes
Rated power	35 W
Power cord	6.8 ft. (206 cm)

Legal notices

FCC Information

This device complies with Part 15 of the FCC Rules. Operation is subject to the following two conditions: (1) this device may not cause harmful interference, and (2) this device must accept any interference received, including interference that may cause undesired operation.

This equipment has been tested and found to comply with the limits for a Class B digital device, pursuant to part 15 of the FCC Rules.

These limits are designed to provide reasonable protection against harmful interference in a residential installation. This equipment generates, uses, and can radiate radio frequency energy and, if not installed and used in accordance with the instructions, may cause harmful interference to radio communications. However, there is no guarantee that interference will not occur in a particular installation. If this equipment does cause harmful interference to radio or television reception, which can be determined by turning the equipment off and on, the user is encouraged to try to correct the interference by one or more of the following measures:

- Reorient or relocate the receiving antenna.
- Increase the separation between the equipment and receiver.
- Connect the equipment into an outlet on a circuit different from that to which the receiver is connected.
- Consult the dealer or an experienced radio/TV technician for help.

Changes or modifications not expressly approved by the party responsible for compliance could void the user's authority to operate the equipment.

ICES-003

This Class B digital apparatus complies with Canadian ICES-003;

Cet appareil numérique de la classe B est conforme à la norme NMB-003 du Canada.

ONE-YEAR LIMITED WARRANTY

Definitions:

The Distributor* of Insignia branded products warrants to you, the original purchaser of this new Insignia-branded product ("Product"), that the Product shall be free of defects in the original manufacturer of the material or workmanship for a period of one (1) year from the date of your purchase of the Product ("Warranty Period").

For this warranty to apply, your Product must be purchased in the United States or Canada from a Best Buy branded retail store or online at www.bestbuy.com or www.bestbuy.ca and is packaged with this warranty statement.

How long does the coverage last?

The Warranty Period lasts for 1 year (365 days) from the date you purchased the Product. Your purchase date is printed on the receipt you received with the Product.

What does this warranty cover?

During the Warranty Period, if the original manufacture of the material or workmanship of the Product is determined to be defective by an authorized Insignia repair center or store personnel, Insignia will (at its sole option): (1) repair the Product with new or rebuilt parts; or (2) replace the Product at no charge with new or rebuilt comparable products or parts. Products and parts replaced under this warranty become the property of Insignia and are not returned to you. If service of Products or parts are required after the Warranty Period expires, you must pay all labor and parts charges. This warranty lasts as long as you own your Insignia Product during the Warranty Period. Warranty coverage terminates if you sell or otherwise transfer the Product.

How to obtain warranty service?

If you purchased the Product at a Best Buy retail store location or from a Best Buy online website (www.bestbuy.com or www.bestbuy.ca), please take your original receipt and the Product to any Best Buy store. Make sure that you place the Product in its original packaging or packaging that provides the same amount of protection as the original packaging.

To obtain warranty service, in the United States and Canada call 1-877-467-4289. Call agents may diagnose and correct the issue over the phone.

Where is the warranty valid?

This warranty is valid only in the United States and Canada at Best Buy branded retail stores or websites to the original purchaser of the product in the country where the original purchase was made.

What does the warranty not cover?

This warranty does not cover:

- Food loss/spoilage due to failure of refrigerator or freezer
- Customer instruction/education
- Installation
- Set up adjustments
- Cosmetic damage
- Damage due to weather, lightning, and other acts of God, such as power surges
- Accidental damage
- Misuse
- Abuse
- Negligence
- Commercial purposes/use, including but not limited to use in a place of business or in communal areas of a multiple dwelling condominium or apartment complex, or otherwise used in a place of other than a private home.
- Modification of any part of the Product, including the antenna
- Display panel damaged by static (non-moving) images applied for lengthy periods (burn-in).

- Damage due to incorrect operation or maintenance
- Connection to an incorrect voltage or power supply
- Attempted repair by any person not authorized by Insignia to service the Product
- Products sold “as is” or “with all faults”
- Consumables, including but not limited to batteries (i.e. AA, AAA, C etc.)
- Products where the factory applied serial number has been altered or removed
- Loss or Theft of this product or any part of the product
- Display panels containing up to three (3) pixel failures (dots that are dark or incorrectly illuminated) grouped in an area smaller than one tenth (1/10) of the display size or up to five (5) pixel failures throughout the display. (Pixel based displays may contain a limited number of pixels that may not function normally.)
- Failures or Damage caused by any contact including but not limited to liquids, gels or pastes.

REPAIR REPLACEMENT AS PROVIDED UNDER THIS WARRANTY IS YOUR EXCLUSIVE REMEDY FOR BREACH OF WARRANTY. INSIGNIA SHALL NOT BE LIABLE FOR ANY INCIDENTAL OR CONSEQUENTIAL DAMAGES FOR THE BREACH OF ANY EXPRESS OR IMPLIED WARRANTY ON THIS PRODUCT, INCLUDING, BUT NOT LIMITED TO, LOST DATA, LOSS OF USE OF YOUR PRODUCT, LOST BUSINESS OR LOST PROFITS. INSIGNIA PRODUCTS MAKES NO OTHER EXPRESS WARRANTIES WITH RESPECT TO THE PRODUCT, ALL EXPRESS AND IMPLIED WARRANTIES FOR THE PRODUCT, INCLUDING BUT NOT LIMITED TO ANY IMPLIED WARRANTIES OF AND CONDITIONS OF MERCHANTABILITY AND FITNESS FOR A PARTICULAR PURPOSE, ARE LIMITED IN DURATION TO THE WARRANTY PERIOD SET FORTH ABOVE AND NO WARRANTIES, WHETHER EXPRESS OR IMPLIED, WILL APPLY AFTER THE WARRANTY PERIOD. SOME STATES, PROVINCES AND JURISDICTIONS DO NOT ALLOW LIMITATIONS ON HOW LONG AN IMPLIED WARRANTY LASTS, SO THE ABOVE LIMITATION MAY NOT APPLY TO YOU. THIS WARRANTY GIVES YOU SPECIFIC LEGAL RIGHTS, AND YOU MAY ALSO HAVE OTHER RIGHTS, WHICH VARY FROM STATE TO STATE OR PROVINCE TO PROVINCE.

Contact Insignia:

1-877-467-4289

www.insigniaproducts.com

INSIGNIA is a trademark of Best Buy and its affiliated companies.

*Distributed by Best Buy Purchasing, LLC

7601 Penn Ave South, Richfield, MN 55423 U.S.A.

©2021 Best Buy. All rights reserved.

INSIGNIA™

www.insigniaproducts.com

1-877-467-4289 (U.S. and Canada)

INSIGNIA is a trademark of Best Buy and its affiliated companies.

Distributed by Best Buy Purchasing, LLC

7601 Penn Ave South, Richfield, MN 55423 U.S.A.

©2021 Best Buy. All rights reserved.

V2 ENGLISH
21-0944