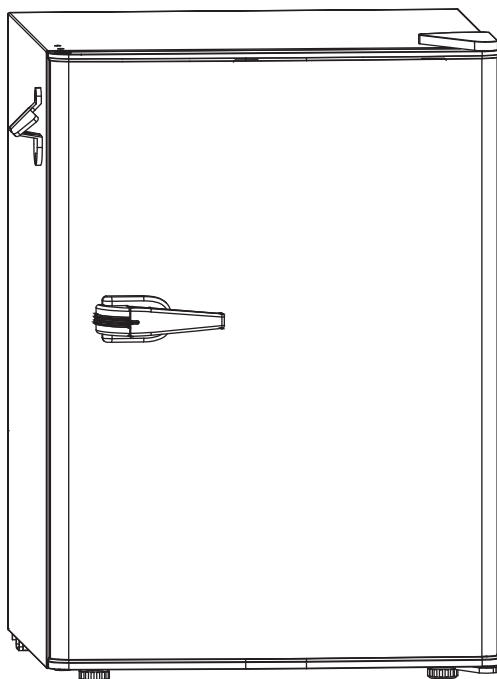


**INSIGNIA™**

**USER GUIDE**

# 2.5 Cu. Ft. Retro Compact Refrigerator

**NS-CFR25BB2/NS-CFR25C2**



Before using your new product, please read these instructions to prevent any damage.

## Contents

IMPORTANT SAFETY INSTRUCTIONS .....	3
Grounding requirement .....	6
Features .....	6
Package contents .....	6
Dimensions .....	7
Refrigerator parts .....	7
Installing the door handle .....	8
Installing the bottle opener .....	9
Installing your refrigerator .....	9
Before using your refrigerator .....	9
Finding a suitable location .....	9
Connecting power .....	10
Leveling your refrigerator .....	11
Using your refrigerator .....	11
Setting the temperature .....	11
Using the bottle opener .....	12
Adjusting the shelf .....	12
Maintaining your refrigerator .....	13
Cleaning your refrigerator .....	13
Defrosting your refrigerator .....	14
Shutting down your refrigerator .....	14
Moving your refrigerator .....	14
Tips on saving energy .....	15
Troubleshooting .....	15
Specifications .....	17
ONE-YEAR LIMITED WARRANTY - INSIGNIA .....	18

# IMPORTANT SAFETY INSTRUCTIONS



**WARNING:** To reduce the risk of fire, explosion, electric shock, or injury when using your refrigerator, follow these basic safety precautions:

- 1 Read all instructions before using the refrigerator.
- 2 **WARNING-** Risk of child entrapment. Never allow children to operate, play with, or crawl inside the refrigerator.
- 3 **WARNING-** Never clean the refrigerator parts with flammable fluids. The fumes can create a fire hazard or explosion.
- 4 **WARNING-** Do not store or use gasoline or any inflammable liquids inside or in the vicinity of the refrigerator.
- 5 **WARNING-** Keep ventilation openings in the appliance or in the built-in structure clear of obstruction.
- 6 **WARNING-** Do not use mechanical devices or other means to accelerate the defrosting process, other than those recommended by the manufacturer.
- 7 **WARNING--** Do not damage the refrigerant circuit.
- 8 **WARNING--** Do not use electrical appliances inside the food storage compartments of the appliance, unless they are of the type recommended by the manufacturer.
- 9 **WARNING--DANGER:** Never allow children to play with, operate, or crawl inside the refrigerator. Risk of child entrapment. Before you throw away your old refrigerator or freezer:
  - Take off the doors
  - Leave the shelves in place so that children may not easily climb inside.
- 10 The appliance has to be unplugged before carrying out user maintenance on the appliance.
- 11 This appliance is not intended for use by persons (including children) with reduced physical, sensory, or mental capabilities, or lack of experience and knowledge, unless they have been given supervision or instruction concerning use of the appliance by a person responsible for their safety. Children should be supervised to ensure that they do not play with the appliance. This refrigerator must be properly installed and located in accordance with the Installation Instructions before it is used.
- 12 If the supply cord is damaged, it must be replaced by a special cord or assembly available from the manufacturer or its service agent.
- 13 Please dispose of the refrigerator according to local regulations as the unit contains flammable gas and refrigerant.
- 14 Follow local regulations regarding disposal of the appliance due to flammable refrigerant and gas. All refrigeration products contain refrigerants, which under the guidelines of federal law must be removed before disposal. It is the consumer's responsibility to comply with federal and local regulations when disposing of this product.
- 15 Do not use an extension cord with this appliance. If the power cord is too short, have a qualified electrician install an outlet near the appliance. Use of an extension cord can negatively affect the unit's performance.

## Additional safety instructions

- Disconnect the refrigerator from the main power supply at the rear of the unit, remove the refrigerator circuit fuse, or turn off the circuit breaker before making repairs or cleaning.
- **NOTE:** Power to the refrigerator cannot be disconnected by any setting on the control panel.
- **NOTE:** Repairs must be performed by a qualified Service Professional.
- Replace all parts and panels before operating.
- Do not store explosive substances such as aerosol cans with a flammable propellant in this appliance.
- To avoid serious injury or death, children should not stand on, or play in or with the appliance.
- Children and persons with reduced physical, sensory, or mental capabilities, or lack of experience and knowledge, can use this appliance only if they are supervised or have been given instructions on safe use and understand the hazards involved.
- This appliance is intended to be used in household and similar applications, such as: staff kitchen areas in shops, offices, and other working environments; farm houses; by clients in hotels, motels, bed & breakfast and other residential environments; catering and similar non-retail applications.
- Do not apply harsh cleaners to the refrigerator. Certain cleaners will damage plastic which may cause parts such as the door or door handles to detach unexpectedly. See [Maintaining your refrigerator](#) on page 13 for detailed instructions.



**CAUTION:** To reduce the risk of injury when using your refrigerator, follow these basic safety precautions.

- Do not clean glass shelves or covers with warm water when they are cold. Glass shelves and covers may break if exposed to sudden temperature changes or impact, such as bumping or dropping. Tempered glass is designed to shatter into many small pieces if it breaks.
- Keep fingers out of the "pinch point" areas. Clearances between the doors and between the doors and cabinet are necessarily small. Be careful closing doors when children are in the area.
- Do not touch the cold surfaces in the freezer compartment when hands are damp or wet. Skin may stick to these extremely cold surfaces.
- Do not refreeze frozen foods which have thawed completely.



**WARNING-DANGER - RISK OF FIRE OR EXPLOSION. FLAMMABLE REFRIGERANT USED.**

- To be repaired only by trained service personnel. Do not puncture refrigerant tubing.
- Consult the repair manual/owner's guide before attempting to service this product.
- All safety precautions must be followed.
- Dispose of property in accordance with the applicable federal or local regulations.
- Follow handling instructions carefully.

# READ ALL INSTRUCTIONS BEFORE USING

## PROPER DISPOSAL OF YOUR OLD REFRIGERATOR

**WARNING: SUFFOCATION AND ENTRAPMENT HAZARD**

Failure to follow these disposal instructions can result in death or serious injury.

**IMPORTANT:** Child entrapment and suffocation are not problems of the past. Junked or abandoned refrigerators or freezers are still dangerous even if they will sit for “just a few days.” If you are getting rid of your old refrigerator or freezer, please follow the instructions below to help prevent accidents.

**Before You Throw Away Your Old Appliance**

- Take off the refrigerator and freezer doors.
- Leave the shelves in place so that children may not easily climb inside.

**Refrigerant and Foam Disposal:**

Dispose of refrigerator in accordance with Federal and Local Regulations. Flammable insulation material used requires special disposal procedures. Contact your local authorities for the environmentally safe disposal of your refrigerator.

### Grounding requirement

Your refrigerator must be grounded. Your refrigerator is equipped with a cord having a grounding wire with a grounding plug. The plug must be inserted into an outlet that is correctly installed and grounded.

Incorrect use of the grounding plug can result in a risk of electric shock. Consult a qualified electrician or service person if the grounding instructions are not completely understood, or if doubt exists as to whether your refrigerator is correctly grounded. See [Connecting power](#) on page 10.

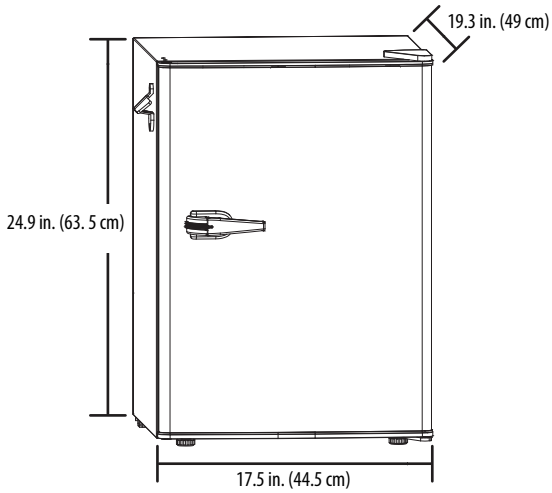
## Features

- 2.5 Cu. Ft. (.07 cu m) storage capacity gives you space for your essentials
- Two glass shelves, a can rack, and a gallon bottle holder help organize your items
- Attached bottle opener helps open your favorite beverages in seconds
- Eye-catching blue color and an old-fashioned handle add vintage flair to your home décor

### Package contents

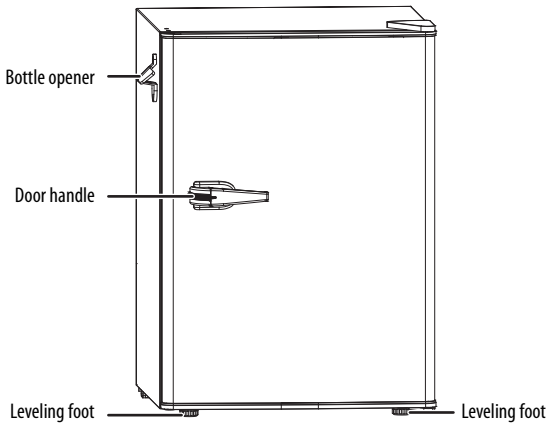
- 2.5 Cu. Ft. Retro Compact Refrigerator
- Handle Kit
- Bottle opener with two screws
- *User Guide*

## Dimensions

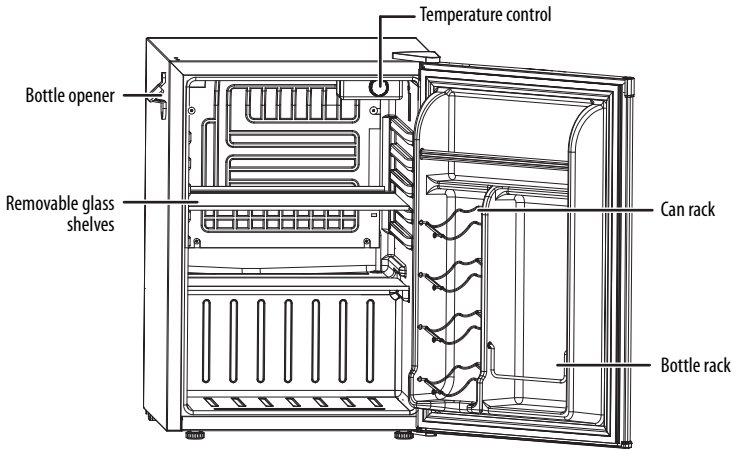


## Refrigerator parts

### Outside



## Inside

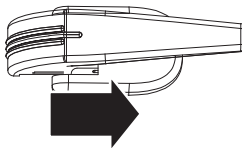


## Installing the door handle

**CAUTION:** If you lay your refrigerator on its back or side for any length of time, wait for six hours after you stand it up again before you plug it in. Otherwise, you may damage internal components.

**Note:** The handle is not removable after installation.

- 1 Remove the handle package from the refrigerator.
- 2 Push the handle horizontally onto the base until it clicks into place.

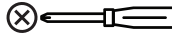


- 3 Try the handle to make sure that it is installed correctly.



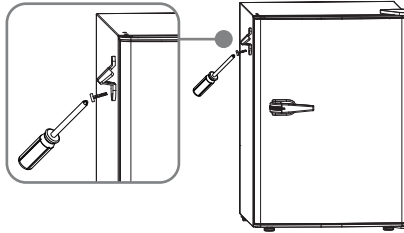
## Installing the bottle opener

You need the following tool to attach the bottle opener:



Phillips screwdriver

- Use a Phillips screwdriver to remove the two screws from the left side of your refrigerator, then use the screwdriver and the two screws to attach the bottle opener to the side of your refrigerator.



## Installing your refrigerator

### Before using your refrigerator

- Remove the exterior and interior packing.
- Let your refrigerator stand upright for approximately four hours before connecting it to power. This reduces the possibility of a malfunction in the cooling system from incorrect handling during transportation.
- Clean the interior surface with lukewarm water and baking soda solution (two tablespoons of soda in a quart of water) using a soft cloth, then wipe down with a dry cloth.

### Finding a suitable location

- Place your refrigerator on a floor that's strong enough to support your refrigerator when it is fully loaded.
- Allow 5 in. (12.7 cm) of space between the back and sides of your refrigerator and any surrounding walls. This allows for the correct air ventilation. Adjust the feet to keep your refrigerator level.
- Locate your refrigerator away from direct sunlight and sources of heat (stove, heater, radiator, and so on). Direct sunlight may affect the acrylic coating and heat sources may increase electrical consumption. Ambient temperature below 50° F (10° C) or above 85° F (29.4° C) hinders the performance of your refrigerator. Your refrigerator is not designed for use in a garage or any other outside installation.
- Avoid locating your refrigerator in moist areas.

**CAUTION:** Your refrigerator isn't designed for a recessed installation.

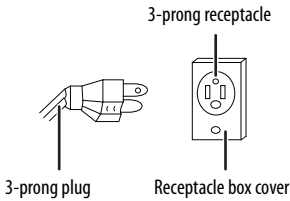
## Connecting power

Check your local power source. Your refrigerator requires a 110 V ~ 120 V, 60 Hz power supply.

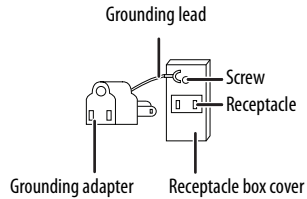
Your refrigerator should be correctly grounded for your safety.

Use a receptacle that accepts the grounding prong. The power cord is equipped with a 3-prong (grounding) plug which mates with a standard 3-prong (grounding) wall outlet to minimize the possibility of electric shock hazard from your refrigerator.

Using a 3-prong outlet



Using a grounding adapter



### WARNINGS: ELECTRICAL SHOCK HAZARD

Failure to follow these instructions can result in death, fire, or electrical shock.

- A 15-20 amp fused, grounded electrical supply is required. This provides the best performance and also prevents overloading wiring circuits which could cause a fire hazard from overheated wires.
- Your refrigerator should always be connected to its own individual electrical branch leading directly to the main voltage source or distribution panel.
- Immediately discontinue use if the main power supply line has been damaged. If the supply line is damaged, it must be repaired by a qualified service professional.
- When removing your refrigerator away from the wall, make sure that you don't roll over or damage the main power supply line.

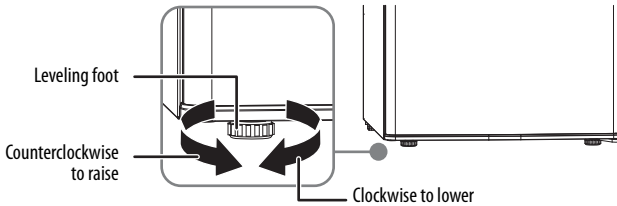
### CAUTIONS:

- Do not, under any circumstances, cut or remove the third ground prong from the supplied power cord.
- Your refrigerator is not designed to be used with an inverter.
- The power cord should be secured behind your refrigerator, and not left exposed or dangling, to prevent accidental injury.
- Never unplug your refrigerator by pulling on the power cord. Always grip the plug firmly and pull straight out from the outlet.
- Do not use an extension cord with your refrigerator. If the power cord is too short, have a qualified electrician or service technician install an outlet near your range. Use of an extension cord can negatively affect the performance of your refrigerator.

## Leveling your refrigerator

Your refrigerator must be level in order to function correctly. If your refrigerator is not leveled during installation, the door may not close or seal correctly, causing cooling, frost, or moisture problems.

- Rotate the leveling feet clockwise (to lower) your refrigerator or counterclockwise (to raise).



**Note:** To make it easier to adjust the feet, have someone push against the top of your refrigerator to tilt it slightly.

## Using your refrigerator

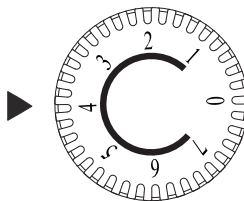
### Setting the temperature

The refrigerator temperature control has settings from position **1** (the warmest) to **7** (the coldest).

**Note:**

- If your refrigerator is unplugged or loses power, wait three to five minutes before restarting it. If you try to restart before this time delay, your refrigerator won't start.
- Large amounts of food lower the cooling efficiency of your refrigerator.
- Do not place the foods on the air outlet and leave spaces for airflow.
- If you change the temperature setting, adjust the temperature control by one increment at a time. Allow several hours for the temperature to stabilize between adjustments.

- 1 The first time you turn your refrigerator on, adjust the control to **4** and let your refrigerator cool at least four hours before putting food inside. This makes sure that the cabinet is thoroughly chilled before you put food in.



- 2 After your refrigerator is fully chilled, test the temperature and adjust towards **1** to make it warmer or towards **7** to make it cooler, as needed. The **4** setting should be appropriate for home or office refrigerator use.

- 3 To turn off the cooling function, turn the temperature control knob to **0**.

**Note:**

- Setting the temperature control to **0** stops the cooling cycle, but doesn't disconnect the power. To disconnect power, unplug the power cord.
- The internal temperature of your refrigerator can vary based on ambient temperature, the quantity of items stored, and how frequently the door is opened.

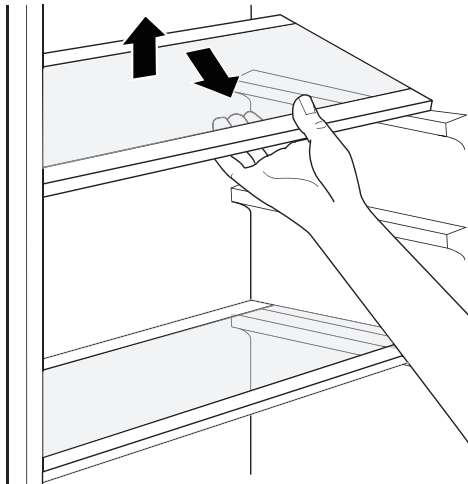
**Using the bottle opener**

- 1 Insert a bottle with a bottle cap into the bottle opener. Make sure that the cap lip is firmly resting on the inner lip of the bottle opener.
- 2 Carefully pull the bottle downward to remove the cap.

**Adjusting the shelf**

Your refrigerator has two shelves. The top shelf is adjustable. The bottom shelf is fixed.

- 1 Open the refrigerator door all the way.
- 2 Lift the back of a shelf, then pull it out.



- 3 To reinstall the shelf, align the shelf above the shelf rails with the back of the shelf tilted up. Slide the shelf on to the rails, then lower the back.

## Maintaining your refrigerator

Your refrigerator is designed for year-round use with only minimal cleaning and maintenance.

When you first receive it, wipe the cabinet with a mild detergent and warm water, then wipe dry with a dry cloth. Do this periodically to keep your refrigerator looking new.

### Cleaning your refrigerator

**CAUTION:**

To prevent damage to the finish:

- Don't use gasoline, benzine, thinner, or other similar solvents.
- Don't use abrasive cleaners.
- Don't use sharp objects because they are likely to scratch the surface.

We recommend that you do the following every time you clean your refrigerator to keep it running odor-free and efficiently:

- 1 Unplug your refrigerator from the power outlet.
- 2 Remove all food.
- 3 If you want to remove the shelf, see [Adjusting the shelf](#) on page 12.
- 4 Clean the door, handle, and cabinet surfaces with a mild detergent, then rinse with warm water using a wrung-out sponge or cloth.
- 5 Wash the inside with a damp warm cloth soaked in a solution of one quart of lukewarm water to two tablespoons of baking soda, then rinse with warm water using a wrung-out sponge or cloth.
- 6 Clean the shelves with a mild detergent and soft cloth, then rinse with warm water.
- 7 Make sure that you keep the door gasket (seal) clean so that the door seals tightly. Use a clean towel and water to wipe every part of the door seal. This helps your refrigerator run efficiently.

**CAUTION:** Make sure that the door gasket is completely dry before you plug your refrigerator into the power outlet.

- 8 Dry all surfaces and removable parts before putting them back into place.
- 9 Plug your refrigerator into the power outlet.

## Defrosting your refrigerator

Your refrigerator is not designed to defrost automatically. In order to prevent damage to the interior liner, you should manually defrost it every three months, or when ice or frost is approximately 1/4" thick on the evaporator.

- 1 Set the thermostat dial to 0 and remove everything from the refrigerator.
- 2 Leave the refrigerator door open to allow accumulated ice and frost to melt. Remove large pieces of ice as needed. Do not use hot water or electric heating devices to melt the accumulated ice.
- 3 After defrosting, remove accumulated ice and water and wipe the evaporator dry with a soft cloth. Let the evaporator completely defrost for approximately two hours before restarting the refrigerator. See Setting the temperature on page 11 for starting instructions.

## Shutting down your refrigerator

- 1 Turn the temperature control on your refrigerator to the **0** setting, then unplug your refrigerator from the power outlet.
- 2 Remove all food.
- 3 Clean your refrigerator.
- 4 Leave the door open slightly to avoid possible formation of condensation, mold, or odor.

**WARNING:** Use extreme caution with children. Your refrigerator shouldn't be accessible to child's play. If a child is trapped inside your refrigerator, the child may suffocate.

## Moving your refrigerator

- 1 Turn the temperature control on your refrigerator to the **0** setting, then unplug your refrigerator from the power outlet.
- 2 Remove all food.
- 3 Securely tape down all loose items inside your refrigerator.
- 4 Tape the doors shut.
- 5 Make sure that your refrigerator stays in the upright position during transportation.

## Tips on saving energy

- Locate your refrigerator in the coolest area of the room, away from heat producing appliances or heating ducts and out of direct sunlight.
- Let hot foods cool before placing them in your refrigerator. Overloading your refrigerator forces the compressor to run longer. Foods that cool too slowly may lose quality or spoil.
- Wrap foods correctly and wipe containers dry before placing them in your refrigerator. This cuts down on frost build-up inside your refrigerator.
- Organize and label food to reduce door openings and extended searches.
- Don't use aluminum foil, wax paper, or paper toweling to line shelves. Liners interfere with cold air circulation and make your refrigerator less efficient.

## Troubleshooting

**CAUTION:** Don't try to repair your refrigerator yourself. Doing so invalidates the warranty.

PROBLEM	POSSIBLE CAUSE	POSSIBLE SOLUTION
My refrigerator doesn't work.	No power.	<ul style="list-style-type: none"> <li>• Make sure that the power cord is plugged in.</li> <li>• Make sure that the electrical breaker has not tripped.</li> </ul>
	The temperature control is set to the <b>0</b> position.	Turn the temperature control knob to <b>4</b> .
	Power failure.	If a power failure occurs, your refrigerator turns off. Wait until the power is restored.
The compressor turns on and off frequently.	The room temperature is hotter than normal.	Lower the room temperature or move your refrigerator to a different location.
	A large amount of food was recently added to your refrigerator.	This is normal and should correct itself shortly.
	The door has been opened too often or isn't closed completely.	<ul style="list-style-type: none"> <li>• Make sure that the door is completely closed.</li> <li>• Make sure that the door gasket seals correctly.</li> </ul>
	The temperature control isn't set correctly.	Turn the temperature control knob to <b>4</b> .
	The refrigerator doesn't have the correct clearances.	See <a href="#">Finding a suitable location</a> on page 9.
Food in my refrigerator is too cold.	The temperature is set too cold.	Adjust the temperature control to a warmer setting.

<b>PROBLEM</b>	<b>POSSIBLE CAUSE</b>	<b>POSSIBLE SOLUTION</b>
Food in my refrigerator is not cold enough.	The door has been opened too often or was not closed correctly.	Make sure that the door is closed correctly.
	You have just added a large amount of food to your refrigerator.	Allow time for the new food to cool, then check again.
	The temperature is set too warm.	Set the temperature control to a colder setting.
	Your refrigerator may be located in a hot location.	Move your refrigerator to a cooler location.
My refrigerator makes unusual noises.	Your refrigerator may not be level on the floor.	Level your refrigerator with the leveling feet.
	The body of your refrigerator is touching a wall.	Move your refrigerator out from the wall.
Moisture is building up inside my refrigerator.	Your refrigerator is in a location that is too humid.	Move your refrigerator to a dryer location.
	The food in your refrigerator is not packaged correctly.	Repackage the food in your refrigerator to make sure that it is sealed.
My refrigerator door doesn't close completely.	Food packages are interfering with the door.	Move the food packages or remove some food.
	The shelves are out of position.	Adjust the shelves correctly.
	The door gasket is dirty.	Clean the door gasket.
	Your refrigerator may not be level on the floor.	Level your refrigerator with the leveling feet.
The outside of my refrigerator is warm.	This is normal.	The outside of your refrigerator can be as much as 30° warmer than the room temperature.



## Specifications

External dimensions (H × W × D)	24.9 × 17.5 × 19.3 in. (63.5 × 44.5 × 49 cm)
Internal dimensions (H × W × D)	<b>Refrigerator compartment:</b> 21.4 × 14.8 × 15.7 in. (54.4 × 37.6 × 40 cm) <b>Refrigerator shelf (W × D):</b> 14.7 × 10.8 in. (37.3 × 27.5 cm) <b>Refrigerator shelf (W × D):</b> 14.7 × 7.1 in. (37.3 × 18 cm) <b>Depth with open door at 90°:</b> 35.2 in. (89.4 cm)
Weight	<b>Gross Weight:</b> 42.5 lbs (19.3 kg) <b>Net Weight:</b> 38.5 lbs (17.5 kg)
Temperature range	32° to 50° F (0° to 10° C)
Power requirements	AC115 V ~ 60 Hz
Current	.8 A
Power cord length	4.9 ft.(1.5 m)
Power consumption (yearly)	215 kwh
Certifications	UL and Energy Star approved

# ONE-YEAR LIMITED WARRANTY - INSIGNIA

## Definitions:

The Distributor\* of Insignia branded products warrants to you, the original purchaser of this new Insignia-branded product ("Product"), that the Product shall be free of defects in the original manufacturer of the material or workmanship for a period of one (1) year from the date of your purchase of the Product ("Warranty Period").

For this warranty to apply, your Product must be purchased in the United States or Canada from a Best Buy branded retail store or online at [www.bestbuy.com](http://www.bestbuy.com) or [www.bestbuy.ca](http://www.bestbuy.ca) and is packaged with this warranty statement.

## How long does the coverage last?

The Warranty Period lasts for 1 year (365 days) from the date you purchased the Product. Your purchase date is printed on the receipt you received with the Product.

## What does this warranty cover?

During the Warranty Period, if the original manufacture of the material or workmanship of the Product is determined to be defective by an authorized Insignia repair center or store personnel, Insignia will (at its sole option): (1) repair the Product with new or rebuilt parts; or (2) replace the Product at no charge with new or rebuilt comparable products or parts. Products and parts replaced under this warranty become the property of Insignia and are not returned to you. If service of Products or parts are required after the Warranty Period expires, you must pay all labor and parts charges. This warranty lasts as long as you own your Insignia Product during the Warranty Period. Warranty coverage terminates if you sell or otherwise transfer the Product.

## How to obtain warranty service?

If you purchased the Product at a Best Buy retail store location or from a Best Buy online website ([www.bestbuy.com](http://www.bestbuy.com) or [www.bestbuy.ca](http://www.bestbuy.ca)), please take your original receipt and the Product to any Best Buy store. Make sure that you place the Product in its original packaging or packaging that provides the same amount of protection as the original packaging.

To obtain warranty service, in the United States and Canada call 1-877-467-4289. Call agents may diagnose and correct the issue over the phone.

## Where is the warranty valid?

This warranty is valid only in the United States and Canada at Best Buy branded retail stores or websites to the original purchaser of the product in the country where the original purchase was made.

## What does the warranty not cover?

This warranty does not cover:

- Customer instruction/education
- Installation
- Set up adjustments
- Cosmetic damage
- Damage due to weather, lightning, and other acts of God, such as power surges
- Accidental damage
- Misuse
- Abuse
- Negligence
- Commercial purposes/use, including but not limited to use in a place of business or in communal areas of a multiple dwelling condominium or apartment complex, or otherwise used in a place of other than a private home.
- Modification of any part of the Product, including the antenna
- Display panel damaged by static (non-moving) images applied for lengthy periods (burn-in).

- Damage due to incorrect operation or maintenance
- Connection to an incorrect voltage or power supply
- Attempted repair by any person not authorized by Insignia to service the Product
- Products sold “as is” or “with all faults”
- Consumables, including but not limited to batteries (i.e. AA, AAA, C etc.)
- Products where the factory applied serial number has been altered or removed
- Loss or Theft of this product or any part of the product
- Display panels containing up to three (3) pixel failures (dots that are dark or incorrectly illuminated) grouped in an area smaller than one tenth (1/10) of the display size or up to five (5) pixel failures throughout the display. (Pixel based displays may contain a limited number of pixels that may not function normally.)
- Failures or Damage caused by any contact including but not limited to liquids, gels or pastes.

REPAIR REPLACEMENT AS PROVIDED UNDER THIS WARRANTY IS YOUR EXCLUSIVE REMEDY FOR BREACH OF WARRANTY. INSIGNIA SHALL NOT BE LIABLE FOR ANY INCIDENTAL OR CONSEQUENTIAL DAMAGES FOR THE BREACH OF ANY EXPRESS OR IMPLIED WARRANTY ON THIS PRODUCT, INCLUDING, BUT NOT LIMITED TO, LOST DATA, LOSS OF USE OF YOUR PRODUCT, LOST BUSINESS OR LOST PROFITS. INSIGNIA PRODUCTS MAKES NO OTHER EXPRESS WARRANTIES WITH RESPECT TO THE PRODUCT, ALL EXPRESS AND IMPLIED WARRANTIES FOR THE PRODUCT, INCLUDING, BUT NOT LIMITED TO, ANY IMPLIED WARRANTIES OF AND CONDITIONS OF MERCHANTABILITY AND FITNESS FOR A PARTICULAR PURPOSE, ARE LIMITED IN DURATION TO THE WARRANTY PERIOD SET FORTH ABOVE AND NO WARRANTIES, WHETHER EXPRESS OR IMPLIED, WILL APPLY AFTER THE WARRANTY PERIOD. SOME STATES, PROVINCES AND JURISDICTIONS DO NOT ALLOW LIMITATIONS ON HOW LONG AN IMPLIED WARRANTY LASTS, SO THE ABOVE LIMITATION MAY NOT APPLY TO YOU. THIS WARRANTY GIVES YOU SPECIFIC LEGAL RIGHTS, AND YOU MAY ALSO HAVE OTHER RIGHTS, WHICH VARY FROM STATE TO STATE OR PROVINCE TO PROVINCE.

Contact Insignia:

For customer service please call 1-877-467-4289

[www.insigniaproducts.com](http://www.insigniaproducts.com)

INSIGNIA is a trademark of Best Buy and its affiliated companies.

Distributed by Best Buy Purchasing, LLC

7601 Penn Ave South, Richfield, MN 55423 U.S.A.

©2021 Best Buy. All rights reserved.

INSIGNIA™

[www.insigniaproducts.com](http://www.insigniaproducts.com)  
1-877-467-4289 (U.S. and Canada) or 01-800-926-3000 (Mexico)

INSIGNIA is a trademark of Best Buy and its affiliated companies.  
Distributed by Best Buy Purchasing, LLC  
7601 Penn Ave South, Richfield, MN 55423 U.S.A.  
©2021 Best Buy. All rights reserved.

V3 ENGLISH  
21-0379