

EAR FORCE[®]
X42
Quick Start Guide

For the full user guide, please go to www.turtlebeach.com/products/X42



Watch Turtle Beach product training videos at:
Youtube.com/TurtleBeachVideos

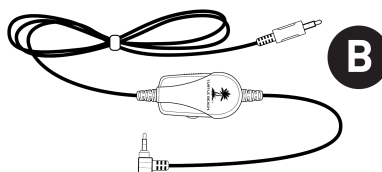


Product support and warranty information:
TurtleBeach.com/support

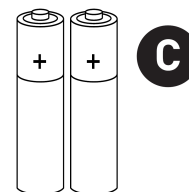
Package Contents



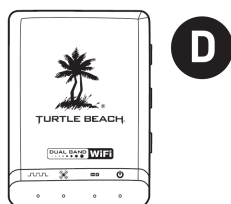
Ear Force X42 Headset with
Removable Microphone



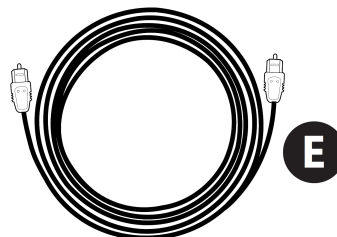
Xbox 360 XTC Talkback Cable*



Two (2) AAA Batteries



X42 Wireless Digital RF
Transmitter



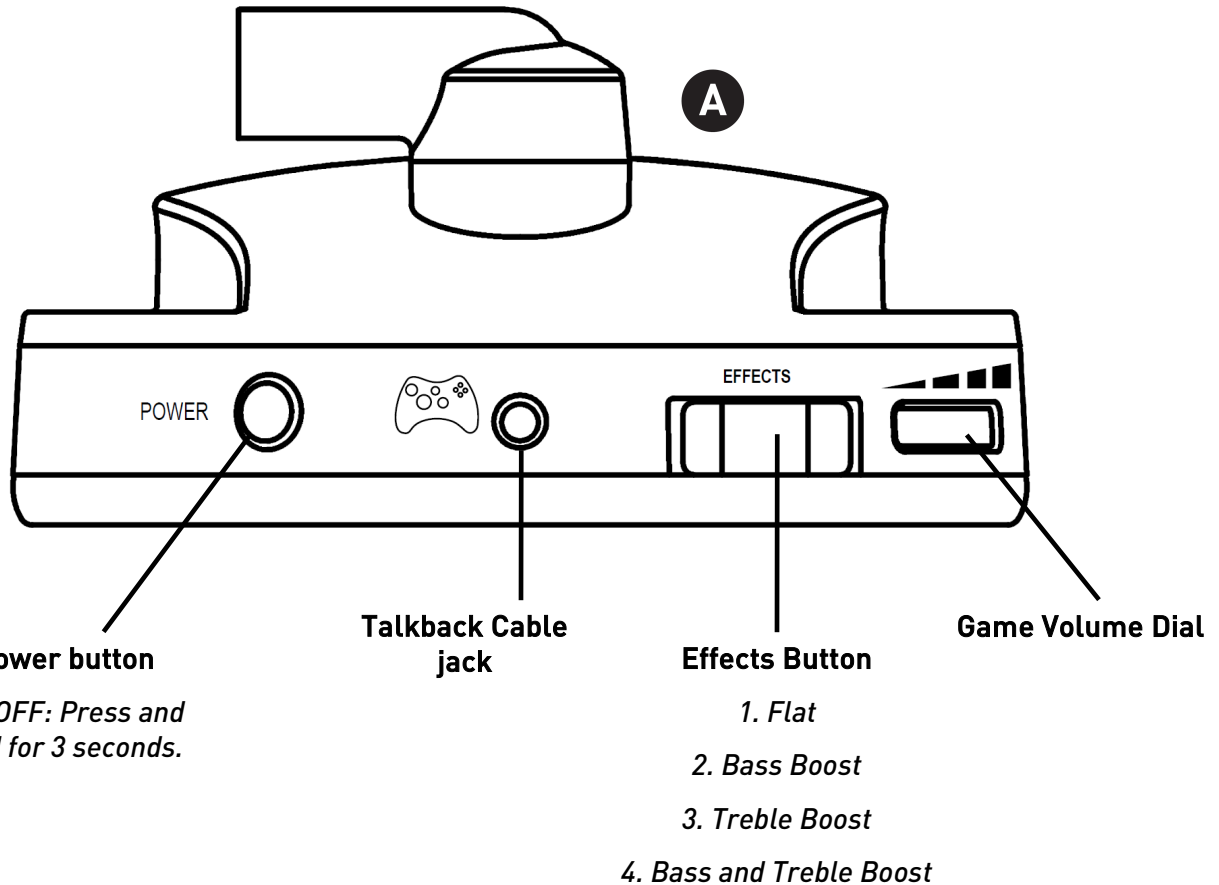
Digital Optical Cable



Turtle Beach Sticker

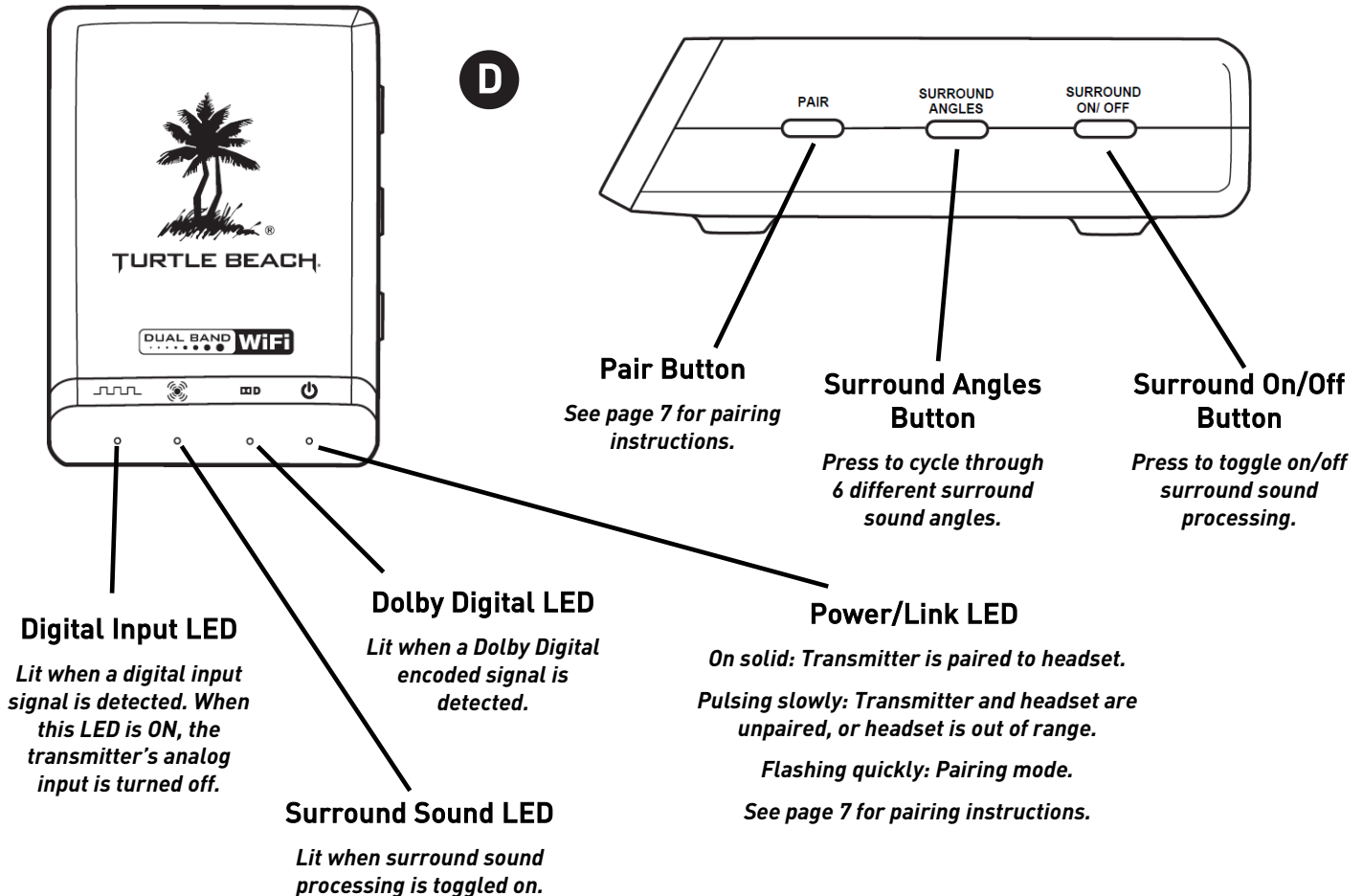
* For best Xbox LIVE chat performance, use with official Microsoft Xbox 360 products.

X42 Headset Controls



More details are found in the full user guide, available for download at:
www.turtlebeach.com/products/X42

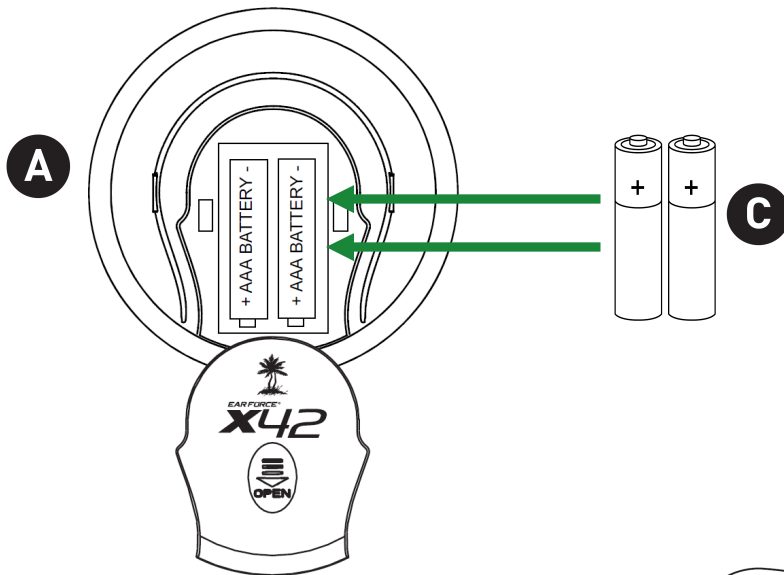
X42 Transmitter Controls



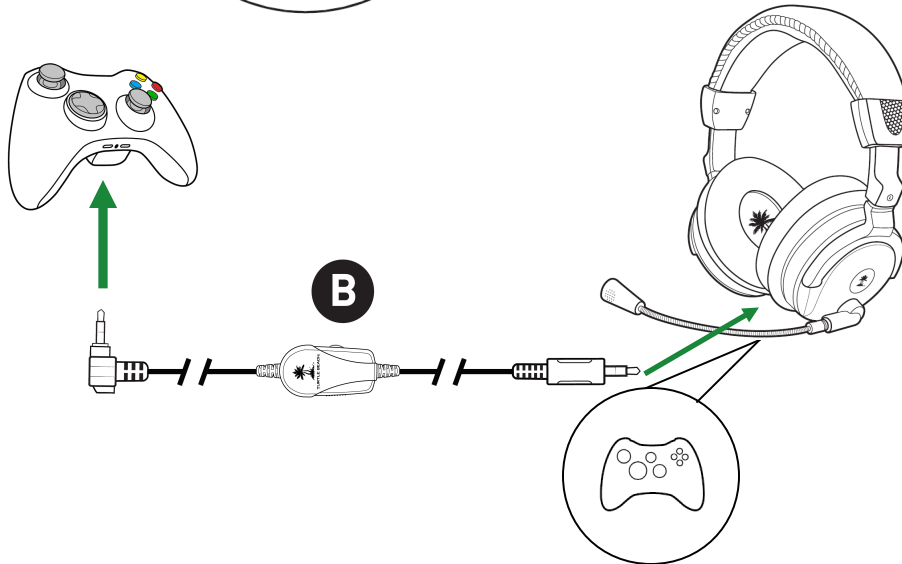
More details are found in the full user guide, available for download at:
www.turtlebeach.com/products/X42

Setup – Headset

1

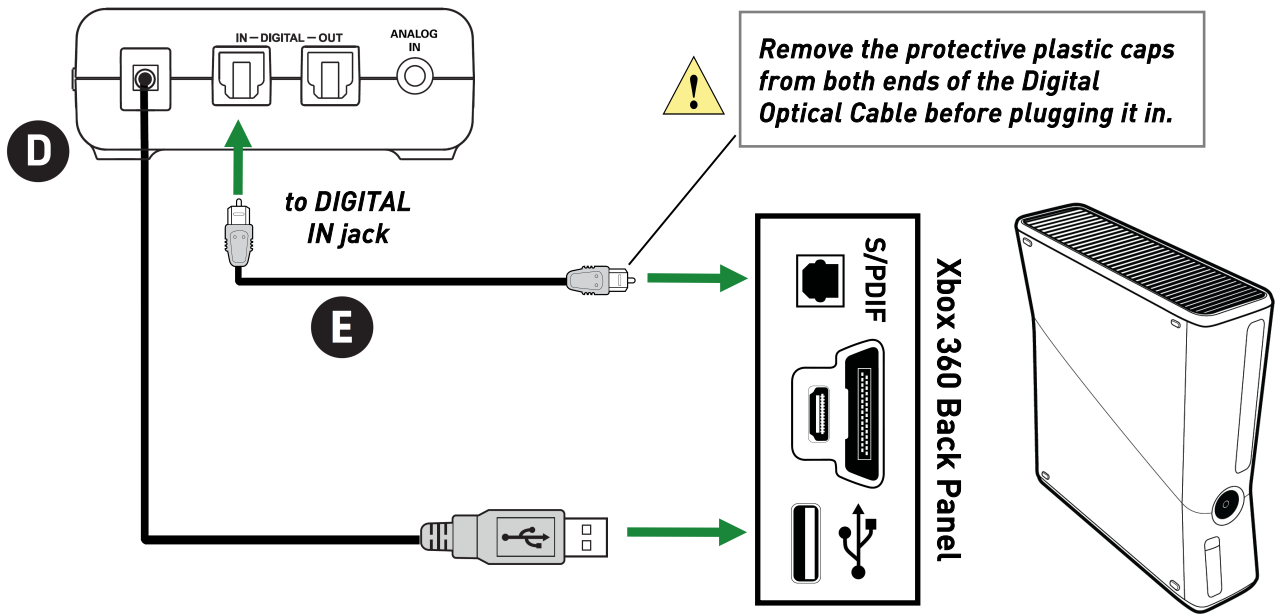


2



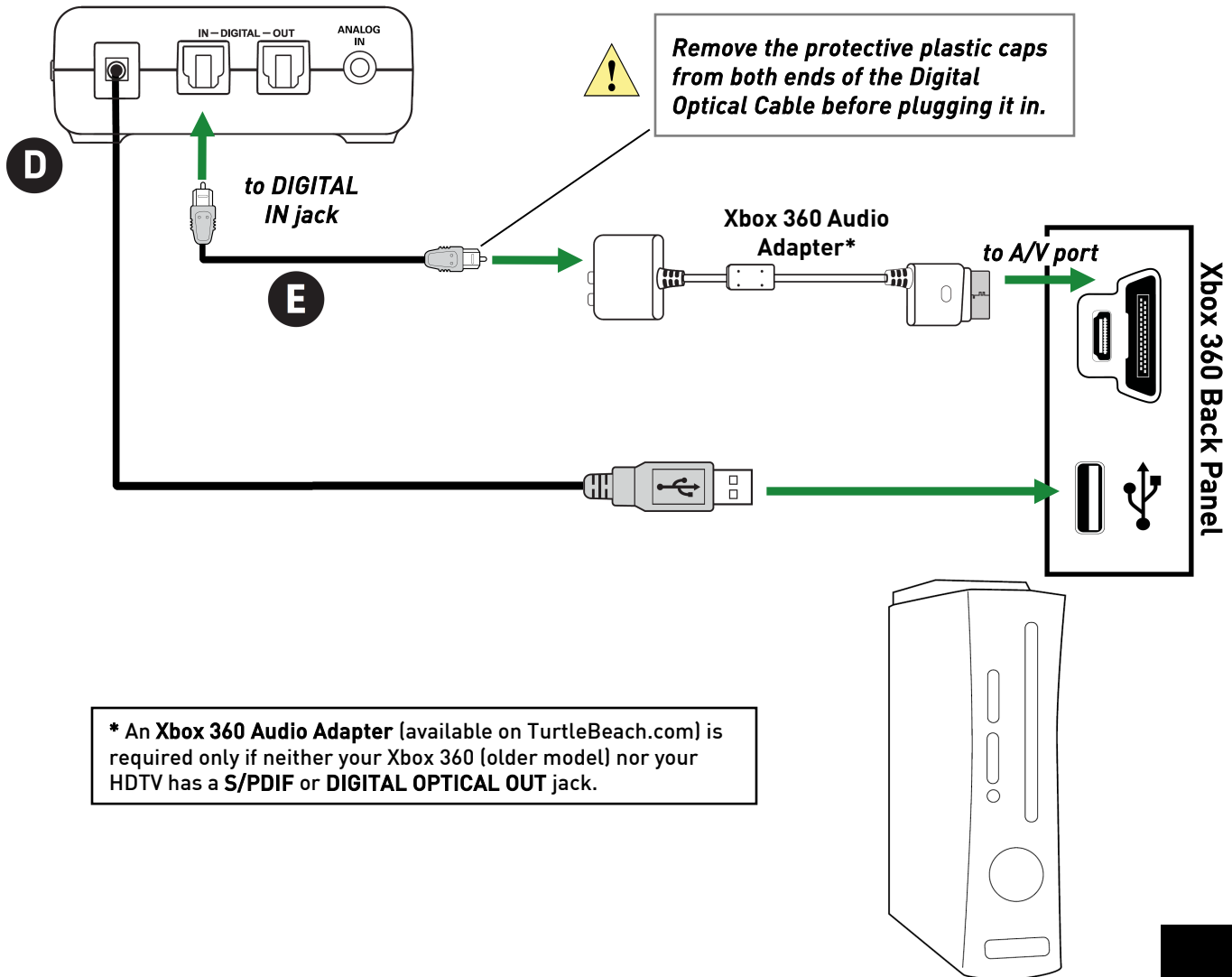
Setup (Continued) – Xbox 360 Slim

3A Option 1: Xbox 360 Slim



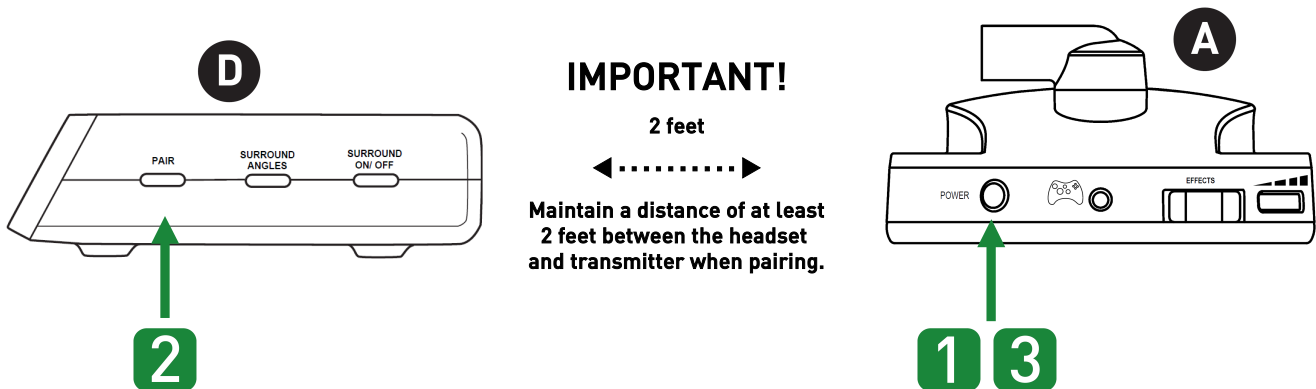
Setup (Continued) – Xbox 360 (Older Models)

3B Option 2: Xbox 360 (Older Models)



Pairing the Headset to the Transmitter

In order to play audio, the X42 headset must be "paired" (linked) to its transmitter. The headset and transmitter are paired out of the box. The instructions below are only necessary if pairing appears to have been lost.



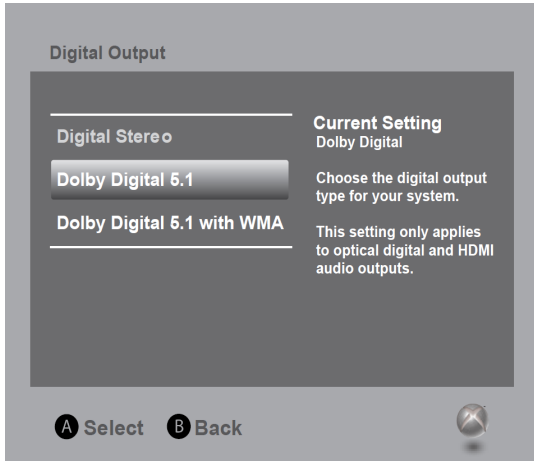
Step 1: Headset should be powered OFF. (Hold **Power** button for 3 seconds.)

Step 2: Press and hold the **Pair** button on the transmitter for 5 seconds until the transmitter's Power/Link LED flashes rapidly. Release.

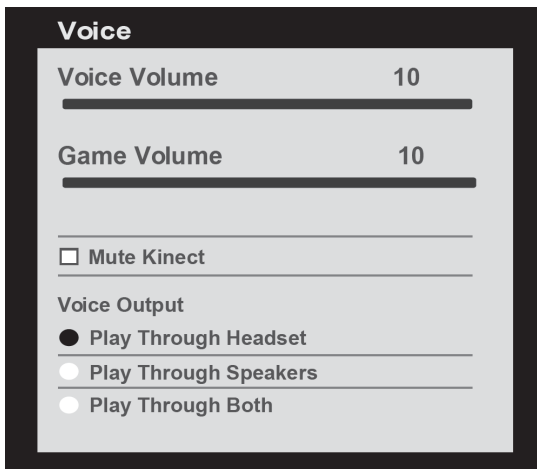
Step 3: Press and hold the headset's **Power** button for 6 seconds until you hear the second double-beep, then release. The headset LED will flash rapidly (twice per second).

Step 4: Within 30 seconds, the transmitter Power/Link LED will remain on solid, and the headset Power light will blink steadily once per second, indicating that pairing was successful.

Xbox 360 Configuration



- 1 Press the silver Xbox Guide button on your Xbox 360 controller.
- 2 Go to **Settings > System Settings > Console Settings > Audio > Digital Output**.
- 3 Set **Digital Output** to “Dolby Digital 5.1”.



- 1 Press the silver Xbox Guide button on your Xbox 360 controller. Go to **Settings > Preferences > Voice**.
- 2 Set **Voice Volume** to “10”.
- 3 Set **Game Volume** to “10”.
- 4 Set **Voice Output** to “Play Through Headset”.