

Distribuido por
HoMEDICS®

GARANTÍA LIMITADA DE UN AÑO

HoMedics vende sus productos con la intención de que no tengan defectos de fabricación ni de mano de obra por el plazo de un año a partir de la fecha de compra original, con las siguientes excepciones. HoMedics garantiza que sus productos no tendrán defectos de material ni de mano de obra en condiciones de uso y servicio normales. Esta garantía se extiende únicamente a consumidores y no a minoristas.

Para obtener servicio del producto HoMedics en garantía, comuníquese con un representante de Relaciones con el Consumidor llamando al 1-800-466-3342 para obtener asistencia. Asegúrese de tener a mano el número de modelo del producto.

No se aceptarán pagos contra entrega.

HoMedics no autoriza a ninguna persona, incluidos, entre otros, minoristas, posteriores consumidores, compradores del producto a un minorista o compradores remotos, a obligar a HoMedics de ninguna otra forma más allá de las condiciones aquí establecidas. La garantía de este producto no cubre daños causados por uso inadecuado o abuso; accidente; conexión de accesorios no autorizados; alteración del producto; instalación inadecuada; reparaciones o modificaciones no autorizadas; uso inadecuado de la fuente de energía/electricidad; cortes de energía; salida del producto del mercado; funcionamiento incorrecto o daño de una pieza de funcionamiento debido al no cumplimiento del mantenimiento recomendado por el fabricante; daños durante el transporte; robo; descuido; vandalismo; condiciones climáticas; pérdida de uso en el período durante el cual el producto está en una instalación de reparación o a la espera de piezas o reparación; o cualquier otra condición, sin importar cuál sea, que se encuentre fuera del control de HoMedics.

Esta garantía es válida solamente si el producto se compra y se utiliza en el país en que se compra. Un producto que requiera modificaciones o adaptación para habilitar su funcionamiento en cualquier otro país que no sea aquel para el que fue diseñado, fabricado, aprobado y/o autorizado; o la reparación de productos dañados por estas modificaciones no está cubierto en esta garantía.

LA GARANTÍA QUE SE PROPORCIONA EN EL PRESENTE DOCUMENTO SERÁ LA GARANTÍA ÚNICA Y EXCLUSIVA. NO EXISTIRÁN OTRAS GARANTÍAS EXPRESAS NI IMPLÍCITAS, QUE INCLUYEN CUALQUIER GARANTÍA IMPLÍCITA DE COMERCIALIZACIÓN O APTITUD, NI NINGUNA OTRA OBLIGACIÓN POR PARTE DE LA COMPAÑÍA CON RESPECTO A LOS PRODUCTOS CUBIERTOS POR ESTA GARANTÍA. HoMEDICS NO TENDRÁ RESPONSABILIDAD ALGUNA POR NINGÚN DAÑO INCIDENTAL, CONSECUENTE NI ESPECIAL. EN NINGÚN CASO ESTA GARANTÍA REQUERIRÁ MÁS QUE LA REPARACIÓN O EL REEMPLAZO DE CUALQUIER PIEZA O PIEZAS QUE SE DETERMINE QUE TIENEN DEFECTOS DENTRO DEL PERÍODO DE VIGENCIA DE LA GARANTÍA. NO SE ENTREGARÁN REEMBOLSOS. SI NO HAY PIEZAS DE REPUESTO DISPONIBLES PARA LOS MATERIALES DEFECTUOSOS, HoMEDICS SE RESERVA EL DERECHO DE REALIZAR SUSTITUCIONES DEL PRODUCTO EN LUGAR DE REPARAR O CAMBIAR PIEZAS.

Esta garantía no se extiende a la compra de productos abiertos, usados, reparados, vueltos a empacar y/o vueltos a sellar, que incluyen, entre otras cosas, la venta de dichos productos en sitios de remate por Internet y/o la venta de dichos productos por revendedores o mayoristas. Todas y cada una de las garantías cesarán y terminarán inmediatamente con respecto a cualquier producto o pieza del mismo que se haya reparado, cambiado, alterado o modificado sin el consentimiento previo explícito y por escrito de HoMedics.

Esta garantía le proporciona derechos legales específicos. Es posible que usted tenga derechos adicionales que pueden variar de un estado a otro. Debido a las regulaciones de ciertos estados, es posible que algunas de las limitaciones y exclusiones mencionadas arriba no se apliquen en su caso.

Para obtener más información con respecto a nuestra línea de productos en los Estados Unidos, visítenos en: www.homedics.com

HoMedics y Sound Spa son marcas comerciales registradas de HoMedics, LLC.
©2013 HoMedics, LLC. Todos los derechos reservados.
IB-SS4520

Distributed by
HoMEDICS®

Sound Spa® Projection Clock Radio



Instruction Manual and
Warranty Information

SS-4520

El manual en Español
empieza a la página 12

1 year
limited warranty

Create your perfect sleep environment.

Thank you for purchasing Sound Spa, the HoMedics acoustic relaxation machine. This, like the entire HoMedics product line, is built with high-quality craftsmanship to provide you years of dependable service. We hope that you will find it to be the finest product of its kind.

Sound Spa helps create your perfect sleep environment. Fall asleep to any of its eight calming sounds, then wake to nature sounds or alarm. Sound Spa can also mask distractions to improve your concentration while you read, work or study.



Sound Spa Clock Radio Features

- 8 Nature Sounds: rain, ocean, brook, white noise, thunderstorm, rainforest, fan, and campfire.
- Built-in projector to display time on ceiling, wall, or any flat surface
- Full function dual alarm with snooze and gradual wake
- Digital FM radio
- Enhanced LCD display
- Battery backup (Battery type CR-2032)

IMPORTANT SAFEGUARDS:

WHEN USING AN ELECTRICAL PRODUCT, BASIC PRECAUTIONS SHOULD ALWAYS BE FOLLOWED, INCLUDING THE FOLLOWING:

READ ALL INSTRUCTIONS BEFORE USING

WARNING: DO NOT PLACE SPEAKERS TOO CLOSE TO EARS. MAY CAUSE DAMAGE TO EAR DRUMS, ESPECIALLY IN YOUNG CHILDREN.

- Close supervision is necessary when this product is used by, on or near children, invalids or disabled persons.
- Use this product only for its intended use as described in this manual. Do not use attachments not recommended by HoMedics.
- DO NOT place or store this product where it can fall or be dropped into a tub or sink.
- DO NOT place or drop into water or any other liquid.
- Not for use by children. THIS IS NOT A TOY.
- Turn off product when not in use.
- NEVER operate this product if it has a damaged cord, plug, cable or housing.
- Keep away from heated surfaces.
- Only set on dry surfaces. Do not place on surface wet from water or cleaning solvents.

SAVE THESE INSTRUCTIONS

CAUTION: PLEASE READ ALL INSTRUCTIONS CAREFULLY BEFORE OPERATING.

- NEVER leave the product unattended, especially if children are present.
- NEVER cover the product when it is in operation.
- This unit should not be used by children without adult supervision.
- Always keep the product away from high temperature and fire.

Battery Precautions

- Use only the size and type of batteries specified.
- When installing batteries, observe proper +/- polarities. Incorrect installation of battery may cause damage to the unit.
- Do not mix different types of batteries together (e.g., alkaline with carbon-zinc or old batteries with new ones).
- If the unit is not going to be used for a long period of time, remove batteries to prevent damage due to possible battery leakage.
- Do not dispose of batteries in fire. Batteries may explode or leak.
- Dispose of used batteries properly in accordance with all state, province, and county regulations.

Assembly and Instructions for Use

Unpack the unit carefully. Remove all the accessories from the carton. Do not remove any labels or stickers on the bottom of the unit or adapter. Before setting up the unit, verify that the following contents are present:

- Sound Spa Auto Set Clock Radio x 1
- AC Adapter and power cord x 1

Power Source

This unit is supplied with an AC adapter; take the following steps to connect the adaptor.

1. Unwind the power cord of the AC adaptor to its full length.
2. Connect the AC adapter to the DC5V Input.
3. Plug the AC adapter into an outlet (100V – 240VAC 50/60 Hz).
4. To power the unit off completely, unplug the AC adapter from the wall outlet.

NOTE: Connecting this system to any other power source may cause damage to the system. For sufficient ventilation, keep other objects at least 4 inches away from the unit.

Setting Clock Time

Press and hold (3 seconds) the TIME SET button on back of unit (Fig. 2), the hour will begin to flash. Select the hour using the VOLUME buttons on the top to adjust the hour (when in 12 hour mode remember to set correct AM/PM, a "PM" icon will be displayed) (Fig. 1), press TIME SET button again to select the minute using the VOLUME buttons on top again to adjust. Press TIME SET button again, now time is set.

NOTE: After time is set, press TIME SET button again and use the VOLUME button to select 12 or 24 hour format.

Setting and Using the Alarms

Setting Alarm 1 or Alarm 2

1. Press and hold (3 seconds) the desired alarm button (ALARM 1 or ALARM 2) located on the top of the unit to activate the alarm set feature. (Fig. 1)
2. Press and hold the ALARM button again and the hour will begin flashing.
3. Use the TUNER button (or the volume up/down button) on top of the unit to adjust the hour, paying attention to the AM and PM indicators (when in 12 hour mode).
4. Press the ALARM button again and the minute will begin flashing. Use TUNER button again to adjust the minute.
5. Press the ALARM button again to select the source. The alarm can be set to sound a Beep, Nature Sounds or play the FM radio. Select using the TUNER button.
6. Press ALARM button again to adjust the maximum volume of the gradual wake feature (alarm begins soft and slowly gets louder) by using the TUNER buttons to adjust the sound level up or down.
7. Press the ALARM button a final time, the alarm is now set.

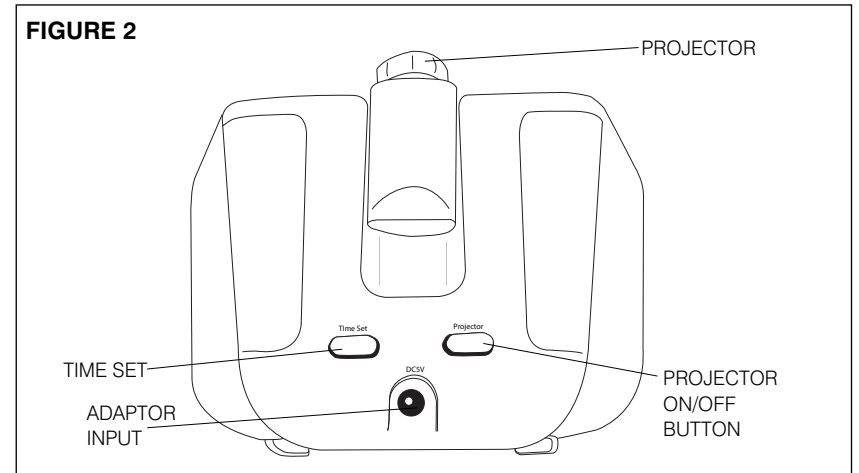
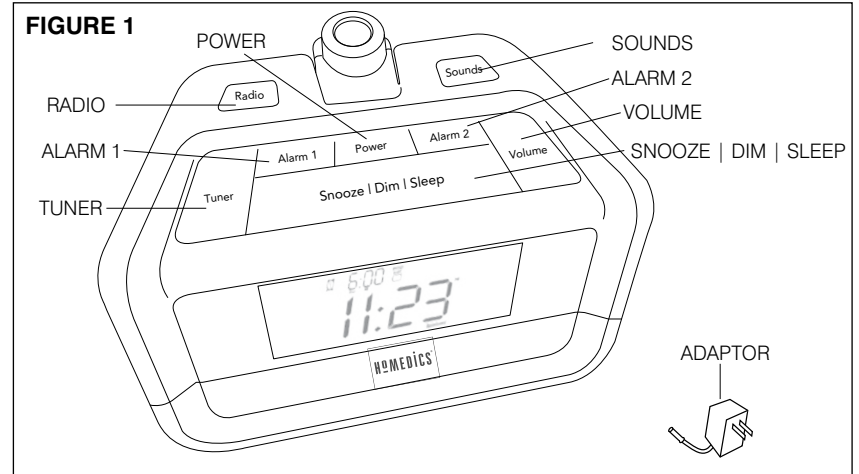
Turning Off The Alarm / Snooze Operation

The Sound Spa is equipped with gradual wake, which means that the alarm begins soft and slowly gets louder. This will ensure a non-jarring wake-up.

- After the alarm sounds, press the SNOOZE bar located on the top of the unit and the alarm will sound again after nine minutes.

NOTE: You may only press the SNOOZE button during the ALARM mode for one hour (7 times). After the seventh time, the alarm will turn off and will not sound again until the next set time.

- To turn off the alarm, press any button (except the SNOOZE/DIM/SLEEP button) on the top of the unit.



Listening to the Radio

NOTE: For best reception, fully unwind the wire antenna. DO NOT strip, alter or attach to other antennas.

1. To listen to the radio, press the POWER button located on top of the unit.
2. Press the RADIO button on the unit until FM icon and station frequency appears on the display.
3. Use the TUNER selector button on the top of the unit to select desired station. For auto seek press and hold TUNER selector for 2 seconds then release and the tuner will find the next station with a signal.
4. Press the POWER button to turn radio off.

Sounds

1. To listen to the Nature Sounds, press the POWER button on the top of the unit.
2. Press the SOUND button to scroll through the sounds.
3. Your sound selection will illuminate on the LCD screen.

Sleep Feature

While listening to the radio press the SNOOZE/DIM/SLEEP button to activate the sleep feature. This allows you to set a sleep timer for 15, 30, 45, and 60 minutes. Once set, the unit will continue playing for the set length of time, then will automatically turn off.

Projector Function

The Sound Spa is equipped with a feature that allows you to project the TIME on any flat surface.

1. To turn projector on, press the PROJECTOR button on back of unit.
2. Carefully move the PROJECTOR device up or down to change where the image gets projected.
3. To adjust the focus, carefully turn the round end of the projector lens to the desired focus.
4. Press the PROJECTOR button to turn off.

Volume Control

To adjust the volume, use the VOLUME buttons located on the top of the unit.

Display Dimmer Control

Press the SNOOZE/DIM/SLEEP bar to adjust the backlight intensity of the clock display. The POWER selector button needs to be off to use the dimmer control.

Backup Battery

This alarm clock is equipped with a battery backup feature (1 CR-2032 battery included and already installed) to keep the clock time and alarm settings during power outage. The battery is located on the bottom of the unit for easy access (small Phillips head screw driver required, not included).

Maintenance

To Store: You may leave the unit on display, or you can store it in a cool, dry place.

To Clean: Use only a soft dry cloth to clean the enclosure of the unit.

NEVER use liquids or abrasive cleaner to clean.

FCC Disclaimer

NOTE: This device complies with part 15 of the FCC Rules. Operation is subject to the following two conditions: (1) This device may not cause harmful interference, and (2) this device must accept any interference received, including interference that may cause undesired operation.

NOTE: This equipment has been tested and found to comply with the limits for a Class B digital device, pursuant to part 15 of the FCC Rules. These limits are designed to provide reasonable protection against harmful interference in a residential installation. This equipment generates, uses and can radiate radio frequency energy and, if not installed and used in accordance with the instructions, may cause harmful interference to radio communications. However, there is no guarantee that interference will not occur in a particular installation. If this equipment does cause harmful interference to radio or television reception, which can be determined by turning the equipment off and on, the user is encouraged to try to correct the interference by one or more of the following measures:

- Reorient or relocate the receiving antenna.
- Increase the separation between the equipment and receiver.
- Connect the equipment into an outlet on a circuit different from that to which the receiver is connected.
- Consult the dealer or an experienced radio/TV technician for help.

Changes or modifications not expressly approved by HoMedics could void the user's authority to operate the equipment.

Distributed by
HoMEDICS®

LIMITED ONE YEAR WARRANTY

HoMedics sells its products with the intent that they are free of defects in manufacture and workmanship for a period of one year from the date of original purchase, except as noted below. HoMedics warrants that its products will be free of defects in material and workmanship under normal use and service. This warranty extends only to consumers and does not extend to Retailers.

To obtain warranty service on your HoMedics product, contact a Consumer Relations Representative by telephone at 1-800-466-3342 for assistance. Please make sure to have the model number of the product available.

No COD's will be accepted.

HoMedics does not authorize anyone, including, but not limited to, Retailers, the subsequent consumer purchaser of the product from a Retailer or remote purchasers, to obligate HoMedics in any way beyond the terms set forth herein. This warranty does not cover damage caused by misuse or abuse; accident; the attachment of any unauthorized accessory; alteration to the product; improper installation; unauthorized repairs or modifications; improper use of electrical/power supply; loss of power; dropped product; malfunction or damage of an operating part from failure to provide manufacturer's recommended maintenance; transportation damage; theft; neglect; vandalism; or environmental conditions; loss of use during the period the product is at a repair facility or otherwise awaiting parts or repair; or any other conditions whatsoever that are beyond the control of HoMedics.

This warranty is effective only if the product is purchased and operated in the country in which the product is purchased. A product that requires modifications or adoption to enable it to operate in any other country than the country for which it was designed, manufactured, approved and/or authorized, or repair of products damaged by these modifications is not covered under this warranty.

THE WARRANTY PROVIDED HEREIN SHALL BE THE SOLE AND EXCLUSIVE WARRANTY. THERE SHALL BE NO OTHER WARRANTIES EXPRESS OR IMPLIED INCLUDING ANY IMPLIED WARRANTY OF MERCHANTABILITY OR FITNESS OR ANY OTHER OBLIGATION ON THE PART OF THE COMPANY WITH RESPECT TO PRODUCTS COVERED BY THIS WARRANTY. HOMEDICS SHALL HAVE NO LIABILITY FOR ANY INCIDENTAL, CONSEQUENTIAL OR SPECIAL DAMAGES. IN NO EVENT SHALL THIS WARRANTY REQUIRE MORE THAN THE REPAIR OR REPLACEMENT OF ANY PART OR PARTS WHICH ARE FOUND TO BE DEFECTIVE WITHIN THE EFFECTIVE PERIOD OF THE WARRANTY. NO REFUNDS WILL BE GIVEN. IF REPLACEMENT PARTS FOR DEFECTIVE MATERIALS ARE NOT AVAILABLE, HOMEDICS RESERVES THE RIGHT TO MAKE PRODUCT SUBSTITUTIONS IN LIEU OF REPAIR OR REPLACEMENT.

This warranty does not extend to the purchase of opened, used, repaired, repackaged and/or resold products, including but not limited to sale of such products on Internet auction sites and/or sales of such products by surplus or bulk resellers. Any and all warranties or guarantees shall immediately cease and terminate as to any products or parts thereof which are repaired, replaced, altered, or modified, without the prior express and written consent of HoMedics.

This warranty provides you with specific legal rights. You may have additional rights which may vary from state to state. Because of individual state regulations, some of the above limitations and exclusions may not apply to you.

For more information regarding our product line in the USA, please visit:
www.homedics.com

HoMedics and Sound Spa are registered trademarks of HoMedics, LLC.
© 2013 HoMedics, LLC. All rights reserved.
IB-SS4520

Distribuido por
HoMEDICS®

Radio reloj con proyección Sound Spa®



Manual de instrucciones
e información de garantía

SS-4520

1 año de
garantía limitada

Cree su ambiente perfecto para dormir.

Gracias por comprar el radio reloj SoundSpa, el equipo de relajación acústica de HoMedics. Este producto, al igual que toda la línea de productos HoMedics, está fabricado con mano de obra de alta calidad para brindarle años de servicio confiable. Esperamos que este equipo sea para usted el mejor producto de estas características.

El radio reloj SoundSpa ayuda a crear su ambiente perfecto para dormir. Duérmase con cualquiera de sus seis sonidos relajantes y luego despiértese con los sonidos de la naturaleza o la alarma. El radio reloj Sound Spa puede también encubrir distracciones para mejorar su concentración mientras lee, trabaja o estudia.



Funciones del radio reloj Sound Spa

- 8 sonidos naturales: lluvia, océano, brook, ruido blanco, trueno, bosque lluvioso, cascada, y hoguera.
- Proyector incorporado para mostrar la hora sobre el techo, la pared o cualquier superficie plana.
- Doble alarma con función completa de repetición y aumento gradual de sonido.
- Radio FM digital.
- Pantalla LCD mejorada.
- Batería de respaldo (tipo de batería CR-2032).

PRECAUCIONES IMPORTANTES:

CUANDO USE UN PRODUCTO ELÉCTRICO, SIEMPRE SE DEBEN TENER EN CUENTA ALGUNAS PRECAUCIONES BÁSICAS, QUE INCLUYEN LAS SIGUIENTES:

LEA TODAS LAS INSTRUCCIONES ANTES DE USAR EL PRODUCTO.

ADVERTENCIA: NO COLOQUE LOS PARLANTES DEMASIADO CERCA DE LOS OÍDOS. ESTO PUEDE CAUSAR DAÑO A LOS TÍMPANOS, ESPECIALMENTE EN NIÑOS PEQUEÑOS.

- Es necesaria una supervisión estricta cuando este producto sea usado por niños o personas inválidas o con discapacidades, o cerca de ellos.
- Utilice este producto solamente para el uso para el cual está diseñado y como se describe en este manual. No utilice accesorios no recomendados por HoMedics.
- NO coloque ni guarde este producto en donde pueda caerse o ser tirado en una tina o pileta.
- NO lo coloque ni lo deje caer en agua ni en ningún otro líquido.
- No está diseñado para ser usado por niños. ESTE PRODUCTO NO ES UN JUGUETE.
- Apague este producto cuando no esté en uso.
- NUNCA ponga en funcionamiento este producto si el cable, el enchufe, el hilo o la carcasa están dañados.
- Manténgalo alejado de superficies calientes.
- Colóquelo únicamente sobre superficies secas. No lo coloque sobre superficies mojadas con agua o solventes de limpieza.

GUARDE ESTAS INSTRUCCIONES

PRECAUCIÓN: SÍRVASE LEER TODAS LAS INSTRUCCIONES CON ATENCIÓN ANTES DE PONER EN FUNCIONAMIENTO EL PRODUCTO.

- NUNCA deje el producto sin supervisión, especialmente si hay niños presentes.
- NUNCA cubra el producto mientras esté en funcionamiento.
- Esta unidad no debe ser utilizada por niños sin la supervisión de un adulto.
- Siempre mantenga el producto alejado de las temperaturas altas y del fuego.

Precauciones sobre las baterías

- Use únicamente el tamaño y tipo de baterías especificado.
- Cuando coloque las baterías, tenga en cuenta las polaridades adecuadas +/- . La colocación incorrecta de las baterías puede causar daños a la unidad.
- No mezcle diferentes tipos de baterías entre sí (por ejemplo, baterías alcalinas con baterías de carbón-cinc o baterías usadas con baterías nuevas).
- Si la unidad no se va a usar durante un período prolongado, retire las baterías para evitar daños debido a posibles pérdidas de las baterías.
- No arroje las baterías al fuego, pueden explotar o perder líquido.
- Deseche las baterías adecuadamente de acuerdo con todas las reglamentaciones estatales, provinciales y nacionales.

Armado e instrucciones de uso

Desempaque la unidad con cuidado. Retire todos los accesorios de la caja. No retire ninguna etiqueta o adhesivo de la parte inferior de la unidad o del adaptador. Antes de configurar la unidad, verifique la presencia de lo siguiente:

- 1 radio reloj con configuración automática Sound Spa
- 1 cable de corriente y adaptador de CA

Fuente de energía

Esta unidad se entrega con un adaptador de CA. Siga los pasos que se mencionan a continuación para conectar el adaptador.

1. Desenrolle el cable de corriente del adaptador de CA por completo.
2. Conecte el adaptador de CA a la entrada DC5V.
3. Enchufe el adaptador de CA a un tomacorriente (100 V a 240 V CA, 50/60 Hz).
4. Para apagar por completo la unidad, desenchufe el adaptador de CA del tomacorriente de pared.

NOTA: Conectar este sistema a cualquier otra fuente de energía eléctrica podría ocasionar daños al sistema. Para que la ventilación sea adecuada, mantenga otros objetos a unos 10 cm (4 pulgadas) de distancia de la unidad como mínimo.

Configuración de la hora del reloj

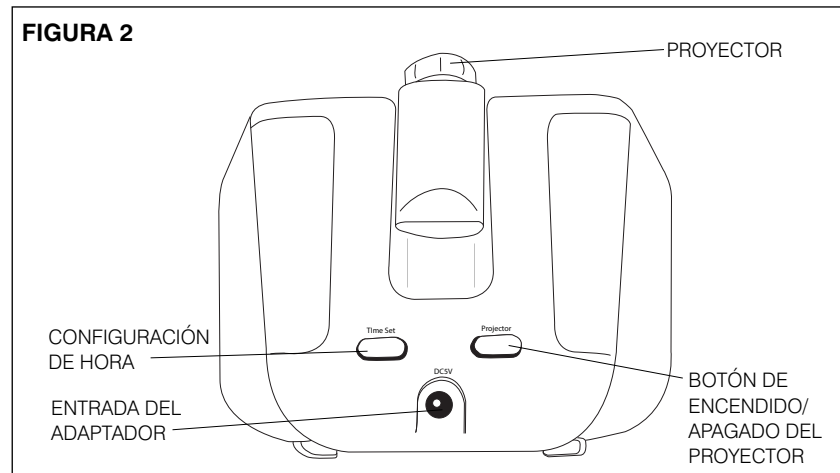
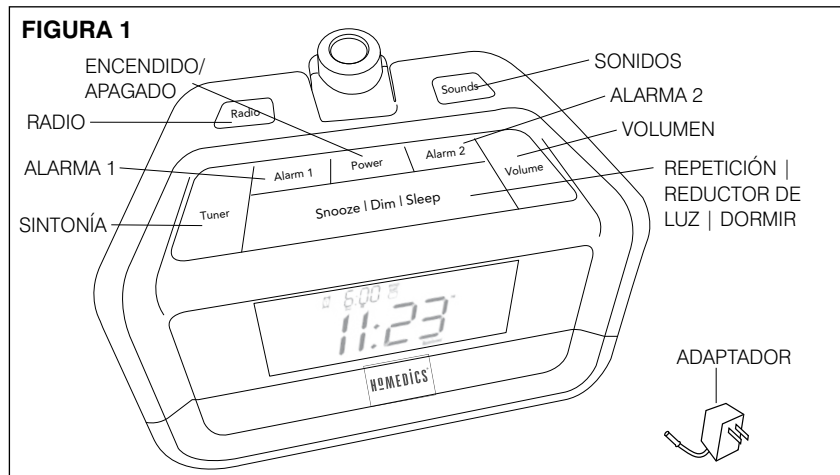
Presione sin soltar (3 segundos) el botón TIME SET (configuración de hora) (Figura 2) ubicado en la parte trasera de la unidad, la hora comenzará a parpadear. Seleccione la hora utilizando el botón VOLUME (volumen) que se encuentra en la parte superior para ajustar la hora (cuando esté en el modo 12 horas, recuerde seleccionar correctamente AM/PM, aparecerá un ícono "PM") (Figura 1), vuelva a presionar el botón TIME SET (configuración de hora) para seleccionar los minutos utilizando el botón VOLUME (volumen) ubicado en la parte superior para volver a ajustar la hora. Presione el botón TIME SET (configuración de hora) nuevamente para que la hora quede configurada.

NOTA: Después de configurar la hora, presione nuevamente el botón TIME SET (configuración de hora) y utilice el botón VOLUME (volumen) para establecer el formato de 12 o 24 horas.

Configuración y uso de las alarmas

Configuración de Alarma 1 o Alarma 2

1. Presione sin soltar (3 segundos) el botón de alarma deseada (ALARM 1 o ALARM 2 [alarma 1 o alarma 2]) ubicado en la parte superior de la unidad para activar la función de configuración de alarma. (Figura 1).
2. Vuelva a presionar sin soltar el botón ALARM (alarma), la hora comenzará a parpadear.
3. Use el botón TUNER (sintonía) (o el botón subir/bajar volumen) ubicado en la parte superior de la unidad para fijar la hora, prestando atención a los indicadores de A. M. y P. M. (cuando esté en el modo 12 horas).
4. Presione nuevamente el botón ALARM (alarma), los minutos comenzarán a parpadear. Vuelva a utilizar el botón TUNER (sintonía) para ajustar los minutos.
5. Vuelva a presionar el botón ALARM (alarma) para seleccionar la fuente. La alarma se puede configurar para que suene un pitido, sonidos de la naturaleza o se escuche la radio FM. Seleccione la opción que desee usando el botón TUNER (sintonía).
6. Vuelva a presionar el botón ALARM (alarma) para ajustar el volumen máximo de la función de despertador gradual (la alarma comienza a sonar suave y el sonido va aumentando su intensidad lentamente) usando el botón TURNER (sintonía) para subir o bajar el nivel de sonido.
7. Presione el botón ALARM (alarma) una última vez para que la alarma quede configurada.



Desactivación de la función de alarma/repetición

La unidad Sound Spa cuenta con una función de despertador gradual, lo que significa que la alarma comienza a sonar suave y el sonido va aumentando su intensidad lentamente. Esto permitirá que se despierte sin sobresaltos.

- Cuando suene la alarma, presione la barra SNOOZE (repetición) ubicada en la parte superior de la unidad y la alarma volverá a activarse después de nueve minutos.

NOTA: Solo puede presionar el botón SNOOZE (repetición) en el modo de ALARMA durante una hora (7 veces). Después de la séptima vez, la alarma se desactivará y no volverá a sonar hasta la próxima hora configurada.

- Para apagar la alarma, presione cualquier botón (excepto el botón SNOOZE/DIM/SLEEP [repetición/reductor de luz/dormir]) en la parte superior de la unidad.

Para escuchar la radio

NOTA: Para tener la mejor recepción, desenrolle la antena por completo. NO la pele, altere o conecte a otras antenas.

1. Para escuchar la radio, presione el botón POWER (encendido/apagado) ubicado en la parte superior de la unidad.
2. Presione el botón RADIO de la unidad hasta que aparezcan en pantalla el icono de FM y la frecuencia de la estación.
3. Use el botón TUNER (sintonía) ubicado en la parte superior de la unidad para seleccionar la estación deseada. Para la búsqueda automática, presione sin soltar el selector TUNER (sintonía) durante 2 segundos, luego suéltelo y el sintonizador encontrará la siguiente estación con señal.
4. Presione el botón POWER (encendido/apagado) para apagar la radio.

Sonidos

1. Para escuchar los sonidos de la naturaleza, presione el botón POWER (encendido/apagado) ubicado en la parte superior de la unidad.
2. Presione el botón SOUNDS (sonidos) para desplazarse por los sonidos.
3. El sonido que elija se iluminará en la pantalla LCD.

Función de dormir

Mientras escucha la radio, presione el botón SNOOZE/DIM/SLEEP (repetición/reductor de luz/dormir) para activar la función de dormir. De esta manera, podrá establecer el apagado automático en 15, 30, 45, y 60 minutos. Una vez establecido el apagado automático, la unidad seguirá reproduciendo música durante el tiempo fijado y luego se apagará automáticamente.

Función del proyector

La radio reloj Sound Spa cuenta con una función que le permite proyectar la hora en cualquier superficie plana.

1. Para encender el proyector, presione el botón PROJECTOR (proyector) que se encuentra en la parte trasera de la unidad.
2. Mueva con cuidado el dispositivo PROJECTOR (proyector) hacia arriba o hacia abajo para cambiar el lugar donde se proyecta la imagen.
3. Para ajustar el foco, gire con cuidado el extremo redondo de la lente del proyector hasta lograr el foco deseado.
4. Presione el botón PROJECTOR (proyector) para apagar la unidad.

Control de volumen

Para ajustar el volumen, use el botón VOLUME (volumen) ubicado en la parte superior de la unidad.

Control del reductor de luz de la pantalla

Presione la barra SNOOZE/DIM/SLEEP (repetición/reductor de luz/dormir) para ajustar la intensidad de la luz de fondo de la pantalla del reloj. Para utilizar el control del reductor de luz, el botón selector POWER (encendido/apagado) debe estar apagado.

Batería de respaldo

Este reloj despertador está equipado con una función de respaldo de batería (se incluye 1 batería CR-2032 que ya está instalada) para preservar las configuraciones de hora y alarma del reloj durante un corte de energía. La batería se encuentra en la parte inferior de la unidad para tener un fácil acceso (se necesita un destornillador Phillips pequeño, no incluido).

Mantenimiento

Para guardar: Puede dejar la unidad exhibida o puede guardarla en un lugar fresco y seco.

Para limpiar: Use solamente un paño suave y seco para limpiar el exterior de la unidad.

NUNCA use líquidos ni limpiadores abrasivos para limpiar la unidad.

Descargo de responsabilidad de la FCC

NOTA: Este dispositivo cumple con la sección 15 de las Normas de la FCC. El funcionamiento está sujeto a las dos condiciones siguientes: (1) este dispositivo no puede causar interferencias perjudiciales y (2) este dispositivo debe aceptar cualquier interferencia que reciba, incluso la interferencia que pueda causar un funcionamiento no deseado.

NOTA: Este equipo ha sido probado y se ha comprobado que cumple con los límites para un dispositivo digital de Clase B, conforme a la sección 15 de las Normas de la FCC. Estos límites están diseñados para proporcionar protección razonable contra interferencias perjudiciales en una instalación residencial. Este equipo genera, utiliza y puede irradiar energía de radiofrecuencia, y si no se instala y se utiliza de acuerdo con las instrucciones, puede causar interferencia perjudicial en las comunicaciones de radio. Sin embargo, no existe ninguna garantía de que no se producirá interferencia en una instalación particular. Si este equipo causa interferencia perjudicial a la recepción de radio o televisión, lo cual puede determinarse encendiendo y apagando el equipo, se recomienda que el usuario intente corregir la interferencia mediante una o más de las siguientes medidas:

- Vuelva a orientar o ubicar la antena de recepción.
- Aumente la distancia entre el equipo y el receptor.
- Conecte el equipo en un tomacorriente de un circuito diferente del que esté conectado el receptor.
- Consulte con el distribuidor o con un técnico experto en radio/televisión para obtener ayuda.