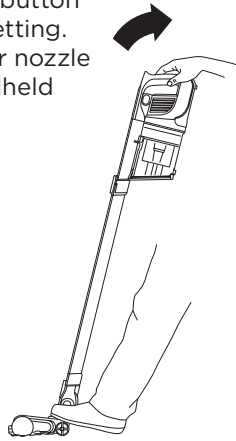


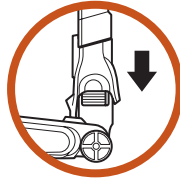
VERSATILE CLEANING

Slide the power button to the desired setting. Step on the floor nozzle and tilt the handheld vacuum back.



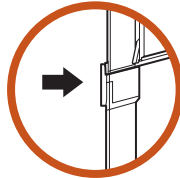
NOTE: Brushroll will only engage when the handle is tilted back.

To detach the wand for above-floor cleaning, stand the vacuum upright, then press the Nozzle Release button on the bottom of the wand and pull the wand up to disconnect it.



OR

To detach the handheld vacuum, press the Wand Release button and lift the handheld vacuum off the wand.

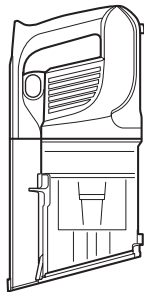


THEN

Attach a cleaning accessory, then choose the power setting.

EMPTYING THE DUST CUP

1. To empty the dust cup, first disconnect the handheld vacuum from the wand by pressing the Wand Release button and pulling up on the handheld vacuum.



Wand Release Button



2. Position the dust cup over a trash bin and slide the CleanTouch™ Dirt Ejector Button forward.



CleanTouch
Dirt Ejector
Button

Please make sure to read the enclosed Shark® Owner's Guide prior to using your vacuum.

Shark® ROCKET®

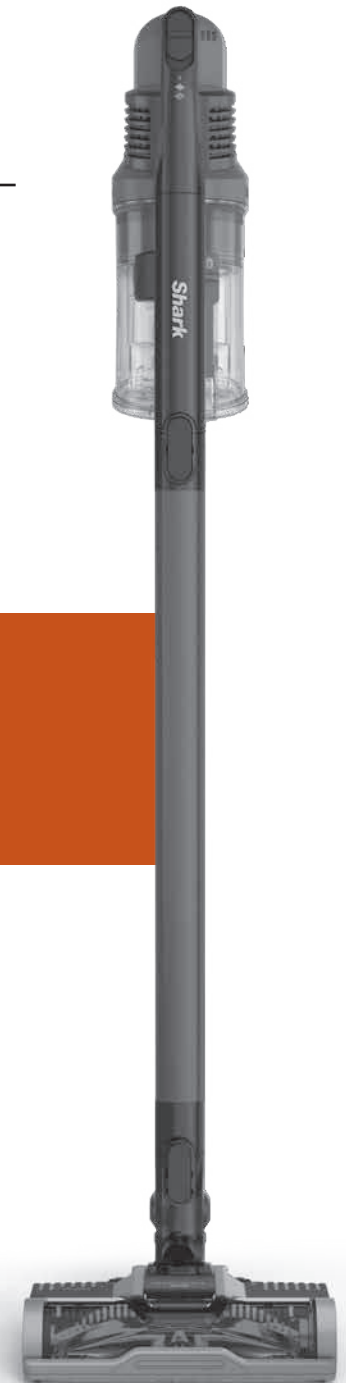
CORDLESS VACUUM

QUICK START GUIDE

Use this Quick Start Guide to start using your new vacuum's great features.

For questions, visit us online at sharkclean.com/support

Register your vacuum at registeryourshark.com



Shark



@sharkcleaning

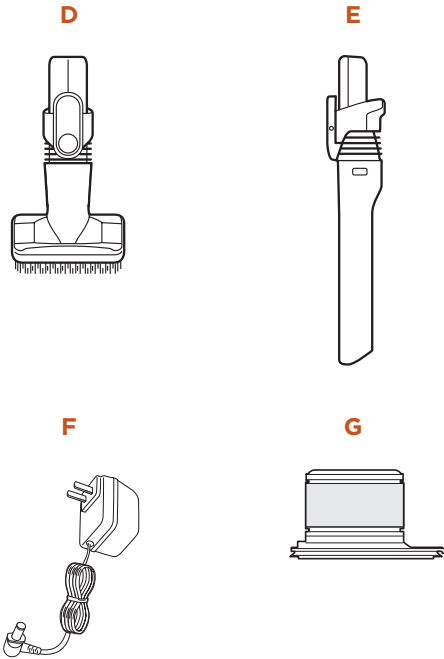
©2019 SharkNinja Operating LLC. SHARK and ROCKET are registered trademarks of SharkNinja. CLEANTOUCH is a trademark of SharkNinja Operating LLC.

IX140_QSG_PP_Mv8

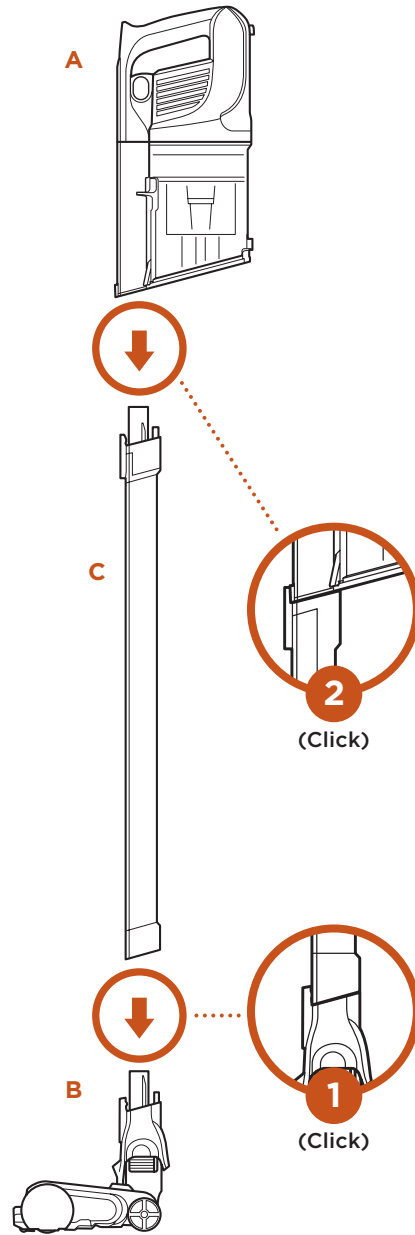
IX140

WHAT'S INSIDE:

- A** Handheld Vacuum
- B** Motorized Floor Nozzle
- C** Wand
- D** Dusting Brush
- E** 8" Crevice Tool
- F** Li-Ion Charger
- G** Post Motor Filter (Pre-Installed)

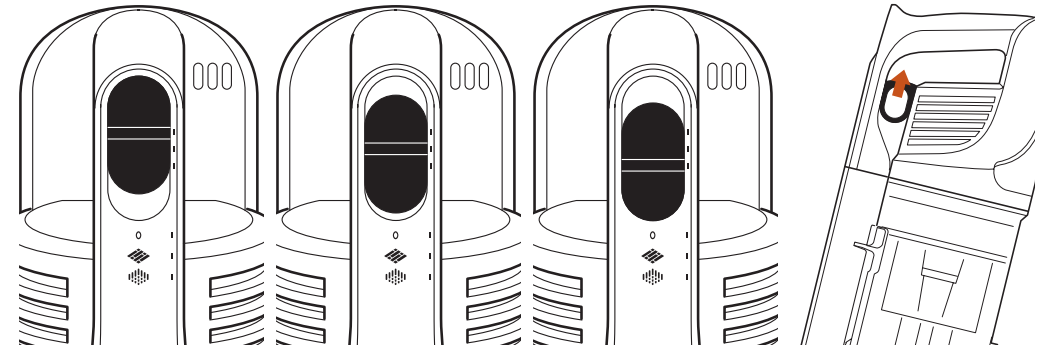


ASSEMBLY



For complete maintenance instructions, see the enclosed Owner's Guide.
 For additional parts and accessories, visit sharkaccessories.com.
 For additional batteries and charging accessories, visit sharkclean.com/batteries.

POWER SETTINGS



OFF

Slide switch to the top to turn off power. To begin vacuuming in **Standard Mode**, slide switch to the appropriate setting.

BARE FLOOR SETTING

Bare Floor/Area Rugs
 The brushroll spins slowly to clean bare floors and low-pile area rugs.

CARPET SETTING

Carpet
 The brushroll spins faster to pick up debris below the surface of your carpets.

BOOST MODE

For an added boost in power, pull the **Trigger** on the handheld vacuum. Release it to return to standard power.

NOTE: For deep cleaning per ASTM F 608 (embedded dirt in carpets) please select the Carpet setting and pull the trigger to go into Boost mode.

NOTE: Select Carpet setting for stuck-on dirt and debris.

LI-ION BATTERY

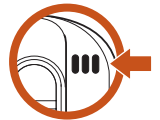
In Use



Charging



NOTE: Full charge takes approximately 3 hours.

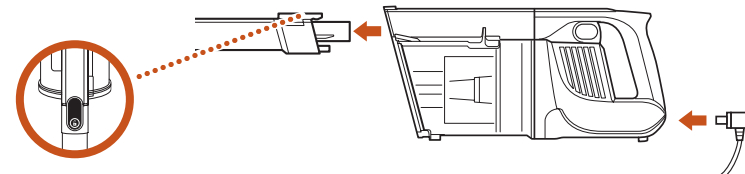


Battery Indicator Lights

NOTE: The battery comes partially charged. Charge fully before first use.

CHARGING

To charge, remove the handheld vacuum from the wand by pressing the Wand Release button and pulling up. Plug the charger into the charging port.



Battery Run Time

MODE	MINUTES
Hand Vac	40
Bare Floor/Standard Mode	25
Carpet Mode	25
Boost Mode (Hand Vac)	10