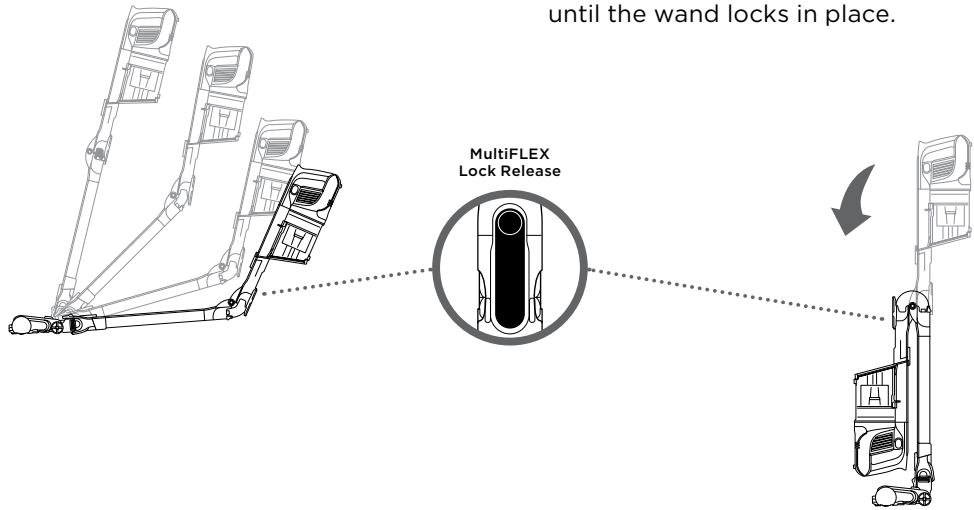


REACH ANYWHERE

Press the MultiFLEX® Lock Release button to lower the angle of the wand to increase your reach.



STORE ANYWHERE

Press the MultiFLEX Lock Release button and fold the handheld vacuum forward. To vacuum, lift up the handheld vacuum, until the wand locks in place.

Please make sure to read the enclosed Shark® Owner's Guide prior to using your vacuum.

duo clean POWERFINS

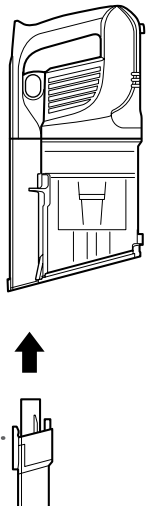
Shark VERTEX™

DuoClean® PowerFins Cordless Vacuum with Self-Cleaning Brushroll

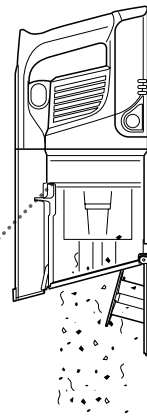


EMPTYING THE DUST CUP

1. To empty dust cup, first disconnect the handheld vacuum from the wand by pressing the Wand Release button and pulling up on the handheld vacuum.



2. Position dust cup over a trash bin and slide the lid release button forward.



QUICK START GUIDE

For questions, visit us online at sharkclean.com/support

Shark



@sharkcleaning

©2020 SharkNinja Operating LLC.
DUOCLEAN, MULTIFLEX, and SHARK are registered trademarks of SharkNinja Operating LLC.
VERTEX is a trademark of SharkNinja Operating LLC.

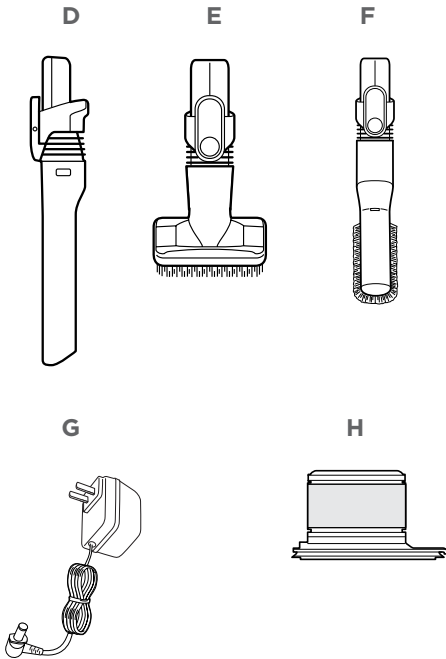
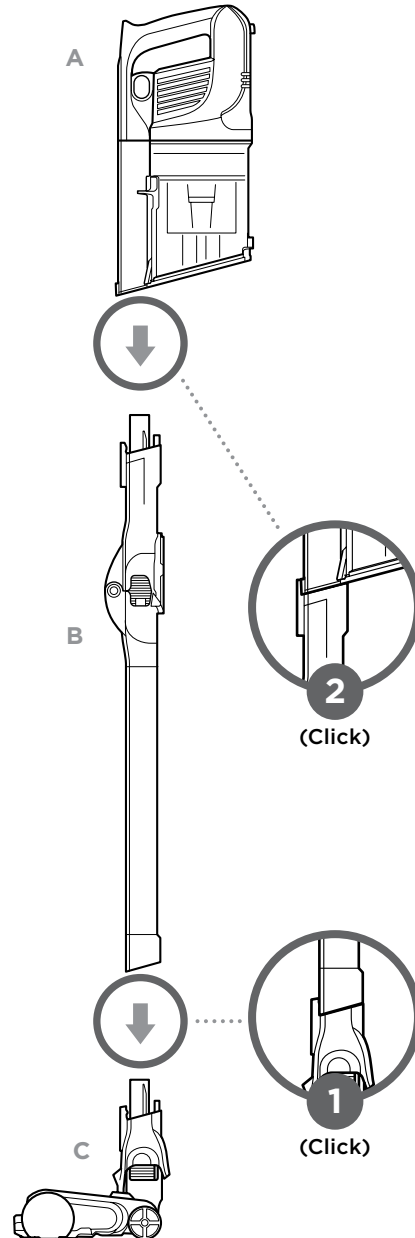
IZ441H_QSG_MP_Mv2

IZ1441H

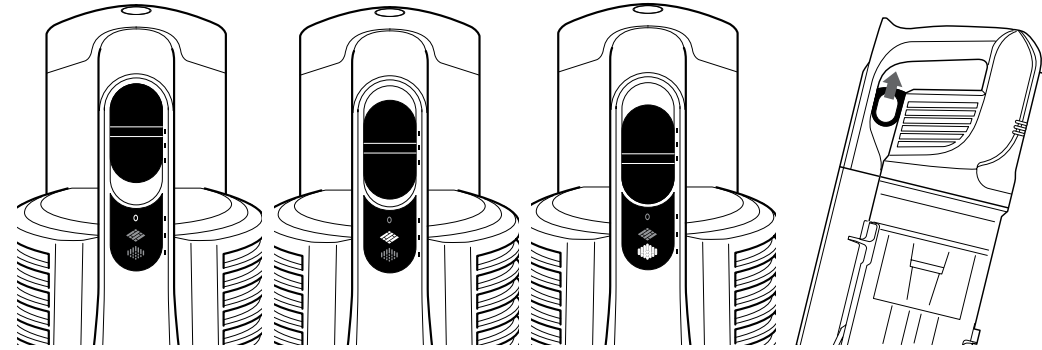
WHAT'S INSIDE:

- A Handheld Vacuum
- B DuoClean® PowerFins Floor Nozzle
- C MultiFLEX® Wand
- D Crevice Tool
- E Dusting Brush
- F Anti-Allergen Brush
- G Charger
- H HEPA Post-Motor Filter (Pre-Installed)

ASSEMBLY



POWER SETTINGS



OFF

Slide switch to the top to turn off power. To begin vacuuming in **Standard Mode**, slide switch to the appropriate setting.

BARE FLOOR SETTING

Bare Floor/Area Rugs
Slide switch to the middle. The brushroll spins slowly to clean bare floors and small area rugs.

CARPET SETTING

Carpet
Slide switch to the bottom. The brushroll spins faster to pick up debris below the surface of your carpets.

BOOST MODE

For an added boost in power, pull the **Trigger** on the handheld vacuum. Release it to return to standard power.

NOTE: For deep cleaning per ASTM F 608 (embedded dirt in carpets) please select the Carpet setting and pull the trigger to go into Boost mode.

NOTE: Select Carpet setting for stuck-on dirt and debris.

LI-ION BATTERY

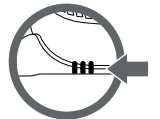
In Use



Charging



NOTE: Full charge takes approximately 3 hours.

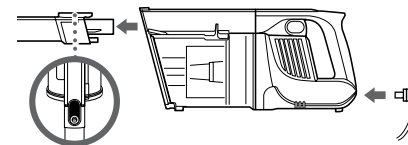


Battery Indicator Lights

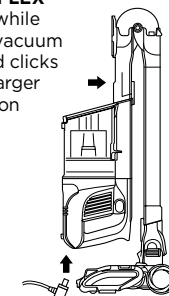
NOTE: The battery comes partially charged. Charge fully before first use.

CHARGING

To charge, remove the handheld vacuum from the wand by pressing the Wand Release button and pulling up. Plug the charger into the charging port.



To put the vacuum in storage mode, press the **MultifLEX Lock Release** button while folding the handheld vacuum forward until the wand clicks and locks. Plug the charger into the charging port on the battery.



Battery Runtime

MODE	MINUTES
Hand Vac	50
Bare Floor/Standard Mode	34
Carpet Mode/Standard Mode	23
Boost Mode (Hand Vac)	10