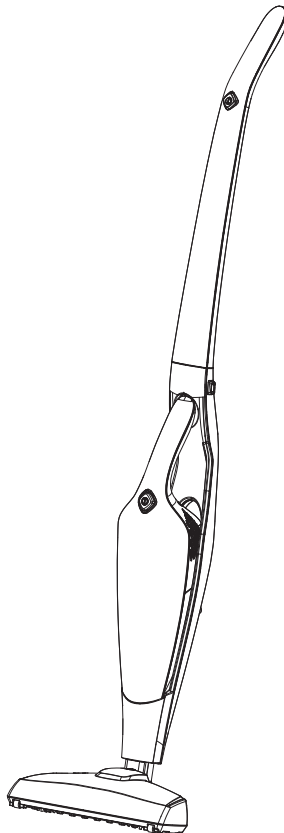


INSIGNIA™

2-in-1 Cordless Stick Vacuum Cleaner

NS-VCS14SL7/NS-VCS14WH7



Before using your new product, please read these instructions to prevent any damage.

NS-VCS14SL7/NS-VCS14WH7 2-in-1 Cordless Stick Vacuum Cleaner

Contents

- Introduction2
- IMPORTANT SAFETY INSTRUCTIONS2
- Features4
 - Package contents4
 - Main components5
- Assembling your vacuum cleaner6
- Charging your vacuum cleaner8
- Using your vacuum cleaner9
 - Using the handheld cleaner10
- Cleaning your vacuum cleaner12
- Troubleshooting13
- ONE-YEAR LIMITED WARRANTY14

Introduction

Congratulations on your purchase of a high-quality Insignia product. Your NS-VCS14SL7/NS-VCS14WH7 represents the state of the art in cordless vacuum cleaner design and is designed for reliable and trouble-free performance.

IMPORTANT SAFETY INSTRUCTIONS

CAUTION

RISK OF ELECTRIC SHOCK

DO NOT OPEN



This symbol indicates that dangerous voltage constituting a risk of electric shock is present within your vacuum cleaner.



This symbol indicates that there are important operating and maintenance instructions in the literature accompanying your vacuum cleaner.

WARNING: When using an electric vacuum cleaner, basic precautions should always be followed, including the following:

READ ALL INSTRUCTIONS BEFORE USING THE VACUUM CLEANER.

- 1 Keep these instructions.
- 2 Follow all instructions.
- 3 Heed all warnings.
- 4 Do not use this appliance near water.
- 5 Clean only with the damp cloth.
- 6 Do not block any ventilation openings. Install in accordance with manufacturer's instruction.

WARNING – To reduce the risk of fire, electric shock, or injury:

- a) Do not use outdoors or on wet surfaces.
- b) Do not allow to be used as a toy. Close attention is necessary when used by or near children.
- c) Use only as described in this manual. Use only manufacturer's recommended attachments.
- d) Do not put any object into openings. Do not use with any opening blocked; keep free of dust, lint, hair, and anything that may reduce air flow.
- e) Keep hair, loose clothing, fingers, and all parts of body away from openings and moving parts.
- f) Use extra care when cleaning on stairs.
- g) Do not use to pick up flammable or combustible liquids, such as gasoline, or use in areas where they may be present.
- h) Do not pick up anything that is burning or smoking, such as cigarettes, matches, or hot ashes.
- i) Do not use without dust bag and/or filters in place.

Additional precautions

- This vacuum cleaner is intended for household use. Do not use for any other purpose.
- Use this vacuum cleaner indoors in a dry location only. Do not use it outdoors.
- Wipe the vacuum cleaner with a soft cloth to clean it. Do not use wax, thinner, or irritating detergents.
- Do not disassemble or attempt to repair the vacuum cleaner yourself.
- Do not plug this vacuum cleaner into an outlet with several other high electrical usage appliances.
- Keep the vacuum cleaner away from heat sources and avoid direct sunlight.

- If the vacuum cleaner is making a loud noise or producing an odor or smoke, switch off it, disconnect the plug, and immediately try to determine the cause.
- Do not place heavy objects on the power cord to avoid it being crushed and causing an electric shock.
- Do not put your fingers or hard objects into the cleaning head.
- Turn the vacuum cleaner off and unplug it if there is water inside the appliance, then contact qualified service personnel for servicing.
- Turn the vacuum cleaner off and unplug it before cleaning, moving, or servicing it.
- To avoid injury, do not allow children or other individuals with special needs to touch or operate the vacuum cleaner. The vacuum cleaner should only be used with adult supervision.
- Do not use the vacuum cleaner near gasoline or other flammable liquids.
- Do not use aerosol sprays or other solvents near the vacuum cleaner. This may cause plastic deformation or possibly damage the electrical components of the vacuum cleaner.

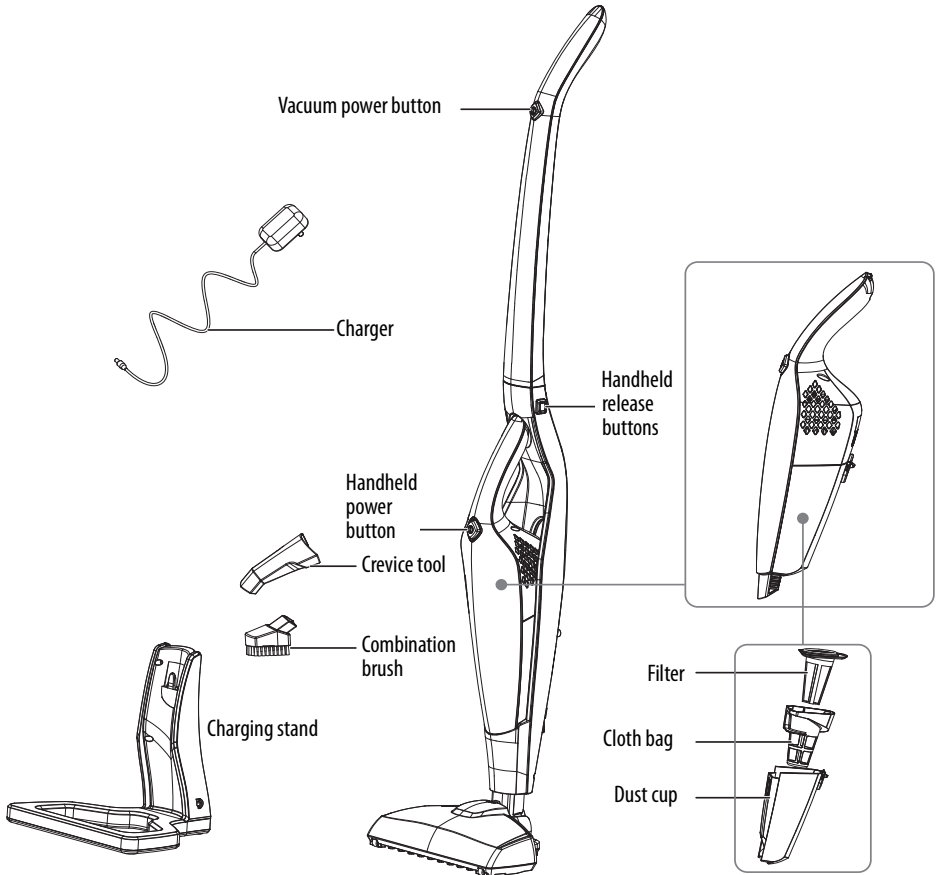
Features

- 2-in1 stick/hand vacuum design
- Rechargeable battery
- Easy-empty dust cup with washable filter
- Cordless for unlimited range
- Lightweight and stylish design

Package contents

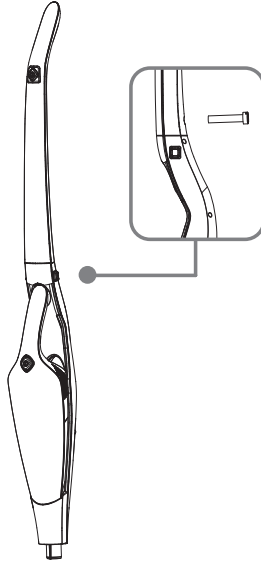
- 2-in1 cordless stick/hand vacuum
- Charger
- Charging stand
- Crevice tool
- Brush
- Screw
- *User Guide*

Main components

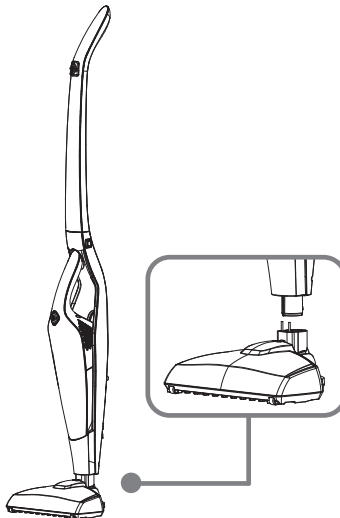


Assembling your vacuum cleaner

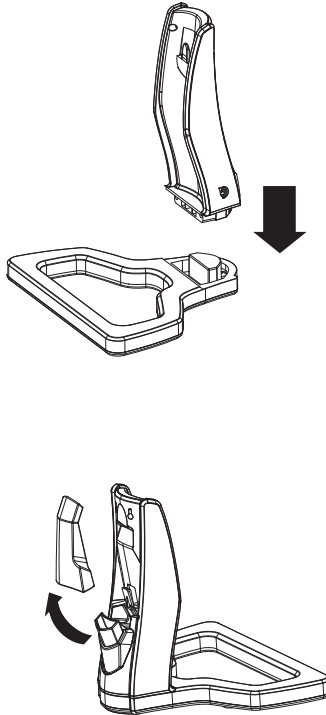
- 1 Insert the handle into the main body of the vacuum cleaner, then tighten the screw (provided) to secure it.



- 2 Insert the handle/main body assembly into the suction head until it clicks into place.



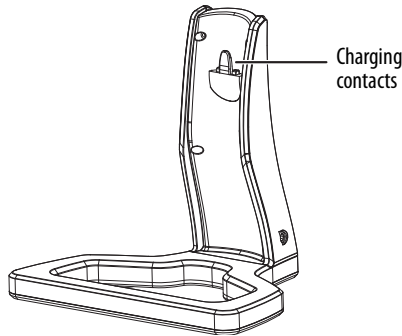
- 3 Connect the charger stand back to the charger stand seat, then insert the crevice tool and brush into the charger stand for storage.



- 4 Place the vacuum cleaner into the charger stand until you are ready to use it.

Charging your vacuum cleaner

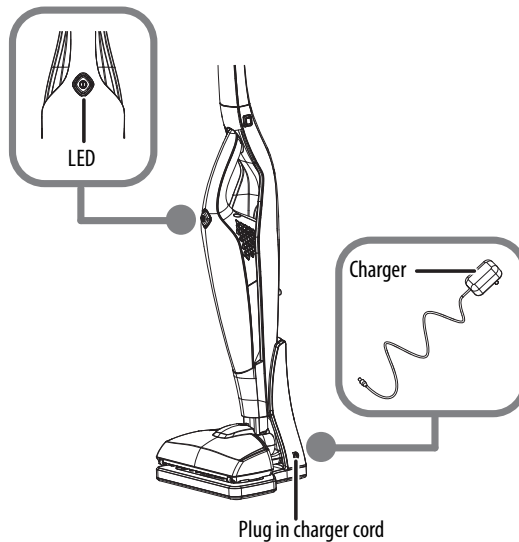
- 1 Make sure that your vacuum cleaner is turned off, then place the it into the charger stand, making sure the contacts on the stand touch the contacts on the vacuum.



- 2 Plug the charger into a wall outlet and into the charger stand. The LED blinks (every two seconds) to indicate that the vacuum cleaner is charging.

Caution

- You must only use the charger that came with your vacuum cleaner.
- Make sure that the AC voltage is the same as shown on the charger.



- 3 When the LED stops blinking and turns on continuously, your vacuum cleaner is charged and ready to use.

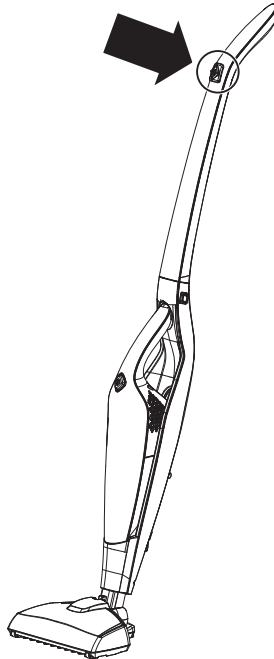
Notes

- It is normal for the charger to become warm when charging your vacuum cleaner.
- If the LED begins blinking twice every second there is a malfunction in the charging circuit. If this happens, unplug the charger and send the vacuum in for service.

You can leave your vacuum cleaner connected to the charger without hurting the battery.

Using your vacuum cleaner

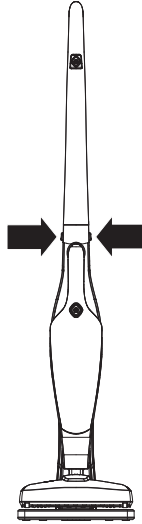
- 1 Lift the vacuum cleaner off of the charging stand.
- 2 Step on the suction head and tilt the handle back to a comfortable position.
- 3 Press the **ON/OFF** button to turn on the vacuum cleaner, then begin vacuuming.



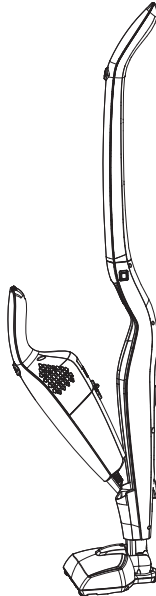
- 4 After using your vacuum cleaner, replace it in the charging stand to make sure that it is sufficiently charged the next time you want to use it.

Using the handheld cleaner

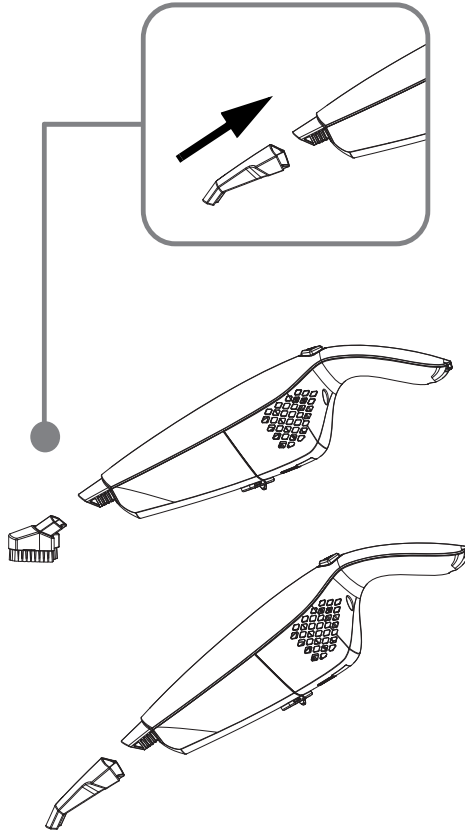
- 1 Press the release buttons on both sides of the handle to release the handheld cleaner.



- 2 Grasp the hand grip of the handheld cleaner and pull it away from the vacuum cleaner.



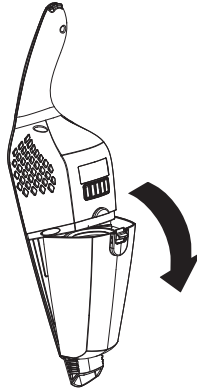
- 3 Insert the crevice tool or brush into the suction head.



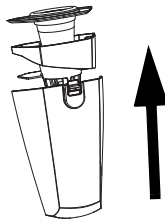
- 4 Press the **ON/OFF** button to turn on the handheld cleaner, then begin vacuuming.
- 5 When you are finished with the handheld cleaner, reattach it to the vacuum cleaner, making sure it snaps into place.

Cleaning your vacuum cleaner

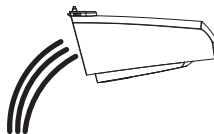
- 1 Remove the handheld cleaner as described in “Using the handheld cleaner” on page 10.
- 2 Push the button on the top of the handheld cleaner, then separate the motor from the suction head.



- 3 Remove the dirt cup, cloth bag, and filter from the suction head.



- 4 Dump the dust from the dirt cup and clean the cloth bag and filter, then rinse the dirt cup, cloth bag and filter in water to clean them.



- 5 Reattach the cloth bag, filter, and dirt cup into the suction head.
- 6 Reattach the handheld cleaner into the vacuum cleaner.

Troubleshooting

Caution

Do not try to repair your vacuum cleaner yourself. Doing so invalidates the warranty.

Problem	Possible cause	Possible solution
Your vacuum cleaner does not work	The vacuum cleaner is not charged.	Make sure that the vacuum cleaner is charged.
Your vacuum cleaner has no suction power	Clogged dust bag or filter.	Clean and wash the dust bag and filter.
	The dust cup is full.	Empty the dust cup.
	The dust cup is installed incorrectly.	Remove the dust cup and reinstall it correctly.
The rolling brush does not work	It may be jammed with a foreign object, cloth, or string.	Remove the foreign object, cloth, or string from the brush.

Specifications

Dimensions	10.1 x 9.0 x 44.9 in. (256 x 220 x 1140 mm)
Weight	5.3 lbs. (2.4 kg)
Electrical requirements	9.6 VDC
Power draw	50 Watts

ONE-YEAR LIMITED WARRANTY

Definitions:

The Distributor* of Insignia branded products warrants to you, the original purchaser of this new Insignia-branded product ("Product"), that the Product shall be free of defects in the original manufacturer of the material or workmanship for a period of one (1) year from the date of your purchase of the Product ("Warranty Period").

For this warranty to apply, your Product must be purchased in the United States or Canada from a Best Buy branded retail store or online at www.bestbuy.com or www.bestbuy.ca and is packaged with this warranty statement.

How long does the coverage last?

The Warranty Period lasts for 1 year (365 days) from the date you purchased the Product. Your purchase date is printed on the receipt you received with the Product.

What does this warranty cover?

During the Warranty Period, if the original manufacture of the material or workmanship of the Product is determined to be defective by an authorized Insignia repair center or store personnel, Insignia will (at its sole option): (1) repair the Product with new or rebuilt parts; or (2) replace the Product at no charge with new or rebuilt comparable products or parts. Products and parts replaced under this warranty become the property of Insignia and are not returned to you. If service of Products or parts are required after the Warranty Period expires, you must pay all labor and parts charges. This warranty lasts as long as you own your Insignia Product during the Warranty Period. Warranty coverage terminates if you sell or otherwise transfer the Product.

How to obtain warranty service?

If you purchased the Product at a Best Buy retail store location, please take your original receipt and the Product to any Best Buy store. Make sure that you place the Product in its original packaging or packaging that provides the same amount of protection as the original packaging. If you purchased the Product from a Best Buy online web site (www.bestbuy.com or www.bestbuy.ca), mail your original receipt and the Product to the address listed on the web site. Make sure that you put the Product in its original packaging or packaging that provides the same amount of protection as the original packaging.

To obtain warranty service, in the United States call 1-888-BESTBUY, Canada call 1-866-BESTBUY. Call agents may diagnose and correct the issue over the phone.

Where is the warranty valid?

This warranty is valid only in the United States and Canada at Best Buy branded retail stores or websites to the original purchaser of the product in the county where the original purchase was made.

What does the warranty not cover?

This warranty does not cover:

- Customer instruction/education
- Installation
- Set up adjustments
- Cosmetic damage
- Damage due to weather, lightning, and other acts of God, such as power surges
- Accidental damage
- Misuse
- Abuse
- Negligence
- Commercial purposes/use, including but not limited to use in a place of business or in communal areas of a multiple dwelling condominium or apartment complex, or otherwise used in a place of other than a private home.

- Modification of any part of the Product, including the antenna
- Display panel damaged by static (non-moving) images applied for lengthy periods (burn-in).
- Damage due to incorrect operation or maintenance
- Connection to an incorrect voltage or power supply
- Attempted repair by any person not authorized by Insignia to service the Product
- Products sold “as is” or “with all faults”
- Consumables, including but not limited to batteries (i.e. AA, AAA, C etc.)
- Products where the factory applied serial number has been altered or removed
- Loss or Theft of this product or any part of the product
- Display panels containing up to three (3) pixel failures (dots that are dark or incorrectly illuminated) grouped in an area smaller than one tenth (1/10) of the display size or up to five (5) pixel failures throughout the display. (Pixel based displays may contain a limited number of pixels that may not function normally.)
- Failures or Damage caused by any contact including but not limited to liquids, gels or pastes.

REPAIR REPLACEMENT AS PROVIDED UNDER THIS WARRANTY IS YOUR EXCLUSIVE REMEDY FOR BREACH OF WARRANTY. INSIGNIA SHALL NOT BE LIABLE FOR ANY INCIDENTAL OR CONSEQUENTIAL DAMAGES FOR THE BREACH OF ANY EXPRESS OR IMPLIED WARRANTY ON THIS PRODUCT, INCLUDING, BUT NOT LIMITED TO, LOST DATA, LOSS OF USE OF YOUR PRODUCT, LOST BUSINESS OR LOST PROFITS. INSIGNIA PRODUCTS MAKES NO OTHER EXPRESS WARRANTIES WITH RESPECT TO THE PRODUCT, ALL EXPRESS AND IMPLIED WARRANTIES FOR THE PRODUCT, INCLUDING, BUT NOT LIMITED TO, ANY IMPLIED WARRANTIES OF AND CONDITIONS OF MERCHANTABILITY AND FITNESS FOR A PARTICULAR PURPOSE, ARE LIMITED IN DURATION TO THE WARRANTY PERIOD SET FORTH ABOVE AND NO WARRANTIES, WHETHER EXPRESS OR IMPLIED, WILL APPLY AFTER THE WARRANTY PERIOD. SOME STATES, PROVINCES AND JURISDICTIONS DO NOT ALLOW LIMITATIONS ON HOW LONG AN IMPLIED WARRANTY LASTS, SO THE ABOVE LIMITATION MAY NOT APPLY TO YOU. THIS WARRANTY GIVES YOU SPECIFIC LEGAL RIGHTS, AND YOU MAY ALSO HAVE OTHER RIGHTS, WHICH VARY FROM STATE TO STATE OR PROVINCE TO PROVINCE.

Contact Insignia:

For customer service please call 1-877-467-4289

www.insigniaproducts.com

INSIGNIA is a trademark of Best Buy and its affiliated companies.

Distributed by Best Buy Purchasing, LLC

©2016 Best Buy. All rights reserved.

Made in China

INSIGNIA™

www.insigniaproducts.com

1-877-467-4289 (U.S. and Canada) or 01-800-926-3000 (Mexico)

INSIGNIA is a trademark of Best Buy and its affiliated companies.

Distributed by Best Buy Purchasing, LLC

©2016 Best Buy. All rights reserved.

Made in China.

V1 ENGLISH
16-0042