

Shark MATRIX™

QUICK START GUIDE

2300S/2300AE Series

Robot Setup:

1 Set up Self-Empty Base

- Remove any plastic wrap and foam from the robot and base.
- Place base in a location with a strong Wi-Fi signal.
- Dock LED will turn green when powered ON
- **Note:** Check between the bumper and wheels to ensure all protective materials are removed prior to robot use.

2 Attach Side Brush

- **Note:** Side brush design may vary.

3 Place Robot on Self-Empty Base

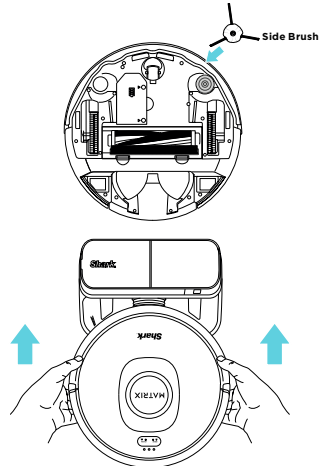
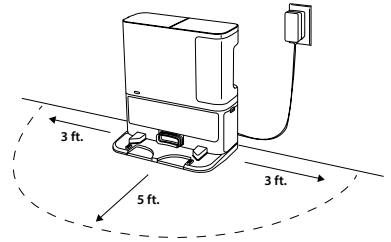
- Robot will turn on when properly placed on the dock.
- Dock LED will turn blue when the robot is charging.

4 Scan QR code to download the SharkClean® app to complete robot setup.



App Features

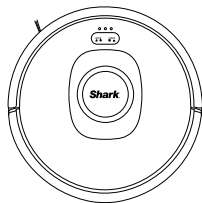
- ✓ Mapping
- ✓ Scheduling
- ✓ No-Go Zones



Turn Page 

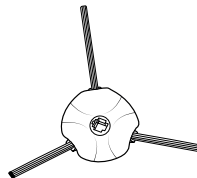
What's Included:

Robot



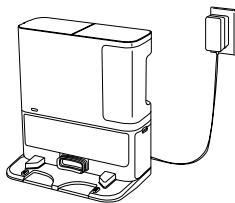
Shark Matrix™ robot

Side Brush



Moves debris into robot's path.

Self-Empty Base



Holds dirt and debris.
Capacity ranges based on model.

Two Easy Steps If You're Stuck:

1. Visit: sharkclean.com/support
 - Owner's Guide
 - Troubleshooting
 - How-To Videos
 - FAQs
 - Tips & Tricks
2. For additional help, please scan the QR code to visit the digital Owner's Guide or call **1-888-228-5531** for robot support

Maximize Your Robot Experience:

- Tips and tricks for getting the most out of your robot.**
- To manually turn ON/OFF your robot, hold down the **DOCK** button for 5-7 seconds.
 - Clear the area of cords and wires before each clean.
 - Always place your robot on a level surface when performing maintenance.
 - Clean brushroll and filter regularly.

