

# ***Shark***<sup>®</sup>

## **Rotator<sup>®</sup> Powered Lift-Away<sup>®</sup> Upright Vacuum**

NV650/750 Series

**OWNER'S GUIDE**

---



# IMPORTANT SAFETY INSTRUCTIONS

FOR HOUSEHOLD USE ONLY • PLEASE READ CAREFULLY BEFORE USE

If the plug does not fit fully into the outlet, reverse the plug. If it still does not fit, contact a qualified electrician. DO NOT force into outlet or try to modify to fit.

## **⚠ WARNING**

To reduce the risk of fire, electric shock, injury, or property damage:

### GENERAL WARNINGS

1. Your vacuum cleaner may consist of a motorized nozzle, wand, hose, and/or vacuum pod. This device contains electrical connections, electrical wiring, and moving parts that potentially present risk to the user.
2. Use only identical replacement parts.
3. Carefully observe and follow the instructions provided below to avoid improper use of the appliance. **DO NOT** use the vacuum for any purpose other than those described in this manual.
4. Before use, carefully inspect all parts for any damage. **DO NOT** use if any parts are damaged.
5. The use of an extension cord is **NOT** recommended.
6. This vacuum cleaner contains no serviceable parts.

### USE WARNINGS

7. **DO NOT** allow the appliance to be used by children. Close supervision is necessary when used near children. This is not a toy.
8. Always turn off the vacuum cleaner before connecting or disconnecting any motorized nozzles or other accessories.
9. **DO NOT** handle plug or vacuum cleaner with wet hands.
10. **DO NOT** use without filters in place.

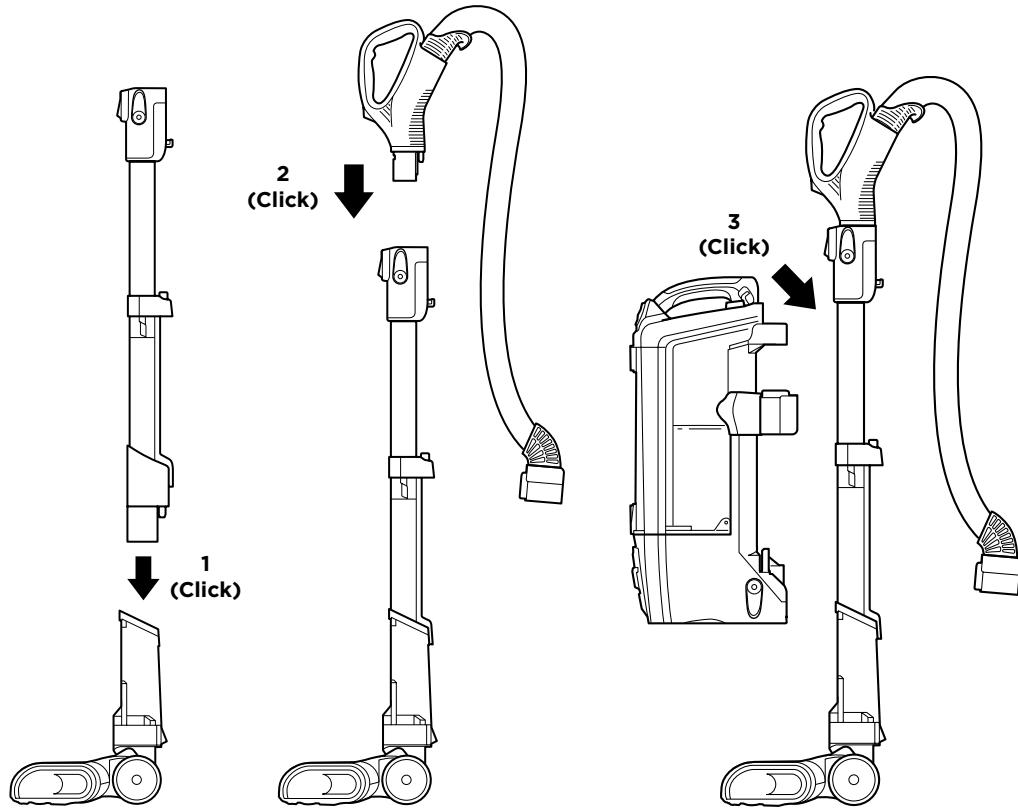
11. Only use Shark® branded filters and accessories. Failure to do so will also void the warranty.
12. **DO NOT** damage the power cord:
  - a) **DO NOT** pull or carry vacuum cleaner by the cord or use the cord as a handle.
  - b) **DO NOT** unplug by pulling on cord. Grasp the plug, not the cord.
  - c) **DO NOT** run the vacuum cleaner over the power cord, close a door on the cord, pull the cord around sharp corners, or leave the cord near heated surfaces.
13. **DO NOT** put any objects into nozzle or accessory openings. **DO NOT** use with any opening blocked; keep free of dust, lint, hair, and anything that may reduce airflow.
14. **DO NOT** use if nozzle or accessory airflow is restricted. If the air paths or the motorized floor nozzle become blocked, turn the vacuum cleaner off and unplug from electrical outlet. Remove all obstructions before you plug in and turn on the unit again.
15. Keep nozzle and all vacuum openings away from hair, face, fingers, uncovered feet, or loose clothing.
16. **DO NOT** use if vacuum cleaner is not working as it should, or has been dropped, damaged, left outdoors, or dropped into water.

17. Use extra care when cleaning on stairs.
18. **DO NOT** leave the vacuum cleaner unattended while plugged in.
19. When powered on, keep the vacuum cleaner moving over the carpet surface at all times to avoid damaging the carpet fibers.
20. **DO NOT** place vacuum cleaner on unstable surfaces such as chairs or tables.
21. Your Shark® vacuum may not be designed to stand up on its own. When taking a break from cleaning, you may need to lean it against furniture or a wall, or lay it flat on the floor. Using the vacuum for an application where the unit lacks stability may result in personal injury.
22. **DO NOT** use to pick up:
  - a) Liquids
  - b) Large objects
  - c) Hard or sharp objects (glass, nails, screws, or coins)
  - d) Large quantities of dust (drywall dust, fireplace ash, or embers). **DO NOT** use as an attachment to power tools for dust collection.
  - e) Smoking or burning objects (hot coals, cigarette butts, or matches)
  - f) Flammable or combustible materials (lighter fluid, gasoline, or kerosene)
  - g) Toxic materials (chlorine bleach, ammonia, or drain cleaner)
23. **DO NOT** use in the following areas:
  - a) Poorly lit areas
  - b) Wet or damp surfaces
  - c) Outdoor areas
  - d) Spaces that are enclosed and may contain explosive or toxic fumes or vapors (lighter fluid, gasoline, kerosene, paint, paint thinners, mothproofing substances, or flammable dust)
24. Turn off all controls before plugging in or unplugging the vacuum.
25. Unplug from electrical outlet when not in use and before any maintenance or cleaning.
26. Hand wash with water only. Washing with cleaning chemicals could damage the unit.
27. During cleaning or routine maintenance, **DO NOT** cut anything other than hair, fibers, or string wrapped around the brushroll.
28. Allow all filters to air-dry completely before replacing in the vacuum to prevent liquid from being drawn into electric parts.
29. Make sure the dust cup and all filters are in place after routine maintenance.
30. If provided, secure the power cord around the two cord hooks during storage.

To reduce the risk of electric shock, this appliance has a polarized plug (one blade is wider than the other). This plug will fit in a polarized outlet only one way. If the plug does not fit fully in the outlet, reverse the plug. If it still does not fit, contact a qualified electrician to install the proper outlet. Do not change the plug in any way.

## SAVE THESE INSTRUCTIONS

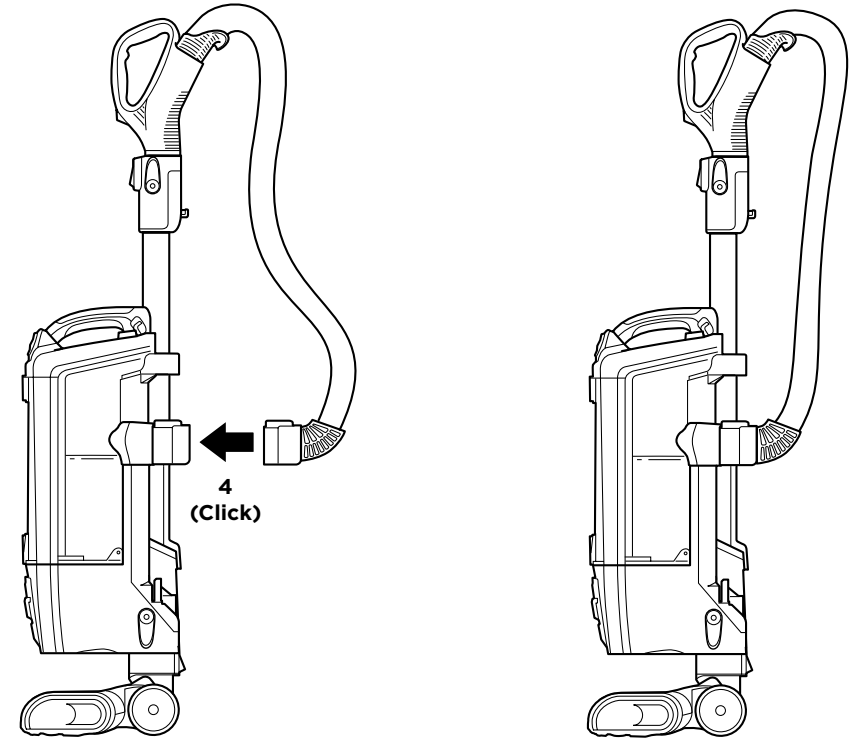
ASSEMBLY



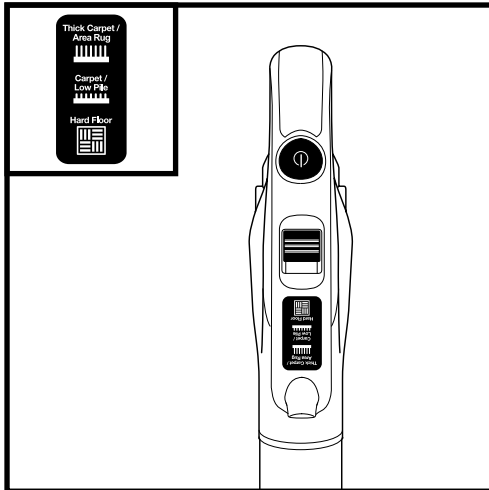
1. Insert **Wand** into **Floor Nozzle**.
2. Insert **Handle** into wand.
3. Place **Pod** onto wand and slide down to connect.
4. Connect **Hose** into back of pod, until it clicks into place.

For proper operation, ensure all parts are firmly clicked into place.

ASSEMBLY



SETTINGS



Choose the appropriate setting.

**Thick Carpet/Area Rug Cleaning**

Set floor selector to Carpet.

**Carpet/Low Pile Cleaning**

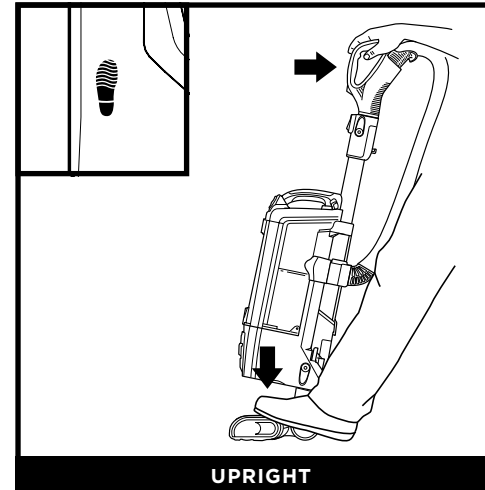
Set floor selector to Carpet/Low Pile.

**Hard Floor Cleaning**

Set floor selector to Hard Floor.

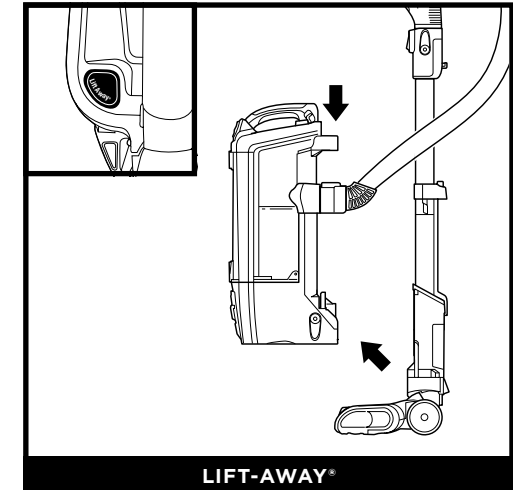
**NOTE:** For deep cleaning per ASTM F 608 (embedded dirt in carpets) please set to Carpet/Low Pile.

CLEANING MODES



UPRIGHT

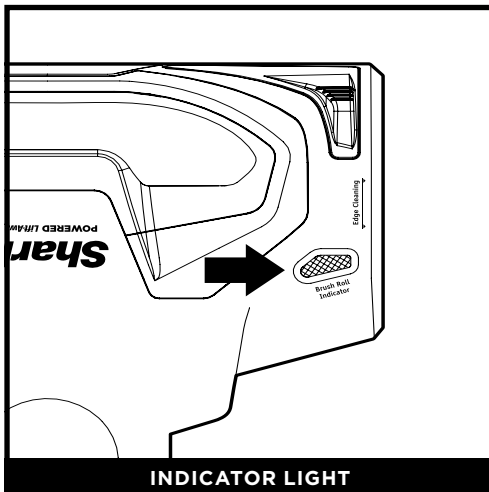
To engage brushroll, turn power on, select a surface setting, then place foot on floor nozzle and tilt handle back.



LIFT-AWAY\*

Press Lift-Away button to lift pod off motorized floor nozzle. You are now ready to clean those hard-to-reach places. Attach cleaning tools directly to the handle or to the wand for extended reach.

BRUSHROLL INDICATOR LIGHT



INDICATOR LIGHT

**WHAT DOES THE BRUSHROLL INDICATOR LIGHT MEAN?**

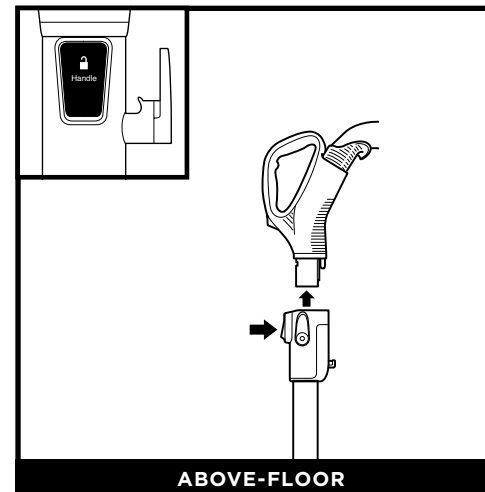
**Solid Green:** The brushroll is spinning and working as it should.

**Solid Red:** There is a jam in the brushroll area. Turn your vacuum off and remove any blockages.

**Flashing Red\*:** The motorized floor nozzle is overheating. Turn your vacuum off and wait for it to cool down.

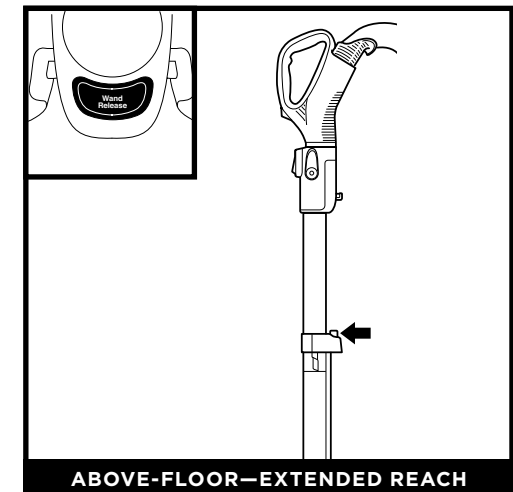
**No Light:** The brushroll is off because the vacuum is in Hard Floor mode.

\*See Troubleshooting section for further instructions.



ABOVE-FLOOR

Press the **Handle** button to detach the handle to clean above-floor areas or with attachments. Insert cleaning tools directly into wand or handle.



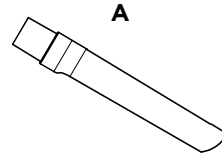
ABOVE-FLOOR—EXTENDED REACH

Press the **Wand Release** button to detach the wand to clean with more reach. Insert cleaning tools directly into wand or handle.

## AVAILABLE ACCESSORIES

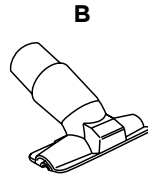
### A 11" Crevice Tool

This slim tool is great for cleaning in tight spaces, between couch cushions, and in hard-to-reach areas.



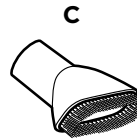
### B Upholstery Tool

Perfect for large-particle pickup, dusting, and removing stubborn pet hair and lint from furniture and other upholstered surfaces.



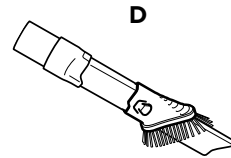
### C Dusting Brush

This brush dusts and cleans delicate surfaces. Great for use on fans, blinds, lampshades, and keyboards.



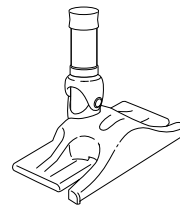
### D Duster Crevice Tool

Two cleaning tools in one: the crevice tool gives you extended reach to clean in tight spaces, while the soft brush lets you dust delicate surfaces.



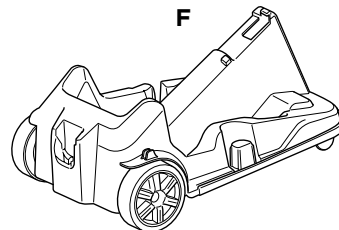
### E Dust-Away™ Hard Floor Attachment

Durable enough for cleaning big crumbs and debris but gentle enough for delicate dusting on hardwood and tile floors.



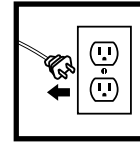
### F Canister Caddy

Transforms your Rotator® into a canister vacuum, giving you the freedom to roll the pod along while keeping cleaning tools close by.

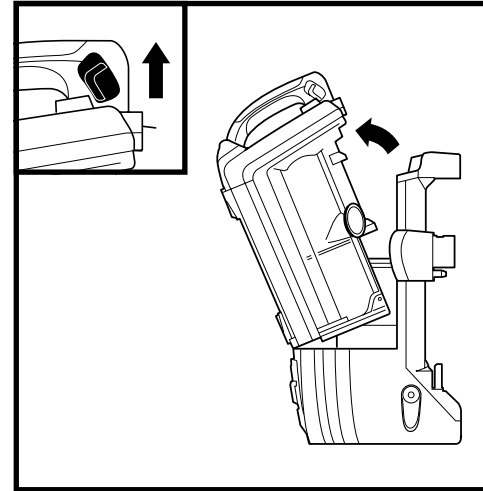


**NOTE:** Not all accessories come with all units. Please see the enclosed Quick Start Guide for your unit's configuration. To order additional accessories, visit [sharkaccessories.com](http://sharkaccessories.com).

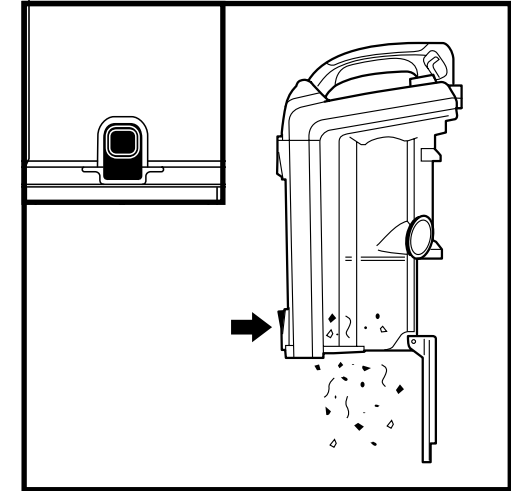
## EMPTYING THE DUST CUP



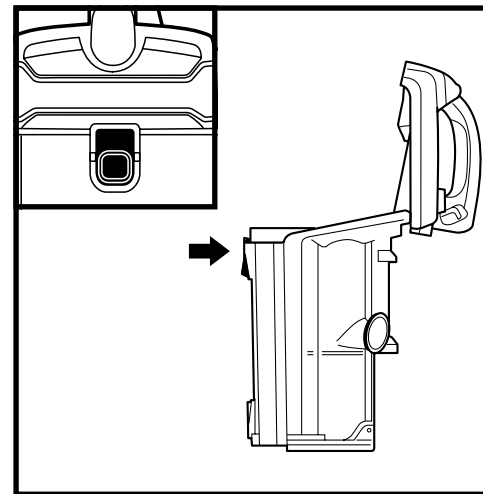
**IMPORTANT:** Unplug the power cord before performing any maintenance.



Pull up on **Dust Cup**, release latch and lift dust cup off pod



Hold dust cup over a trash bin and press the empty-release latch on the bottom to empty dust and debris into trash.



Press top dust cup release latch to access dust screen and remove built-up debris as necessary.

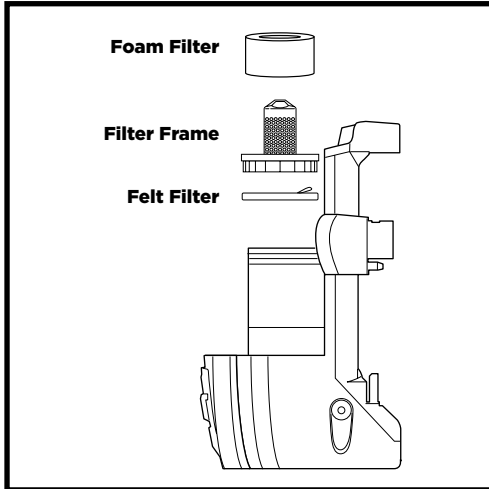
## CLEANING AND REPLACING THE FILTERS

### CLEANING FILTERS

Regularly clean and replace your filters to keep your vacuum's suction power optimal.

To clean filters, rinse with cold water **ONLY** to prevent damage from cleaning chemicals. Allow all filters to air-dry for at least 24 hours before reinstalling them to prevent liquid from being drawn into electric parts.

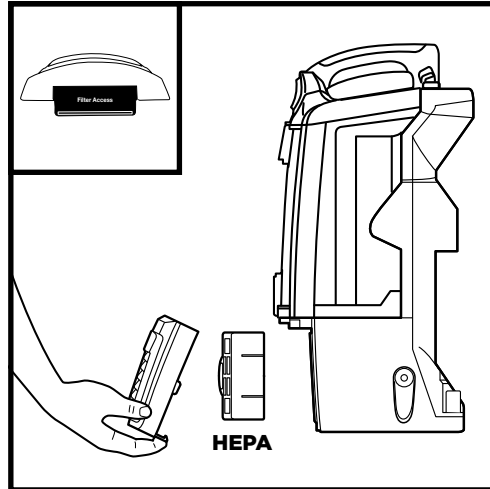
**IMPORTANT: DO NOT** use soap when cleaning the filters.



#### Pre-Motor (foam and felt):

With the dust cup removed, take out and rinse the foam and felt filters with water. Tap loose dirt off filters between washes as needed.

**CLEAN PRE-MOTOR FILTERS EVERY 3 MONTHS.**



#### Post-Motor (HEPA):

To access the **HEPA Filter**, pull the latch under the filter cover and take off the cover. Take out the HEPA filter and rinse it.

**CLEAN HEPA FILTER EVERY YEAR.**

### REPLACING FILTERS

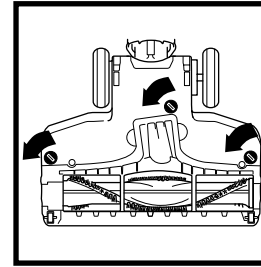
Follow the previous instructions for removing filters. The pre-motor filters should be replaced every 2.5 years. The post-motor HEPA filter should be replaced every 3 years.

**Replacement Pre-Motor Foam & Felt Filter Kit**  
XFF650

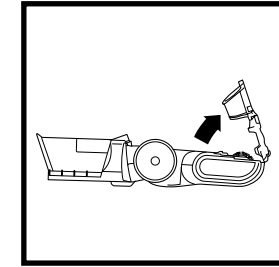
**Replacement HEPA Filter**  
XHF650

**NOTE:** To order replacement parts and filters, visit [sharkaccessories.com](http://sharkaccessories.com).

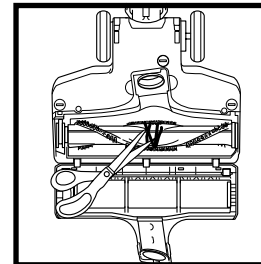
## CHECKING FOR BLOCKAGES & MAINTAINING BRUSHROLL



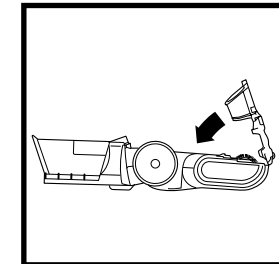
Use the edge of a coin to open the 3 locks on the bottom of the floor nozzle.



Lift up the lid on the bottom of the nozzle to access the brushroll. Use a flashlight to check for blockages.



With scissors, carefully cut along the groove in the brushroll to remove any debris, hair, or fibers.



To reinstall the lid, line it up along the front of the nozzle and press it closed. Use the coin to close the 3 locks.

## TROUBLESHOOTING

PROBLEM	POSSIBLE REASONS & SOLUTIONS
<b>Vacuum is not picking up dirt. No suction or light suction.</b>	<p>Check filters to see if they need cleaning. Follow instructions for rinsing and drying the filters before reinstalling.</p> <p>Dust cup may be full; empty dust cup.</p> <p>Check hoses, hose connections, nozzle, and accessories for blockages; clear blockages if required.</p> <p>Remove any string, carpet fibers, or hair that may be wrapped around the brushroll.</p>
<b>Vacuum lifts area rugs.</b>	<p>Turn off unit to disengage the brushroll. Move switch to Hard Floor setting for suction-only cleaning, and turn unit back on.</p> <p>Suction is powerful. Take care when vacuuming area rugs or rugs with delicately sewn edges.</p>
<b>Brushroll does not spin.</b>	<p>If Brushroll Indicator Light on the motorized floor nozzle turns red, the brushroll has stopped spinning. Immediately turn off and unplug vacuum, disconnect the nozzle, and remove any blockages before reconnecting and turning vacuum back on.</p> <p>With the power on, recline the handle, which will automatically turn on the brushroll.</p> <p>Make sure the carpet height selector is <b>NOT</b> set to Hard Floor.</p>
<b>Vacuum turns off on its own, or indicator light flashes red.</b>	<p>This vacuum is equipped with a motor-protective thermostat. If your vacuum overheats, the thermostat will automatically turn the suction motor off. Perform the following steps to restart the thermostat:</p> <ol style="list-style-type: none"> <li>1. Turn vacuum off and unplug it.</li> <li>2. Empty dust cup and clean filters.</li> <li>3. Check for blockages in hoses, accessories, and inlet openings.</li> <li>4. Allow unit to cool for a minimum of 45 minutes.</li> <li>5. Plug in vacuum and turn it on.</li> </ol> <p>If hose is not fully connected to the pod, it can cause a poor electrical connection and the hose can come loose, turning the vacuum off.</p> <ol style="list-style-type: none"> <li>1. Turn vacuum off and unplug it.</li> <li>2. Empty dust cup and clean filters.</li> <li>3. Check for blockages in hose, accessories, and inlet openings.</li> <li>4. Remove cord from cord hook so hose latch can be seen and engaged.</li> <li>5. Make sure all parts are securely clicked into place at all connection points:             <ol style="list-style-type: none"> <li>a. Where hose meets back of pod (pull on hose to ensure latch is fully engaged)</li> <li>b. Where wand plugs into floor nozzle</li> <li>c. Where handle plugs into wand</li> </ol> </li> <li>6. Plug in vacuum and turn it on.</li> </ol> <p><b>Note:</b> If vacuum still does not start, contact Customer Service at: <b>1-800-798-7398</b>.</p>

# Shark NINJA

## FIVE (5) YEAR LIMITED WARRANTY

The Five (5) Year Limited Warranty applies to purchases made from authorized retailers of **SharkNinja Operating LLC**. Warranty coverage applies to the original owner and to the original product only and is not transferable.

SharkNinja warrants that the unit shall be free from defects in material and workmanship for a period of five (5) years from the date of purchase when it is used under normal household conditions and maintained according to the requirements outlined in the Owner's Guide, subject to the following conditions and exclusions:

### What is covered by this warranty?

1. The original unit and/or non-wearable components deemed defective, in SharkNinja's sole discretion, will be repaired or replaced up to five (5) years from the original purchase date.
2. In the event a replacement unit is issued, the warranty coverage ends six (6) months following the receipt date of the replacement unit or the remainder of the existing warranty, whichever is later. SharkNinja reserves the right to replace the unit with one of equal or greater value.

### What is not covered by this warranty?

1. Normal wear and tear of wearable parts (such as blending vessels, lids, cups, blades, removable pots, racks, pans, and blender bases, etc.), which require regular maintenance and/or replacement to ensure the proper functioning of your unit, are not covered by this warranty. Replacement parts are available for purchase at [ninjaaccessories.com](http://ninjaaccessories.com).
2. Any unit that has been tampered with or used for commercial purposes
3. Damage caused by misuse, abuse, negligent handling, failure to perform required maintenance (e.g., failure to keep the well of the motor base clear of food spills and other debris), or damage due to mishandling in transit.
4. Consequential and incidental damages.
5. Defects caused by repair persons not authorized by SharkNinja. These defects include damages caused in the process of shipping, altering, or repairing the SharkNinja product (or any of its parts) when the repair is performed by a repair person not authorized by SharkNinja.
6. Products purchased, used, or operated outside North America.

### How to get service

If your appliance fails to operate properly while in use under normal household conditions within the warranty period, visit [ninjakitchen.com](http://ninjakitchen.com) for product care and maintenance self-help. Our Customer Service Specialists are also available at **1-877-646-5288** to assist with product support and warranty service options, including the possibility of upgrading to our VIP warranty service options for select product categories.

SharkNinja will cover the cost for the customer to send in the unit to us for repair or replacement. A fee of \$19.95 (subject to change) will be charged when SharkNinja ships the repaired or replacement unit.


### How to initiate a warranty claim


You must call **1-877-646-5288** to initiate a warranty claim. You will need the receipt as proof of purchase. A Customer Service Specialist will provide you with return and packing instruction information.

### How state law applies

This warranty gives you specific legal rights, and you also may have other rights that vary from state to state. Some states do not permit the exclusion or limitation of incidental or consequential damages, so the above may not apply to you.

**REGISTER YOUR PURCHASE**

 registeryourshark.com

 Scan QR code using mobile device



Benefits of registering your product and creating an account:

- Get easier, faster product support and access to warranty information
- Access troubleshooting and product care instructions
- Be among the first to know about exclusive product promotions

**RECORD THIS INFORMATION**

Model Number: \_\_\_\_\_

Serial Number: \_\_\_\_\_

Date of Purchase: \_\_\_\_\_  
(Keep receipt)

Store of Purchase: \_\_\_\_\_

**TIP:** You can find the model and serial numbers on the QR code label on the bottom of the back of the vacuum body.

**TECHNICAL SPECIFICATIONS**

Voltage: 120V, 60Hz

Watts: 1150W

Amps: 9.5A



**PLEASE READ CAREFULLY AND KEEP FOR FUTURE REFERENCE.**

This Owner's Guide is designed to help you get a complete understanding of your new Shark® Rotator® Powered Lift-Away®.

SharkNinja Operating LLC  
US: Needham, MA 02494  
CAN: Ville St-Laurent, QC H4S 1A7  
1-800-798-7398  
sharkclean.com

Illustrations may differ from actual product. We are constantly striving to improve our products; therefore the specifications contained herein are subject to change without notice.

For SharkNinja U.S. Patent information, visit [www.sharkninja.com/uspatents](http://www.sharkninja.com/uspatents)