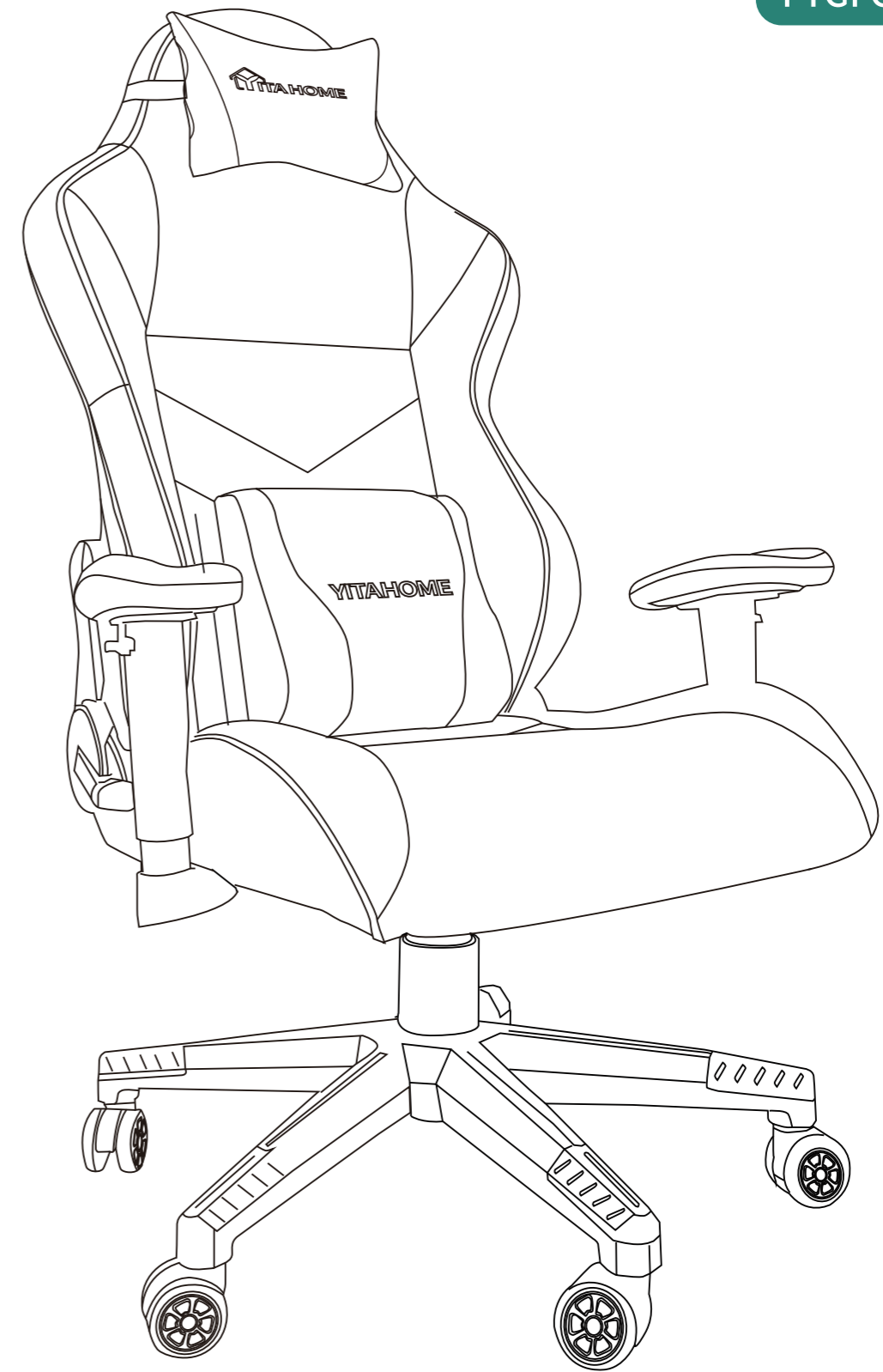


FTGFGC-0008
FTGFGC-0009



G A M I N G C H A I R

CONTACT US:

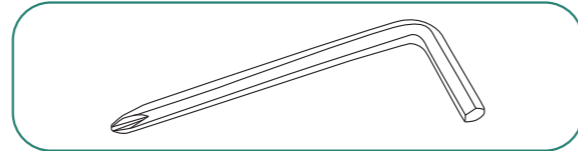
If you have any questions about the installation of YITAHOME® products, just contact us at +1 (888) 717-8084 from Monday to Friday 8:00 A.M. – 5:00 P.M. or e-mail us at yitahome@outlook.com

Alternative method to contact us (amazon.com orders only)

1. Log into your Amazon account
2. Go to "Your Orders" and find the purchase
3. Click on "Contact Seller"

- ⚠️ 1: Wipe down with wet cloth, then dry with clean cloth.
- 2: Periodically check that all components are firmly fixed, tighten loose parts if necessary.
- 3: Adjustable back angle ranges from 90 to 180 degrees. Please note that 180-degree reclining is an upgraded function, be careful when the function is activated.

Tools Required For Assembly



HARDWARE		
Item no.	Reference Image	Qty.
1		X 6
2		X 8
3		X 8
4		X 1
5		X 1

PARTS	
Reference Image	Qty.
	X 1

PARTS	
Reference Image	Qty.
	X 1

PARTS		PARTS	
Reference Image	Qty.	Reference Image	Qty.
	X 5		X 1
	X 1		X 1
	X 1		X 1
Please remove the pre-screwed bolts on the two sides with red circle before assembly.			X 1
	X 1	Please remove the pre-screwed bolts under seat with red circle before assembly.	
Pay attention to the direction of this part.			X 2
		Pay attention to the direction of this part.	

1



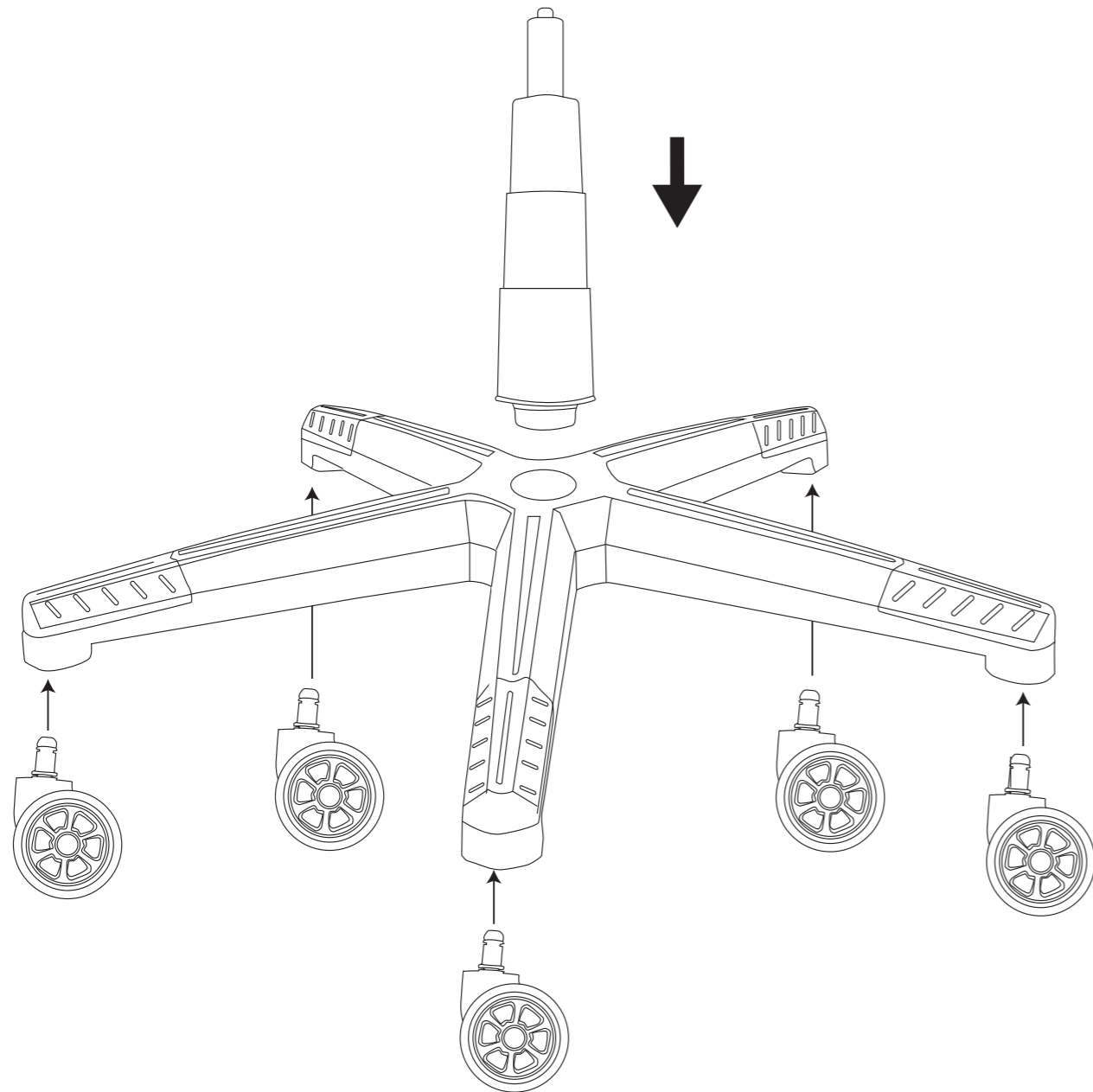
Seat Base 1 pc



Gas Lift+ Cover 1 pc



Wheels 5 pcs

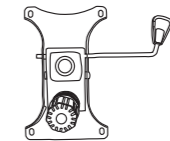


3

2



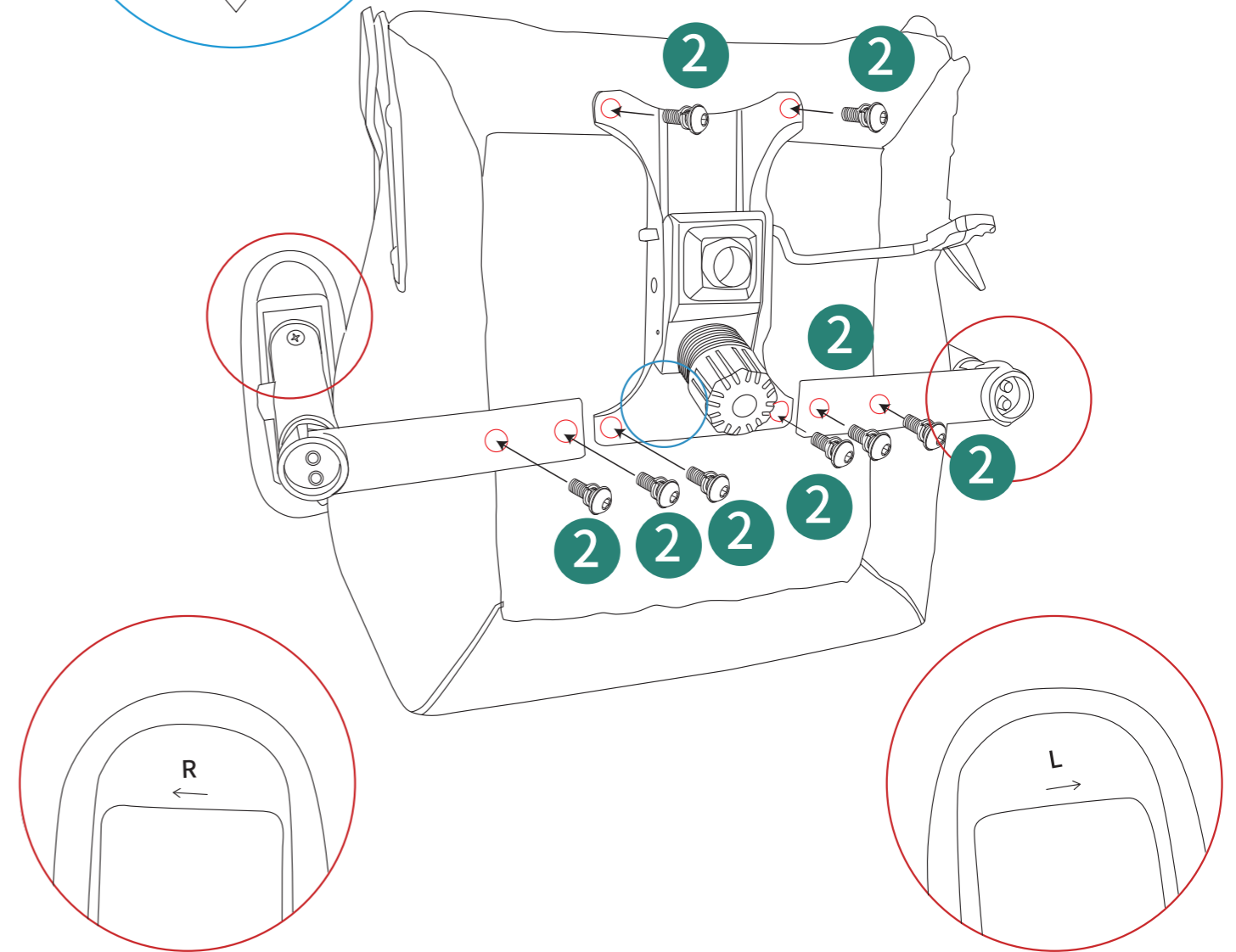
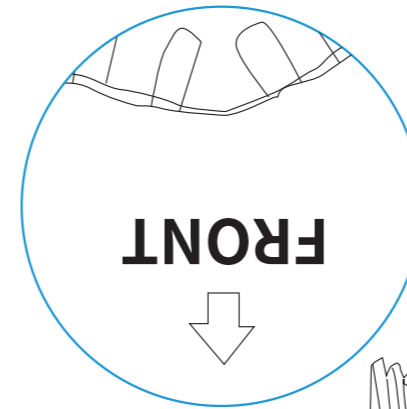
② 8 pcs



Tilt mechanism 1 pc



Armrest 2 pcs

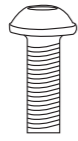


4

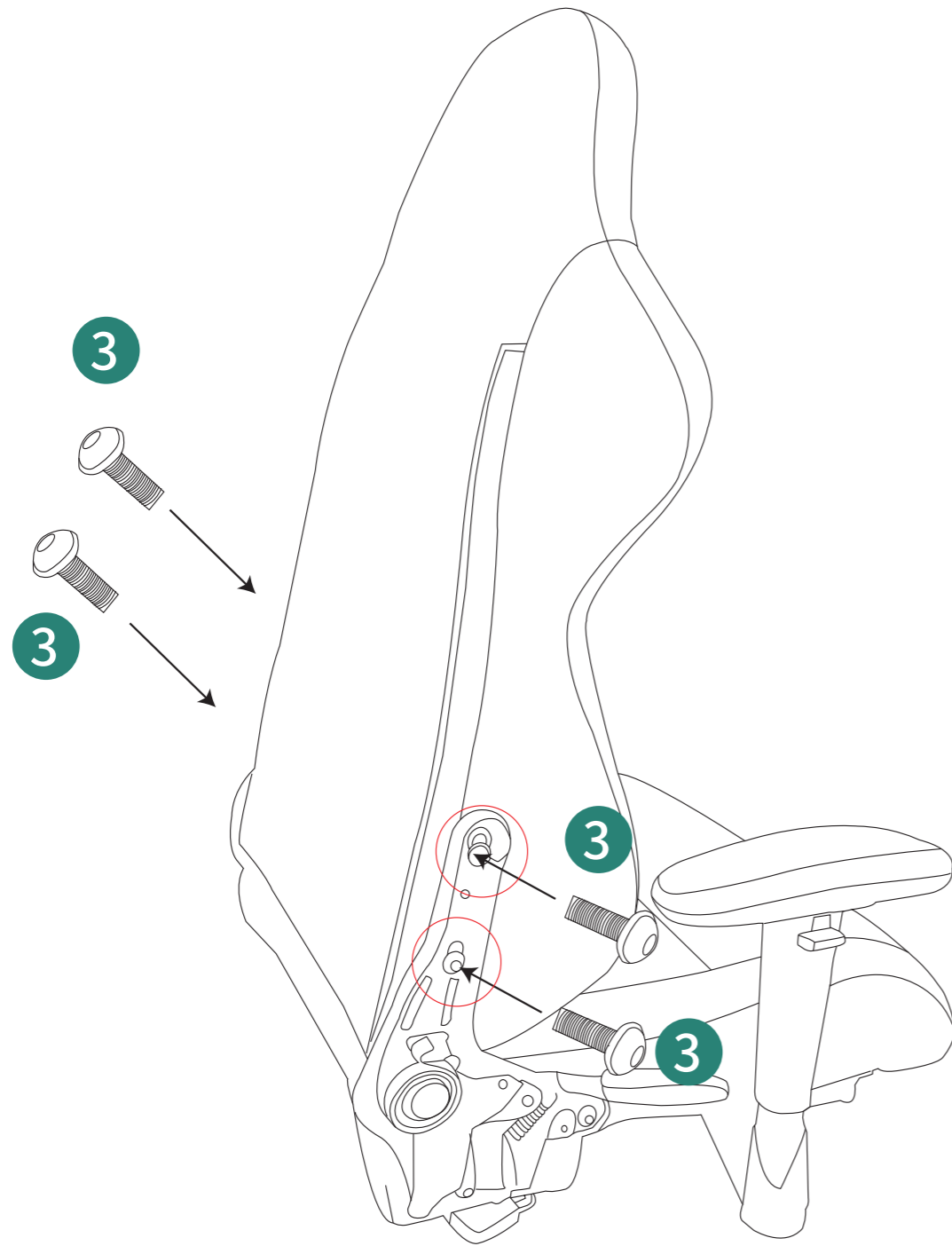
3



Backrest 1 pc



③ 8 pcs



5

4



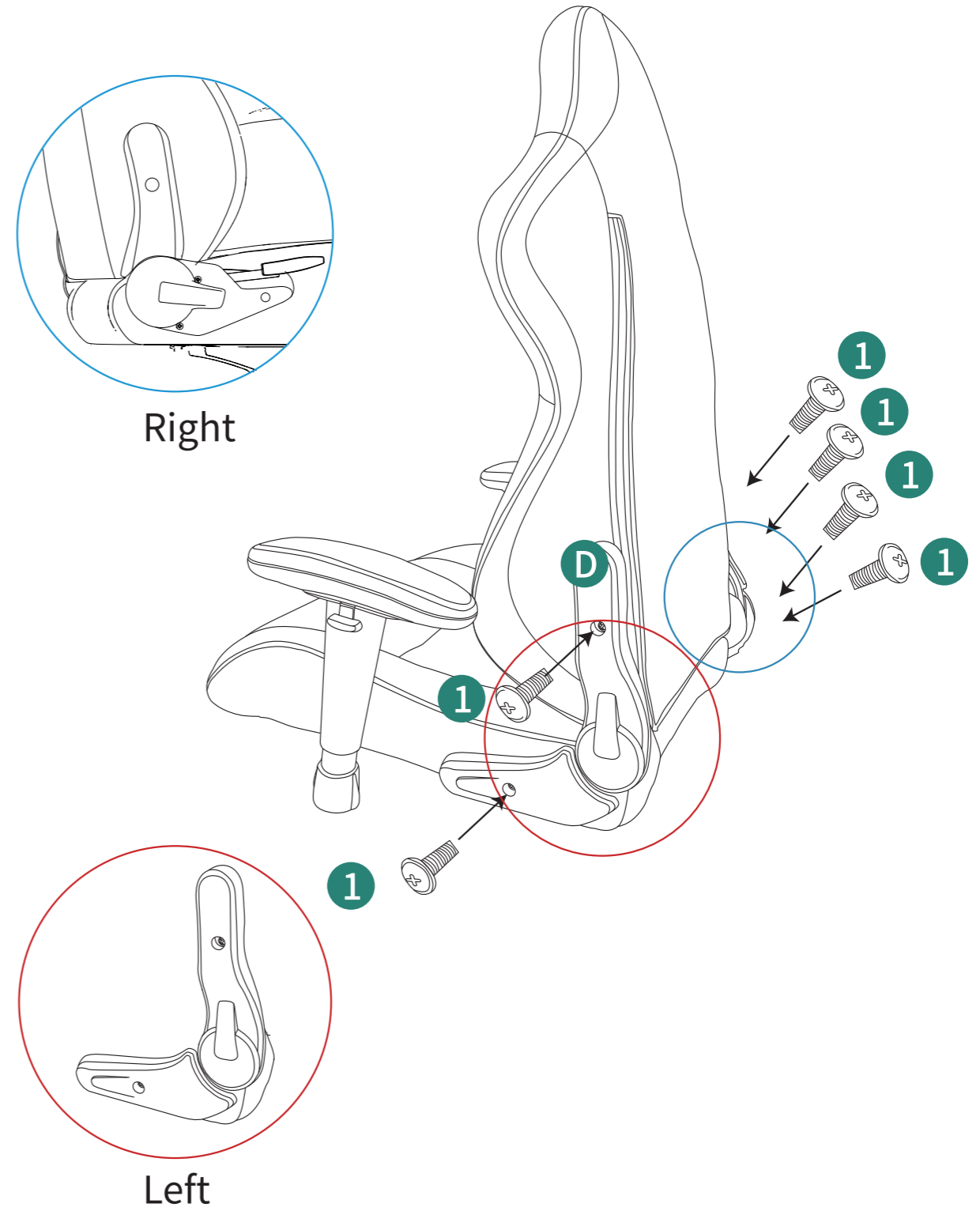
Backrest Covers (right) 1 pc



Backrest Covers (left) 1 pc

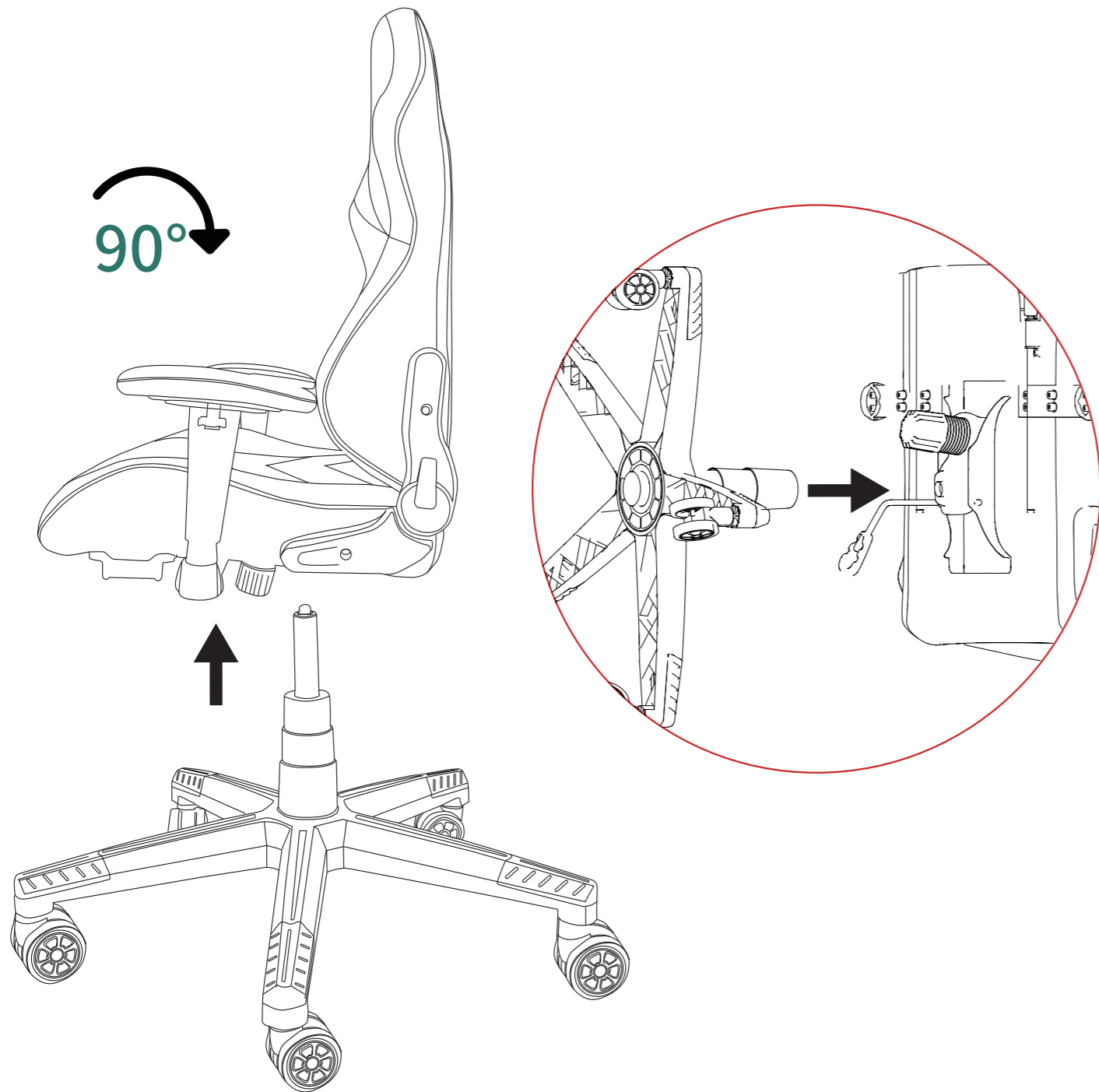


① 6 pcs



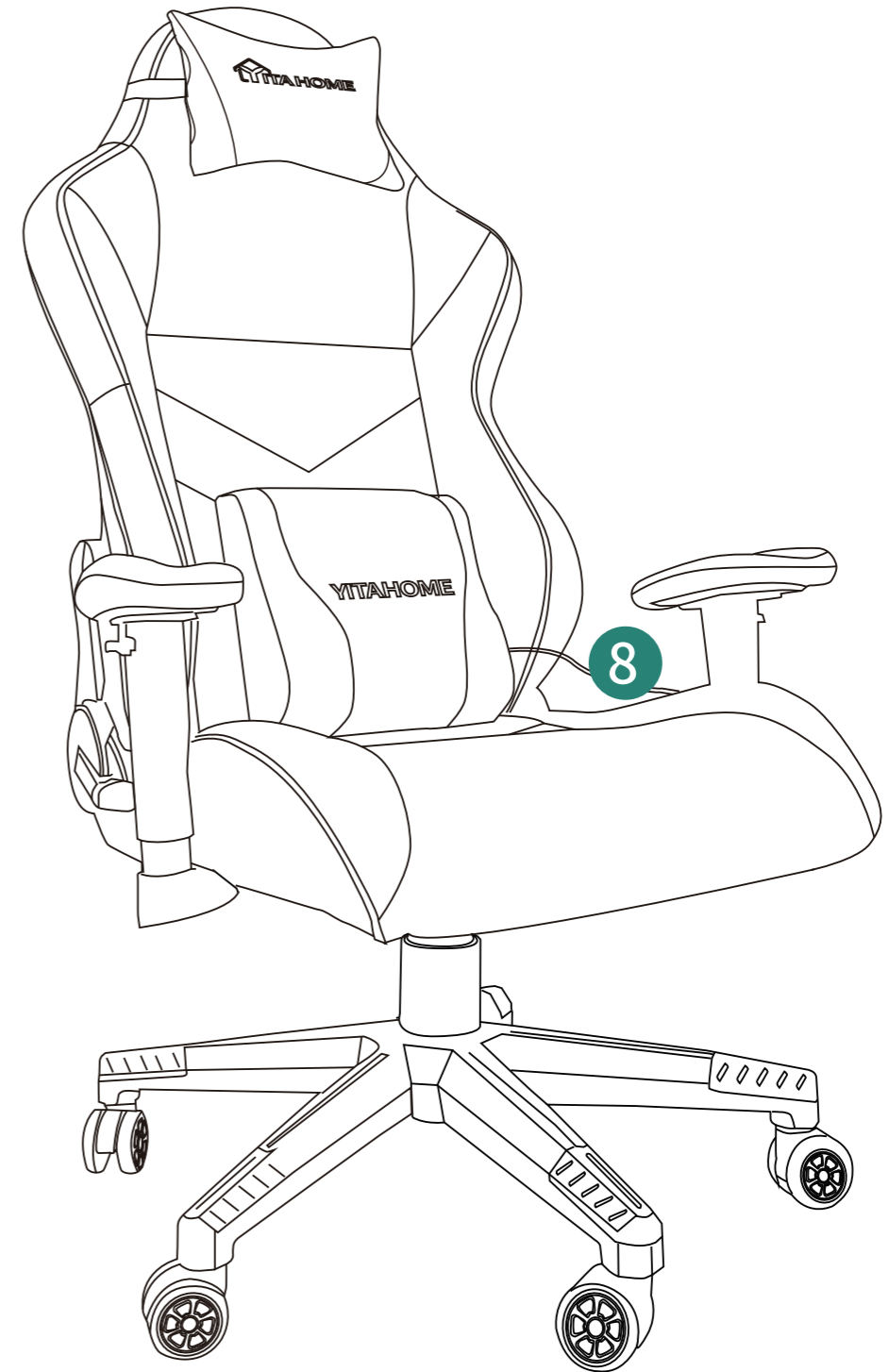
6

5



6

Head Cushion 1 pc Lumbar Cushion 1 pc ⑧ 1 pc



Complete Installation

