

Cuisinart® INSTRUCTION AND RECIPE BOOKLET



4-Quart Deep Fryer

CDF-200

For your safety and continued enjoyment of this product, always read the instruction book carefully before using.

IMPORTANT SAFEGUARDS

When using an electrical appliance, basic safety precautions should always be taken, including the following:

1. **READ ALL INSTRUCTIONS.**
2. Unplug from outlet when not in use and before cleaning. Allow to cool before putting on or taking off parts, and before cleaning the appliance.
3. Do not touch hot surfaces. Use handles and knobs.
4. To protect against electric shock, do not immerse control panel, cord, plug or deep fryer in water or other liquids.
5. This appliance should not be used by or near children or individuals with certain disabilities.
6. Never leave appliance unattended when it is connected to the power outlet.
7. Always attach breakaway cord to appliance first, then plug into wall outlet.
8. Do not operate any appliance with a damaged cord or plug, or after the appliance malfunctions or has been damaged in any manner. Return appliance to the nearest Authorized Service Center for examination, repair or adjustment.
9. The use of attachments not recommended or sold by the manufacturer may result in fire, electric shock or injury.
10. Do not use outdoors.
11. Do not let cord hang over edge of table or counter, or touch hot surfaces.
12. Do not place on or near a hot gas or electric burner, or in a heated oven.
13. Extreme caution must be used when moving the Cuisinart® 4-Quart Deep Fryer if it contains hot oil.
14. The appliance will automatically shut off if operation exceeds 12 minutes without oil. If this occurs, use the reset button to reset the appliance.
15. If appliance still does not function after following reset instructions, please contact a Cuisinart Certified Consumer Service Center for assistance.
16. Be sure handles are properly attached to basket and locked in place. See detailed assembly instructions.
17. Do not use this appliance for other than its intended use.
18. Periodically check for looseness of screws or nuts and retighten them.
CAUTION: Overtightening can result in stripping of screws or nuts or cracking of handle or feet.
19. Do not exceed 60 minutes of ON time within a period of 2 hours.
20. Do not operate your appliance in an appliance garage or under a wall cabinet. When storing in an appliance garage, always unplug the unit from the electrical outlet. Not doing so could create a risk of fire, especially if the appliance touches the walls of the garage or the door touches the unit as it closes.

SAVE THESE INSTRUCTIONS

FOR HOUSEHOLD USE ONLY

BREAKAWAY CORD AND POLARIZED PLUG

This appliance features a breakaway cord and polarized plug (one blade is wider than the other). The breakaway cord is designed to quickly disconnect from the appliance when a pulling force is applied.

NOTE: The breakaway cord can fit into the appliance in only one direction.



Please refer to printing on the cord connector that states “This Side Up.” To reduce the risk of electric shock, a polarized plug is used. This plug is intended to fit only into a polarized outlet. If the plug does not fit into the outlet, reverse the plug. If it still does not fit, contact a qualified electrician. Do not attempt to modify the plug in any manner.

Always attach plug to appliance first, then plug cord in the wall outlet. To disconnect, turn any control to “off,” then remove plug from wall outlet.

SHORT CORD INSTRUCTIONS

CAUTION: A short power-supply cord is provided to reduce the risk of personal injury resulting from becoming entangled in or tripping over a long cord.

EXTENSION CORD USE

An extension cord or longer detachable cord is not recommended for use with deep fryers.

ELECTRIC POWER

If the electrical circuit is overloaded with other appliances, your appliance may not operate. It should be operated on an electrical circuit that is free from other appliances. If you are not sure

of the reason for overloading or cannot find a separate circuit, contact a qualified electrician. This appliance is for 120 volts only and should not be used with a converter.

IMPORTANT SAFETY TIPS

1. Always keep lid closed while deep fryer is cooking food. Use basket handle to raise and lower basket. Always raise basket out of hot oil and rest on basket hook, to allow food to drain completely before removing.
2. **BEWARE OF STEAM WHEN OPENING LID.**
3. Wet food should be dried first with paper towels. Remove loose ice from frozen foods. Close the lid when frying. Beware of oil splattering when food is put into the oil.
4. Keep appliance at least 4 inches away from walls or other objects during operation. Do not place any objects on top of appliance while it is operating.
5. Be sure oil container is filled to at least the minimum oil level. Do not fill above the maximum. Do not operate appliance without oil or with an insufficient amount of oil. Never pour oil into heated oil container.
6. Do not operate this appliance if the lid and the oil container are not completely dry.
7. Keep this fryer out of reach of children while in use and away from edges of countertops where it could be pulled off or pushed over by children.
8. Do not use any solid/hydrogenated oil, shortening, olive oil, grapeseed oil or lard in this deep fryer. **DO NOT MIX OILS**, as they may have different smoke points. USE **GOOD QUALITY OIL** that has a smoke point of 420°F or higher.

CAUTION: To prevent damage to countertop or tabletop finish, use a nonflammable, heat-resistant coaster or placemat between the appliance and the countertop or tabletop

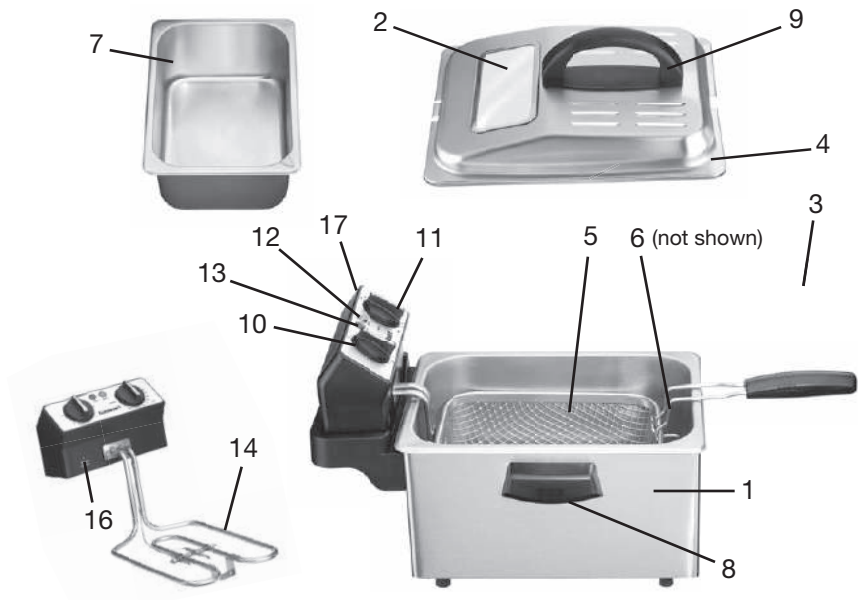
surface. Never place on carpet, furniture, or other combustible materials.

CONTENTS

Important Safeguards	3
Important Safety Tips	4
Parts and Features	5
Before the First Use	6
Operating Instructions	6
Cleaning, Care and Maintenance	7
Safety Features	7
Tips and Hints	8
Filtering and Changing the Oil	8
Deep-Frying Guide	9
Recipes	11
Warranty	15

PARTS AND FEATURES

1. Stainless steel housing
2. Viewing window
3. Collapsible basket handle
4. Lid
5. Basket
6. Basket hook (not shown)
7. Oil container
8. Handles
9. Lid handle
10. Timer
11. Temperature control knob
12. Oil Ready indicator light
13. Power On indicator light
14. Heating element
15. Breakaway cord (not shown; refer to page 3)
16. Reset button
17. Control panel



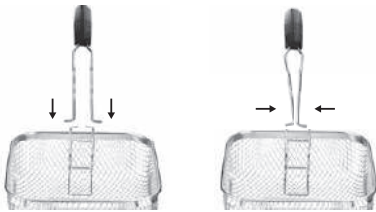
BEFORE THE FIRST USE

Remove all packaging and any promotional labels or stickers from your deep fryer. Be sure that all parts (listed in **Parts and Features**) of your new deep fryer have been included before discarding any packaging materials. You may want to keep the box and packing materials for use at a later date.

Before using your Cuisinart® 4-Quart Deep Fryer for the first time, remove any dust from shipping by wiping the base with a moist cloth. Thoroughly clean the oil container, lid and basket. The oil container, lid and basket are dishwasher safe. Never immerse the appliance in water; water must not be allowed to penetrate the interior of the appliance.

OPERATING INSTRUCTIONS

1. Lift off lid covering oil container.
2. Remove basket from oil container.
Attach handle to basket by squeezing posts and assembling as shown in diagram.



3. Insert the control panel into the stainless steel body as seen below.
NOTE: The immersion heating element will not heat up unless the control panel is correctly installed.



4. Pour approximately one gallon of good quality vegetable, corn, canola, soybean, or peanut oil into oil container until it reaches between the MIN and MAX marks inside container. **DO NOT OVER- OR UNDER-FILL. DO NOT MIX OILS.**
5. Put lid on deep fryer.
6. Attach breakaway cord to the back of the appliance, then plug into outlet.
7. When unit is plugged in, the Power On indicator light will turn on.
8. Set the temperature control knob to the desired temperature. The Oil Ready indicator light will turn green once the oil has reached the desired temperature.
9. Lift lid and set basket onto the oil container using the basket hook. Put food into basket. Do not exceed the MAX fill line on the basket. Lower basket into oil and place the lid on top.
CAUTION: Oil is hot. Please use caution when placing food into hot oil.
10. Set timer (up to 30 minutes) to cooking time specified, depending on what you are cooking.
11. Timer will ring when set time has elapsed. Remove lid and raise the basket to see if the food has reached the desired golden color. If the food is done, carefully lift and hang basket on the oil container. Allow oil to drain completely before removing the basket. Remove cooked food from basket and place onto absorbent paper towels.
NOTE: To preserve oil quality, do not add additional salt or spices to the food until after it has been removed from the fryer.
WARNING: The timer does not switch appliance off.
12. When cooking is finished, turn temperature control to Standby. Unplug the breakaway cord from the wall outlet before detaching from the appliance.

CLEANING, CARE AND MAINTENANCE

1. Always unplug appliance, detach the breakaway cord and let the oil cool down to room temperature before cleaning.
2. Remove lid.
3. Lift out basket.
4. The control panel should never be immersed in water or other liquids. Before first use, clean the outer surface of the heating element with a damp cloth containing mild soap solution or clean water.
5. Once the oil has cooled, line a sieve with cheesecloth. Grasp each side of the removable oil container and lift upward. Pour the oil through the sieve and strain the used oil through it to remove food particles, crumbs and impurities. This process is safe to repeat after three or four frying sessions without the oil deteriorating.
6. The frying basket should be seasoned in oil before going into the dishwasher for the first time. Lid and oil container are dishwasher safe. Dry parts thoroughly after cleaning and before assembling.
7. The stainless steel housing is not submersible and should be washed by hand with warm, soapy water.
8. Ensure that both the lid and the oil container are completely dry after washing and before use.
9. After cleaning, reassemble oil container, heating element, basket and lid onto deep fryer. The heating element must be seated properly or appliance will not operate.
10. **Warning: When cleaning, use care – under-edge of deep fryer is sharp.**
11. For storage, basket handle can be folded down to fit inside container.
12. Tip: For ease in cleaning, wipe control panel with damp microfiber cloth. Microfiber cloths are available in most kitchenware stores.

NOTE: Oil staining on the heating element and oil container can be easily cleaned with a plastic scrubbing pad.

Maintenance: Any other servicing should be performed by an authorized service representative.

SAFETY FEATURES

The Cuisinart® 4-Quart Deep Fryer is equipped with the following features to ensure safety:

- **Safety Interlock** – The control panel/heating element must be properly seated or deep fryer will not operate.
- **Breakaway Cord** – The cord is designed to quickly disconnect from the appliance when a pulling force is applied.
- **Thermostat Overload Protection** – Your Cuisinart® 4-Quart Deep Fryer is equipped with a thermostat overload protection. If the unit heats up beyond the recommended temperature level, the deep fryer will automatically turn off. To reset, unplug the unit from the wall outlet and allow it to cool down. Remove the control panel and heating element from the unit.



CAUTION: The heating element is extremely hot. Allow it to cool thoroughly before removing it. You will find a reset button on the front of the control panel below controls. Using a toothpick or another long, thin object, push the reset button and place the control panel back into its proper position.

NOTE: The unit will not work if the control panel is not properly mounted. Plug the unit back in, turn on and continue use. If the unit

still does not operate, repeat the steps above or call a Cuisinart Certified Consumer Service Center for assistance.

TIPS AND HINTS

- When cooking foods dipped in fresh batter, first lower basket into hot oil. Using tongs, add food directly to oil. Use basket to lift out food when finished cooking.
- Do not exceed the MAX fill line in the basket. This helps maintain temperature of oil for better cooking results.
- Sort or cut food into pieces of uniform size. All the food will then be cooked in the same amount of time. To reduce splattering, remove excess moisture or ice from food.
- The oil does not need to be changed after each use. In general, the oil will be tainted rather quickly when frying food containing a lot of protein (such as poultry, meat or fish). When oil is mainly used to fry potatoes and it is filtered after each use, it can be used an additional 4 to 6 times.
- Once the oil has cooled, line a sieve with cheesecloth. Grasp each side of the removable oil container and lift upward. Pour the oil through the sieve and strain the used oil through it to remove food particles, crumbs and impurities. This process is safe to repeat three or four times without the oil deteriorating.
- It is important to follow the temperature recommendation for every recipe. If the temperature is too low, the fried food absorbs oil. If the temperature is too high, a crust quickly forms on the outside while the inside remains uncooked.
- For best results, drop freshly sliced food into basket one piece at a time.

FRYING FROZEN FOODS

- Due to their extremely low temperature, frozen foods inevitably lower the temperature of the oil. For best results, do not overload the basket with frozen foods.

- Follow the instructions on the frozen food package for cooking time and temperature.
- Frozen foods are frequently covered with a coating of ice crystals, which should be removed before frying. Lower the basket very slowly into the oil in order to ensure that oil does not boil over.

FILTERING AND CHANGING THE OIL

- **WARNING:** Always remove the plug from wall socket before cleaning. Allow the Cuisinart® Deep Fryer and the oil to cool completely (approximately 2 hours) before cleaning or storing. Never immerse the control panel, cord or plug in water or any other liquids.
- The oil can be reused after your first frying session. In general, the oil will be tainted rather quickly when frying food containing a lot of protein (such as poultry, meat or fish). When oil is mainly used to fry potatoes and it is filtered after each use, it can be used an additional 4 to 6 times.
- Once the oil has cooled, line a sieve with cheesecloth. Grasp each side of the removable oil container and lift upward. Pour the oil through the sieve and strain the used oil through it to remove food particles, crumbs and impurities. This process is safe to repeat three or four times without the oil deteriorating.
- Used oil can be successfully stored in a cool, dark place for up to a month in a clean, airtight container. Refrigeration or freezing increases the oil's lifespan by several months. However, do not use the oil for longer than 6 months. **DO NOT STORE THE OIL IN THE DEEP FRYER.** Add a little fresh oil each time you reuse the oil. Any other servicing should be performed by an Authorized Service Representative.

TIPS FOR FRYING

Heat oil to 375°F unless recipe specifies otherwise. A cube of bread should brown in approximately 60 seconds. Correct temperature

is extremely important. If the temperature is too high, breads will brown before the insides have cooked; if it is too low, the bread will absorb the fat and become soggy and greasy.

Cook only as much as will float easily in the oil. Too much added to the Cuisinart® 4-Quart Deep Fryer will cause the temperature to drop, and the food will be difficult to turn. Turn bread when it rises to the top of the oil, taking care not to pierce it. Lift cooked breads from the

fryer; allow them to drain for a moment, then place on paper towels to drain.

DEEP-FRYING GUIDE – Prepared Foods

Prepared foods listed in this chart are breaded and cooked prior to packaging. If frozen, do not thaw; place foods directly from package into preheated oil. If there are frozen ice granules around prepared foods, set pieces on a paper towel and pat dry.

Use this chart as a guide to deep-frying times. Best results are obtained when food is cooked in small batches and size of pieces is uniform. Check deep-fried foods at the shortest times given; deep-fry until heated through.

Low heat 325°F

Onion rings 5–6 min.

Medium heat 350°F

Chicken tenders 5½–6 min.

Chicken nuggets 3–4 min.

Chicken pieces 7–8 min.

Small mushrooms 2½–3 min.

Medium shrimp 2–2½ min.

Small shrimp pops 1–2 min.

High heat 375°F

Large or fantail shrimp 1–2 min.

Mozzarella sticks 2–3 min.

Halibut fish fillets 3–3½ min.

Halibut fish balls 2–3 min.

DEEP-FRYING GUIDE – Fresh or Uncooked Foods

Fresh indicates food prepared from a recipe or purchased fresh, not frozen. Read package label to determine if prepared, packaged foods are NOT precooked. If frozen, do not thaw; place foods directly from package into preheated oil. If there are ice granules around prepared foods, set pieces on a paper towel and pat dry. Moist vegetables will cause the oil to splatter.

Frying times may vary because of food temperature, quantity and size of pieces. Best results are obtained when food is cooked in small batches and size of pieces is uniform. Check deep-fried foods at the shortest times given; deep-fry until fully cooked.

Low heat 325°F

Turkey thighs, bone in, skin on	20–22 min.
Turkey breast, bone up, skin down	30–35 min.
Breaded eggplant	5–6 min.
Breaded portobello mushrooms	4½–5 min.

Medium heat 350°F

Frozen chicken nuggets	5½–6 min.
Breaded chicken tender	3½–4½ min.
Breaded, boneless chicken breasts	5½–6 min.
Breaded bone-in pork chops	7½–8 min.
Egg rolls	5 min.
Chimichangas	7–7½ min.
Large shrimp	1–2 min.

High heat 375°F

Red potato chips	2–3 min.
Yam potato chips	2–2½ min.
American fries	5–6 min.
Thin french fries	3–3½ min.
Thick french fries	3½–4 min.
Curly french fries	4½–5 min.

RECIPES

Applesauce Spice Doughnuts	11
Spicy Buffalo Wings	11
Blue Cheese Dressing	12
Fried Calamari	12
Better than Fast-Food French Fries.	12
Hush Puppies.	13
Herbed Beer-Batter Onion Rings.	13
Crispy Chicken Fingers	14
Honey Mustard Sauce	14

Applesauce Spice Doughnuts

Makes about 24

3 $\frac{1}{3}$ cups unbleached, all-purpose flour, divided
1 tablespoon baking powder
 $\frac{1}{2}$ teaspoon salt
 $\frac{3}{4}$ teaspoon cinnamon
 $\frac{1}{4}$ teaspoon ground allspice
 $\frac{1}{8}$ teaspoon freshly grated/ground nutmeg
 $\frac{3}{4}$ cup granulated sugar
2 tablespoons solid vegetable shortening
1 cup applesauce
2 large eggs
Flour for dusting
Oil for frying
Powdered or granulated sugar for dusting

Put the flour, baking powder, salt and spices in a medium bowl and stir with a whisk to blend; reserve. Put the sugar and shortening in a large bowl. Using an electric mixer on low speed, beat to blend and break up the shortening. Add the apple-

sauce and eggs; beat until smooth. Add the flour mixture in two additions and blend on medium speed until mixed. Cover dough and chill for a least 1 hour.

Divide dough into two equal portions. Place one portion of dough on a generously floured surface and dust with flour. Roll out to $\frac{1}{2}$ -inch thickness. Cut dough with a floured doughnut cutter and place doughnuts on a waxed paper-lined baking sheet or tray. Repeat with remaining dough. Re-roll scraps and repeat.

Heat vegetable oil in Cuisinart® 4-Quart Deep Fryer until it reaches 375°F. Carefully lower 3 doughnuts into the hot oil – do not overcrowd! Fry on each side, about 1 $\frac{1}{2}$ to 2 minutes, turning with a slotted spoon or wire skimmer. Remove and drain on layered paper towels. Pat gently to remove any excess oil, and sprinkle with desired amount of sugar.

Spicy Buffalo Wings

Makes 24 pieces

12 chicken wings
 $\frac{1}{2}$ cup unsalted butter, melted
5–8 tablespoons “Louisiana style” hot sauce
1 tablespoon cider vinegar
Oil for frying
Blue Cheese Dressing (page 12) and celery sticks, carrot sticks, zucchini sticks

Cut wing tips from wings and discard or reserve for making chicken stock. Split each wing at the joint and cut through so there are 2 pieces from each wing. Rinse and dry completely. In a large bowl, combine the melted butter, hot sauce and cider vinegar and stir until completely blended.

Heat oil until it is 375°F. Put half the wings into the Cuisinart® 4-Quart Deep Fryer and cook until browned and crispy, about 12 to 15 minutes. Remove wings; drain briefly on layered paper towels. Then stir hot, crispy wings into the hot sauce mixture. Repeat with remaining

wings. Serve hot with cold vegetable sticks and Blue Cheese Dressing.

NOTE: If you have some guests who do not appreciate hot and spicy, fry the wings as instructed and toss with your favorite BBQ sauce or honey mustard sauce. For “super-hot” strength wings, add additional hot sauce along with the Louisiana-style hot sauce.

Blue Cheese Dressing

- ½ cup mayonnaise (regular or lowfat)**
- ½ cup sour cream (regular or lowfat)**
- ½ cup crumbled blue cheese**
- 1 teaspoon finely chopped garlic**
- ¼ cup finely chopped parsley**
- 1 to 2 tablespoons finely chopped onion**
- 1 tablespoon fresh lemon juice**
- 2 cups dairy-free milk (may substitute low-fat or fat-free)**

Put all ingredients in a bowl and stir well to blend. Cover and refrigerate for at least 30 minutes before serving to allow flavors to blend.

Fried Calamari

Makes about 4 servings

- 2½ pounds cleaned calamari, including some tentacles**
- Vegetable oil for frying**
- 2 cups unbleached, all-purpose flour**
- 1 tablespoon finely chopped parsley**
- 1 teaspoon granulated garlic powder**
- 1 teaspoon each: kosher salt and pepper**
- Marinara sauce for dipping**
- Fresh lemon wedges for garnish**

Rinse and drain the calamari; place on thick layers of paper towels, pressing and blotting them completely dry with another layer of paper towels on top. Cut the bodies into ½-inch rings, and cut tentacles into halves or quarters if large.

Heat oil to 360°F in the Cuisinart®

4-Quart Deep Fryer. Preheat the oven to 500°F. Line 2 cookie sheets with parchment paper.

Put the flour, parsley, granulated garlic, salt and pepper in a jumbo, resealable food storage bag. Working with about a quarter of the calamari at a time, drop calamari into the bag, seal and shake. Squeeze the sides of the bag to completely coat the calamari. Take care that the pieces are individually coated and not stuck together. Remove from the bag and place on a baking sheet lined with plastic wrap. Repeat until all the calamari have been coated evenly with flour mixture.

Gently add calamari to hot oil, about 1 to 1½ cups at a time, trying to let all the pieces drop in separately. Do not crowd the calamari, because crowding will drop the temperature of the oil. The calamari will be pale golden and just cooked in about 40 to 60 seconds. Do not overcook – they will become tough. Lift the calamari out using a slotted spoon or metal skimmer, and drain in a single layer on prepared cookie sheets. Repeat with the remaining calamari. When all the calamari have been fried, reheat them in the 500°F oven for several minutes. Sprinkle lightly with a little more salt, and serve with warm marinara sauce for dipping.

Better than Fast-Food French Fries

Makes about 6 servings

- 2 Peanut or vegetable oil for frying**
- russet potatoes**
- Kosher salt and freshly ground pepper to taste**

Heat oil in Cuisinart® 4-Quart Deep Fryer to 325°F.

Cut potatoes into french fry-cut uniform sticks or into slices ¼-inch or less thick. As you cut, place the potatoes in a bowl of ice water to keep them from turning brown.

Drain and dry the potato strips completely and thoroughly. They cannot be at all wet,

or the oil will spatter and spit. Fry the potatoes in small batches. Cook for about 3 minutes, remove and drain on layers of paper towels.

Increase temperature of oil to 375°F. In small batches again, fry the potatoes for a second time, this time about 4 minutes, until golden and crispy. Drain on fresh layers of paper towels. Season to taste and serve immediately.

Seasoning suggestions: herb blends, Cajun or Creole seasonings, and chili powder.

Hush Puppies

Makes about 20 to 30

	Oil for frying
1½	cups cornmeal
½	teaspoon salt
¼	teaspoon baking soda
¼	cup finely chopped white or green onion
¼	cup buttermilk
⅓	cup water

Heat oil in Cuisinart® 4-Quart Deep Fryer until it reaches 375°F.

While the oil is heating, make the Hush Puppy batter.

Combine cornmeal, salt and baking soda in a medium bowl. Stir in onion. Add buttermilk and water – stir just to moisten the dry ingredients.

Make into rounded tablespoonfuls and drop carefully into the hot oil and fry until golden brown, turning once with a slotted spoon or wire skimmer. Remove from the oil. Drain on layers of paper towels. Serve immediately.

Herbed Beer-Batter Onion Rings

Makes 2 to 4 servings

¾	cup + 2 tablespoons lager or ale
1	cup unbleached, all-purpose flour

½	cup chopped fresh parsley
1	tablespoon chopped fresh thyme
1	teaspoon finely chopped fresh garlic
1 to 2	onions (about 1 pound total)
	Flour for dusting
	Vegetable oil for frying
	Kosher salt for sprinkling

In a medium bowl, whisk the beer into the flour until smooth. Stir in the parsley, thyme and garlic. Let batter stand 30 minutes. Stir in salt.

Cut onion crosswise into ½-inch thick slices. Remove and discard skin, stem and root ends. Separate slices into rings. Toss lightly with flour.

Heat vegetable oil in Cuisinart® 4-Quart Deep Fryer until it reaches 375°F. Working with about 4 or 5 rings at a time, dip each ring into batter, and allow excess to drip off.

Carefully lower coated onion rings into deep fryer, one at a time. Fry until golden, turning as needed, about 1 to 2 minutes. Lift out with tongs and place on layered paper towels to drain. Sprinkle with kosher salt while hot, and serve.

Crispy Chicken Fingers

Makes 6 servings

3	tablespoons kosher salt
3	tablespoons brown sugar
1	cup boiling water
12	ice cubes
4	skinless, boneless chicken breast halves
1	cup unbleached, all-purpose flour
½	teaspoon kosher salt
¼	teaspoon freshly ground pepper
¼	teaspoon paprika
¼	teaspoon granulated garlic powder
	Oil for frying
¾	cup buttermilk or regular milk

Combine salt, sugar and boiling water in a medium-large, heatproof bowl. Stir until sugar and salt are completely dissolved. Add ice. Cut chicken into ½ x 2-inch

strips. Place cut chicken in the chilled brine mixture and refrigerate for 30 to 60 minutes.

Combine the flour with the salt, pepper, paprika and granulated garlic in a shallow bowl; reserve.

When ready to cook, drain chicken and pat completely dry. Heat oil in Cuisinart® 4-Quart Deep Fryer to 350°F. Dip the drained and dried chicken strips in buttermilk and roll in flour mixture to coat well. Place the strips on a plate. Carefully place the chicken strips in the hot oil in batches. Cook, turning once, for about 3 to 4 minutes per side. Drain on layers of paper towels and serve with Honey Mustard Sauce (page 14).

Honey Mustard Sauce

$\frac{1}{2}$ cup honey
 $\frac{1}{4}$ cup Dijon mustard
(regular or grainy)

Blend honey and mustard to make honey mustard sauce.

WARRANTY

Limited Three-Year Warranty (U.S. and Canada Only)

This warranty is available to consumers only. You are a consumer if you own a Cuisinart® 4-Quart Deep Fryer that was purchased at retail for personal, family or household use. Except as otherwise required under applicable law, this warranty is not available to retailers or other commercial purchasers or owners.

We warrant that your Cuisinart® 4-Quart Deep Fryer will be free of defects in materials and workmanship under normal home use 3 years from the date of original purchase.

We recommend that you visit our website, www.cuisinart.com for a fast, efficient way to complete your product registration. However, product registration does not eliminate the need for the consumer to maintain the original proof of purchase in order to obtain the warranty benefits. In the event that you do not have proof of purchase date, the purchase date for purposes of this warranty will be the date of manufacture.

If your Cuisinart® 4-Quart Deep fryer should prove to be defective within the warranty period, we will repair it, or if we think necessary, replace it. To obtain warranty service, simply call our toll-free number, 1-800-726-0190, for additional information from our Consumer Service Representatives, or send the defective product to Consumer Service at Cuisinart, 7475 North Glen Harbor Blvd., Glendale, AZ 85307. To facilitate the speed and accuracy of your return, please enclose \$10.00 for shipping and handling of the product. Please pay by check or money order made payable to Cuisinart (California residents need only supply proof of purchase and should call 1-800-726-0190 for shipping instructions).

NOTE: For added protection and secure handling of any Cuisinart product that is being returned, we recommend you use a traceable, insured delivery service. Cuisinart cannot be held responsible for in-transit damage or for

packages that are not delivered to us. Lost and/or damaged products are not covered under warranty. Please be sure to include your return address, daytime phone number, description of the product defect, product model number (located on bottom of product), original date of purchase, and any other information pertinent to the product's return.

Your Cuisinart® 4-Quart Deep Fryer has been manufactured to the strictest specifications and has been designed for use only in 120-volt outlets with the authorized accessories and replacement parts.

This warranty expressly excludes any defects or damages caused by attempted use of this unit with a converter, accessories, replacement parts, or repair service other than those that have been authorized by Cuisinart.

This warranty does not cover any damage caused by accident, misuse, shipment or other than ordinary household use.

This warranty excludes all incidental or consequential damages. Some states do not allow the exclusion or limitation of these damages, so these exclusions may not apply to you.

CALIFORNIA RESIDENTS ONLY:

California law provides that for In-Warranty Service, California residents have the option of returning a nonconforming product (A) to the store where it was purchased or (B) to another retail store that sells Cuisinart products of the same type.

The retail store shall then, at its discretion, either repair the product, refer the consumer to an independent repair facility, replace the product, or refund the purchase price less the amount directly attributable to the consumer's prior usage of the product. If the above two options do not result in the appropriate relief to the consumer, the consumer may then take the product to an independent repair facility if service or repair can be economically accomplished. Cuisinart and not the consumer will be responsible for the reasonable cost of such service, repair, replacement, or refund for

nonconforming products under warranty.

California residents may also, according to their preference, return nonconforming products directly to Cuisinart for repair, or if necessary, replacement, by calling our Consumer Service Center toll-free at 1-800-726-0190.

Cuisinart will be responsible for the cost of the repair, replacement, and shipping and handling for such products under warranty.

BEFORE RETURNING YOUR CUISINART PRODUCT

If you are experiencing problems with your Cuisinart product, we suggest that you call our Consumer Service Center at 1-800-726-0190 before returning the product to be serviced. If servicing is needed, a representative can confirm whether the product is under warranty and direct you to the nearest service location.

Important: If the nonconforming product is to be serviced by someone other than Cuisinart's Authorized Service Center, please remind the servicer to call our Consumer Service Center at 1-800-726-0190 to ensure that the problem is properly diagnosed, the product is serviced with the correct parts, and the product is still under warranty.

©2016 Cuisinart
150 Milford Road
East Windsor, NJ 08520
Printed in China
16CE018958

Trademarks or service marks referred to herein are the trademarks or service marks of their respective owners.

A1 IB-14200-ESP

ANTES DE HACER REPARAR SU APARATO

Si su aparato tiene algún problema, le recomendamos que llame a nuestro servicio posventa al 1-800-726-0190 antes de regresar el aparato a Cuisinart. Un representante le confirmará si su aparato sigue bajo garantía y le indicará la dirección del centro de servicio más cercano.

Importante: si debe llevar el aparato defectuoso a un centro de servicio no autorizado, por favor informe al personal del centro de servicio que deberían llamar al servicio posventa de Cuisinart al 1-800-726-0190 a fin de diagnosticar el problema correctamente, usar las piezas correctas para repararlo y asegurarse de que el producto esté bajo garantía.

Los residentes de California también pueden, si lo desean, mandar el aparato defectuoso directamente a Cuisinart para que lo reparen o lo cambien. Para esto, se debe llamar a nuestro servicio posventa al 1-800-800-726-0190.

Cuisinart será responsable por los gastos de reparación, reemplazo, manejo y envío de los productos defectuosos durante el periodo de garantía.

económica. Cuisinart será responsable por los gastos de servicio, reparación, reemplazo o reembolso de los productos defectuosos durante el periodo de garantía.

recomendamos que llame a nuestro servicio posventa al 1-800-726-0190 antes de regresar el aparato a Cuisinart. Un representante le confirmará si su aparato sigue bajo garantía y le indicará la dirección del centro de servicio más cercano.

Importante: si debe llevar el aparato defectuoso a un centro de servicio no autorizado, por favor informe al personal del centro de servicio que deberían llamar al servicio posventa de Cuisinart al 1-800-726-0190 a fin de diagnosticar el problema correctamente, usar las piezas correctas para repararlo y asegurarse de que el producto esté bajo garantía.

Todas las marcas registradas, comerciales o de servicio mencionadas en este documento pertenecen a sus titulares respectivos.

GARANTÍA

Garantía limitada de tres años

(válida en los EE.UU. y en Canadá solamente)

Esta garantía es para los consumidores solamente. Usted es un consumidor si ha comprado su aparato Cuisinart® en una tienda, para uso personal o casero. A excepción de los estados donde la ley lo permita, esta garantía no es para los detallistas u otros comerciantes.

Cuisinart garantiza este aparato contra todo defecto de materiales o fabricación durante 3 años después de la fecha de compra original, siempre que el aparato haya sido utilizado para uso doméstico y según las instrucciones. Le aconsejamos que llene el formulario de registro disponible en www.cuisinart.com a fin de facilitar la verificación de la fecha de compra original. Sin embargo, no es necesario registrar el producto para recibir servicio bajo esta garantía. En ausencia del recibido de compra, el período de garantía será calculado a partir de la fecha de fabricación.

Si este aparato presentara algún defecto de materiales o fabricación durante el período de garantía, la repararemos o reemplazaremos (a nuestra opción). Para obtener servicio bajo esta garantía, llame a nuestra línea directa gratuita al 1-800-726-0190 o regrese el aparato defectuoso a: Cuisinart, 7475 North Glen Harbor Blvd., Glendale, AZ 85307. Regrese el aparato defectuoso, junto con su recibo de compra y un cheque o giro postal de US\$10.00 por gastos de manejo y envío. Los residentes de California solo necesitan dar una prueba de compra y deben llamar al 1-800-726-0190 para recibir instrucciones de envío.

NOTA: para mayor seguridad, le aconsejamos que mande su paquete por un método de entrega con seguro y seguimiento. Cuisinart no será responsable por los daños ocurridos

durante el transporte o por los paquetes mandados a una dirección equivocada. Los productos perdidos y/o lastimados durante el envío no serán cubiertos bajo esta garantía. Recuerde incluir su nombre, dirección y teléfono, la descripción del problema, así como cualquier información pertinente. Este aparato satisface las más altas exigencias de fabricación y ha sido diseñado para uso sobre corriente de 120 V, usando accesorios y piezas de repuesto autorizados solamente. Esta garantía excluye expresamente los daños causados por accesorios, piezas o reparaciones no autorizadas por Cuisinart, así como los daños causados por el uso de un convertidor de voltaje.

Esta garantía no cubre el uso institucional o comercial del producto, y no es válida en caso de daños causados por mal uso, negligencia o accidente. Esta garantía excluye expresamente todos los daños incidentales o consecuentes. Algunos Estados no permiten la exclusión o limitación de daños incidentales o consecuentes, de modo que las limitaciones mencionadas pueden no regir para usted.

RESIDENTES DE CALIFORNIA SOLAMENTE

La ley del estado de California ofrece dos opciones bajo el período de garantía. Los residentes del estado de California pueden (A) regresar el producto defectuoso a la tienda donde lo compraron o (B) a otra tienda que venda productos Cuisinart® de este tipo. La tienda, a su opción, reparará el producto, referirá al consumidor a un centro de servicio independiente, cambiará el producto o reembolsará al consumidor por el precio original del producto, menos la cantidad imputable al uso del producto por el consumidor hasta que este se dañe. Si estas dos opciones no satisficieren al consumidor, podrá llevar el producto a un centro de servicio independiente, siempre que se pueda ajustar o reparar el producto de manera

Mezclar la miel y la mostaza para preparar la salsa.

1/2	taza (170 g) de miel
1/4	taza (60 g) de mostaza de Dijon (regular o tradicional)

Salsa de mostaza y miel

Justo antes de freír, escurrir y secar totalmente el pollo. Calentar el aceite a 350 °F (190 °C). Mojar las tiras de pollo en suero de leche y rebozar en harina. Disponer las tiras sobre un plato. Freír las tiras en varias veces, colocándolas cuidadosamente en el aceite. Freír durante 3-4 minutos por lado. Colocar sobre papel absorbente para absorber el exceso de aceite y servir con salsa de mostaza y miel (receta a continuación).

Colocar la harina, la sal, la pimienta, la páprka y el ajo en un tazón poco profundo; revolver. Colocar la harina, la sal, la pimienta, la páprka y el ajo en un tazón poco profundo; revolver. Revolver hasta que el azúcar en un tazón mediano a prueba de calor; Colocar la sal, el azúcar y el agua hirviendo por 30-60 minutos.

1/4	cucharadita de pimienta recién molida
1/4	cucharadita de páprka
1/4	cucharadita de ajo en polvo
3/4	Acite para freír taza (185 g) de suero de leche ("buttermilk") o de leche regular

Aros de cebolla en “tempura” de cerveza y hierbas

Rinde 2-4 porciones

3/4	taza + 2 cucharadas (205 ml) de cerveza rubia o clara
1	taza (125 g) de harina común
1/2	taza (30 g) de perejil fresco picado
1	cucharada de tomillo fresco picado
1	cucharada de ajo finamente picado
1-2	cebollas
	Harina para espolvorear
	Aceite vegetal para freír
	Sal kosher para sazonar

Poner la harina en un tazón mediano; agregar la cerveza y batir hasta obtener una mezcla homogénea. Agregar el perejil, el tomillo y el ajo. Dejar reposar durante 30 minutos. Agregar la sal; revolver.

Cortar las cebollas a lo ancho en rodajas de 1/2 pulgada (1.5 cm). Pelar y tirar la piel y las raíces. Separar las rodajas en aros. Rebozar ligeramente en harina.

Calentar el aceite a 375 °F (190 °C). Freír 4 ó 5 aros a la vez, de la manera siguiente: mojar los aros en la mezcla y dejar escurrir.

Colocar los aros en el aceite, uno por uno. Freír durante 1-2 minutos, hasta dorarse. Retirar del aceite con pinzas y colocar sobre varias capas de papel absorbente. Sazonar aún calientes con sal kosher. y servir.

Escurrir y secar bien. Es muy importante que las papas estén bien secas, para que el aceite no salpique. Freír en varias veces, durante 3 minutos. Retirar del aceite y colocar sobre varias capas de papel absorbente para eliminar el exceso de aceite.

Subir la temperatura a 375 °F (190 °C).

Freír una segunda vez por

aproximadamente 4 minutos, hasta

que estén bien doradas y crujientes.

Colocar sobre papel absorbente limpio

para absorber el exceso de aceite.

Sazonar a gusto y servir inmediatamente. Condimentos sugeridos: hierbas, especias,

estilo cajún o criollo, chile

en polvo.

Croquetas de maíz “hush puppies”

Rinde aproximadamente 20-30

1 1/2	Aceite para freír
1 1/2	taza (180 g) de harina de maíz
1/2	cucharada de sal
1/4	cucharadita de bicarbonato
	de sodio
1/4	taza (15 g) de cebolleta (“green onion”) o cebolla blanca finamente picada
1/4	taza (60 g) de suero de leche (“buttermilk”)
1/3	taza (80 ml) de agua

Calentar el aceite a 375 °F (190 °C).

Mientras está calentando, preparar la masa.

Revolver la harina de maíz, la sal y

el bicarbonato, en un tazón mediano.

Agregar la cebolla. Agregar el suero de

leche y el agua y revolver ligeramente,

¡justo hasta incorporar

los ingredientes.

Echar cuidadosamente cucharadas de la

mezcla en el aceite y freír hasta dorarse,

voltéando una vez con una espumadera.

Retirar del aceite. Colocar sobre varias

capas de papel absorbente para absorber el exceso de aceite. Servir inmediatamente.

Tiras de pollo crujientes

Rinde 6 porciones

3	cucharadas de sal kosher
3	cucharadas de azúcar moreno
1	taza (235 ml) de agua hirviendo
12	cutitos de hielo
4	pechugas de pollo, cortadas
1	taza (125 g) de harina común
1/2	cucharadita de sal kosher

Calentar el aceite a 325 °F (160 °C). Cortar las papas en bastones o en rodajas de ¼ pulgada (5 mm) o menos de espesor. Poner las papas cortadas en agua helada para que no ennegrezcan.

2 tazas (250 g) de harina común
1 cucharada de perejil finamente picado
1 cucharadita de ajo en polvo
1 cucharadita de sal kosher
1 cucharadita de pimienta recién molida
2 papas "Russet"
Sal kosher y pimienta recién molida, a gusto
para freír
aceite vegetal o aceite de maní

Rinde aproximadamente 6 porciones

Papas fritas crujientes

Freír 1-1½ taza (200-250 g) de calamares al mismo tiempo. Freír los calamares durante 40-60 segundos, hasta dorarse. No coeer mucho o se pondrían duros. Retirar los calamares del aceite con una espumadera y disponerlos sobre una de las bandejas forradas con papel absorbente. Repetir con el resto de los calamares en el horno durante varios minutos. Sazonar con un poco de sal y servir con salsa marinara.

Colocar la harina, el perejil, el ajo, la sal y la pimienta en una bolsa hermética grande. Colocar un cuarto de los calamares en la bolsa, cerrar y agitar para rebozar completamente los calamares. Asegurarse de que los pedazos no estén pegados. Retirar de la bolsa y disponer sobre una placa para horno forrada con papel film/plástico. Repetir con el resto de los calamares.

Calentar el aceite a 360 °F (180 °C). Precalentar el horno a 500 °F (260 °C). Forrar dos bandejas con papel sulfurizado. Colocar la mitad de las ailtas en la freidora y freír durante 12-15 minutos, hasta dorarse. Retirar del aceite y eliminar el exceso de aceite con papel absorbente. Bañar las ailtas calientes en la salsa picante. Repetir con el resto de las ailtas. Servir caliente con salsa de queso azul y crudités.

Colocar la mitad de las ailtas en la freidora y freír durante 12-15 minutos, hasta dorarse. Retirar del aceite y eliminar el exceso de aceite con papel absorbente. Bañar las ailtas calientes en la salsa picante. Repetir con el resto de las ailtas. Servir caliente con salsa de queso azul y crudités.

NOTA: para preparar "ailtas" que no pican, usar salsa barbacoa o salsa de miel y mostaza en vez de salsa cajún. Para preparar "ailtas" super picantes, añadir salsa picante a la salsa cajún.

Aderozo de queso azul

½ taza (120 ml) de mayonesa
½ taza (120 ml) de crema agria (regular o baja en grasa)
½ taza (70 g) de queso azul desmenuzado
1 cucharadita de ajo finamente picado
¼ taza (15 g) de perejil fresco picado
1-2 cucharadas de cebolla finamente picada
1 cucharada (15 ml) de jugo de limón fresco
2 tazas (475 ml) de leche no láctea (también puede usar leche sin grasa/descremada o semi-descremada)

Mezclar todos los ingredientes. Cubrir y refrigerar por 30 minutos o más antes de servir para combinar los sabores.

Calamares fritos

Rinde aproximadamente 4 porciones

2½ libras (1.1 kg) de calamares limpios
2 tazas (250 g) de harina común
1 cucharada de perejil finamente picado
1 cucharadita de ajo en polvo
1 cucharadita de sal kosher
1 cucharadita de pimienta recién molida

molido
Salsa marinara (para mojar)
Pedazos de limón (para decorar)

Rosquillas fritas ("donuts") de compta de manzana y especias 11

"Alitas" de pollo picantes 11

Aderezo de queso azul 12

Calamares fritos 12

Papas fritas crujientes 12

Burñuelos de maíz "hush puppies" 13

Aros de cebolla en "tempura" de cerveza y hierbas 13

Tiras de pollo crujientes 14

Salsa de mostaza y miel 14

Salsa de mostaza y miel 14

Salsa de mostaza y miel 14

Salsa de mostaza y miel 14

Salsa de mostaza y miel 14

Salsa de mostaza y miel 14

Salsa de mostaza y miel 14

Salsa de mostaza y miel 14

Salsa de mostaza y miel 14

Salsa de mostaza y miel 14

Salsa de mostaza y miel 14

Salsa de mostaza y miel 14

Salsa de mostaza y miel 14

Salsa de mostaza y miel 14

Salsa de mostaza y miel 14

Salsa de mostaza y miel 14

Salsa de mostaza y miel 14

Salsa de mostaza y miel 14

Salsa de mostaza y miel 14

Salsa de mostaza y miel 14

Salsa de mostaza y miel 14

Salsa de mostaza y miel 14

Salsa de mostaza y miel 14

Salsa de mostaza y miel 14

mantea en un tazón grande. Revolver con una batidora de mano, a velocidad baja. Agregar la compta de manzana y los huevos; batir hasta obtener una mezcla homogénea. Agregar la harina, en dos veces, mezclando a velocidad mediana. Cubrir y refrigerar por 1 hora o más. Dividir la masa en dos porciones iguales. Poner una porción sobre una superficie enharinada y espolvorear con harina. Estirar la masa con un rodillo hasta que tenga ½ pulgada (1.5 cm) de espesor. Cortar 12 rosquillas con un cortador de rosquillas enharinado y disponerlas sobre una placa para horno forrada con papel encerado. Repetir con el resto de la masa. Volver a estirar la masa restante y repetir. Calentar el aceite a 375° F (190° C). Colocar, con mucho cuidado, no más de 3 rosquillas en el aceite caliente. Freír por 1½-2 minutos por lado (vltrear con una espumadera). Retirar del aceite y colocar sobre varias capas de papel absorbente. Eliminar el exceso de aceite con papel absorbente y esparcir la cantidad deseada de azúcar encima.

"Alitas" de pollo picantes

Rinde 24 porciones

12 alitas de pollo

¾ taza (115 g) de mantequilla sin

sal, derretida

5-8 cucharadas (70-120 ml) de salsa

picante de Luisiana (cajún)

1 cucharada de vinagre de sidra

de manzana

Acéite para freír

Salsa para mojar de queso azul

(receta en la página 12), pastoncitos

de apio, zanahoria y calabacín

crudos

Cortar las puntas de las alas y tirar (o

reservar para preparar caldo de pollo),

Cortar cada ala al nivel de la articulación,

para conseguir dos "alitas". Enjuagar

y secar bien. Revolver la mantequilla

con un tazón grande.

Calentar el aceite a 375° F (190° C).

Rinde aproximadamente 24 porciones

3¼ tazas (415 g) de harina común

1 cucharadita de polvo de hornear

½ cucharadita de sal

¾ cucharadita de canela en polvo

¼ cucharadita de pimienta de Jamaica

en polvo

1/8 cucharadita de nuez moscada

recién rallada

¾ taza (150 g) de azúcar granulada

2 cucharadas (30 g) de manteca

vegetal

1 taza (235 ml) de compta

de manzana

2 nuevos grandes

Harina para espolvorear

Acéite para freír

Azúcar glasé o granulada para

espolvorear

Poner la harina, el polvo de hornear, la

mezclar y reservar. Poner el azúcar y la

TEMPERATURA Y TIEMPO DE FRITURA – Alimentos frescos

Los alimentos frescos son alimentos que no han sido precocidos. Pueden estar frescos o congelados. Lea la etiqueta en los paquetes para cerciorarse que los alimentos NO están precocidos. Si están congelados, no los descongele antes de freírlos. Si están cubiertos con hielo, séquelos con un papel absorbente antes de freírlos para evitar las salpicaduras. El tiempo de fritura puede variar según la temperatura de los alimentos, la cantidad y el tamaño de los pedazos. Para obtener resultados óptimos, fría pocos pedazos a la vez y asegúrese de que los pedazos sean uniformes en tamaño. Verifique el grado de cocción de los alimentos después del tiempo más corto y siga friéndolos si es necesario.

Calor bajo (325 ° F/160 ° C)

Muslos de pavo (con hueso y piel)	20-22 min
Pechuga de pavo (piel abajo)	30-35 min
Berenjena empanizada	5-6 min
Hongo Portobello empanizado	4½-5 min

Calor mediano (350 ° F/180 ° C)

“Nuggets” de pollo congelados	5½-6 min
Trocitos de pollo empanizados	3½-4½ min
Pechuga de pollo empanizada (deshuesada)	5½-6 min
Chuletas de cerdo empanizadas	7½-8 min
Rollitos chinos	5 min
Chimichangas	7-7½ min
Camarones grandes	1-2 min

Calor alto (375 ° F/190 ° C)

Chips de papas rojas	2-3 min
Chips de nanes	2-2½ min
Papas fritas gruesas con piel	5-6 min
Papas fritas finas	3-3½ min
Papas fritas gruesas	3½-4 min
“Rizos” de papas fritas	4½-5 min

Croquetas de mero	2-3 min
Filetes de mero	3-3½ min
Paltos de Mozzarella	2-3 min
Camarones grandes o gambas	1-2 min

Calor alto (375 ° F/190 ° C)

Camarones pequeños	1-2 min
Camarones medianos	2-2½ min
Champiñones	2½-3 min
Pedazos de pollo	7-8 min
“Nuggets” de pollo	3-4 min
Trocitos de pollo	5½-6 min

Calor mediano (350 ° F/180 ° C)

Aros de cebolla	5-6 min
---------------------------	---------

Calor bajo (325 ° F/160 ° C)

Los alimentos preparados a continuación son alimentos que han sido empanizados y precocidos antes de ser empacutados. Si están congelados, no los descongele antes de freírlos. Si están cubiertos con hielo, séquelos antes de freírlos. El tiempo de fritura puede variar. Para obtener resultados óptimos, fría pocos pedazos a la vez y asegúrese de que los pedazos sean uniformes en tamaño. Verifique el grado de cocción de los alimentos después del tiempo más corto y siga freíendolos si fuera necesario.

preparados

TEMPERATURA Y TIEMPO DE FRITURA – Alimentos

demasiado aceite; si está muy alta, la masa no se freirá por dentro. Fría pocos alimentos a la vez; esto mantendrá la temperatura del aceite y permitirá voltear los alimentos fácilmente. Voltee los alimentos cuando lleguen a la superficie del aceite, teniendo cuidado de no perforarlos. Retire los alimentos fritos de la freidora, permita que se escurren por unos segundos, y luego póngalos sobre papel absorbente para absorber el exceso de grasa.

Caliente al aceite a 375 ° F (190 ° C), a menos que la receta especifique otra temperatura. Para averiguar si el aceite está listo, eche un trocito de pan adentro; este debería dorarse en aproximadamente 60 segundos. La temperatura del aceite es muy importante. Si no está lo suficientemente caliente, la masa absorberá

CONSEJOS PARA FREIR PAN

de reiniciarla, comuníquese con un centro de servicio autorizado.

CONSEJOS Y SUGERENCIAS

- Para freír alimentos rebozados en mezcla líquida, baje la cesta en el aceite antes de llenarla. Coloque los alimentos en el aceite usando pinzas. Tras freír los alimentos, aice la cesta para retirarlos del aceite.
- No sobrellene la cesta; esto ayudará a mantener la temperatura del aceite constante y logrará mejores resultados.
- Fría alimentos o pedazos uniformes en tamaño; de esta manera, estarán listos al mismo tiempo. Para evitar las salpicaduras de aceite, seque los alimentos mojados con papel absorbente y elimine los cristales de hielo que a menudo cubren los alimentos congelados antes de ponerlos en la freidora. No se necesita cambiar el aceite después de cada uso. Por lo general, los alimentos ricos en proteínas, como el pollo, la carne o el pescado suelen contaminar más el aceite. Si utiliza la freidora principalmente para freír alimentos como papas, podrá usar el mismo aceite 4–6 veces seguidas.
- Filtre el aceite frío con un colador forrado con una estopilla. Agarre la cuba por las asas y vacíe el aceite en el colador; la estopilla filtrará el aceite, eliminando las partículas de alimentos, las migajas y las impurezas. Puede repetir seguramente este proceso 3–4 veces sin que el aceite se deteriore.
- Siempre utilice el nivel de temperatura recomendado en la receta. Si la temperatura está muy baja, los alimentos absorberán mucho aceite. Si la temperatura está muy alta, los alimentos no serán bien fritos por dentro.
- Ponga los alimentos frescos en la cesta un pedazo a la vez.

ALIMENTOS CONGELADOS

- Para obtener resultados óptimos, no disminución de la temperatura del aceite. Sobrellene la cesta.
 - Siempre siga las instrucciones del paquete. Elimine los cristales de hielo que a menudo cubren los alimentos congelados antes de freírlos. Sumerja la cesta en el aceite muy lentamente para evitar su ebullición.
- ### CÓMO FILTRAR Y CAMBIAR EL ACEITE
- **ADVERTENCIA:** siempre desenchufe el aparato antes de limpiarlo. Permítale que el aceite se enfríe completamente (durante aproximadamente 2 horas) antes de limpiar o guardar la freidora. Nunca sumerja el panel de control, el cable o la clavija en agua u otro líquido.
 - Puede volver a usar el aceite después del primer uso. Por lo general, los alimentos ricos en proteínas, como el pollo, la carne o el pescado suelen contaminar más el aceite. Si utiliza la freidora principalmente para freír alimentos como papas, podrá usar el mismo aceite 4–6 veces seguidas.
 - Filtre el aceite frío con un colador forrado con una estopilla. Agarre la cuba por las asas y vacíe el aceite en el colador; la estopilla filtrará el aceite, eliminando las partículas de alimentos, las migajas y las impurezas. Puede repetir seguramente este proceso 3–4 veces sin que el aceite se deteriore.
 - El aceite usado se podrá guardar en un recipiente hermético durante hasta un mes, en un lugar fresco y oscuro. También se puede refrigerar o congelar, para que dure varios meses. Sin embargo, no utilice el mismo aceite por más de 6 meses. **NO GUARDE EL ACEITE EN LA CUBA DE LA FREIDORA.** Agregue un poco de aceite fresco cada vez que fría. Cualquiera otro servicio debe ser realizado por un técnico autorizado.

LIMPIEZA Y MANTENIMIENTO

1. Siempre desconecte el cable y permita que el aceite se enfríe antes de limpiar el aparato.
2. Saque la tapa.
3. Aice la cesta.
4. Nunca sumerja el panel de control en agua u otro líquido. Limpie el panel de control y la superficie externa de la resistencia con un paño ligeramente humedecido con agua o una solución de detergente suave con agua.
5. Filtre el aceite frío con un colador forrado con una estopilla. Agarre la cuba por las asas y álcela. Vacíe el aceite en el colador; la estopilla filtrará el aceite, eliminando las partículas de alimentos, las migajas y las impurezas. Puede repetir seguramente este proceso 3-4 veces sin que el aceite se deteriore.
6. Caliente aceite en la cesta antes de poner esta en el lavavajillas por primera vez. La tapa y la cuba son aptas para lavavajillas. Sequé todas las piezas cuidadosamente después de lavarlas y antes de volver a ensamblar el aparato.
7. Lave el cuerpo de acero inoxidable a mano, en agua jabonosa tibia.
8. Asegúrese de que la tapa y la cuba estén completamente secas antes de usar el aparato.
9. Vuelva a instalar la cuba, la resistencia, la cesta y la tapa tras lavar y secarlas. Nota: la freidora no se pondrá en marcha a menos que el panel de control esté debidamente instalado.
10. **Advertencia: tenga cuidado al lavar la carcasa; la parte de abajo tiene aristas vivas.**
11. El mango de la cesta puede doblarse para caber adentro de la misma.
12. Consejo: se le hará más fácil limpiar el panel de control con un paño de microfibra (disponible en la mayoría de las tiendas de artículos de cocina).

MECANISMOS DE SEGURIDAD

NOTA: las manchas de aceite sobre la resistencia y la cuba pueden eliminarse fácilmente con un estropajo de plástico.

Mantenimiento: Cualquier otro servicio debe ser realizado por un técnico autorizado.

Para su tranquilidad, la freidora de 3,8 L

Cuisinart® viene equipada con los mecanismos de seguridad siguientes:

- **Seguro de encendido** – La freidora no se pondrá en marcha a menos que el panel de control esté debidamente instalado.
- **Conector magnético** – El conector magnético ha sido diseñado para desconectarse rápidamente con un simple tirón.
- **Dispositivo de protección contra sobrecarga** – Apaga automáticamente el aparato en caso de sobrecalentamiento.

Si esto ocurre, desenchufe la freidora y permita que el aceite se enfríe. Retire el panel de control y la resistencia.



PRECAUCIÓN: la resistencia estará muy

caliente; permita que se enfríe completamente antes de retirarla. El botón de reinicio se encuentra sobre el panel de control, bajo los controles. Oprima el botón de reinicio con un palillo u otro objeto largo y fino, y luego vuelva a instalar el panel de control.

NOTA: el aparato no se pondrá en marcha a menos que el panel de control esté debidamente instalado. Enchufe la freidora para seguir friendo. Si la freidora no se pusiera en marcha después

ANTES DEL PRIMER USO

Retire el aparato del material de embalaje y quite las etiquetas promocionales

pegadas a su cuerpo. Asegúrese de que todas las piezas descritas en la sección

Piezas y características estén incluidas.

Le aconsejamos que guarde el material de

embalaje.

Antes de usar el aparato por primera vez,

limpielo con un paño ligeramente humedecido

para quitar el polvo acumulado durante el

transporte. Lave cuidadosamente la cuba,

la tapa y la cesta. Nota: la tapa y la cesta

son aptas para lavavajillas. Nunca sumerja el

aparato en agua, ni permita que agua ingrese

en su interior.

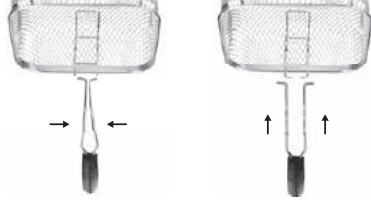
INSTRUCCIONES DE OPERACION

1. Retire la tapa.

2. Retire la cesta de la cuba.

Instale el mango de la cesta, según se

describe a continuación.



3. Instale el panel de control sobre la carcasa

de acero inoxidable, según se enseña a

continuación.

NOTA: la freidora no se pondrá en marcha

a menos que el panel de control esté

debidamente instalado.



4. Vierta aproximadamente 1 galón (3,8 litros) de aceite vegetal de buena calidad (maíz, colza, soja o maní) en la cuba. El nivel de aceite debe hallarse siempre dentro de las marcas de referencia mínima y máxima. **NO SOBRELLENE NI LLENE DE MENOS LA CUBA. NO COMBINE ACEITES.**

5. Cierre la tapa.

6. Conecte el cable a la freidora, y luego a la

toma de corriente.

7. La luz de encendido se encenderá.

8. Elija el nivel de temperatura deseado. La

luz de listo (verde) se encenderá cuando el

aceite alcance la temperatura óptima para

freír.

9. Aice la cesta y cuelguela en el gancho.

Ponga los alimentos en la cesta. No pase

la línea "MAX". Baje la cesta en el aceite y

cierre la tapa de la freidora.

PRECAUCIÓN: el aceite está

extremadamente caliente; tenga sumo

cuidado al colocar los alimentos en este.

10. Si desea, programe el temporizador (hasta

30 minutos).

11. El temporizador sonará al final del tiempo

programado. Abra la tapa y aice la cesta

para averiguar si los alimentos están fritos.

Si los alimentos están listos, cuelgue la

cesta del gancho. Permita que el aceite

se escurra completamente antes de retirar

la cesta. Retire los alimentos de la cesta

y dóngalos sobre papel absorbente para

absorber el exceso de aceite.

NOTA: para mantener el aceite limpio,

le recomendamos que no sazone los

alimentos hasta después de haberlos

sacado de la freidora.

ADVERTENCIA: el temporizador no

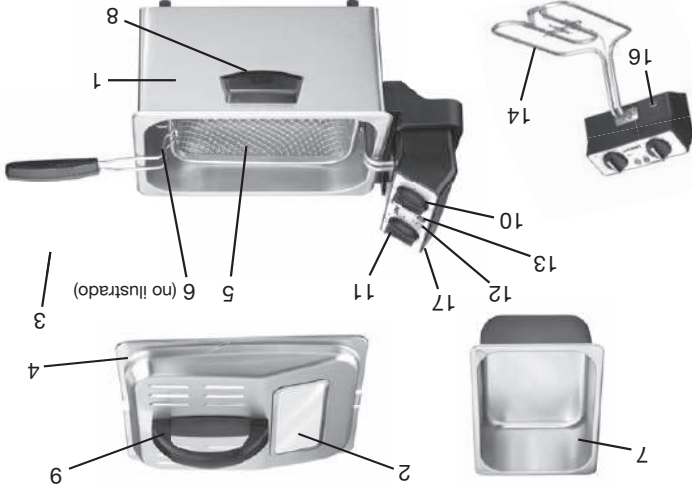
apagará el aparato.

12. Para apagar el aparato, ponga el control

de temperatura en la posición "STANDBY".

Desconecte el cable de la toma de

corriente, y luego del aparato.



Temperatura y tiempo de fritura	9
Recetas	11
Garantía	15
PIEZAS Y CARACTERÍSTICAS	
1. Carcasa de acero inoxidable	
2. Ventanilla transparente	
3. Mango plegable	
4. Tapa	
5. Cesta	
6. Gancho para colgar la cesta (no ilustrado)	
7. Cuba	
8. Asas	
9. Asa de la tapa	
10. Temporizador	
11. Control de temperatura	
12. Luz de listo	
13. Luz de encendido	
14. Resistencia/Elemento calentador	
15. Cable con conector magnético (no ilustrado)	
16. Botón de reinicio	
17. Panel de control	
18. Cambio del aceite	8
Consejos útiles	8
Mecanismos de seguridad	7
Limpeza y mantenimiento	7
Instrucciones de operación	6
Antes del primer uso	6
Piezas y características	5
Consejos de seguridad importantes	4
Medidas de seguridad importantes	3
ÍNDICE	
PRECAUCIÓN: para no lastimar la superficie de la mesa o de la encimera, le recomendamos que coloque la freidora encima de un salvamante resistente al calor. Nunca coloque el aparato sobre alfombra, muebles u otros materiales inflamables.	
8. No utilice aceite sólido/hidrogenado, manteca de cerdo, manteca vegetal, aceite de semilla de uva o aceite de oliva en esta freidora. NO COMBINE ACEITES , ya que varios tipos de aceite pueden tener puntos de humeo diferentes. UTILICE ACEITE DE BUENA CALIDAD con punto de humeo de 420° F o más.	
o de la encimera, para evitar que niños la puedan jalar o hacer caer.	

conector magnético ha sido diseñado para desconectarse rápidamente con un simple tirón.

NOTA: el conector se podrá conectar de una sola manera.



El lado marcado "This side up" debe apuntar hacia arriba. Para reducir el riesgo de electrocución, el cable está dotado de una clavija polarizada. Esta clavija se podrá enchufar de una sola manera en la toma de corriente polarizada. Si no entrara en la toma de corriente, invírtela. Si aun no entra completamente, comuníquese con un electricista. No intente modificarla.

Siempre conecte el cable al aparato antes de enchufar este en la toma de corriente. Siempre apague el aparato ("OFF") antes de desconectarlo.

USO DE EXTENSIONES

PRECAUCIÓN: el cable provisto con este aparato es corto, para reducir el peligro de que alguien se enganche o tropiece con un cable más largo.

USO DE EXTENSIONES

No se recomienda utilizar una extensión eléctrica con este aparato.

RIESGO DE SOBRECARGA ELÉCTRICA

CONSEJOS DE SEGURIDAD IMPORTANTES

Conectar varios aparatos sobre el mismo circuito eléctrico puede provocar una sobrecarga eléctrica. Le recomendamos que conecte la freidora sobre un circuito eléctrico separado. Si no halla un circuito separado, o si no sabe por qué ocurre una sobrecarga eléctrica, comuníquese con un electricista. Conecte el cable a una toma de corriente de 120 V solamente; no utilice el aparato con un convertidor de voltaje.

1. Mantenga la tapa cerrada durante el uso. Sirvase del mango para levantar y bajar la cesta. Después de levantar la cesta, cueiguela del gancho y deje que el aceite se escurra completamente antes de vaciar la cesta.

2. TENGA CUIDADO AL ABRIR LA TAPA PORQUE SALDRÁ VAPOR CALIENTE.

3. Sequé los alimentos mojados con papel absorbente antes de freírlos. Elimine los cristales de hielo que a veces cubren los alimentos congelados. Mantenga la tapa cerrada durante el uso. Sumerja la cesta en el aceite muy lentamente para evitar las salpicaduras.

4. Coloque el aparato a una distancia mínima de 4 pulgadas (10 cm) de los muros y otros objetos. No ponga ningún objeto encima del aparato mientras está funcionando.

5. El nivel de aceite debe hallarse siempre dentro de las marcas de referencia mínima y máxima. No llene el depósito/la cuba más allá de la línea de llenado máximo "MAX". No utilice la freidora sin aceite o con una cantidad insuficiente de aceite. Nunca vierta aceite en la freidora cuando la cuba está caliente.

6. Cerciórese de que la cuba y la tapa estén completamente secas antes de encender el aparato.

7. Mantenga la freidora fuera del alcance de los niños y alejela del borde de la mesa

PARA USO DOMESTICO SOLAMENTE

GUARDE ESTAS INSTRUCCIONES

14. El aparato se apagará automáticamente después de 12 minutos si la cuba está vacía. Si esto ocurre, utilice el botón de reinicio para reiniciar el aparato.
15. Si el aparato no funciona después de reiniciarlo, comuníquese con un centro de servicio autorizado.
16. Asegúrese de que el mango de la cesta esté seguramente sujeto a esta (véase las instrucciones de ensamblaje).
17. No utilice el aparato para ningún otro fin que no sea el indicado.
18. Asegúrese regularmente de que los tornillos y las tuercas estén bien apretados. De no ser así, aprételos. PRECAUCIÓN: no apriete demasiado los tornillos ni las tuercas; esto podría dañar el mango o los pies del aparato.
19. No utilice el aparato durante más de 60 minutos dentro de un período de 2 horas.
20. No haga funcionar el aparato debajo o dentro de un armario/gabinete. Siempre desconecte el aparato antes de guardarlo en un armario/gabinete.
- Dejar el aparato conectado presenta un riesgo de incendio, especialmente si esta toca las paredes o la puerta del armario/gabinete cuando cierra.

CABLE CON CONECTOR MAGNÉTICO Y ENCHUFE POLARIZADO

El cable de este aparato está dotado de un conector magnético y una clavija polarizada (una pata es más ancha que otra). El

Al usar aparatos eléctricos, siempre debe tomar precauciones básicas de seguridad, incluso las siguientes:

1. LEA TODAS LAS INSTRUCCIONES.

2. Desconecte el aparato cuando no está en uso y antes de limpiarlo. Permita que se enfríe antes de instalar/sacar piezas y antes de limpiarlo.
3. No toque las superficies calientes; utilice el mango o las perillas.
4. Para reducir el riesgo de electrocución, no ponga el aparato, el panel de control, el cable o la clavija en agua u otro líquido.
5. Este aparato no debe ser usado por o cerca de niños o personas con ciertas discapacidades.
6. Nunca descuide ni abandone el aparato mientras está conectado.
7. Siempre conecte el cable al aparato antes de conectarlo a la toma de corriente.
8. No utilice este aparato si el cable o la clavija estuviesen dañados, después de que hubiese funcionado mal o que se hubiese caído o si estuviese dañado; regrese a un centro de servicio autorizado para su revisión, reparación o ajuste.
9. El uso de accesorios no recomendados o provistos por el fabricante presenta un riesgo de incendio, electrocución o heridas.
10. No lo utilice en exteriores.
11. No permita que el cable cuelgue del borde de la encimera o de la mesa, ni que haga contacto con superficies calientes.
12. No coloque el aparato sobre o cerca de un quemador a gas o una hornilla eléctrica caliente, ni en un horno caliente.
13. Tenga sumo cuidado al mover el aparato cuando contenga aceite caliente.

MEDIDAS DE SEGURIDAD IMPORTANTES

Para su seguridad y para disfrutar plenamente de este producto, siempre lea cuidadosamente las instrucciones antes de usarlo.

CDF-200

Freidora de 3.8 L



Cuisinart®
INSTRUCCIONES Y
LIBRO DE RECETAS