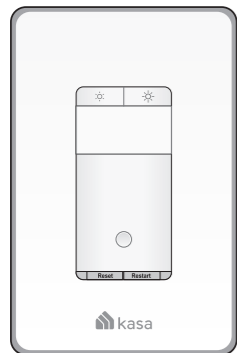


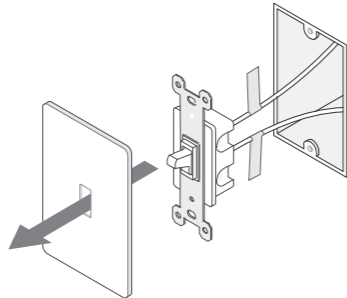
## Product Introduction

Built-in motion and ambient light sensors work together to realize hands-free control. Kasa smart dimmer switch turns on and dims the lights automatically, saving you effort and electricity bills.



## Wire Your Switch

- 1) **Turn off** the circuit breaker. Then remove the old wallplate of the wall switch and label the **Ground** and **Neutral** wires.



**Ground:** Usually green or copper.

**Neutral:** Usually white and not connected to a dumb switch.

**Line:** Usually black and coming from the circuit breaker.

**Load:** Usually black. One end is connected to the light.

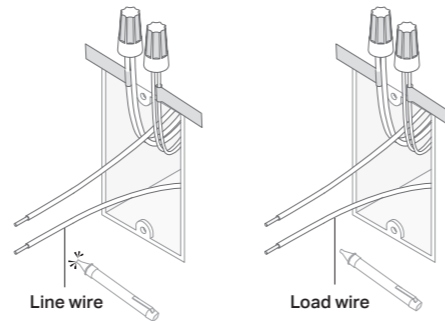
If you are unsure, consult a qualified electrician.

- 2) Disconnect the wires from the old switch.

- 3) Identify **Line** and **Load** wires.

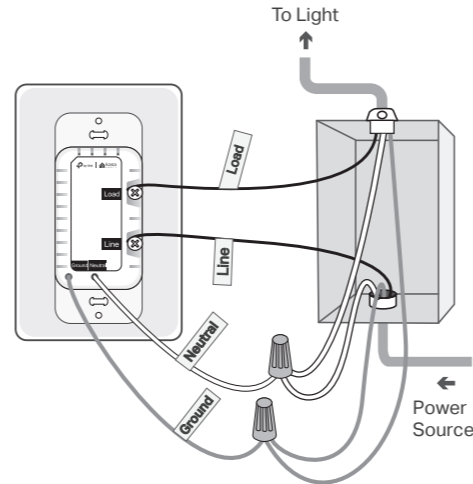
- 1) **Turn on** the circuit breaker. Use a voltage detector to identify the energized wire (**Line wire**).

⚠ Take care to avoid electric shocks.

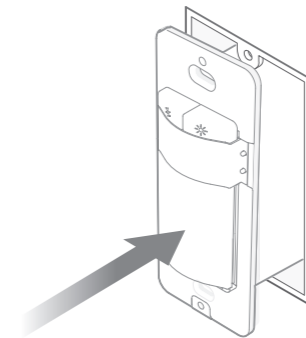


- 2) **Turn off** the circuit breaker. Label the **Line** and **Load** wires.

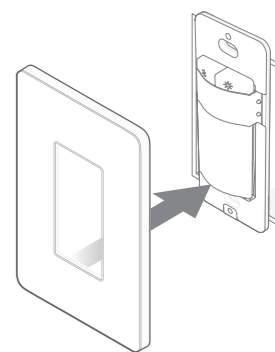
- 4) Connect the wires to the smart dimmer switch as shown below.



- 5) Line up the switch with the mounting holes. Secure it with screws.



- 6) Attach the wallplate. Then the wiring is finished.





## Need some help?

Visit [www.tp-link.com/support](http://www.tp-link.com/support)

for technical support, user guides, FAQs, warranty & more

## Set Up Your Switch

### STEP 1 DOWNLOAD APP

Get the **Kasa Smart** app from the App Store or Google Play.



OR

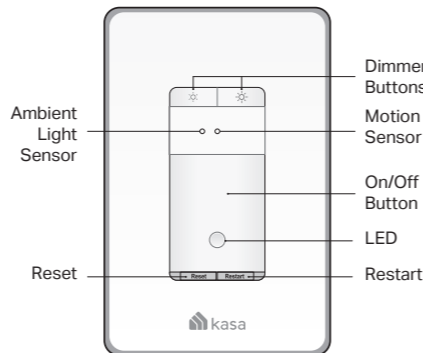


### STEP 2 SET UP

Tap the **+** button in the app and select **Smart Switches**. Then follow the step-by-step app instructions to set up your smart dimmer switch.



## Appearance



## Button Explanations

|         |  |
|---------|--|
|         | Decrease or increase the brightness.   |
| Reset   | Press and hold for about <b>5s</b> to reset Wi-Fi while keeping other settings.<br><br>Press and hold for about <b>10s</b> to restore your switch to factory default settings. |
| Restart | Press to restart your switch.  |

## LED Status

|                        |                          |
|------------------------|--------------------------|
| Flashing amber & green | Ready for setup.         |
| Flashing green         | Connecting to Wi-Fi.     |
| Stay green for 30s     | Connected to Wi-Fi.      |
| Solid red              | Disconnected from Wi-Fi. |
| Flashing amber         | Device resetting.        |
| White                  | Light fixture is off.    |

## Specifications

Rating: 120V~ 60Hz  
 Load: 300W Incandescent, 150W LED  
 Operation temperature: 0~40°C  
 Method of mounting included: Independently mounted (Vertically position only);  
 Operating control, Type 1 action  
 Pollution Degree 2, Rated Impulse Voltage 2500 V  
 Software Class A, NEMA Type 1

## CAUTION

High Voltage-Disconnect power supply before servicing

### Safety Notice

- Before installing, servicing or removing the switch, read and follow all safety precautions including the following:
- CAUTION – Risk of Electric Shock – More than one disconnect switch may be required to de-energize the equipment before servicing. A circuit breaker which disconnects the Line and Neutral conductor simultaneously is suitable. Ensure power is off at the circuit breaker before removing or installing any switch. Use a non-contact voltage tester to ensure the power is off.
  - The Smart Switch must be installed and used in accordance with the National Electric Code (NEC) or your local electrical code. If you are unfamiliar with these codes and requirements, or are uncomfortable performing the installation, consult a qualified electrician.
  - Do not install the Smart Switch with wet hands or when standing on wet or damp surfaces.
  - Install only in a suitable UL Listed outlet box (suitable dimensions: H > 2.95 in./75 mm, W > 1.81 in./46 mm, D > 2 in./51 mm).
  - Tighten terminal screws to 13 lbf-in.



## Quick Start Guide

### Smart Wi-Fi Dimmer Switch

\*Images may differ from your actual product.