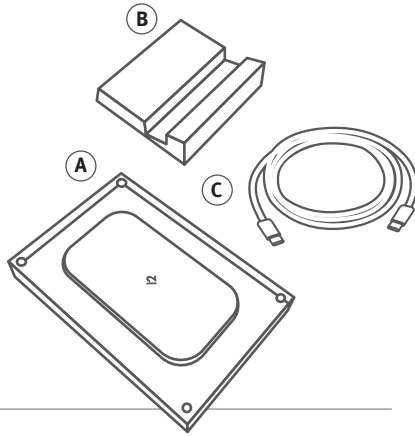


Getting started with PowerPic mod

What's in the Box

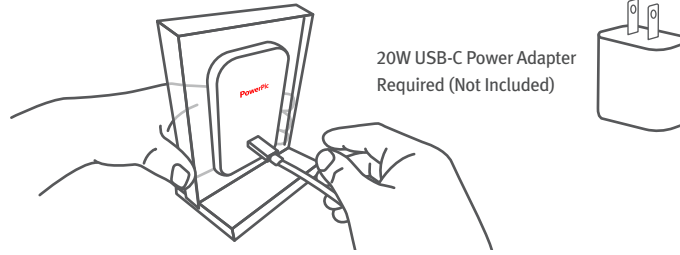
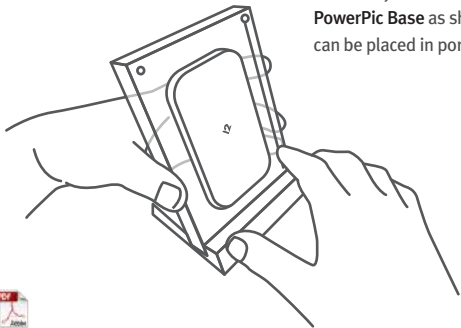
- A** PowerPic Charger
- B** PowerPic Base
- C** 5ft USB-C Power Cable



Setting up your PowerPic mod

PowerPic mod looks great by itself - but if you would like to add a graphic or pic first, see "Adding a photo or artwork" first, then return to the setup

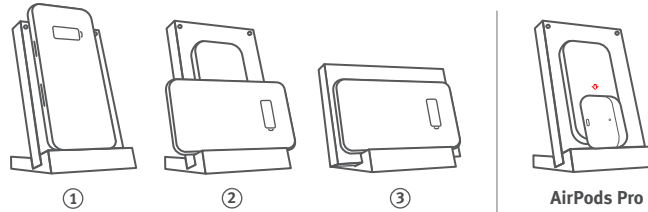
1. Gently insert the **PowerPic Charger** into the **PowerPic Base** as shown. The **PowerPic Charger** can be placed in portrait or landscape positions



2. Plug the **5ft USB-C Power Cable** into the **PowerPic Charger** and then into any **20W USB-C charger** (USB-C charger not included).

Charging options & positions

PowerPic mod can charge most mobile phones in three optional positions: 1) frame portrait/phone portrait 2) frame portrait/phone landscape 3) frame landscape/phone landscape. You can even charge AirPods Pro by setting it upright on PowerPic mod.



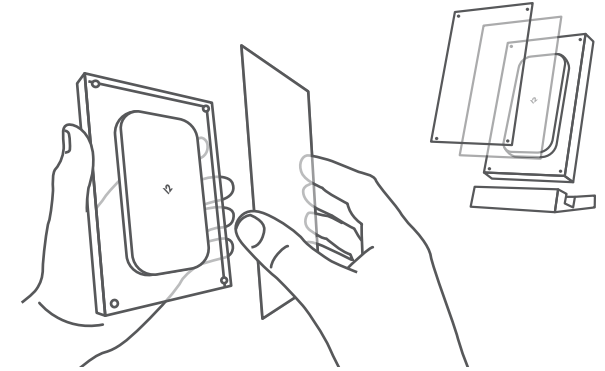
PowerPic status light

- device charging
- device fully charged
- foreign object detected
- insufficient power to PowerPic

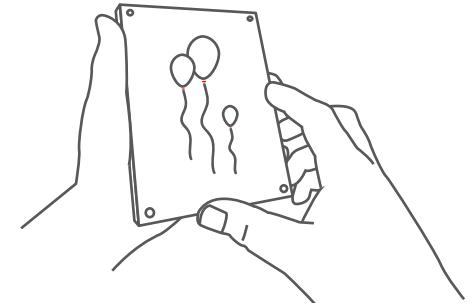


A status light can be found on both sides of PowerPic mod.

Adding a photo or artwork



1. Gently pull the **PowerPic Charger** front plate from its magnetic fasteners.



2. Place your 4x6 image or pattern onto the **PowerPic Charger** and then return the front plate to its magnetic fasteners.

Additional notes & specs

The foreign object detection light alerts you to objects between your device and PowerPic that could affect charging. This helps to prevent the charger from emitting unnecessary power and heat that could damage your smartphone and other heat-sensitive items.

To prevent overheating and damage to your PowerPic or device:

- Do not place any foreign objects, such as metal or magnets, between the phone and PowerPic. This may interfere with charging, causing overheating or damage to the device.
- Do not place any magnetic stripes or IC chip card on the PowerPic. This may cause damage.
- Do not cover the charging base with any material or cloth. This may interfere with charging performance.
- Do not let dust accumulate on the charging stand and keep the surface clean.

FCC ID Statement

This equipment complies with Part 15 of the FCC Rules.

Operation is subject to the following two conditions:

This device may not cause harmful interference, and

This device must accept any interference received, including interference that may cause undesired operation.

Any changes or modifications not expressly approved by the party responsible for compliance could void the user's authority to operate this equipment.

IC Statement

Disclaimer:

Operation is subject to the following two conditions:

This device may not cause interference, and

This device must accept any interference, including interference that may cause undesired operation of the device.

PowerPic Charging Plate Tech Specs

Input connector: USB Type C

Note: Included cable is 1.5m USB Type C to USB Type C

Input: 5V/2A 9V/1.67A

Output: 5W/7.5W/10W

Operation Frequency: 110~205 KHZ

Modulation type: CVS

Antenna Type: Coil Antenna

Charging efficiency: ≥72%



FCC ID: 2AREB-12-2019

IC ID: 24385-12-2019

PowerPic mod

owner's guide

twelve south