

M A C H

by eufy Clean

V1

Owner's Manual



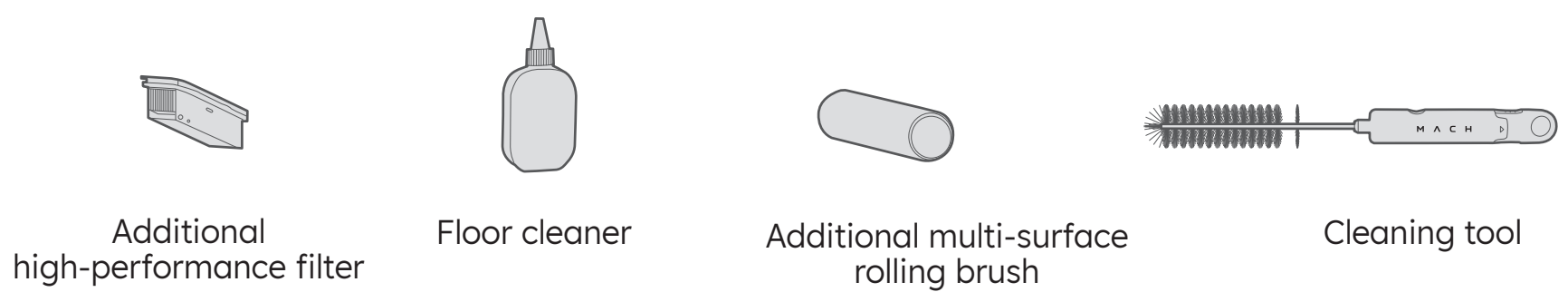
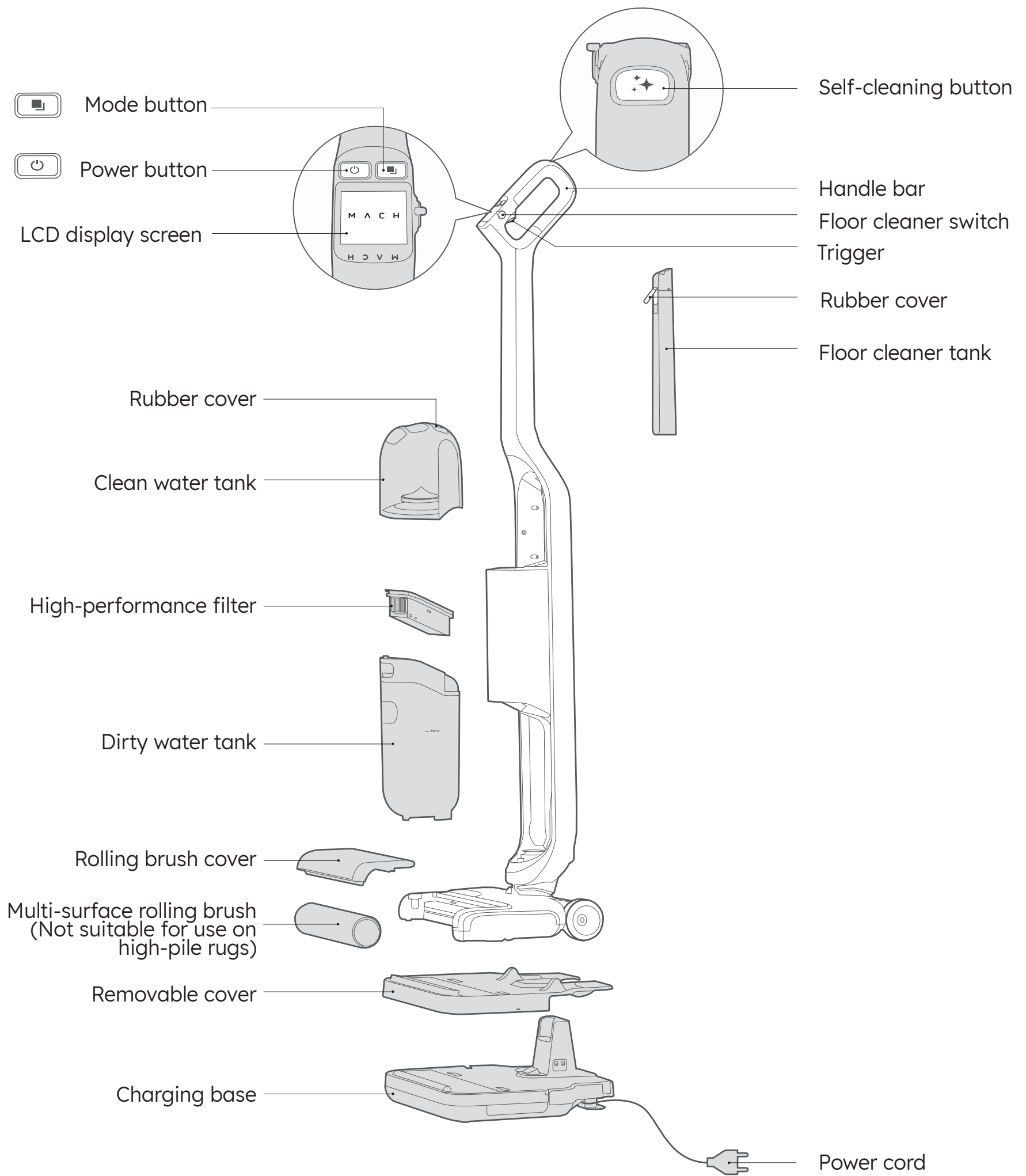
English 01

Español 19



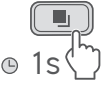






Table of Contents

Overview	02
Button Control	03
Charging	04
Turning On.....	05
Initial Setup	
Using the MACH Vacuum Cleaner	06
Add Water and Floor Cleaner	
Start / Stop cleaning	
LCD Screen Guide.....	09
Selecting a Cleaning Mode	10
Using the Trigger	10
Using the Menu	11
Status Light Indication	12
Turning Voice Prompts On or Off	12
Maintenance	13
Self-Cleaning and Self-Drying	
Drying of the Rolling Brush	
Clean the Dirty Water Tank	
Clean the Rolling Brush Manually	
Clean the High-Performance Filter	
Clean the Removable Cover	
Troubleshooting	17
Specifications	17
Customer Service	18

Overview

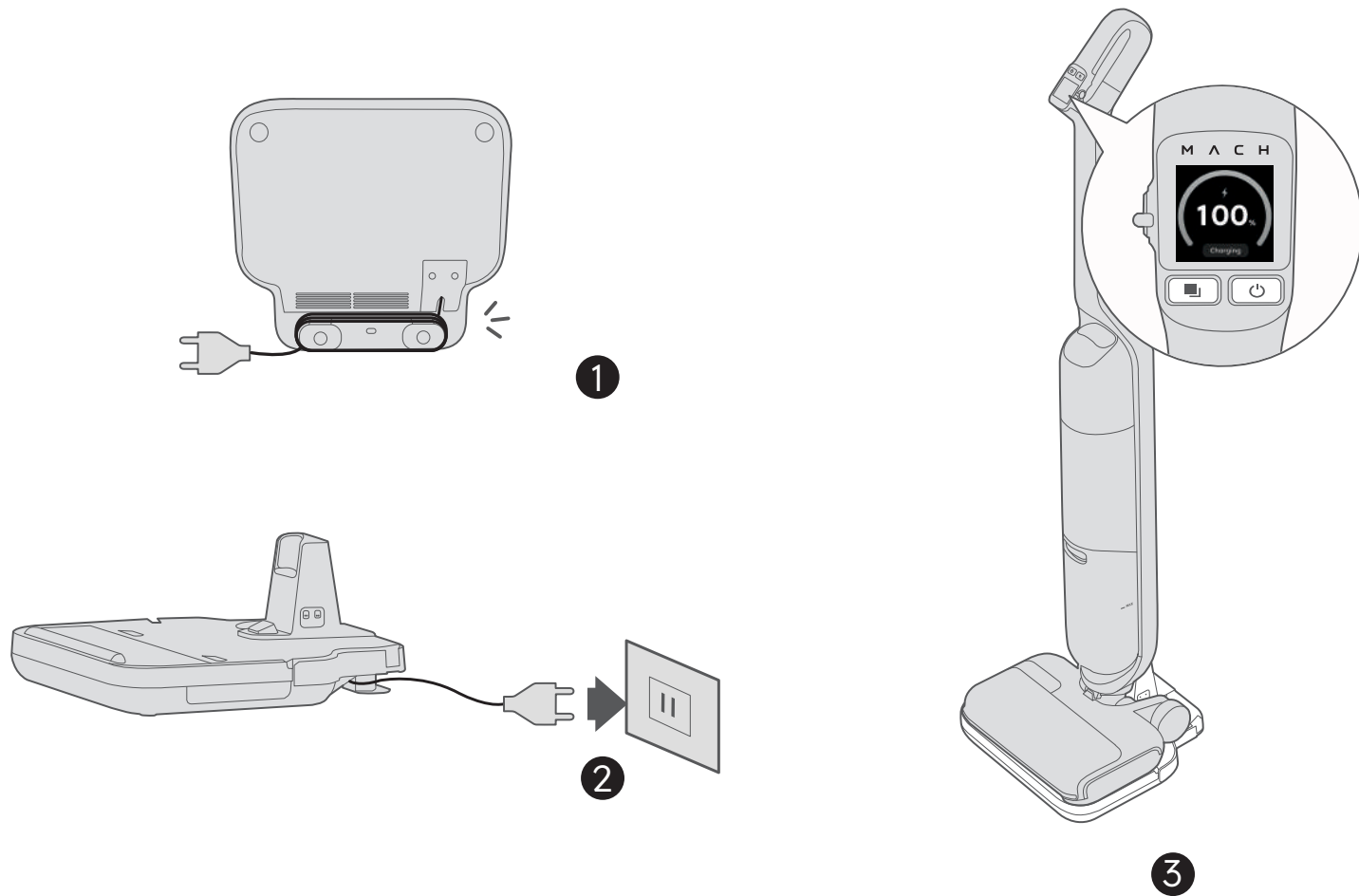


Button Control

	Action	Function
	Press and hold the power button for 1 second	<ul style="list-style-type: none"> • Turn on or off
	Press the power button	<ul style="list-style-type: none"> • During cleaning, pause or resume current task • During menu setting, skip to the previous menu option
	Press and hold the mode button for 1 second	<ul style="list-style-type: none"> • Enter menu setting mode
	Press the mode button	<ul style="list-style-type: none"> • Select a mode <ul style="list-style-type: none"> • Smart mode (default) • Suction mode • During menu setting, skip to the next menu option
	Press the self-cleaning button	<ul style="list-style-type: none"> • Start self-cleaning and self-drying
	Press and hold the self-cleaning button for 2 seconds	<ul style="list-style-type: none"> • Turn voice prompts on or off
	Hold the trigger	<ul style="list-style-type: none"> • In smart mode, activate more powerful cleaning • In suction mode, activate more powerful suction
	Hold the trigger for 2 seconds (when placed on the charging base)	<ul style="list-style-type: none"> • Dry the rolling brush
	Press the trigger	<ul style="list-style-type: none"> • During menu setting, confirm a selection
	Turn anticlockwise	Turn the floor cleaner switch on
	Turn clockwise	Turn the floor cleaner switch off

Charging

Before first use, fully charge the MACH Vacuum Cleaner for 4 hours.

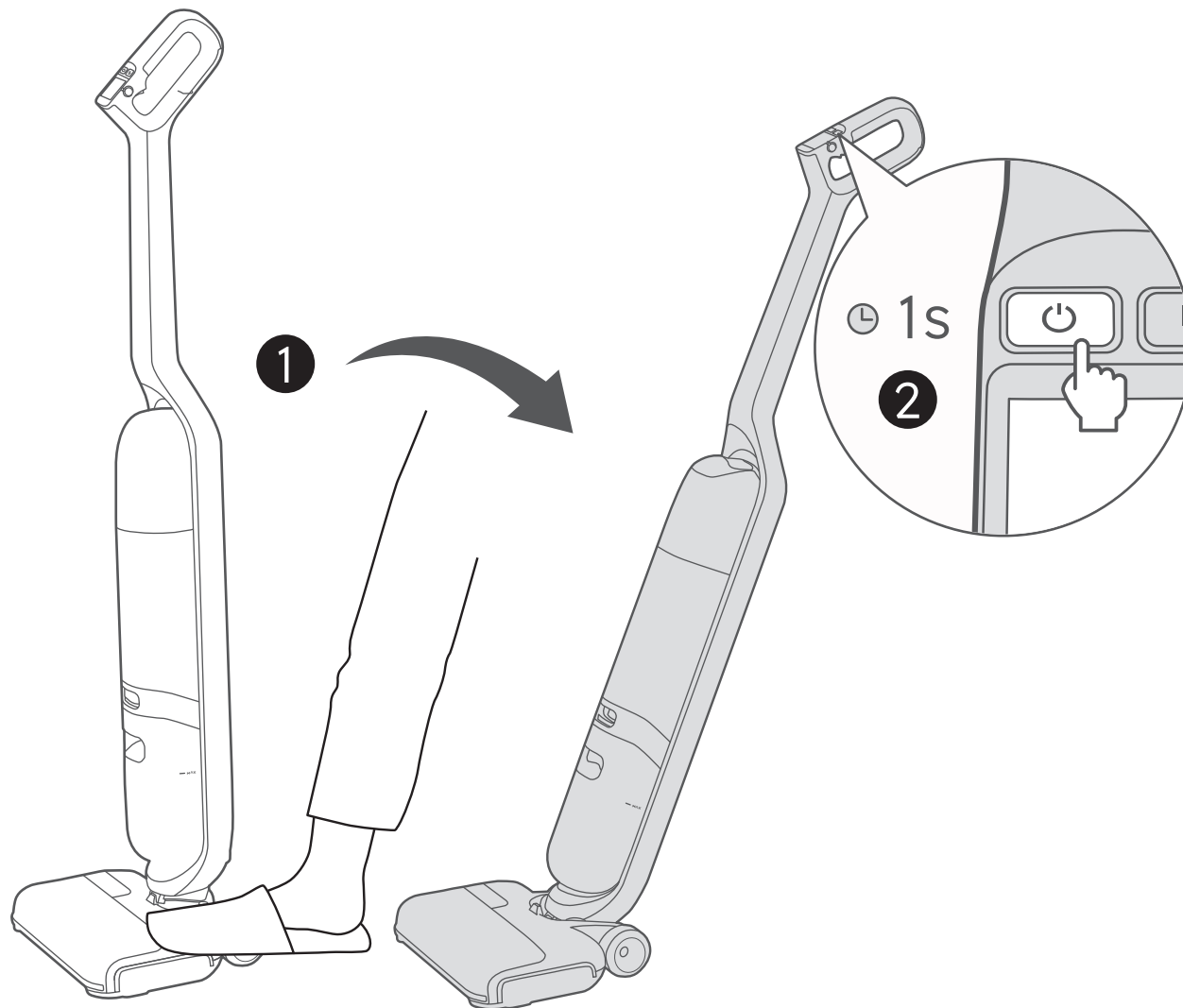


- 1 Wrap your power cable as needed and keep your cable organized.
- 2 Connect the power cord to a power outlet.
- 3 Place the MACH Vacuum Cleaner onto the charging base.
 - The LCD display lights up and you will hear a voice prompt, indicating that the MACH Vacuum Cleaner starts charging.



- The power plug varies by region.
- The charging speed depends on the working mode and ambient temperature. Before use, wait patiently until the charging is complete.

Turning On



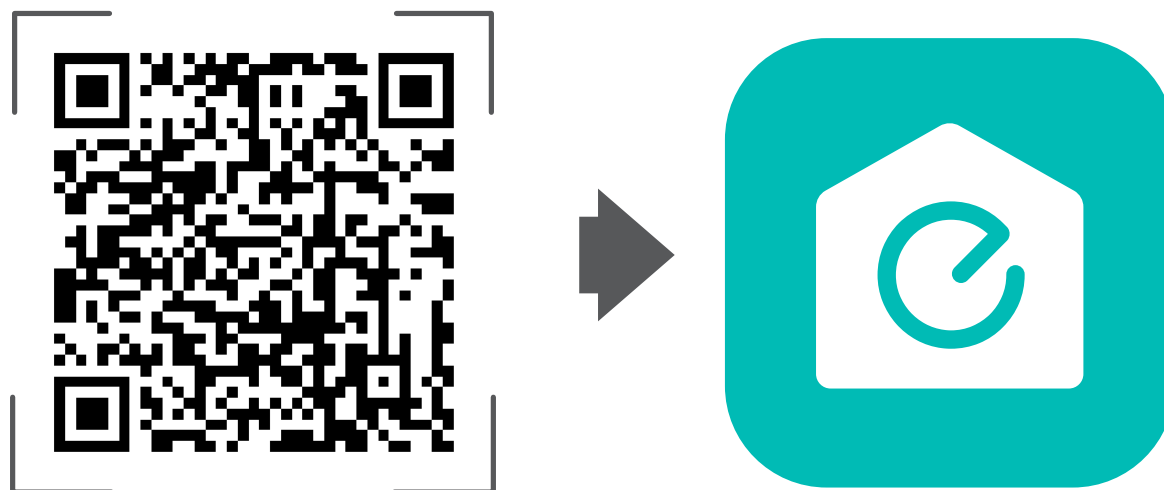
- 1 Gently step on the foot pedal and push the handle bar backward until you hear a click.
- 2 Press and hold the power button for 1 second to turn on the MACH Vacuum Cleaner.
 - The LCD display lights up.

Initial Setup

Before you start, make sure that:

- Your smartphone or tablet is running iOS 10.0+ or Android 5.0+.
- The 2.4GHz band wireless signal is enabled on your wireless router.

For first-time use, the boot animation will guide you to learn the basic operations, select a voice prompt language, scan the QR code to download the eufy Clean app, and complete the Wi-Fi connection.

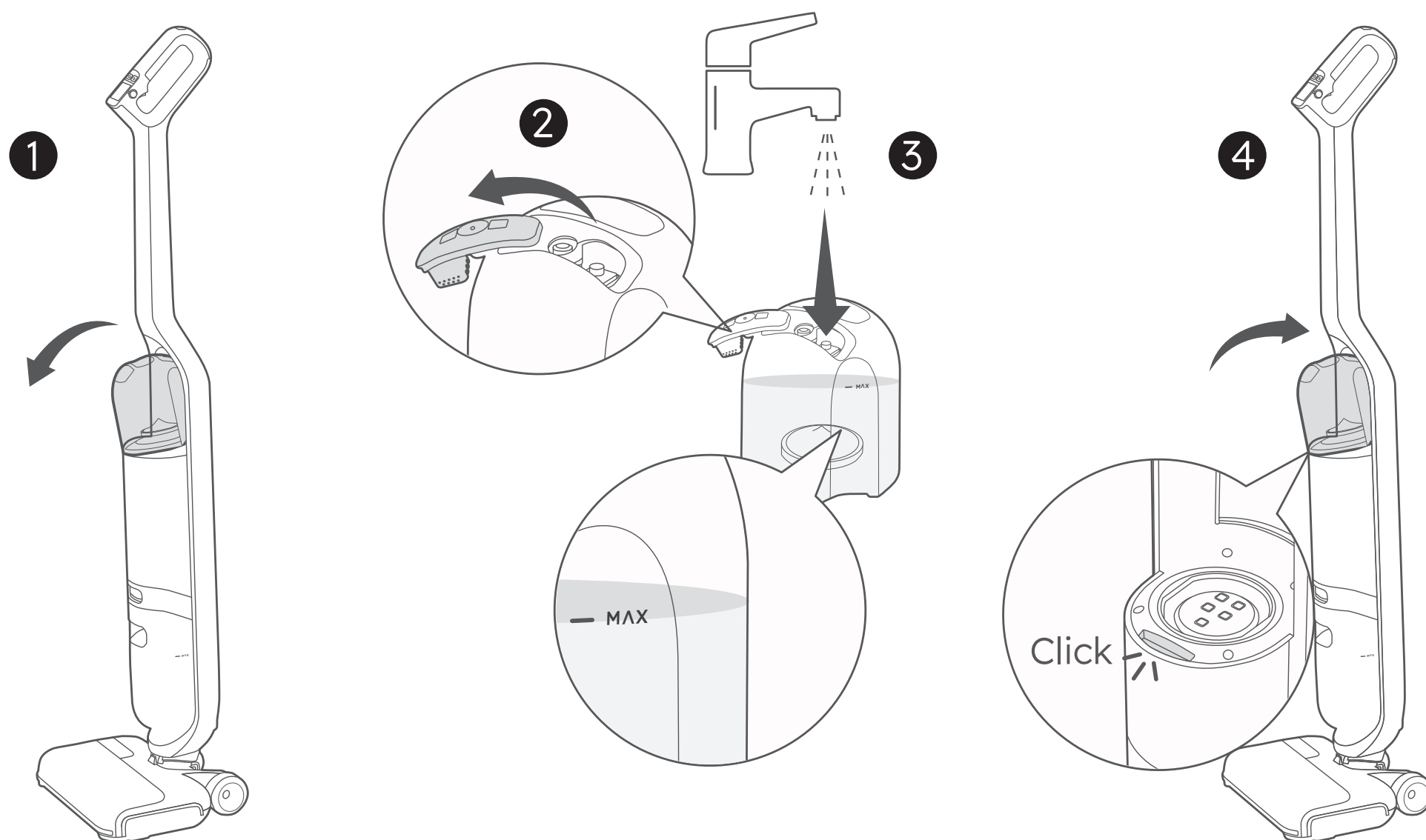


- To better understand the operation and maintenance of this device, and obtain the latest product services and information, please scan the QR code to download the eufy Clean app.

Using the MACH Vacuum Cleaner

Add Water and Floor Cleaner

Add Clean Water



1 Remove the clean water tank from the MACH Vacuum Cleaner.

2 Open the rubber cover.

3 Add tap water until it reaches the MAX water line.

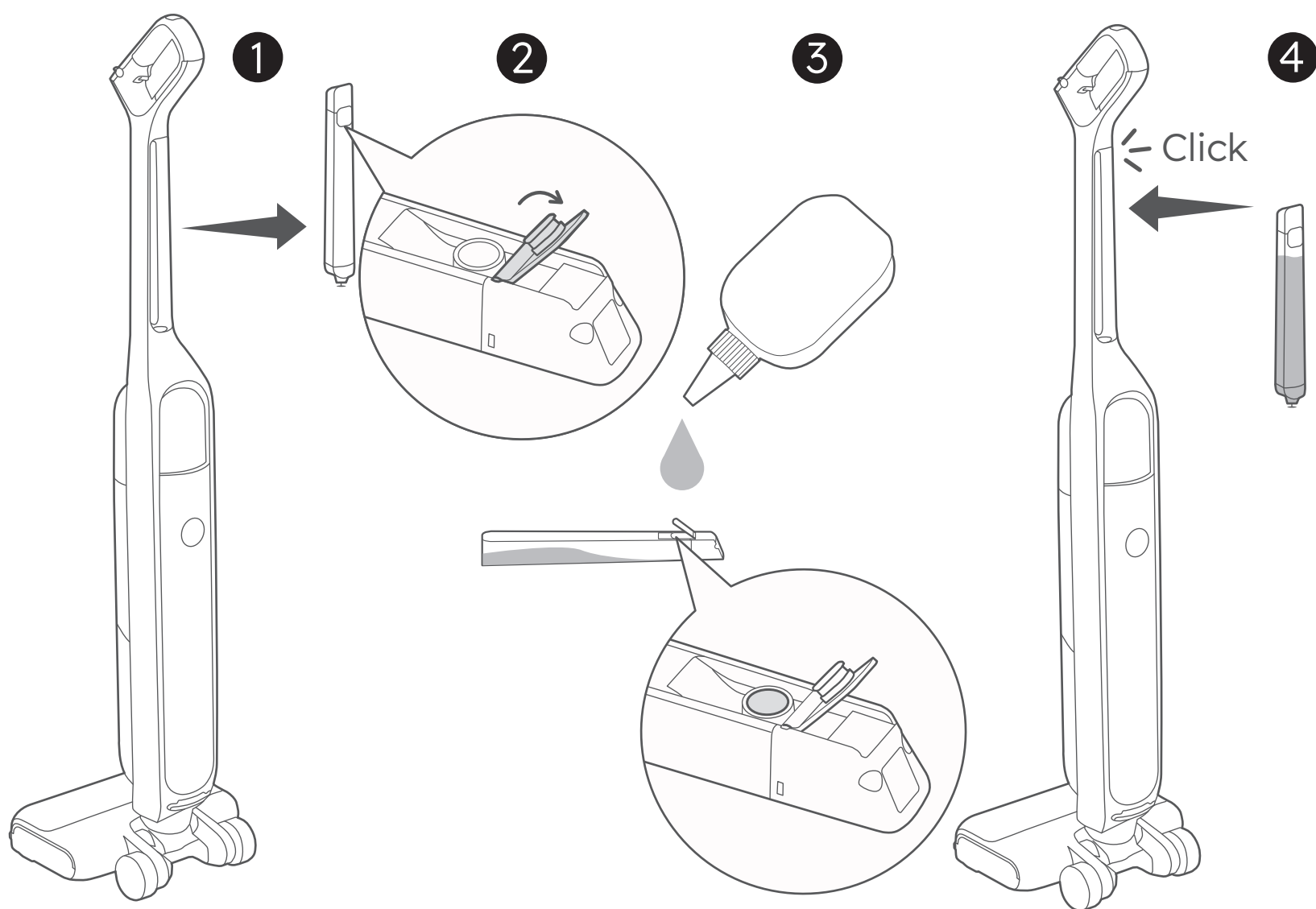


• Do not use mineral or purified water.

4 Replace the clean water tank.

• You will hear a click when the clean water tank is locked in place.

Add Floor Cleaner



- 1 Remove the floor cleaner tank.
- 2 Open the rubber cover.
- 3 Add floor cleaner into the floor cleaner tank.
- 4 Replace the floor cleaner tank. You will hear a click when it is locked in place.



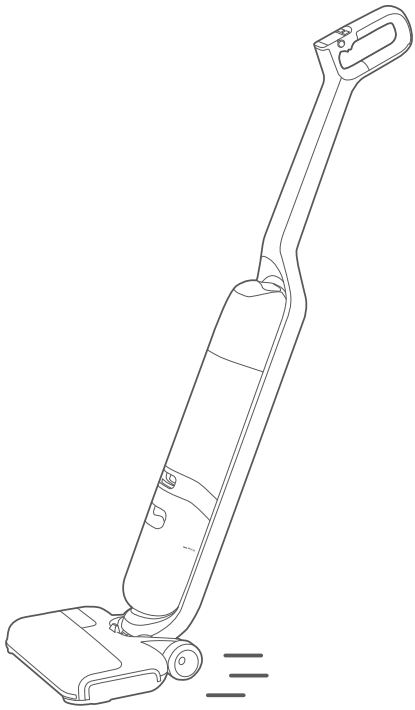
- To use the floor cleaner during cleaning, make sure the floor cleaner switch is turned on.
- Do not add hot water above 50 degrees, alcohol and corrosive liquid into the water tank.
- Use the floor cleaner designated by eufy only. Use with any other cleaner may cause severe damage to the MACH Vacuum Cleaner.
- Do not add floor cleaner with too much foam as it will cause false alarms.
- Do not put the water tank into a microwave for heating.

Start / Stop cleaning



- The MACH Vacuum Cleaner cannot clean high-pile rugs more than 1cm in height.
- Do not clean carpets which are made of materials including wool or other animal furs.
- It is recommended to clean your carpets in suction mode.

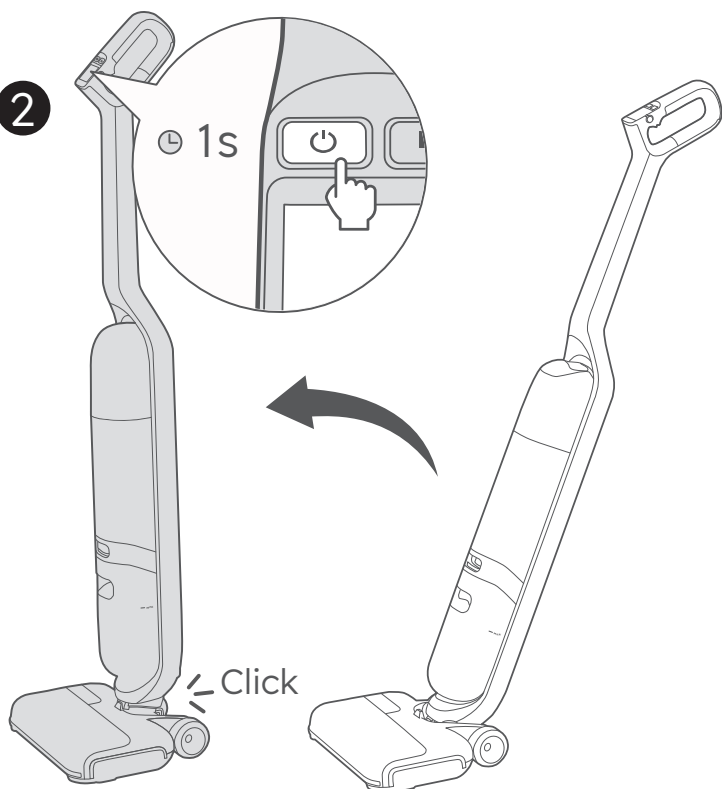
1



After Wi-Fi setup, start cleaning in the smart mode by default.

- To change the cleaning mode, refer to the "Selecting a Cleaning Mode" section.
- To pause or resume current task, press the power button.

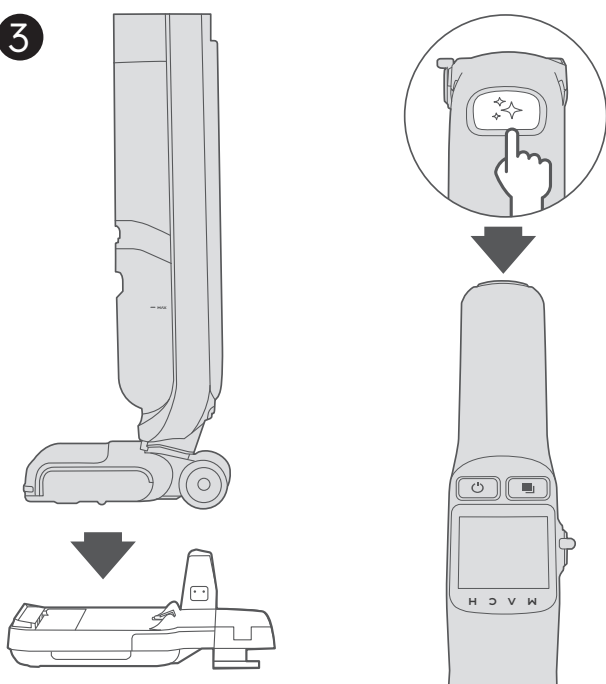
2



To stop cleaning,

- press and hold the power button for 1 second; or
- push the handle bar forward until you hear a click.

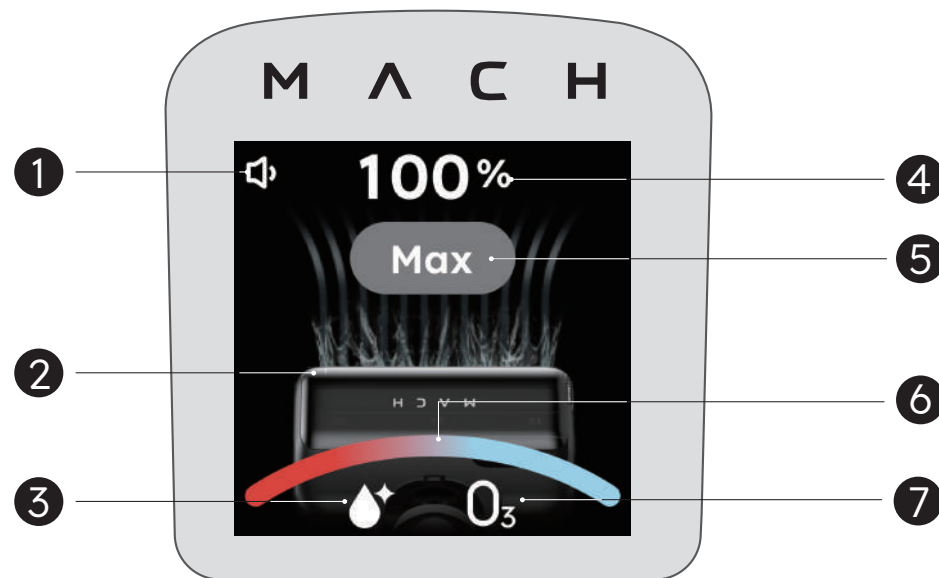
3



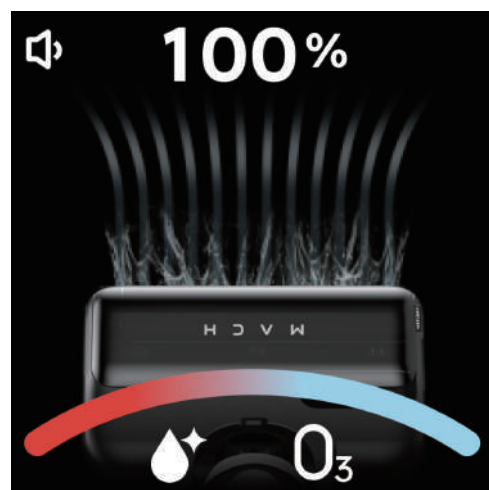
Place the MACH Vacuum Cleaner onto the charging base to charge, and then press the self-cleaning button to start self-cleaning and self-drying (see the **Maintenance** section).

LCD Screen Guide

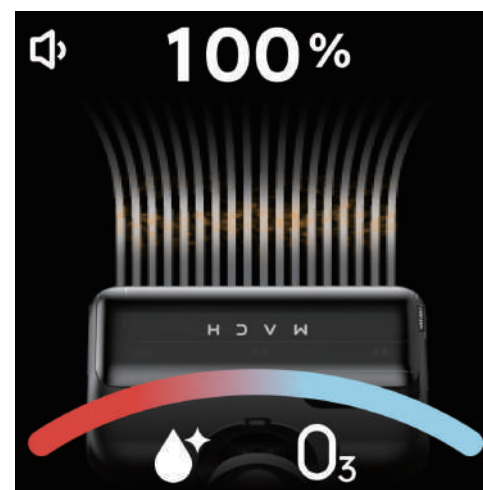
The LCD screen will show you the working status of the MACH Vacuum Cleaner.



- 1 Shows current volume level of voice prompts (High / Low / Mute)
- 2 Shows the animation of current work mode
- 3 Lights up when floor cleaner switch is turned on
- 4 Shows current charging status / battery level
Shows current mode name when switching work modes
- 5 Lights up when operating the device under maximum power condition
- 6 Intelligently shows current cleanliness status of your floor
- 7 Lights up when ozone disinfection is enabled

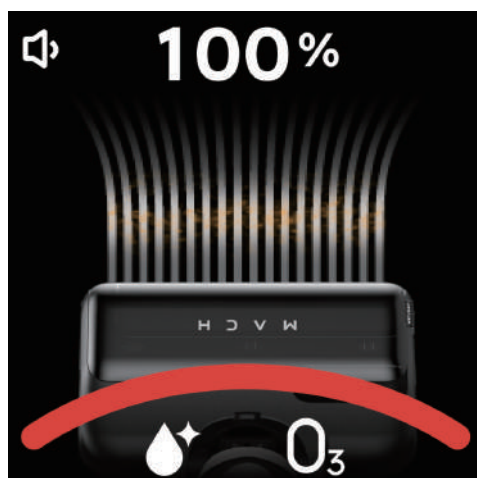


Smart mode

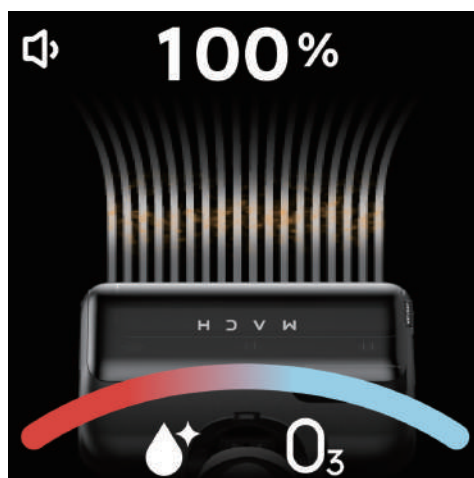


Suction mode

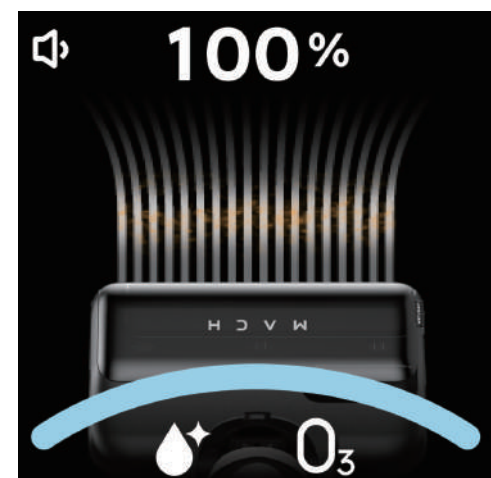
The different color of light bar indicates different cleanliness status.



Dirty



Half-dirty




Clean

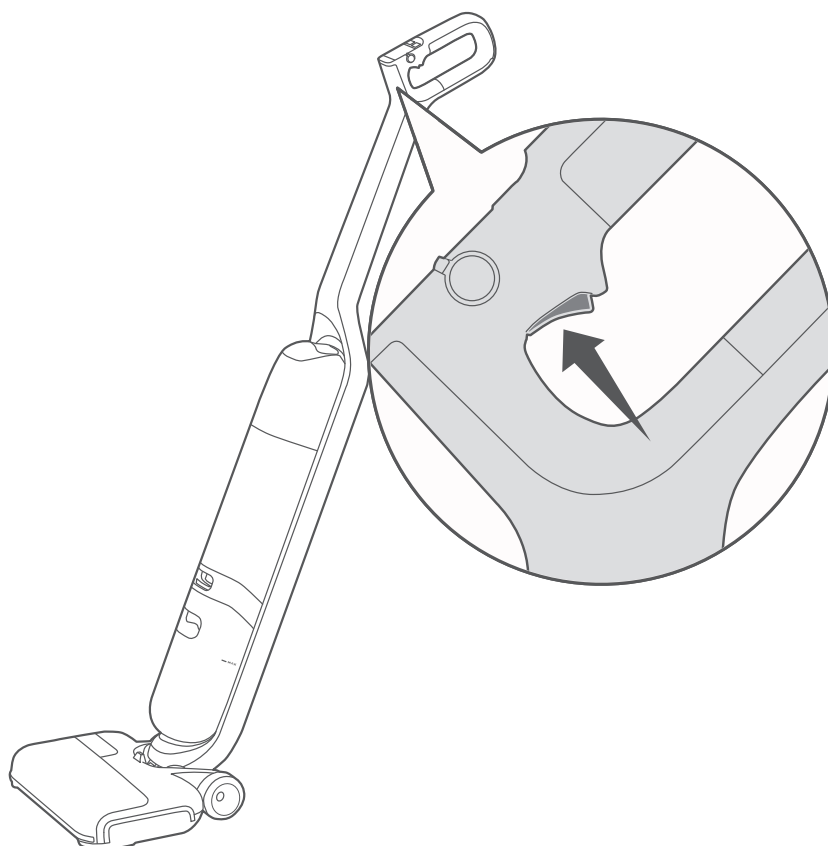
Selecting a Cleaning Mode

During cleaning, press the mode button to select a cleaning mode.

- You will hear the corresponding voice prompt when a mode is selected.

	Mode	Use
	Smart mode (default)	For daily mopping and hard floor washing
	Suction mode	Ideal for carpet cleaning or soaking up dry / liquid waste on the floor

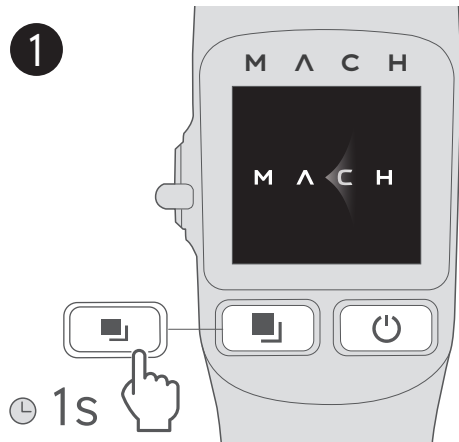
Using the Trigger



- In smart or suction mode, press and hold the trigger. The current function will be strengthened.
- Release the button to deactivate the feature.

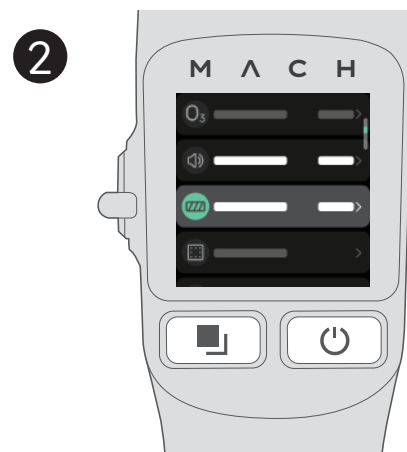
Using the Menu

From the menu, you can access additional features and information.






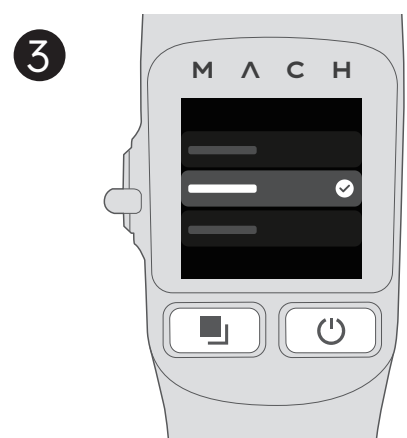
Press and hold the mode button for 1 second to access the menu options.

- Select a language.
- Adjust volume.
- Enable or disable EcoClean™ Ozone disinfection. The O_3 icon is displayed when this feature is enabled.
- Reset the Wi-Fi connection: The Wi-Fi connection may be interrupted due to network change. In this case, reset the Wi-Fi connection, re-add the device via the eufy Clean app, and complete the Wi-Fi setup.
- View the basic information of the MACH Vacuum Cleaner.
- Restore factory settings.
- Show the life span of consumable materials including rolling brush and filter. If the consumable material has been replaced with a new one, you can reset the progress bar to re-monitor its life span.

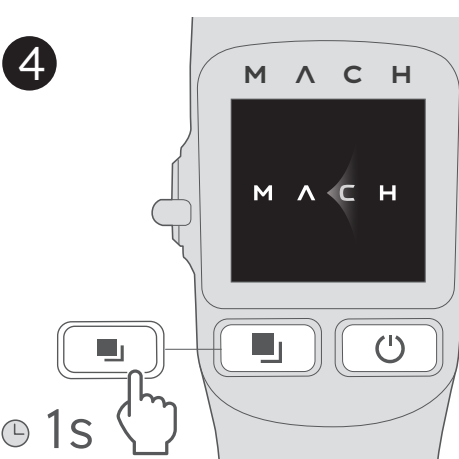


Press the mode / power button to select an option, and then press the trigger to confirm.

-  Select the next menu option
-  Select the previous menu option
-  Confirm a selection

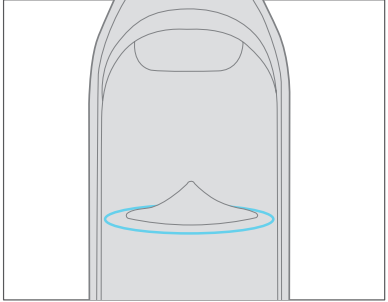
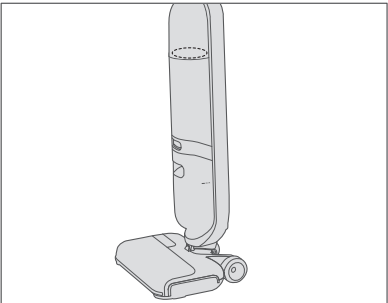


To select a sub-menu, repeat step 2.



After menu setting, press and hold the mode button for 1 second to exit.

Status Light Indication

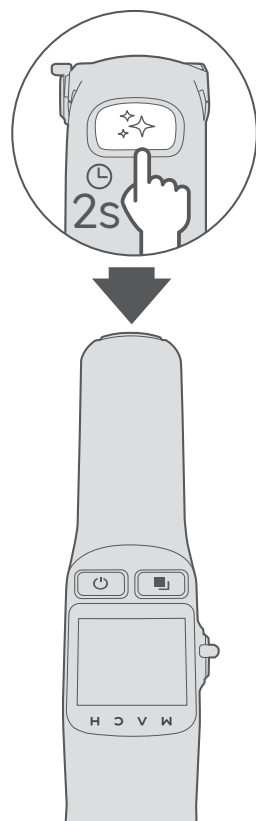
Status lights	Indication		Status
Ozone status light		Steady white	Enable ozone disinfection
	Off		Disable ozone disinfection
Ozone status light		Flashing red	Indicate that you need to start self-cleaning or clean the dirty water tank



- When the MACH Vacuum Cleaner is upright and idle for 5 minutes, and you have not started self-cleaning or cleaned the dirty water tank, the red status lights will flash and continue for up to 5 minutes.
- To turn off the red warning lights, follow the on-screen instructions to start self-cleaning or clean the dirty water tank.
- You can also turn off the red lights via the eufy Clean app.

Turning Voice Prompts On or Off

Press and hold the self-cleaning button for 2 seconds to turn the voice prompts on or off.



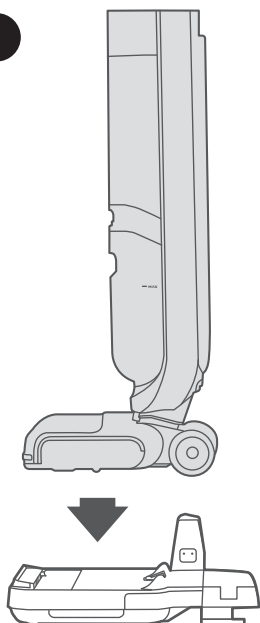
Maintenance

Self-Cleaning and Self-Drying



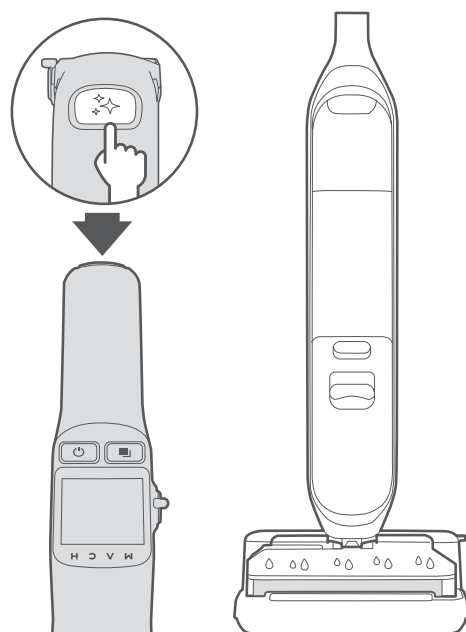
- Make sure you have filled more than half of the clean water tank before self-cleaning.
- To avoid any damage to the mopping head of the MACH Vacuum Cleaner, do not rinse or soak it in water.
- Do not remove the rolling brush cover during self-cleaning. Make sure the rolling brush cover is installed in place to avoid any damage to the MACH Vacuum Cleaner or hurting your fingers.

1



After cleaning, place the MACH Vacuum Cleaner onto the charging base.

2



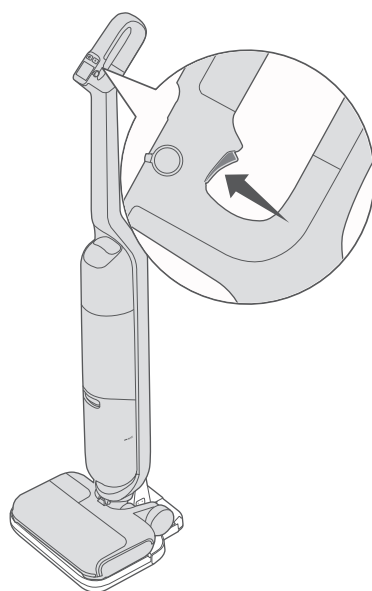
Press the self-cleaning button.

- The MACH Vacuum Cleaner will clean and self-dry the rolling brush automatically.
- For a better cleaning effect, turn on the floor cleaner switch before self-cleaning.
- When the rolling brush starts self-drying, the system will prompt you to clean the dirty water tank.

Drying of the Rolling Brush

If only the rolling brush needs to be dried, hold the trigger for 2 seconds when the MACH Vacuum Cleaner is on the charging base.

- The device begins drying of the rolling brush.



Clean the Dirty Water Tank



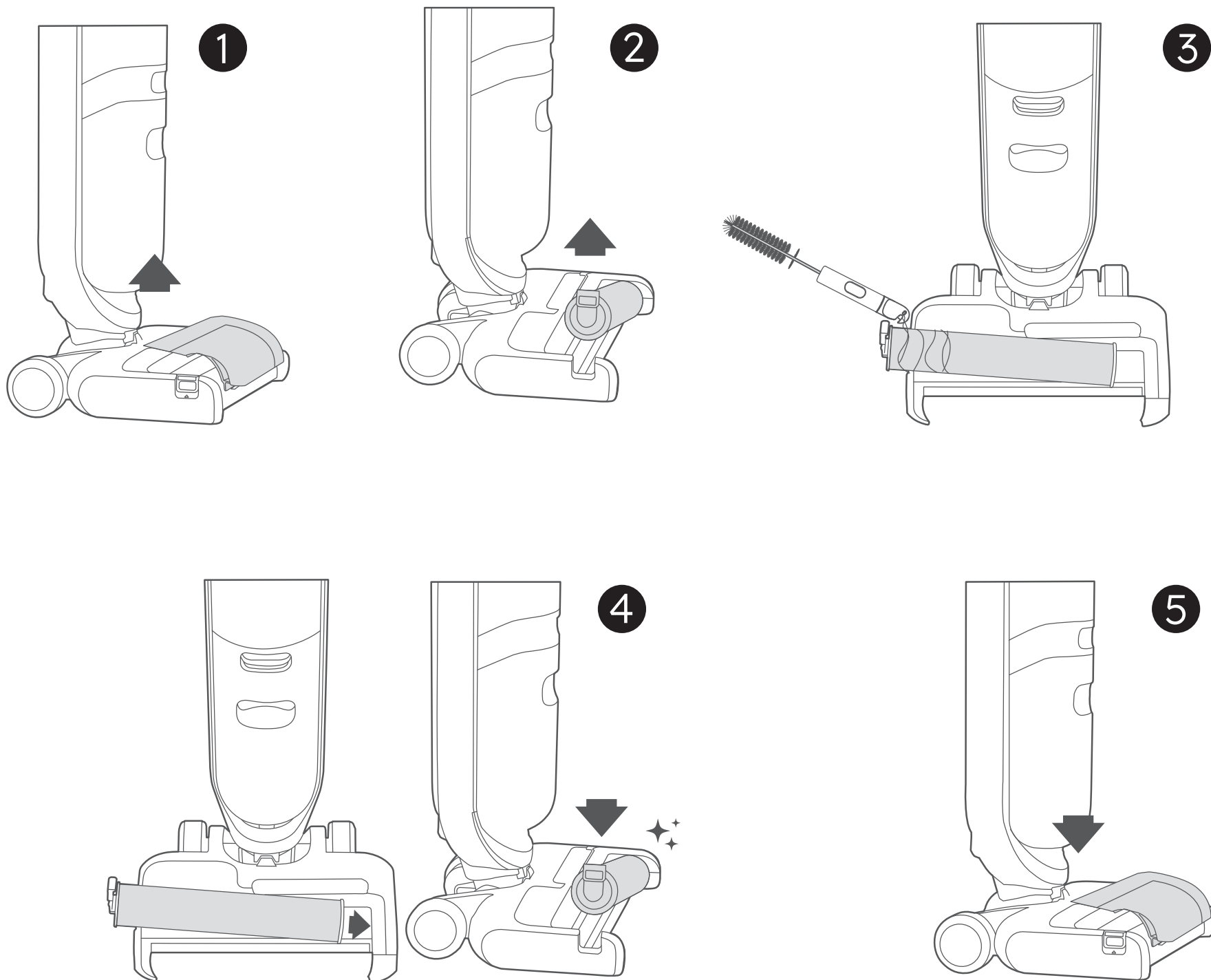
- 1 Remove the dirty water tank.
- 2 Separate the top container from the dirty water tank.
- 3 Remove the dry waste separator.
- 4 Rinse the dirty water tank and all components thoroughly with water.
- 5 Reassemble the dirty water tank.
- 6 Push the dirty water tank back into the MACH Vacuum Cleaner.

Clean the Rolling Brush Manually

The multi-surface rolling brush can be cleaned automatically through self-cleaning, but some foreign substances, such as hair, can easily get tangled in the rolling brush, so it is best to clean the rolling brush manually if it occurs.



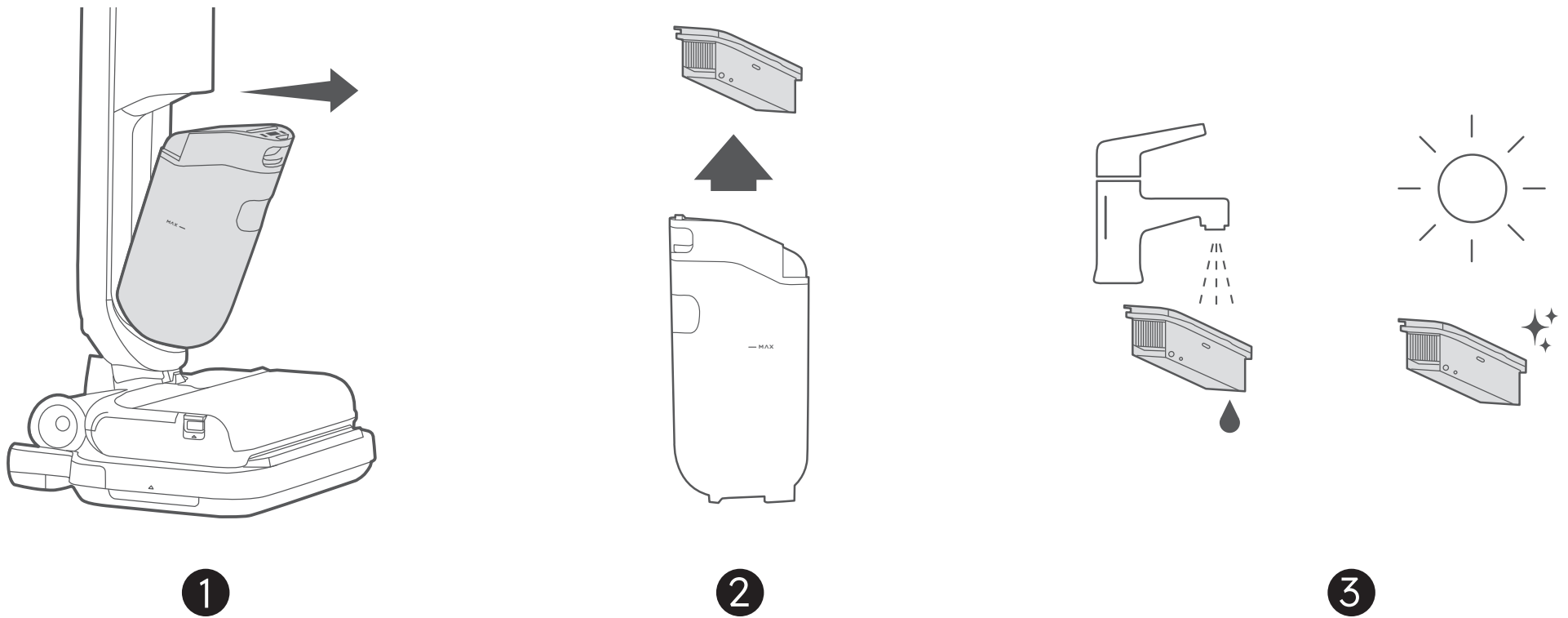
- Before removing the rolling brush cover, make sure the MACH Vacuum Cleaner has been turned off.



- 1 Pull out to open the cover.
- 2 Press the release button and then pull up to remove the rolling brush.
- 3 Clean the rolling brush with the supplied cleaning tool.
- 4 Reinstall the rolling brush: Insert the end of the rolling brush into the right side of the holder, then press down the release button into the left side of the holder. Make sure the rolling brush is installed properly, otherwise it may be damaged during use.
- 5 Reinstall the rolling brush cover.

Clean the High-Performance Filter

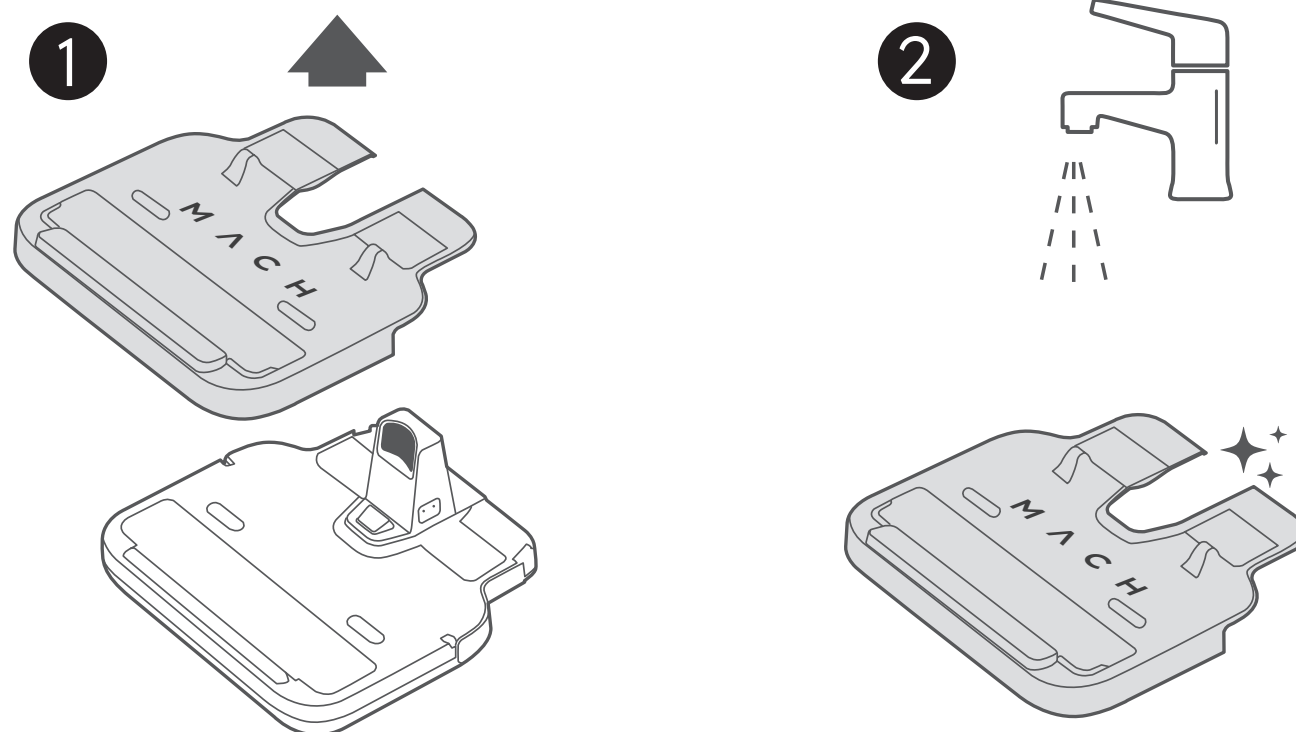
It is recommended to clean the filter once a week.



- 1 Remove the dirty water tank.
- 2 Remove the high-performance filter.
- 3 Rinse the filter and dry it completely before next use.

Clean the Removable Cover

It is recommended to clean the cover once a week.



- 1 Remove the cover.
- 2 Rinse the cover thoroughly.

Troubleshooting

MACH Vacuum Cleaner is not working normally:

- Make sure the battery is fully charged.
- Make sure the handle bar has been pushed backward and you have heard a click before use.
- Check if the rolling brush is stuck.

Suction power is decreased or there is a loud noise:

- Check if any objects are stuck in the opening.
- Check if the dirty water tank is properly installed.
- Check if the dirty water tank and filter are clean.

Specifications

Model	V1
Rated voltage (charging base)	AC 100-240 V
Battery life	Runtime up to 45 minutes (in smart mode) * According to lab data. May vary based on actual usage and environment.
Battery energy	84.36 Wh
Battery capacity	3800 mAh
Charging time	≤4 hours
Noise	65 dBA, measured according to SPL (sound pressure level)
Clean water tank capacity	820 ml
Dirty water tank capacity	720 ml

Customer Service

For tutorial videos, FAQs, manuals, and more information, please visit:

<https://support.eufylife.com>

Warranty: 24-month limited warranty

Contact Us

✉ support@eufylife.com

💬 www.eufylife.com

☎
(US/CA) +1 (800) 994 3056
(UK) +44 (0) 1604 936200
(DE) +49 (0) 69 9579 7960
(日本) +81 03 4455 7823

For more support phone numbers, please visit:

<https://support.eufylife.com/s/phonecontactus>

Or scan the QR code below:



Scan this QR code to get the online user manuals in other languages.



! MACH strives to improve product performance and ensure the accuracy of the Owner's Manual. If there is any inconsistency between the illustrations and the actual operation due to software updates, actual product performance shall prevail. MACH reserves the right to modify this Owner's Manual without prior notice.

 @EufyOfficial

 @EufyOfficial

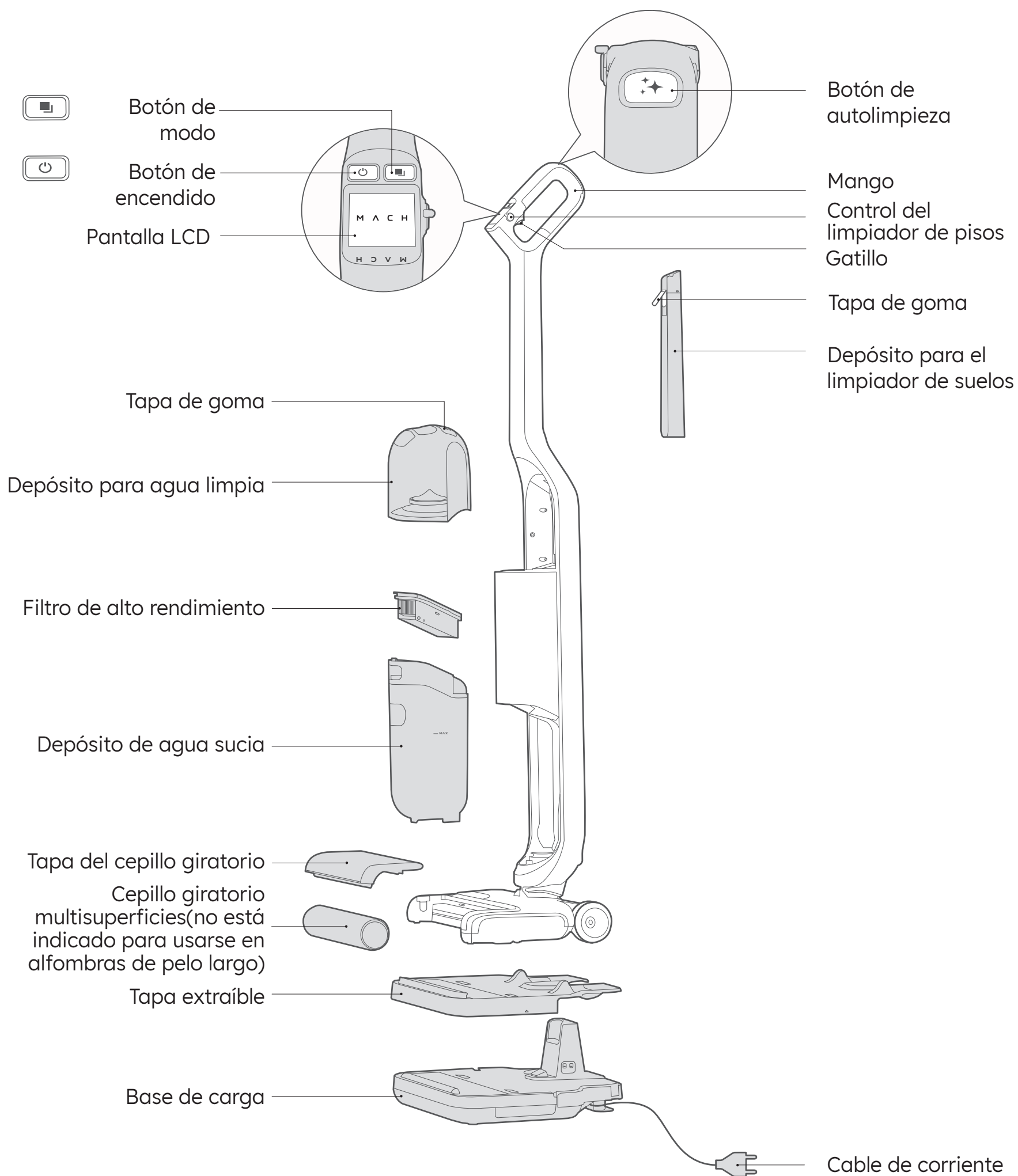
 @EufyOfficial

 @EufyOfficial










Índice

Vista general	20
Control de botones.....	21
Carga	22
Encendido	23
Configuración inicial	
Modo de uso del aspirador MACH	24
Añadir agua y el limpiador para suelos	
Iniciar/detener la limpieza	
Guía de la pantalla LCD	27
Selección del modo de limpieza ...	28
Modo de uso del gatillo.....	28
Uso del menú	29
Indicación de luz de estado	30
Cómo activar o desactivar las indicaciones de voz	30
Mantenimiento	31
Autolimpieza y autosecado	
Secado del cepillo giratorio	
Limpieza el depósito de agua sucia	
Limpiar el cepillo giratorio manualmente	
Limpiar el filtro de alto rendimiento	
Limpiar la tapa extraíble	
Solución de problemas	35
Especificaciones.....	35
Servicio de atención al cliente.....	36

Vista general

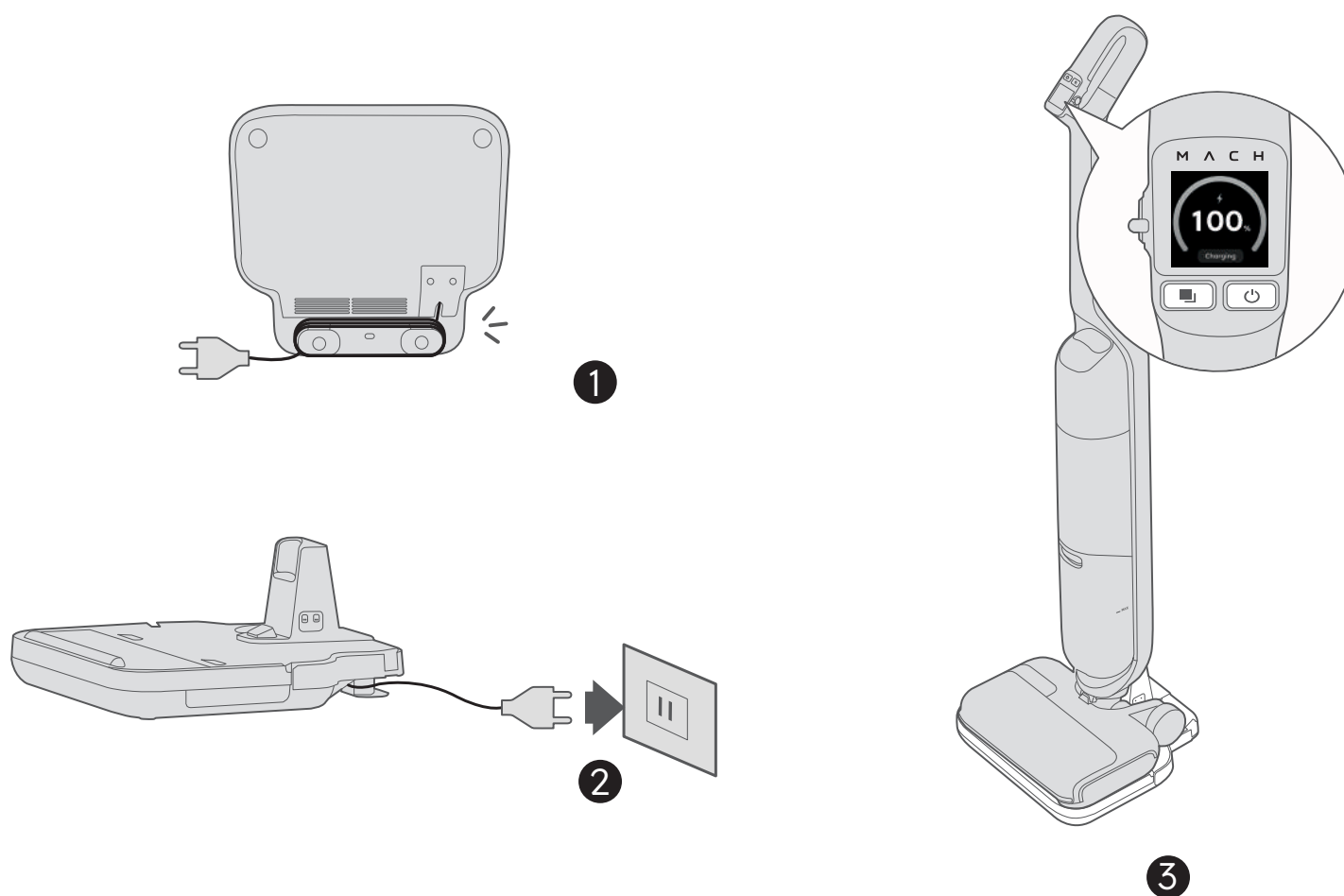


Control de botones

	Acción	Función
	Mantener pulsado el botón de encendido durante 1 segundo	<ul style="list-style-type: none"> • Se enciende o se apaga
	Pulsar el botón de encendido	<ul style="list-style-type: none"> • Durante la limpieza, se pausa o reanuda la operación actual • Durante la configuración del menú, se abre la opción anterior del menú
	Mantener pulsado el botón de modo durante 1 segundo	<ul style="list-style-type: none"> • Se activa el modo de configuración del menú
	Pulsar el botón de modo	<ul style="list-style-type: none"> • Se selecciona un modo <ul style="list-style-type: none"> • Modo inteligente (predeterminado) • Modo de succión • Durante la configuración del menú, se abre la opción siguiente del menú
	Pulsar el botón de autolimpieza	<ul style="list-style-type: none"> • Se inicia el proceso de autolimpieza y autosecado
	Mantener pulsado el botón de autolimpieza durante 2 segundos	<ul style="list-style-type: none"> • Se activan o desactivan las indicaciones de voz
	Dejar presionado el gatillo	<ul style="list-style-type: none"> • En el modo inteligente, se activa una intensidad de limpieza más potente • En el modo de succión, se activa una intensidad de succión más potente
	Dejar presionado el gatillo durante 2 segundos (cuando está colocado en la base de carga)	<ul style="list-style-type: none"> • Se seca el cepillo giratorio
	Presionar el gatillo	<ul style="list-style-type: none"> • Durante la configuración del menú, se confirma una opción seleccionada
	Girar en el sentido contrario a las agujas del reloj	Activar el control del limpiador de pisos
	Girar en el sentido de las agujas del reloj	Desactivar el control del limpiador de pisos

Carga

Antes de usarlo por primera vez, deje cargando el aspirador MACH durante 4 horas hasta el máximo.

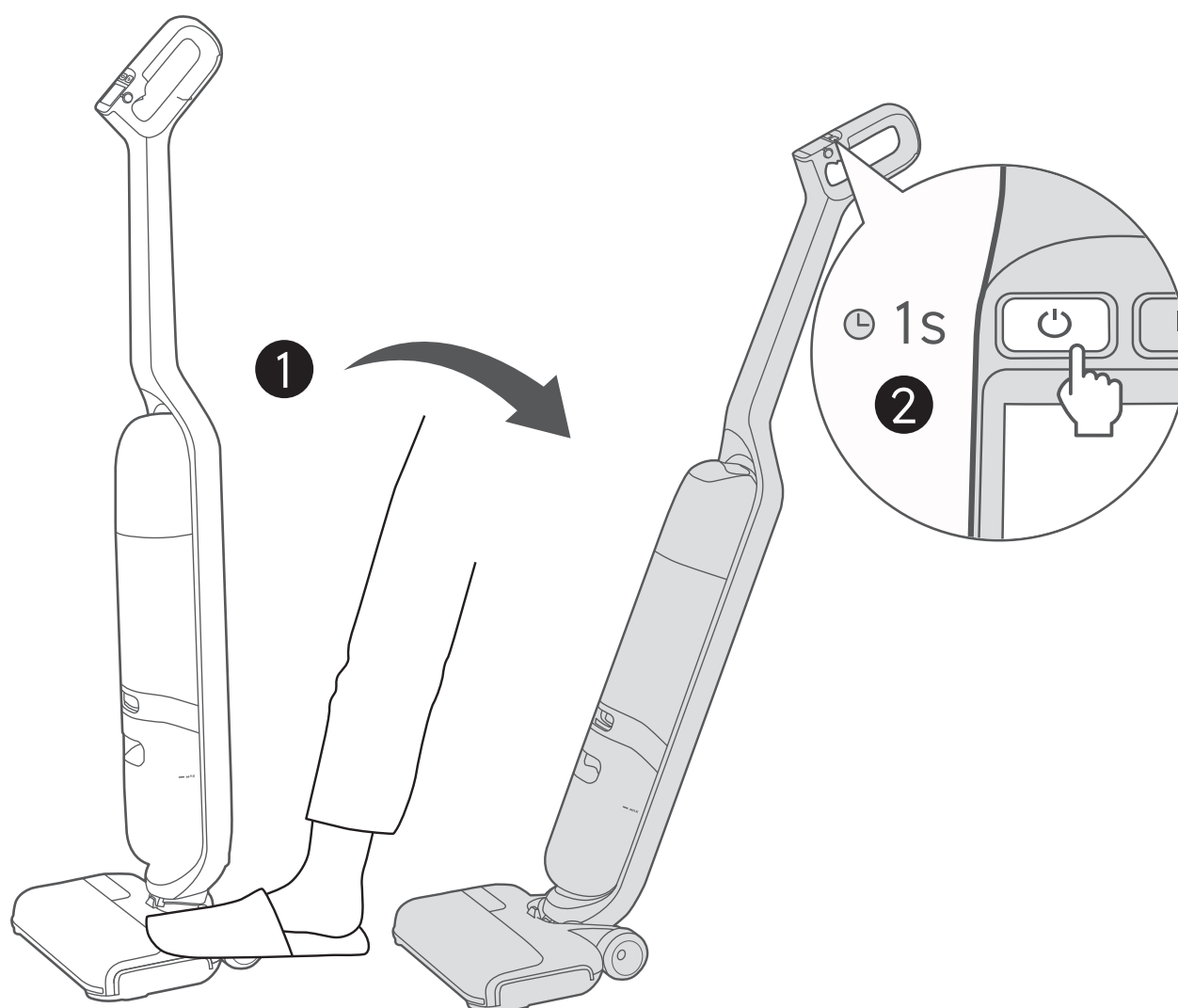


- 1 Enrolle el cable de corriente según sea necesario y déjelo bien colocado.
- 2 Conecte el cable de corriente a una toma de alimentación.
- 3 Coloque el aspirador MACH en la base de carga.
 - La pantalla LCD se enciende y se oye un mensaje de voz que indica que la aspiradora MACH está empezando a cargarse.



- El enchufe de corriente varía según la región.
- La velocidad de carga depende del modo de funcionamiento y la temperatura ambiente. Antes de usarlo, espere hasta que se complete la carga.

Encendido



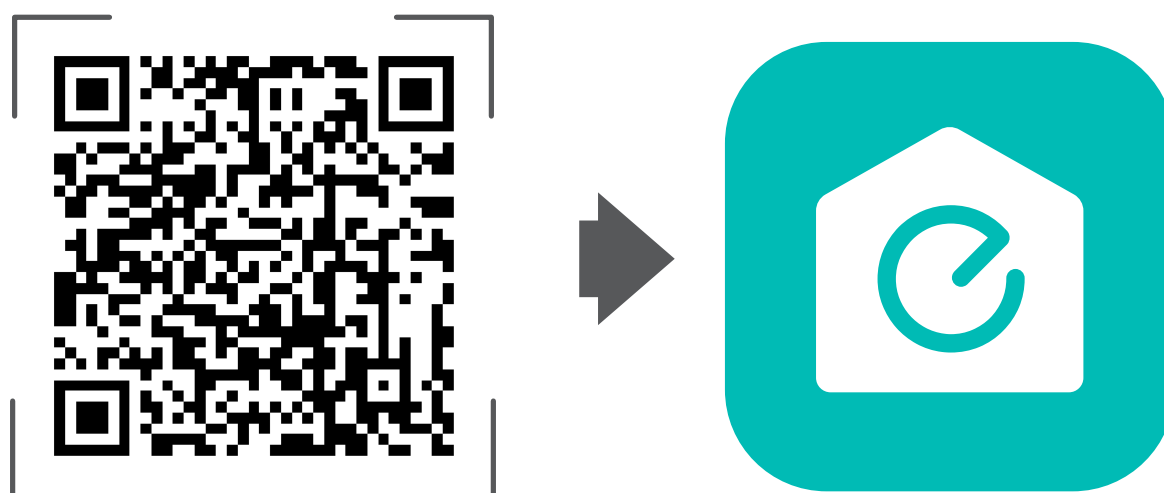
- 1 Pise suavemente el pedal y tire del mango hacia atrás hasta que oiga un clic.
- 2 Mantenga pulsado el botón de encendido durante 1 segundo para encender el aspirador MACH.
 - La pantalla LCD se encenderá.

Configuración inicial

Antes de empezar, asegúrese de que:

- Su teléfono inteligente o tableta debe tener instalado iOS 10.0 (o superior) o Android 5.0 (o superior).
- La señal inalámbrica de la banda de 2,4 GHz está activada en el router inalámbrico.

En el primer uso, la animación de inicio le explicará las operaciones básicas, además de cómo seleccionar el idioma de las indicaciones de voz, escanear el código QR para descargar la aplicación eufy Clean y completar la conexión wifi.

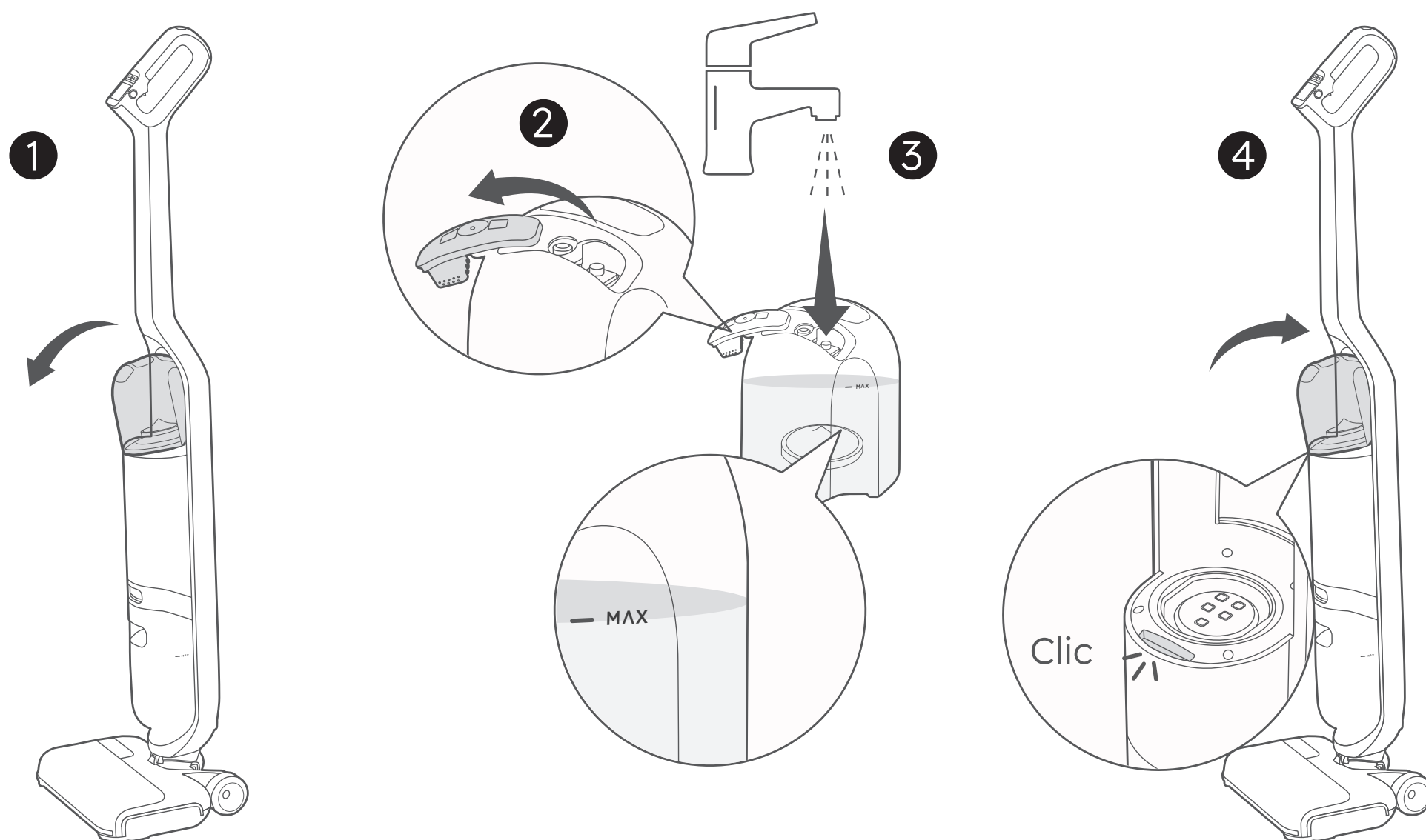


- Para conocer mejor cómo funciona este dispositivo y cómo realizar el mantenimiento, así como obtener los últimos servicios e información del producto, escanee el código QR para descargar la aplicación eufy Clean.

Modo de uso del aspirador MACH

Añadir agua y el limpiador para suelos

Añadir el agua limpia



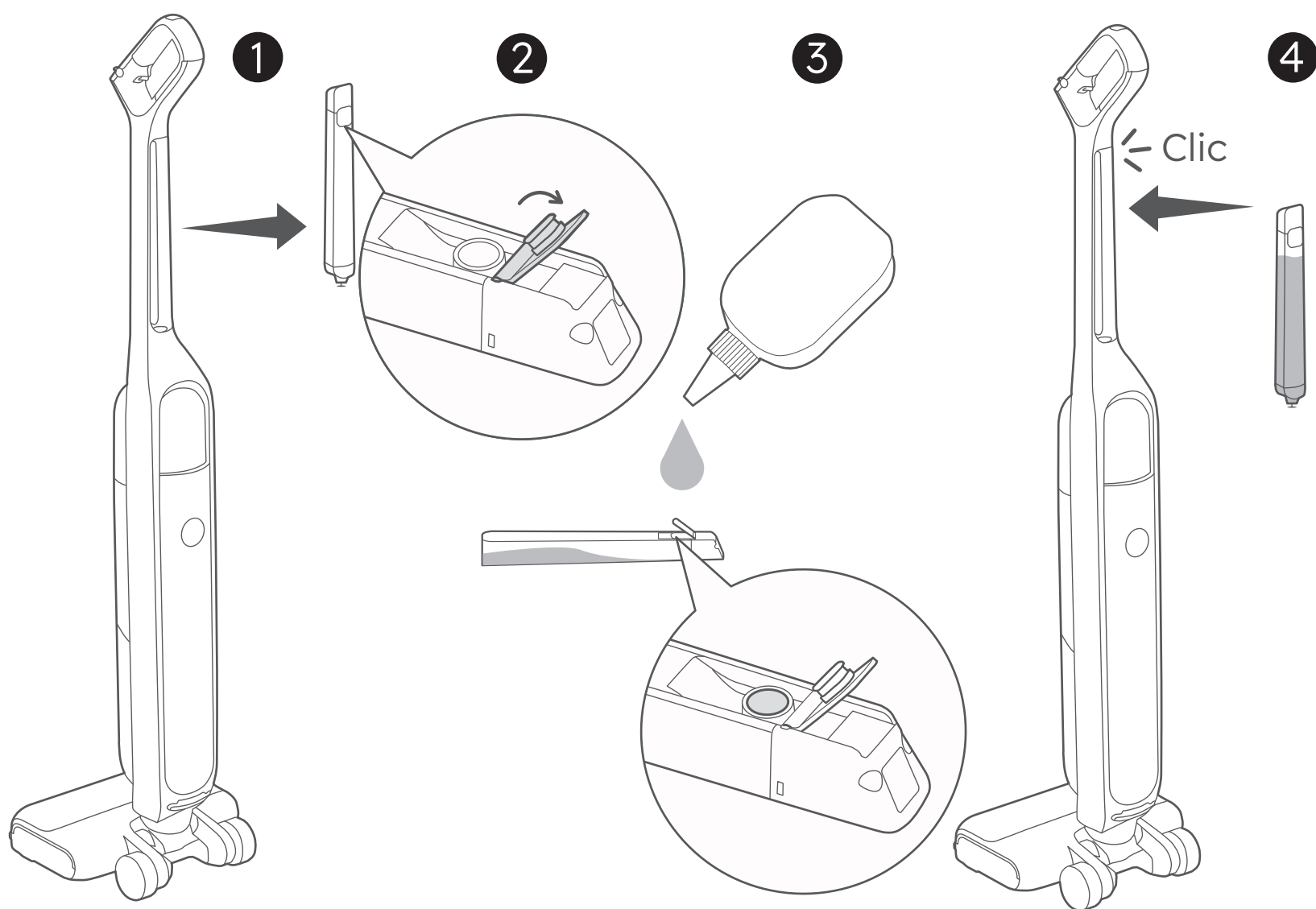
- 1** Retire el depósito de agua limpia del aspirador MACH.
- 2** Abra la tapa de goma.
- 3** Vierta agua corriente hasta que llegue a la marca MAX.



• No utilice agua mineral ni purificada.

- 4** Cambie el depósito para agua limpia.
 - Oirá un clic cuando el depósito para agua limpia quede fijado en su sitio.

Añadir el limpiador de suelos



- 1** Quite el depósito para el limpiador de suelos.
- 2** Abra la tapa de goma.
- 3** Añada el limpiador de suelos en el depósito correspondiente.
- 4** Cambie el depósito para el limpiador de suelos. Oirá un clic cuando este quede fijado en su sitio.



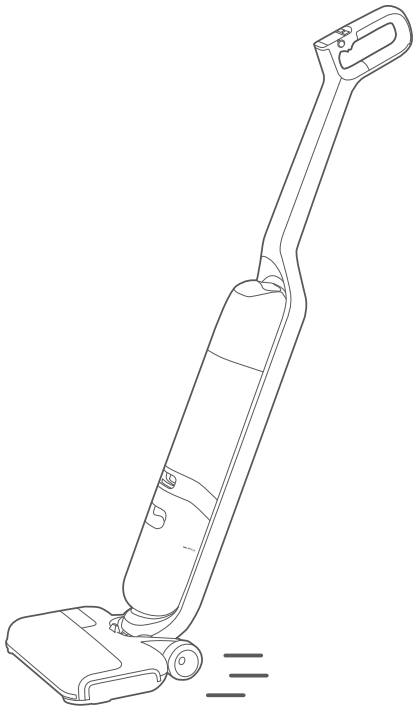
- Para usar el limpiador de pisos durante la limpieza, compruebe que el control del limpiador de pisos esté encendido.
- No añada agua caliente que supere los 50 grados, además de alcohol ni líquidos corrosivos, en el depósito de agua.
- Utilice solo el limpiador de suelos facilitado por eufy. Si se usa cualquier otro limpiador, esto podría causar daños importantes en el aspirador MACH.
- Evite crear mucha espuma al añadir el limpiador de suelos ya que provocaría falsas alarmas.
- No coloque el depósito de agua en un microondas para calentarlo.

Iniciar/detener la limpieza



- El aspirador MACH no puede limpiar alfombras de pelo largo de más de 1 cm de altura.
- No limpie alfombras que estén hechas de materiales como lana u otras pieles de animales.
- Se recomienda limpiar las alfombras en el modo de succión.

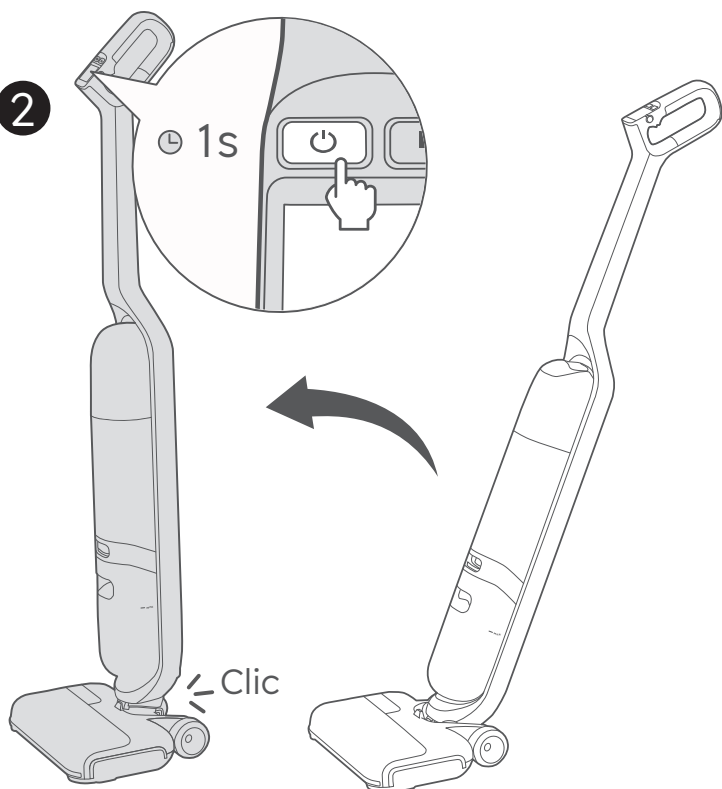
1



Después de configurar la conexión wifi configuración, empiece a limpiar con el modo inteligente activado de forma predeterminada.

- Para cambiar el modo de limpieza, consulte la sección “Selección del modo de limpieza”.
- Para pausar o reanudar la operación actual, pulse el botón de encendido.

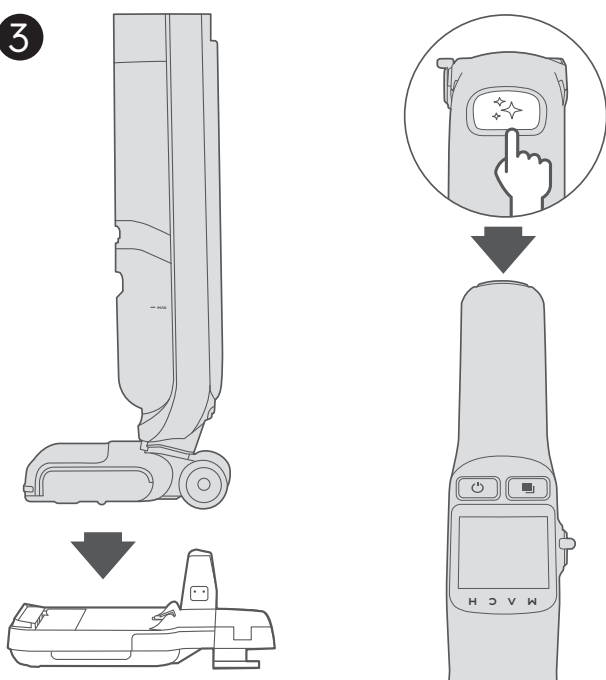
2



Para dejar de limpiar,

- mantenga pulsado el botón de encendido durante 1 segundo; o
- mueva el mango hacia adelante hasta que suene un clic.

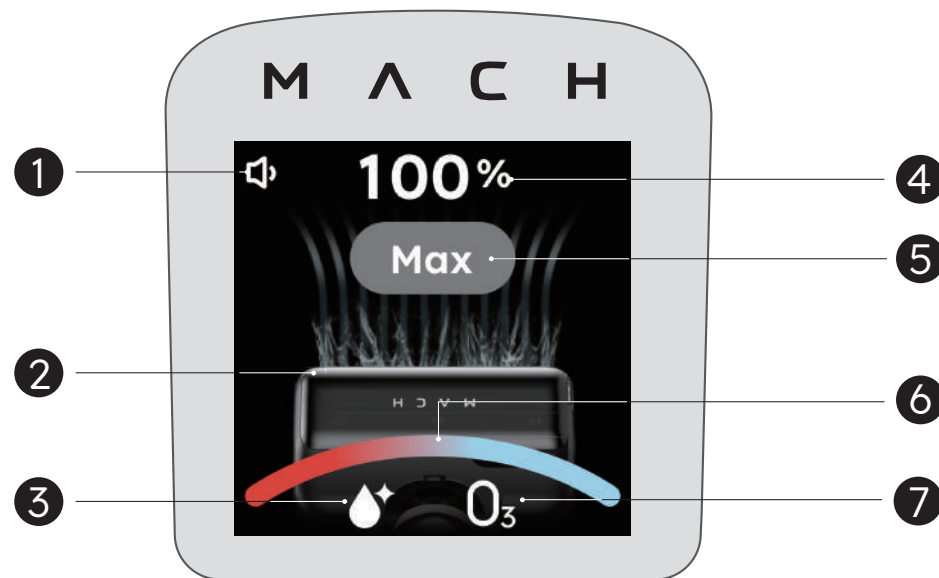
3



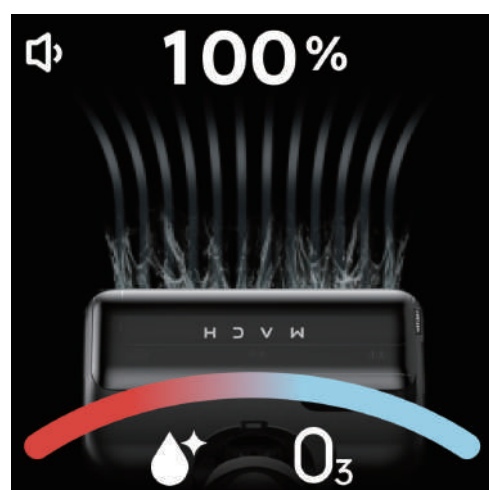
Coloque el aspirador MACH en la base de carga para cargarlo y luego pulse el botón de autolimpieza para que empiece a autolimpiarse y autosecarse (consulte la sección **Mantenimiento**).

Guía de la pantalla LCD

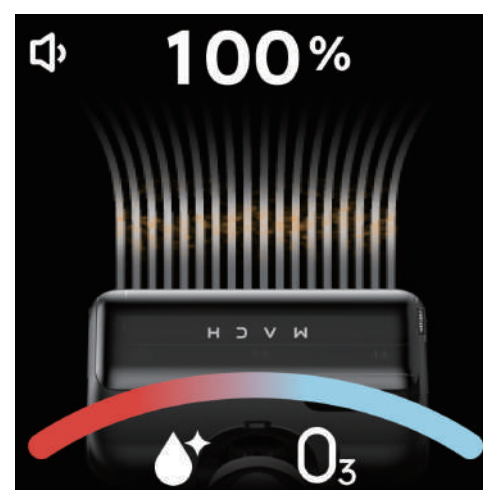
En la pantalla LCD aparecerá el estado de funcionamiento del aspirador MACH.



- 1 Muestra el nivel de volumen actual de las indicaciones de voz (Alto / Bajo / Silencio)
- 2 Muestra la animación del modo de funcionamiento actual
- 3 Se ilumina cuando el control del limpiador de pisos está encendido
- 4 Muestra el estado de carga actual y el nivel de batería
Muestra el nombre del modo actual al cambiar de modo de funcionamiento
- 5 Se ilumina cuando se utiliza el dispositivo con la máxima potencia
- 6 Muestra de manera inteligente el estado de limpieza actual del piso
- 7 Se ilumina cuando la desinfección con ozono está activada

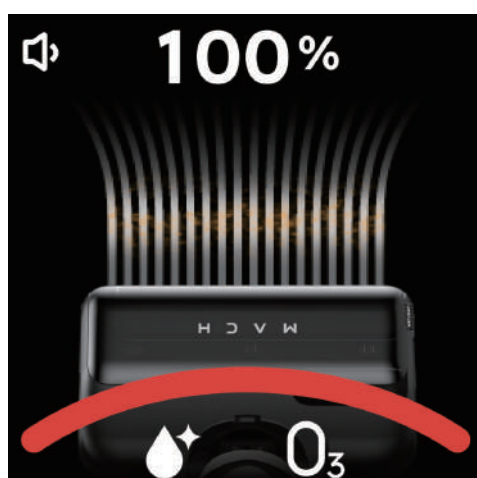


Modo inteligente

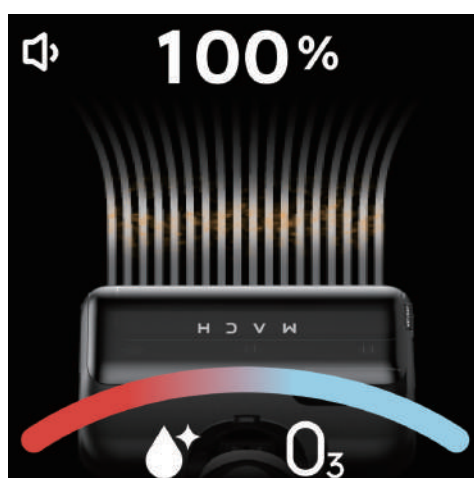


Modo de succión

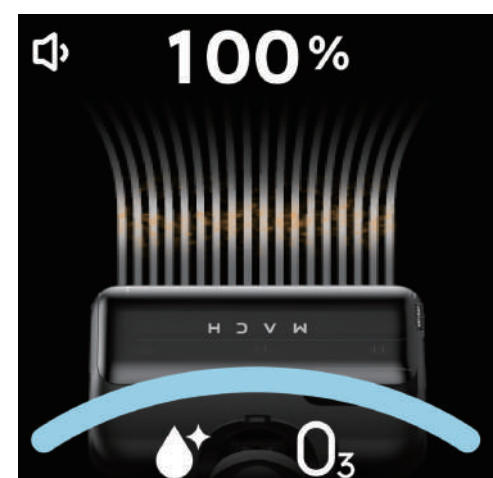
Un color diferente de la barra de luz indica un estado de limpieza distinto.



Sucio



Algo sucio




Limpio

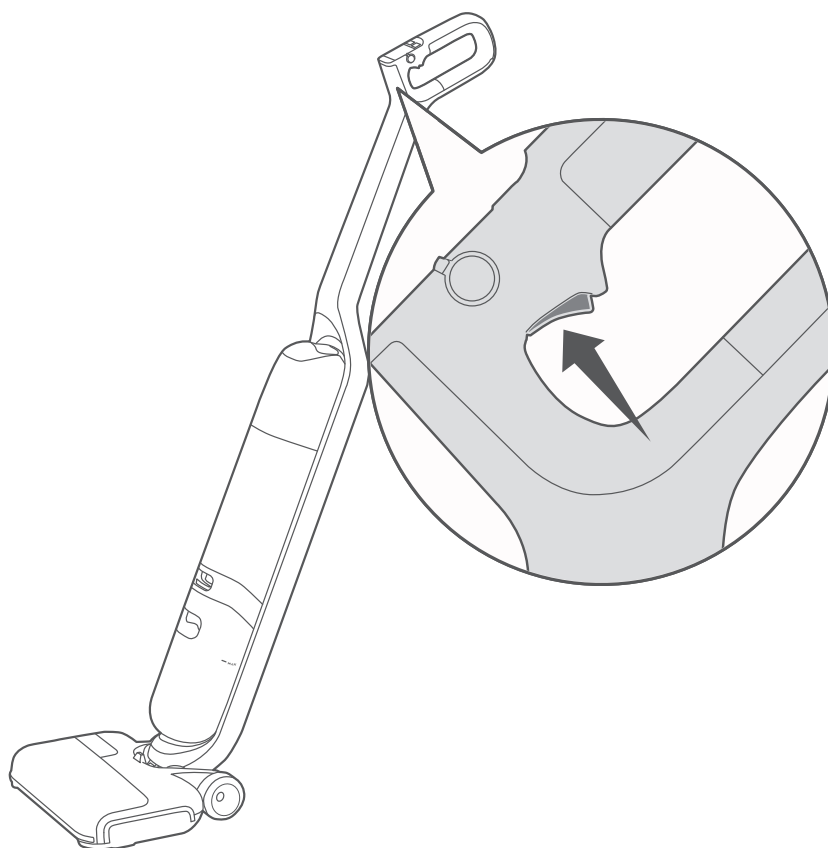
Selección del modo de limpieza

Durante la limpieza, pulse el botón de modo para elegir un modo de limpieza.

- Oirá el mensaje de voz correspondiente cuando seleccione cada modo.

	Modo	Modos de uso
	Modo inteligente (predeterminado)	Sirve para hacer la limpieza con mopa diaria y suelos duros
	Modo de succión	Es ideal para limpiar alfombras/moquetas o absorber residuos secos o líquidos del suelo

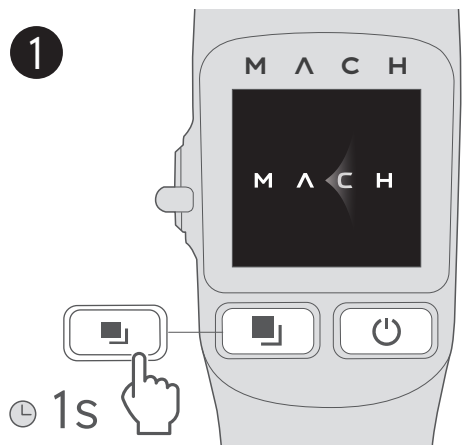
Modo de uso del gatillo



- En el modo inteligente o de succión, deje presionado el gatillo. La función actual será más intensa.
- Suelte el botón para desactivar esta función.

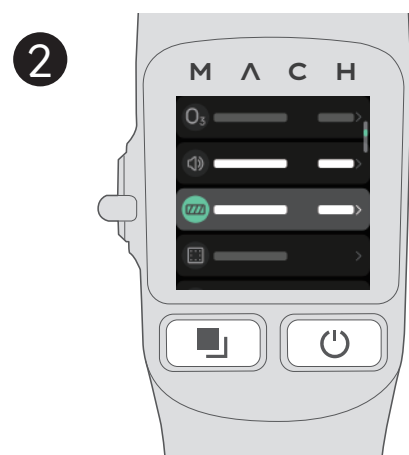
Uso del menú

En el menú puede acceder a otras funciones e información adicional.






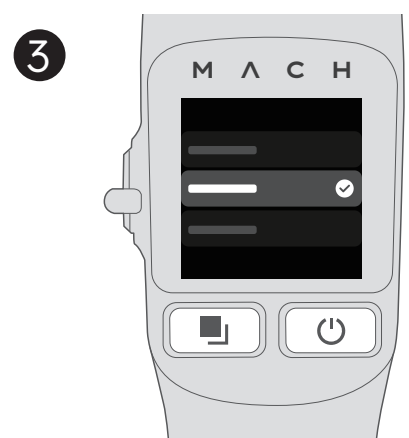
Mantenga pulsado el botón de modo durante 1 segundo para acceder a las opciones del menú.

- Seleccionar un idioma.
- Ajustar el volumen.
- Activar o desactivar la desinfección con ozono EcoClean™. El icono O_3 aparece cuando esta función está habilitada.
- Restablecer la conexión wifi: La conexión wifi puede interrumpirse si se cambia de red. En este caso, restablezca la conexión wifi, vuelva a añadir el dispositivo a través de la aplicación eufy Clean y termine de configurar la red wifi.
- Ver la información básica del aspirador MACH.
- Restablecer la configuración de fábrica.
- Información sobre la vida útil de los materiales consumibles, como el cepillo giratorio y el filtro. Si el material consumible se ha reemplazado por uno nuevo, puede reiniciar la barra de progreso para volver a llevar un control de la vida útil.

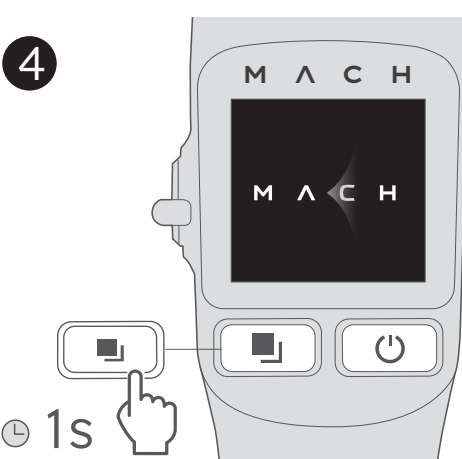


Pulse el botón de modo o de encendido para seleccionar una opción y luego presione el gatillo para confirmarlo.

-  Seleccionar la siguiente opción del menú
-  Seleccionar la opción anterior del menú
-  Confirmar la selección



Para seleccionar un submenú, repita el paso 2.



Después de la configuración en el menú, mantenga pulsado el botón de modo durante 1 segundo para salir.

Indicación de luz de estado

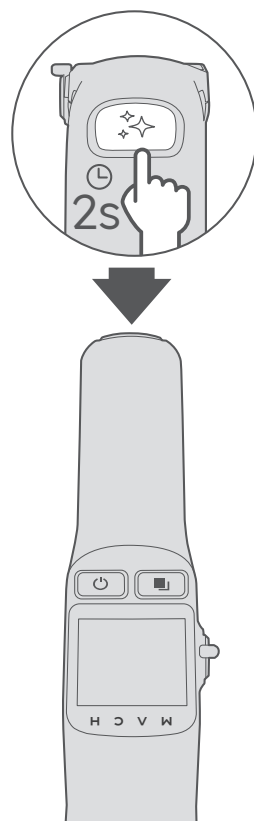
Luces de estado	Indicación		Estado
Luz de estado de ozono		Blanco fijo	Activar desinfección con ozono
	Apagado		Desactivar desinfección con ozono
Luz de estado de ozono		Rojo intermitente	Indican que necesita iniciar la autolimpieza o limpiar el depósito para agua sucia



- Cuando el aspirador MACH esté en posición vertical e inactivo durante 5 minutos, y no haya iniciado la autolimpieza ni haya limpiado el depósito para agua sucia, las luces rojas de estado parpadearán y seguirán así 5 minutos como máximo.
- Para apagar las luces rojas de advertencia, siga las instrucciones en pantalla para iniciar la autolimpieza o limpiar el depósito para agua sucia.
- También puede apagar las luces rojas a través de la aplicación eufy Clean.

Cómo activar o desactivar las indicaciones de voz

Mantenga pulsado el botón de autolimpieza durante 2 segundos para activar o desactivar las indicaciones de voz.



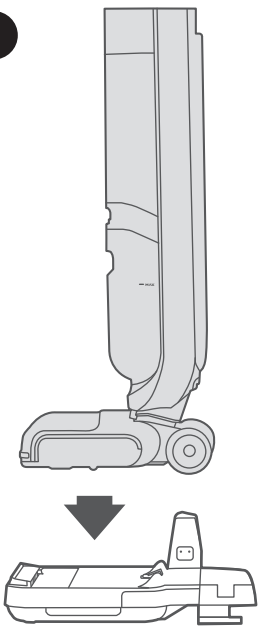
Mantenimiento

Autolimpieza y autosecado



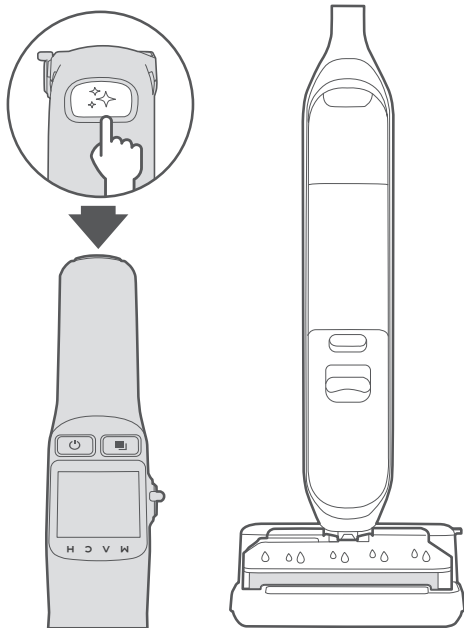
- Procure llenar hasta más de la mitad el depósito para agua limpia antes de la autolimpieza.
- Para evitar cualquier daño al cabezal de la mopa del aspirador MACH, no lo enjuague ni lo sumerja en agua.
- No quite la tapa del cepillo giratorio durante la autolimpieza. Fíjese si la tapa del cepillo rodante esté colocada en su lugar para evitar daños en el aspirador MACH o lastimarse los dedos.

1



Después de limpiar, coloque el aspirador MACH en la base de carga.

2



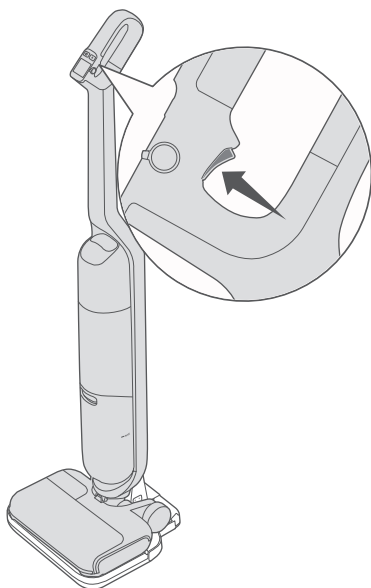
Pulse el botón de autolimpieza.

- El aspirador MACH limpiará y secará automáticamente el cepillo giratorio.
- Para conseguir una limpieza más eficaz, encienda el control del limpiador de pisos antes de iniciar la autolimpieza.
- Cuando el cepillo giratorio comience a secarse automáticamente, el sistema le indicará que limpie el depósito para agua sucia.

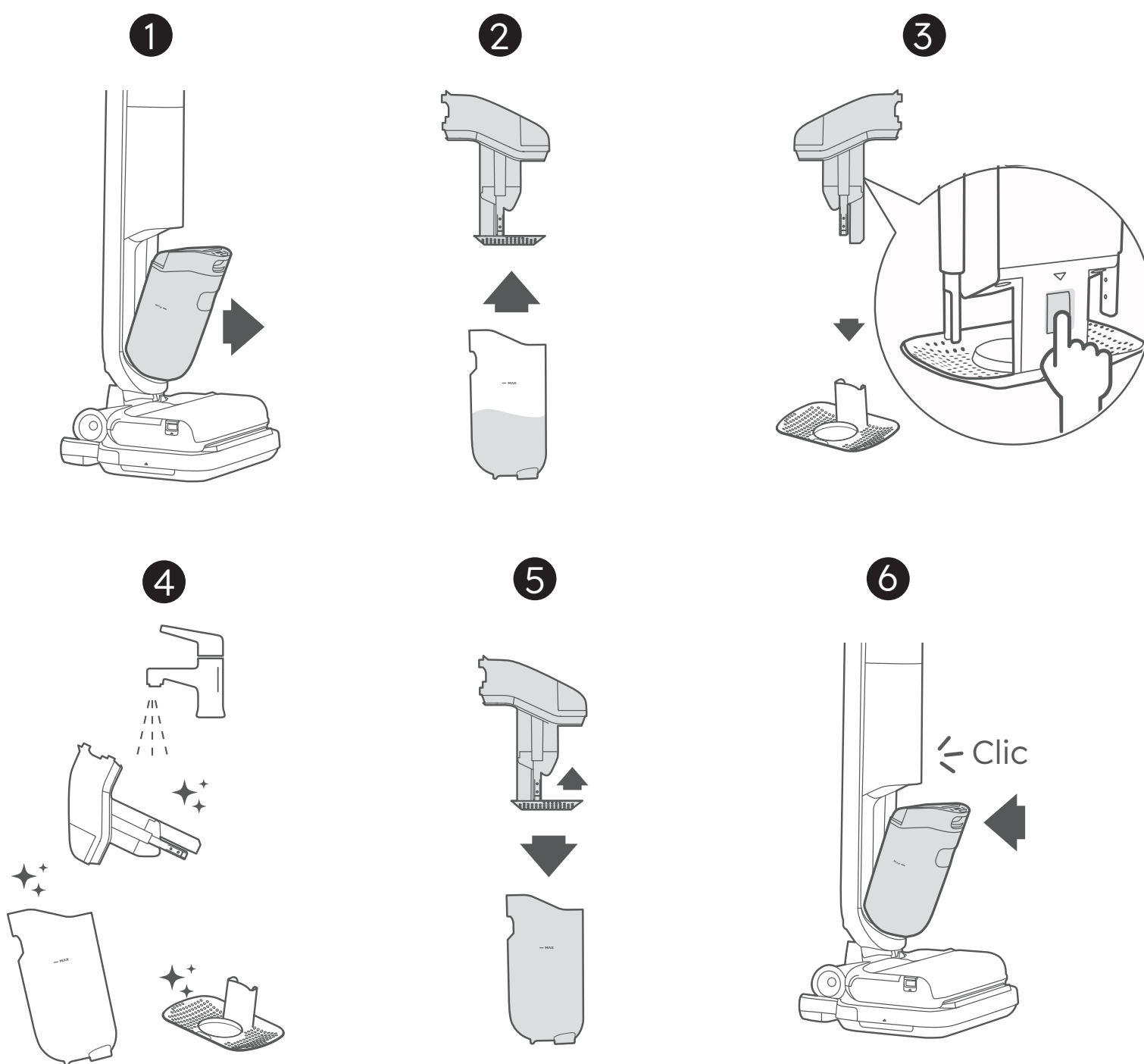
Secado del cepillo giratorio

Si solo necesita secar el cepillo giratorio, deje presionado el gatillo durante 2 segundos cuando el aspirador MACH esté en la base de carga.

- El aparato comienza con el proceso de secado del cepillo giratorio.



Limpieza el depósito de agua sucia



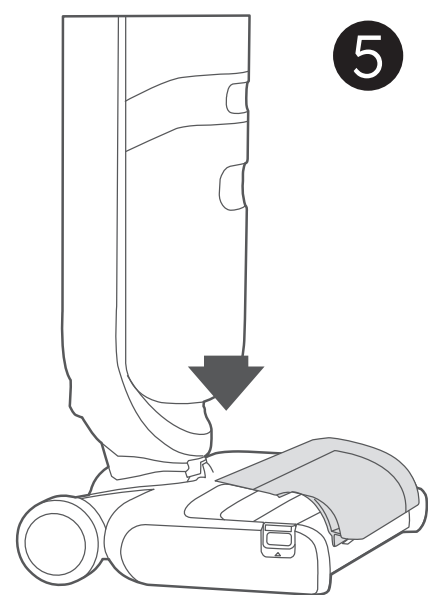
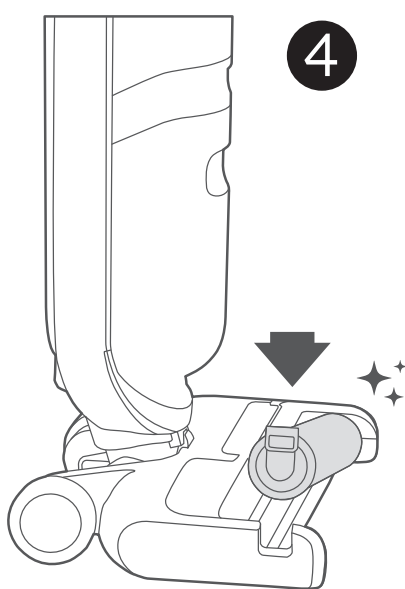
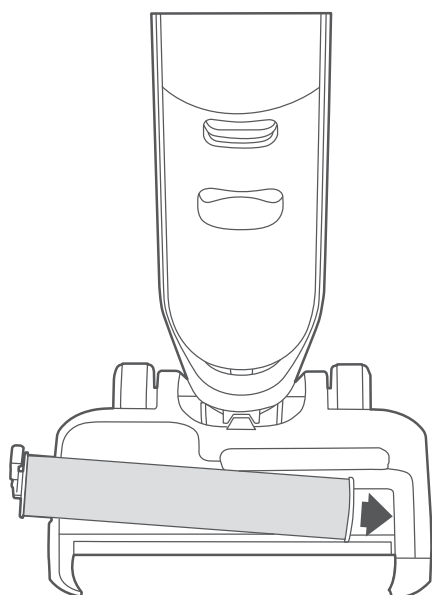
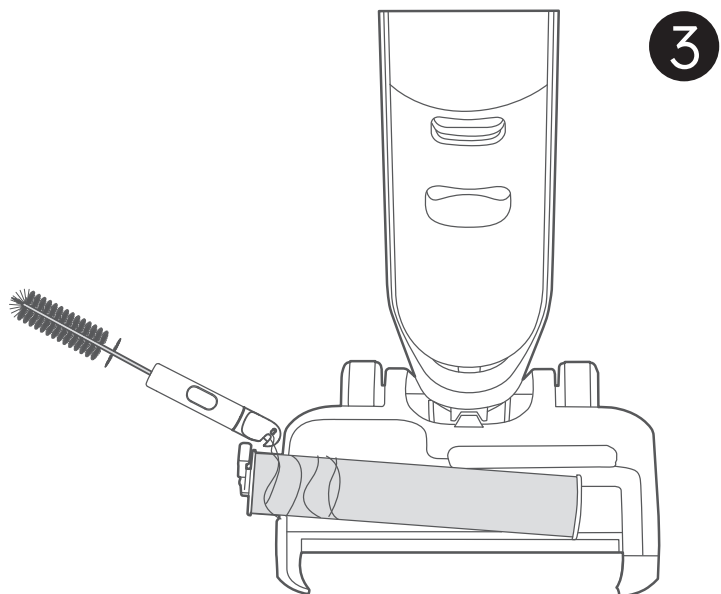
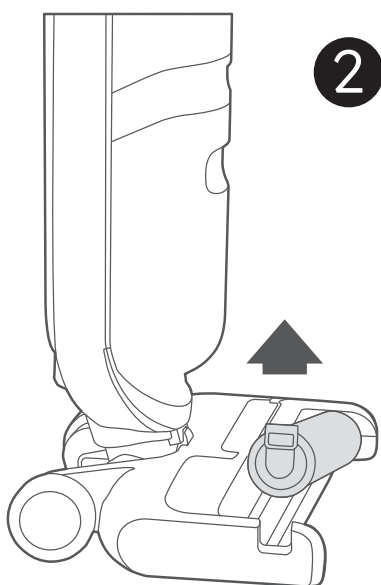
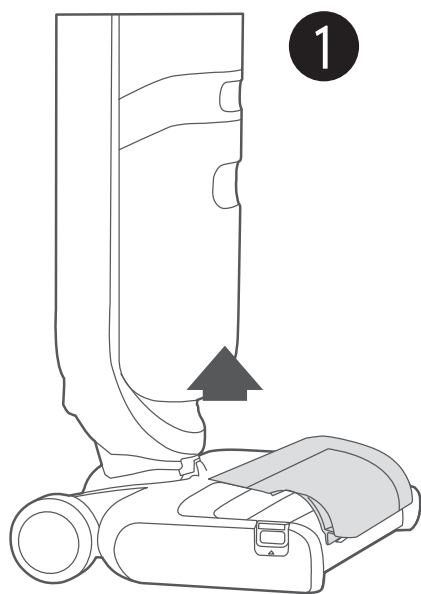
- 1 Retire el depósito para agua sucia.
- 2 Separe el recipiente superior del depósito para agua sucia.
- 3 Retire el separador de residuos secos.
- 4 Enjuague bien con agua el depósito para agua sucia y todas sus piezas.
- 5 Vuelva a montar el depósito para agua sucia.
- 6 Fije de nuevo el depósito para agua sucia al aspirador MACH.

Limpiar el cepillo giratorio manualmente

El cepillo giratorio multisuperficies se puede limpiar automáticamente a través del sistema de autolimpieza, pero algunas sustancias extrañas, como el pelo, pueden quedar enredadas fácilmente en el cepillo giratorio, por lo que es mejor limpiarlo de forma manual si esto ocurre.



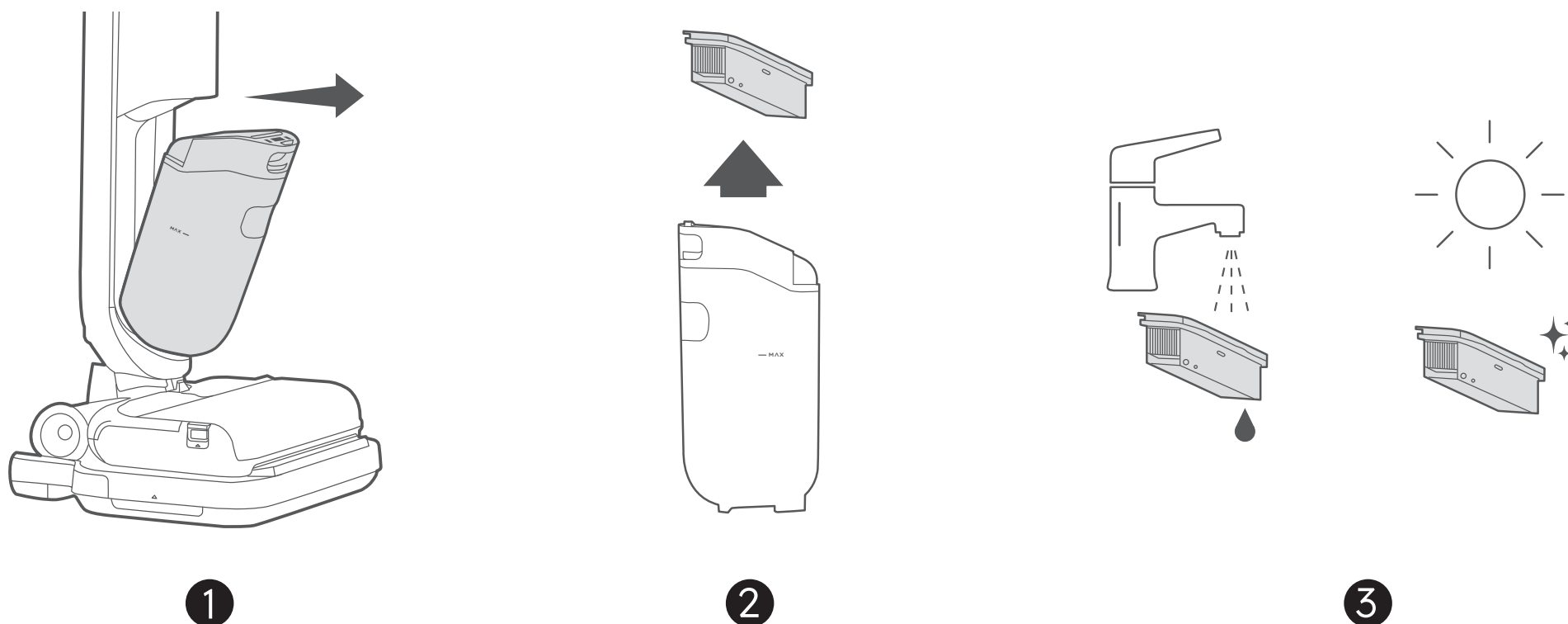
• Antes de quitar la tapa del cepillo giratorio, compruebe que el aspirador MACH esté apagado.



- 1 Tire hacia afuera para abrir la tapa.
- 2 Pulse el botón de extracción y luego tire de él para quitar el cepillo giratorio.
- 3 Limpie el cepillo giratorio con la herramienta de limpieza incluida.
- 4 Vuelva a colocar el cepillo giratorio: Encaje el extremo del cepillo giratorio en el lado derecho del soporte y después presione hacia abajo el botón de extracción del lado izquierdo del soporte. Compruebe que el cepillo giratorio esté bien instalado porque, de lo contrario, podría dañarse al usarlo.
- 5 Vuelva a poner la tapa del cepillo giratorio.

Limpiar el filtro de alto rendimiento

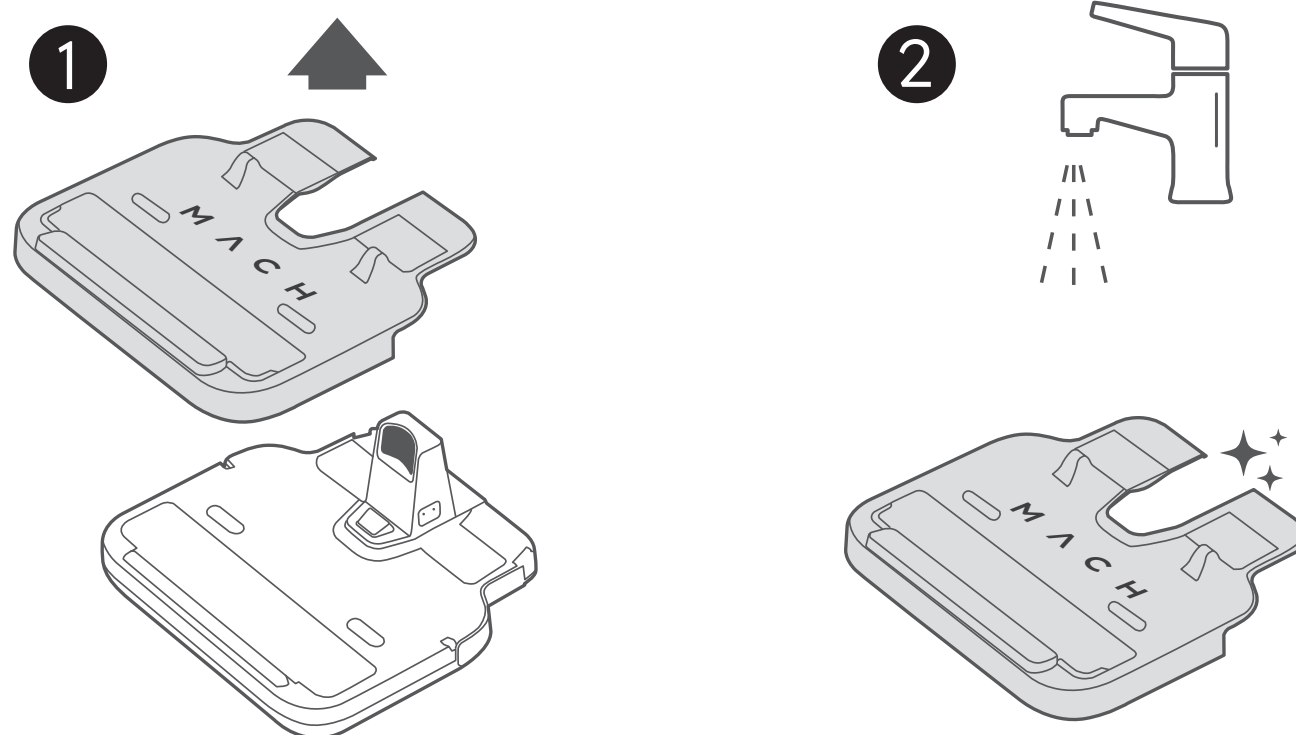
Se recomienda limpiar el filtro una vez por semana.



- 1 Retire el depósito para agua sucia.
- 2 Retire el filtro de alto rendimiento.
- 3 Lave y aclare el filtro y séquelo del todo antes de volver a usarlo.

Limpiar la tapa extraíble

Se recomienda limpiar la tapa una vez por semana.



- 1 Quite la tapa.
- 2 Lave y enjuague bien la tapa.

Solución de problemas

Si el aspirador MACH no funciona correctamente:

- Asegúrese de que la batería está completamente cargada.
- Recuerde que debe tirar del mango y compruebe que escucha el clic correspondiente antes de usarla.
- Revise el cepillo giratorio para ver si está atascado.

La potencia de succión es menor o se produce un ruido fuerte:

- Compruebe si hay algún objeto atascado en la boquilla.
- Compruebe que el depósito para agua sucia esté colocado correctamente.
- Fíjese si el depósito para agua sucia y la esponja del filtro están limpios.

Especificaciones

Modelo	V1
Tensión nominal (base de carga)	100-240 V CA
Duración de la batería	Autonomía de hasta 45 minutos (en modo inteligente) * Según datos recogidos en laboratorio. Pueden variar según el uso y las condiciones del entorno reales.
Energía de la batería	84.36 Wh
Capacidad de la batería	3800 mAh
Tiempo de carga	≤4 horas
Ruido	65 dBA, calculado según el SPL (nivel de presión sonora)
Capacidad del depósito de agua limpia	820 ml
Capacidad del depósito de agua sucia	720 ml

Servicio de atención al cliente

Para ver tutoriales en vídeo, preguntas frecuentes, manuales y demás información, visite:

<https://support.eufylife.com>

Garantía: garantía limitada de 24 meses

Contáctenos



support@eufylife.com



www.eufylife.com



(US/CA) +1 (800) 994 3056

(UK) +44 (0) 1604 936200

(DE) +49 (0) 69 9579 7960

(日本) +81 03 4455 7823

Para obtener más números de teléfono de asistencia, visite:

<https://support.eufylife.com/s/phonecontactus>

O escanee el código QR :



Escanee este código QR para acceder a los manuales de usuario en otros idiomas.



MACH hace todo lo posible por mejorar el rendimiento del producto y garantizar la fiabilidad del manual del fabricante. Si existe alguna discrepancia entre las ilustraciones y el funcionamiento real debido a actualizaciones de software, prevalecerá el rendimiento real del producto. MACH se reserva el derecho a modificar este manual del fabricante sin previo aviso.



@EufyOfficial



@EufyOfficial



@EufyOfficial



@EufyOfficial