



Owner's Manual HomeVac



For FAQs and more information, please visit:
www.eufylife.com

Product Number T2401
Vacuum Cleaner
SM-A444-V04

IMPORTANT SAFETY INSTRUCTIONS

When using an electrical appliance, you should always follow these basic precautions.

READ ALL INSTRUCTIONS BEFORE USING YOUR VACUUM CLEANER WARNING - TO REDUCE THE RISK OF FIRE, ELECTRIC SHOCK, OR INJURY:

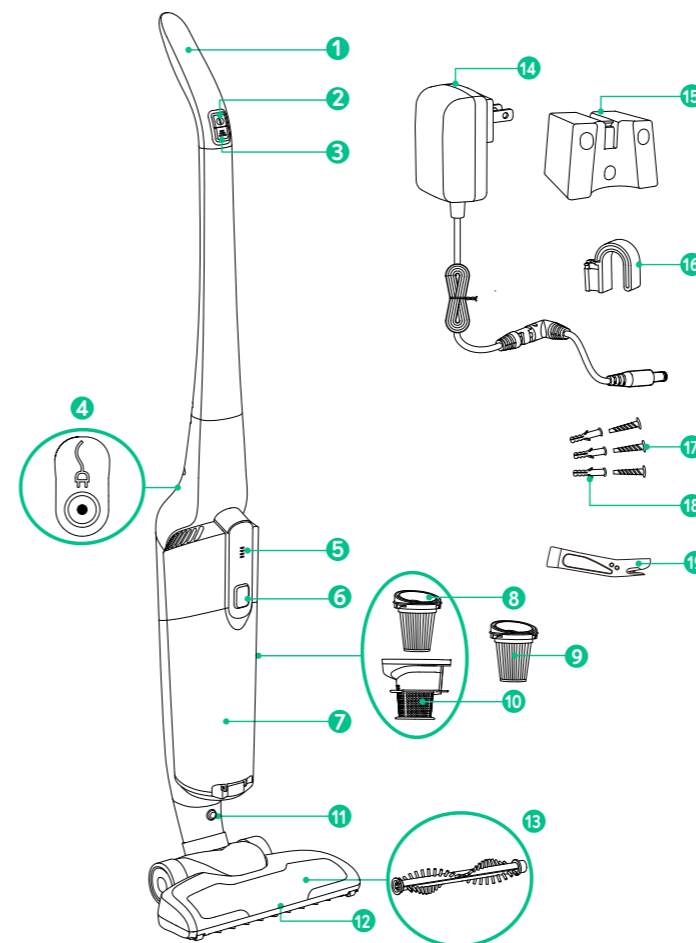
- Fully assemble before operating.
- Intended for household use only.
- Do not use outdoors or on wet surfaces.
- Do not leave the vacuum cleaner unattended when it is plugged in. Unplug it from the outlet when you are not using it and before servicing.
- Do not allow to be used as a toy. Close attention is necessary when used by or near children.
- Use only as described in this manual. Use only manufacturer recommended attachments.
- For the purposes of recharging the battery, only use the detachable power supply unit provided with this device.
- Do not use with a damaged cord or plug. If the appliance is not working as it should, or has been dropped, damaged, or submerged in water, contact our customer service for advice.
- Do not handle the plug or appliance with wet hands.
- Do not unplug the adapter by pulling on the cord. To unplug, grasp the plug, not the cord.
- Do not pull the cord around sharp edges or corners. Do not run the appliance over the cord. Keep the cord away from heated surfaces.
- Do not put any object into openings or vents. Do not use if any opening is blocked. Keep free of dust, lint, hair, and anything else that may reduce airflow.
- Keep hair, loose clothing, fingers, and other body parts away from openings and moving parts.
- Turn off all controls before unplugging.
- Use extra care when cleaning on stairs.
- Always turn off this appliance before connecting or disconnecting the motorized floor brush.
- To prevent unintentional starting, ensure the appliance is switched off before installing the battery pack, picking up or carrying the appliance. Do not carry the appliance with your finger on the power switch, doing so may cause accidents.
- Do not use to pick up flammable or combustible liquids, such as gasoline, or use in areas where they may be present.
- Do not pick up anything that is burning or smoking, such as cigarettes, matches, or hot ashes.
- Do not pick up hard or sharp objects such as glass, nails, screws, coins, etc.
- Do not use without the dust collector and/or filters in place.
- Store your vacuum cleaner indoors, in a cool and dry area.
- Make sure that the outlet voltage corresponds to the voltage rating on the charger's label.
- Recharge only with the charger JOD-S-360040A1 or JOD-S-360040JP specified by the manufacturer. A charger that is suitable for one type of battery pack may cause a risk of fire when used with another battery pack.
- Do not attempt to repair or disassemble the appliance. There are no user-serviceable parts inside. Repair or service must be performed by a qualified repairman and only identical replacement parts can be used. This will ensure the safety of the appliance.
- This appliance is not intended for use by persons (including children) with reduced physical, sensory or mental capabilities, or lack of experience and knowledge, unless they have been given supervision or instruction concerning use of the appliances by a person responsible for their safety.
- Children should be supervised to ensure that they do not play with the vacuum.
- This appliance can be used by children aged from 8 years and above and persons with reduced physical, sensory or mental capabilities or lack of experience and knowledge if they have been

given supervision or instruction concerning use of the appliance in a safe way and understand the hazards involved. Children shall not play with the appliance. Cleaning and user maintenance shall not be done by children without supervision.

- This appliance includes a rechargeable lithium-ion battery pack. Do not expose the battery pack or appliance to fire or excessive temperature (above 130°C), as it may catch fire and/or explode.
- Do not use a damaged or modified battery pack, as it may catch fire and/or explode.
- Charging, using and storage of the appliance should be within the ambient temperature range of 0-40°C.
- Follow all the charging instructions and do not charge the battery pack out of the temperature range specified in the instructions, otherwise, it may damage the battery and increase the risk of fire.
- Do not attempt to disassemble the battery pack.
- The battery must be removed from the device before the device is disposed of.
- The device must be disconnected from the mains supply when removing the battery.
- To remove the battery from the device, you first need to disassemble the main body enclosure using a screwdriver. When you remove it, you will see the battery pack. Disconnect all the quick connectors on the PCB and remove the PCB from the battery pack by screwdriver. Caution must be given to prevent accidental short-circuiting of the battery.
- The used battery should be placed in a sealed plastic bag and disposed of safely according to local environmental regulations.
- Leaks from battery cells can occur under extreme conditions. If any liquid gets on the skin, wash quickly with soap and water. If any liquid gets into the eyes, do not rub eyes, immediately flush them with clean water continuously for a minimum of 15 minutes. Seek medical attention immediately.

SAVE THESE INSTRUCTIONS

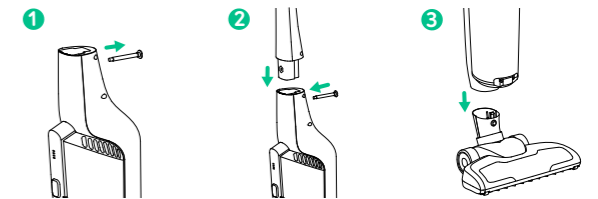
At a Glance



- | | |
|---------------------------------|-------------------------------|
| 1 Handle | 11 Floor brush release button |
| 2 On / Off button | 12 Headlights |
| 3 Power saving button | 13 Rolling brush |
| 4 Charging socket | 14 Charging adapter |
| 5 Power indicator | 15 Wall mount |
| 6 Dust collector release button | 16 Mounting hook |
| 7 Dust collector | 17 Screws (x3) |
| 8 HEPA-style filter | 18 Plastic wall anchor (x3) |
| 9 Spare HEPA-style filter | 19 Cleaning tool |
| 10 Pre-filter | |

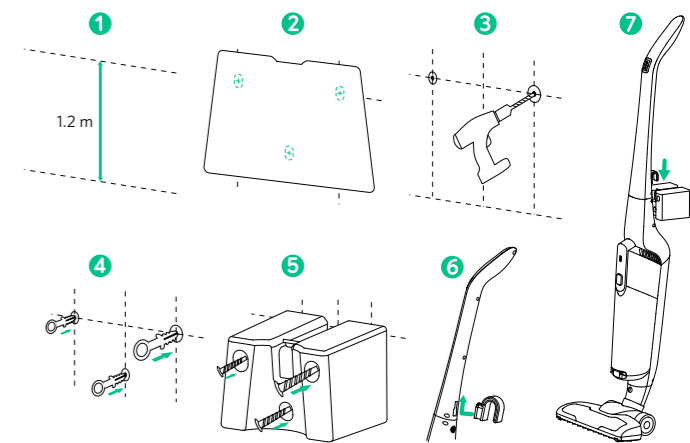
Assembling Your HomeVac

- Unscrew the bolt.
- Insert the handle into the main body and secure with the bolt.
- Lower the main body onto the floor brush until it clicks into place.



⚠ Be careful not to trap the wire when inserting the handle into the main body.

Wall Mounting Your HomeVac



Make sure there is a power outlet nearby.

- Measure 1.2 meters above the ground.
- Cut out the Drill Hole Marker on Page 7.
- Paste the Drill Hole Marker on the wall and drill 3 holes as marked.
- Push the plastic wall anchors fully into the holes.
- Screw the wall mount into place.
- Slip the wall mounting hook into the slot.
- Slide HomeVac down into the holder.

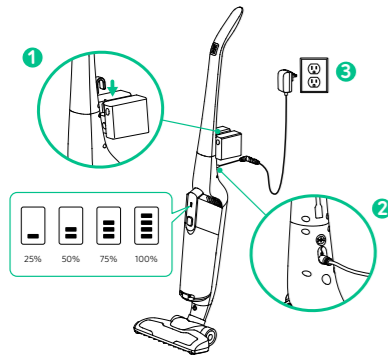
Using Your HomeVac

- Press **⏻** to turn HomeVac on.
- Press **⏻** to toggle between Normal and Power Saving Mode.

⚠ If suction power is low, empty the dust collector, clean the filter and remove any obstructions from the nozzle.

Charging Your HomeVac

- The battery needs to be fully charged before the first use.
- Never operate HomeVac when it is charging.



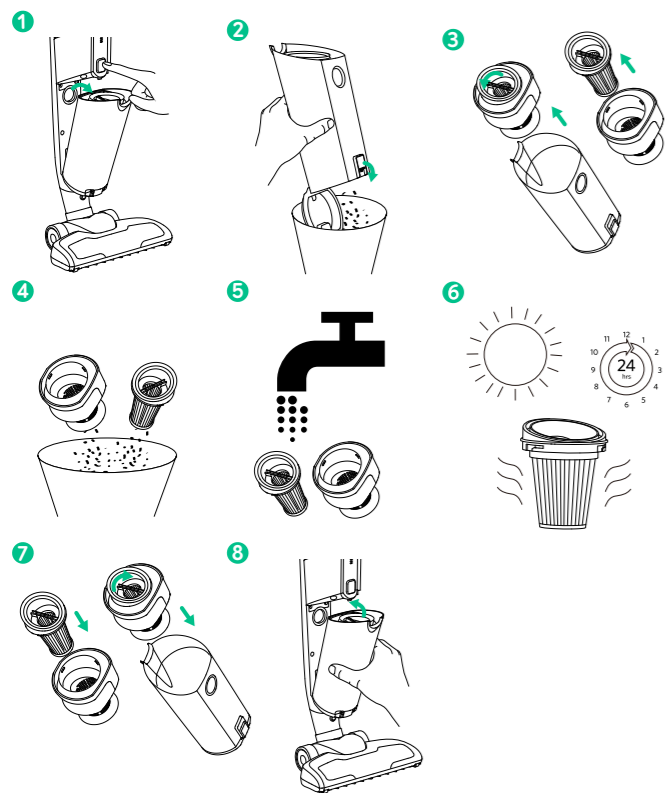
- 1 Mount HomeVac onto the wall.
- 2 Insert the round connector into the charging socket.
- 3 Plug the adapter into a wall outlet.

The power indicator will flash when battery is low.

Cleaning and Maintenance

- Always unplug HomeVac from the main supply before cleaning or maintenance.

• Clean the dust collector and filters



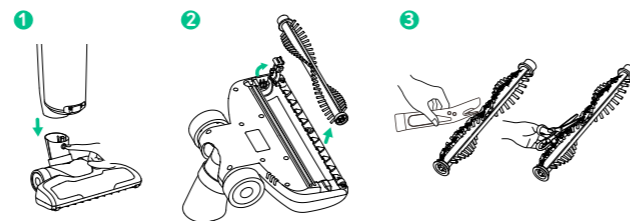
- 1 Press the dust collector release button to separate the dust collector.
- 2 Hold the dust collector over a garbage can and then pull the tab near the bottom of the collector.
- 3 Remove and separate the filter assembly.
- 4 Empty dust from the dust collector and the HEPA-style filter weekly. Tap to remove excess dust.

- 5 Rinse the filter assembly with water if it becomes too dirty.
NOTE: Washing the HEPA-style filter with water will degrade its performance. After washing the filter three times, it is recommended to replace with a new one for best cleaning performance.
- 6 Air-dry the HEPA-style filter thoroughly before reusing. A wet filter may affect the cleaning power or even damage HomeVac.
- 7 Replace the filter assembly.
- 8 Insert the dust collector into the main body.

Excess dust inside the dust collector will clump together if moisture is present and reduce suction power. Regularly clean the dust collector to ensure strong suction power and to prevent unpleasant odors from developing.

• Clean the rolling brush

- 1 Press the floor brush release button to separate the floor brush.
- 2 Pull the locking button and lift the rolling brush out.
- 3 Carefully cut off any hair or fibers tangled in the rolling brush with the supplied cleaning tool or scissors.



Specifications

Model	T2401
Voltage	DC 28.8 V
Wattage	140 W
Size	261 × 220 × 1091 mm / 10.3 × 8.7 × 43.0 in

Notice

The symbol on the device or its packaging indicates:
Do not dispose of electrical appliances as unsorted municipal waste, use separate collection facilities. Contact your local authority for information regarding the collection systems available. If electrical appliances are disposed of in landfills or dumps, hazardous substances can leak into the groundwater and get into the food chain, damaging your health and well-being. When replacing old appliances with new ones, the retailer is legally obliged to take back your old appliance for disposal at least free of charge.

FCC Statement

This device complies with Part 15 of the FCC Rules. Operation is subject to the following two conditions: (1) This device may not cause harmful interference, and (2) this device must accept any interference received, including interference that may cause undesired operation.

Warning: Changes or modifications not expressly approved by the party responsible for compliance could void the user's authority to operate the equipment.

Note: This equipment has been tested and found to comply with the limits for a Class B digital device, pursuant to Part 15 of the FCC Rules. These limits are designed to provide reasonable protection against harmful interference in a residential installation.

This equipment generates, uses and can radiate radio frequency energy and, if not installed and used in accordance with the instructions, may cause harmful interference to radio communications. However, there is no guarantee that interference will not occur in a particular installation. If this equipment does cause harmful interference to radio or television reception, which can be determined by turning the equipment off and on, the user is encouraged to try to correct the interference by one or more of the following measures: (1) Reorient or relocate the receiving antenna. (2) Increase the separation between the equipment and receiver. (3) Connect the equipment into an outlet on a circuit different from that to which the receiver is connected. (4) Consult the dealer or an experienced radio / TV technician for help.

Customer Service

- 15-month limited warranty
- support@eufylife.com
- Lifetime technical support
- 1-800-988-7973 (US)
Mon-Fri 9am-5pm (PST)

@EufyOfficial @EufyOfficial @EufyOfficial @EufyOfficial

