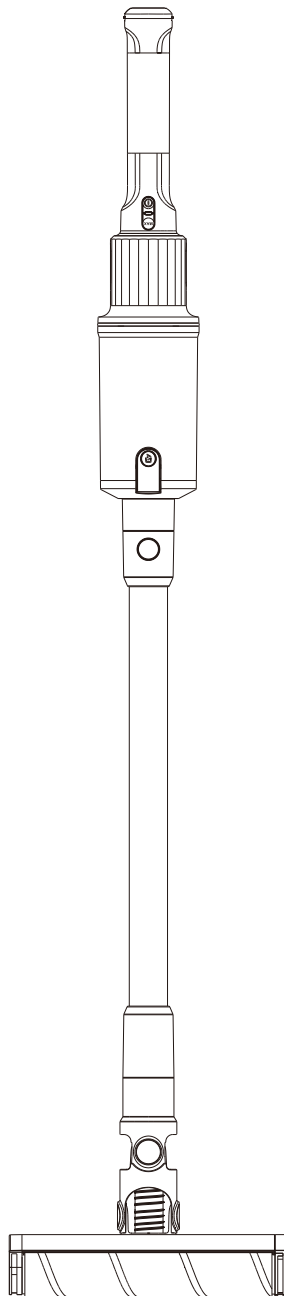


H11

Cordless Stick Vacuum Cleaner

User Manual



For more details, please
visit www.iliferobot.com

ILIFE

Thank you for choosing ILIFE H11 Cordless stick vacuum cleaner!
You've joined millions of people to get cleaning done robotically.

This user manual helps you to keep your vacuum cleaner performing at its best. Please take a few moments to read through it.

You may also connect with us on on social media by searching "ILIFE", to enjoy exclusive benefits:

- Get model-specific customer support, including Q&A, maintenance tips, demo videos, live chat and more;
- Get the most recent product updates including new product launches, exclusive discounts and special promotions.

You may find us on:

Facebook: <https://www.facebook.com/iliferobotics>

Twitter: <https://twitter.com/iliferobotics>

Youtube: <https://www.youtube.com/c/ILIFERobotics>

If you have any questions, please contact our customer service for assistance or visit www.iliferobot.com for more information.

Enjoy home cleaning performed by ILIFE H11.

ILIFE Innovation

ILIFE Customer Service

Russia



89299401228 (Mon-Fri: 9:00 - 18:00)



service_russia@iliferobot.com

Other countries



support@iliferobot.com

Contents

1. Important Safety Instructions	1
2. Product Parts List	5
2.1 Storage mode	5
3. Product Parts Schematic	6
4. Product Technical Parameters	7
5. Product Introduction	8
5.1 Assembling the cordless vacuum cleaner	8
5.2 Operating	10
5.3 Charge the battery	11
6. Maintenance	12
6.1 Product maintenance	12
7. Trouble Resolutions	14
7.1 Battery removal and disposal	14
8. Warranty Information	15



SAFETY INSTRUCTIONS

- When using electrical appliances, basic safety precautions should always be followed.
- This appliance can be used by children aged from 8 years and above and persons with reduced physical, sensory or mental capabilities or lack of experience and knowledge if they have been given supervision or instruction concerning use of the appliance in a safe way and understand the hazards involved.
- Children shall not play with the appliance, cleaning and user maintenance shall not be made by children without supervision.
- This appliance is not a toy.
- Unless they are older than 8 and under supervision, children should not use or maintain the appliance.
- Keep the appliance out of the reach of children when it is switched on or cooling down.
- Make sure that the input voltage of the vacuum cleaner's adapter fits your local voltage before connecting the appliance to the power for charging.
- Dry your hands before operating the appliance.
- Do not pull the cord to remove the adapter from the mains power supply, unplug the appliance by hand.
- Do not use the adapter to recharge non-rechargeable batteries.
- Do not use any damaged accessories or adapters.
- Do not use the appliance if it has been dropped or if there are visible signs of damage.
- Do not use the appliance for anything other than its intended use.
- Do not use any parts/accessories or adapters other than those supplied with this appliance, as this may cause damage.
- Do not use this appliance outdoors.
- Do not use this appliance if any of the openings are blocked.

Important Safety Instructions

- Do not use the appliance to pick up flammable liquid, matches, cigarette ends, hot ashes or any hot, burning or smoking objects.
- The hose should be checked regularly and must not be used if damaged.
- Take care when equipping accessories with rotating parts as this could cause entrapment.
- Switch off the appliance and disconnect it from the mains power supply before changing or fitting accessories.
- Always ensure that the appliance has fully cooled before maintaining the appliance or cleaning.
- The use of an extension cord with the appliance is not recommended.
- Only use the appliance with the power supply unit provided.
- Do not operate this appliance by an external timer or separate remote control system.
- This appliance is intended for domestic use only. It should not be used for commercial purposes.
- Improper repairs may place the user at risk of harm.
- This appliance contains no user-serviceable parts. If the power supply cord, plug or any part of the appliance is malfunctioning or if it has been dropped or damaged, only a qualified electrician should carry out repairs.
- Keep the appliance away from heat or sharp edges that could cause damage.
- Keep the appliance away from other heat-emitting appliances.
- Keep the appliance free from dust, lint, hair or anything that may reduce the airflow of the appliance.
- Do not immerse the appliance in water or any other liquid.
- Do not expose the appliance to rain.
- Do not store the appliance in direct sunlight or in high humidity conditions.

- **Caution:** The extension tube contains electrical connections. Do not use to suck up water. Do not immerse in water for cleaning. The extension tube should be checked regularly and must not be used if damaged.



BATTERY SAFETY

- If the battery pack becomes exhausted quickly after fully charged, it should be removed from the product to avoid leakage.
- In the event of the battery pack leaking, do not allow any liquid to come into contact with the skin or eyes.
- If the contact has been made, wash the affected area with copious amounts of water and seek medical advice.
- Keep the battery pack out of reach of children.
- Do not leave battery packs on charge for prolonged periods of time.
- Do not use any charger other than that specifically provided for use with the product.
- The supply terminals are not to be short-circuited.
- Do not use any battery packs that are not designed for this product.
- Do not dispose of the battery pack in a fire.
- Do not crush, puncture, dismantle or otherwise damage the battery pack.
- Do not dismantle, open or shred battery packs.
- Do not expose the battery pack to heat or fire as it may explode.
- Do not subject the battery pack to mechanical shock.
- Do not dispose of the exhausted battery pack in household waste.
- The plug must be removed from the socket-outlet before cleaning or maintaining the appliance.
 - the battery must be removed from the appliance before it is scrapped.
 - the appliance must be disconnected from the supply mains when removing the battery.
 - the battery is to be disposed of safely.
- To dispose of the exhausted battery pack, take it to a local recycling station, contact the local government offices for further details, this appliance is fitted with a 14.8V 2200mAh Li-ion rechargeable battery.

Important Safety Instructions



WARNING

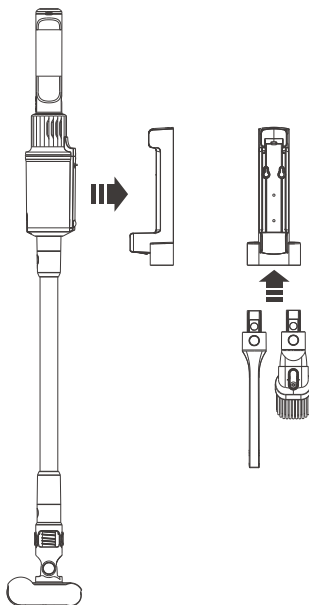
Read all safety warnings and instructions. Failure to follow the warnings and instructions may result in electric shock, fire and/or serious injury.

1. Prevent unintentional starting. Ensure the switch is in the off position before connecting to the battery pack, picking up or carrying the appliance. Carrying the appliance with your finger on the switch or energizing appliance that have the switch on invites accidents.
2. Disconnect the battery pack from the appliance before making any adjustments, changing accessories or storing the appliance. Such preventive safety measures reduce the risk of starting the appliance accidentally.
3. Recharge only with the charger specified by the manufacturer. Chargers that are suitable for other battery packs may cause risk when charging this appliance.
4. Use the appliances only with specifically designated battery packs. The use of any other battery packs may create a risk of injury and fire.
5. When the battery pack is not in use, keep it away from other metal objects, like paper clips, coins, keys, nails, screws or other small metal objects, that can make a connection from one terminal to another. Shorting the battery terminals together may cause burns or a fire.
6. Under abusive conditions liquid may be ejected from the battery, avoid contact. If contact accidentally occurs, flush with water. If liquid contacts eyes, additionally seek medical help. Liquid ejected from the battery may cause irritation or burns.
7. Do not use a battery pack or appliance that is damaged or modified. Damaged or modified batteries may exhibit unpredictable behavior resulting in fire, explosion or risk of injury.
8. Do not expose a battery pack or appliance to fire or excessive temperature. Exposure to fire or temperature above 130°C (265°F) may cause an explosion.
9. Follow all charging instructions and do not charge the battery pack or appliance outside of the temperature range specified in the instructions. Charging improperly or at temperatures outside of the specified range may damage the battery and increase the risk of fire.
10. Have servicing performed by a qualified repair person using only identical replacement parts. This will ensure that the safety of the product is maintained.
11. Do not modify or attempt to repair the appliance or the battery pack (as applicable) except as indicated in the instructions for use and care.

Storage mode

Hang on the wall mounting bracket.

When the accessories are not needed, the accessories can be vertically inserted into the wall bracket for storage.

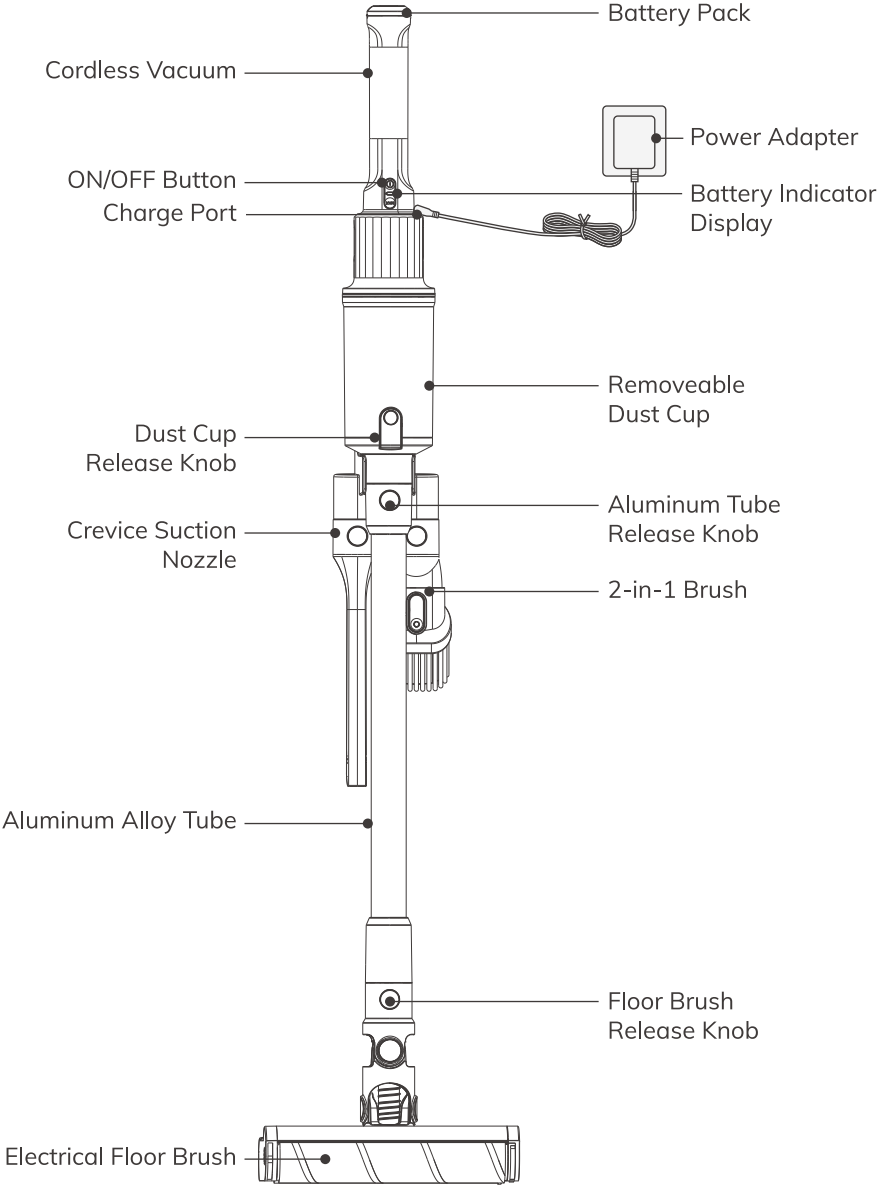


What's in box?

Please check if all the accessories are in the package box.

Name	Quantity
Cordless Vacuum	1
Aluminum Alloy Tube	1
Electric Floor Brush	1
2-in-1 Brush	1
Crevice Suction Nozzle	1
Wall Bracket	1
Power Adapter	1
Extra Filter	1
Warranty Card	1
User Manual	1

Product Parts Schematic



Product Technical Parameters

Vacuum cleaner	Color	Gray
	Dimension	112*24*14 cm
	Net weight	1.98 kg
	Gross weight	3 kg
	Rated voltage	14.8V
	Rated power	110W
	Dust cup capacity	0.2L
	Vacuum	Min ~ 8Kpa Max ≤ 16Kpa
	Usage time	Max ~ 15mins Min ~ 30mins
	Noise	≤78dB. @1.5m
Battery	Battery capacity	2200mAh
	Charging time	≤5Hrs
	Battery voltage	14.8V
Adapter	Power adapter input	100-240VAC ~ 50/60Hz 0.3A Max.
	Power adapter output	18V DC 500mA
Floor brush	Rated voltage	14.8V
	Rated power	15W

Product Introduction

Assembling the cordless vacuum cleaner

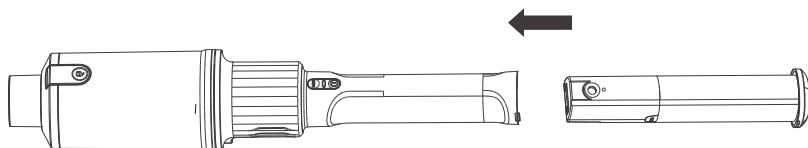
Note:

Before using the cordless vacuum cleaner for the first time, clean it with a soft, damp cloth and dry thoroughly.

Do not immerse the cordless vacuum cleaner in water or any other liquid.

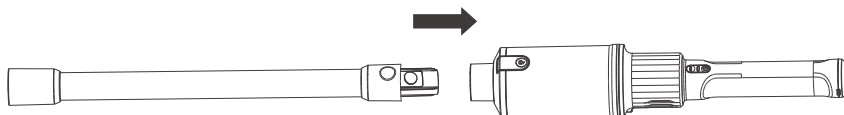
1 Assembling the battery pack

Fit the battery pack onto the main body base until it clicks into the position. If need to remove the battery pack, hold the main body, press the release knob and remove the battery pack.



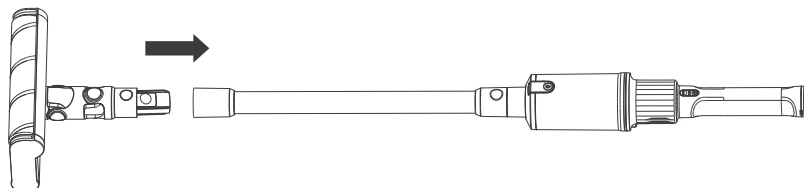
2 Assembling the aluminum tube

Fit the tube onto the main body's air inlet until it clicks into the position. If need to remove the tube, hold the main body, press the release knob and remove the tube.



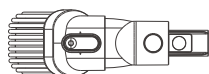
3 Assembling the electrical floor brush

Fit the electrical floor brush on the tube until it clicks into the position. If need to remove the electrical floor brush, hold the aluminum tube, press the floor brush release knob and remove the brush from the tube.



4 Assembling the 2-in-1 brush or the crevice suction nozzle

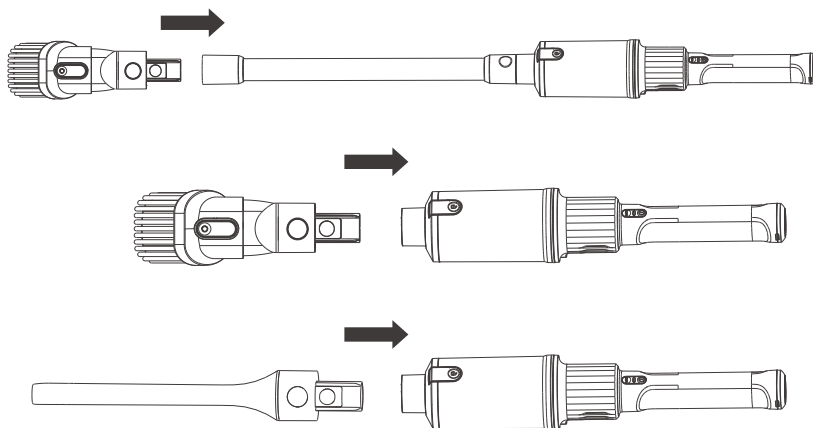
Fit the accessory on the main body's air inlet and/or on the tube until it clicks into the position.



2 in 1 Suction Nozzle



Crevice Suction Nozzle



Suitable for cleaning small surface, slit or surface of irregular objects, such as corners, windows slit, inner of the appliances, drawer, keyboard, etc.

Product Introduction

Operating

Step 1. Preparation

Please make sure the battery power is sufficient before using it. It's recommended to charge the vacuum cleaner for 5 hours.

Step 2. Start to work

Press the button to start the machine, and press again to stop working.



Step 3. Switch working modes

The default mode of the vacuum cleaner is normal mode (8kpa), and the maximum mode (16kpa) can be switched by pressing the MAX button once. Pressing the second button will return you to normal mode.



Step 4. Empty the dust cup and clean the filter kit

It's recommended to empty the dust cup after every use. The filter kit inside is washable and recyclable. Rinse the filter kit and set it back after it's air-dried.

Note:

When the device is working, the battery indicator lights up green and it turns red in MAX Mode. The device will go off when its power capacity is running out.

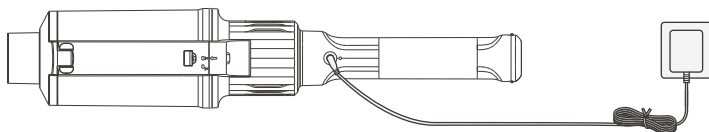
Warning:

Do not use the cordless vacuum cleaner when the removable filter or dust cup is not in position.

Charge the battery

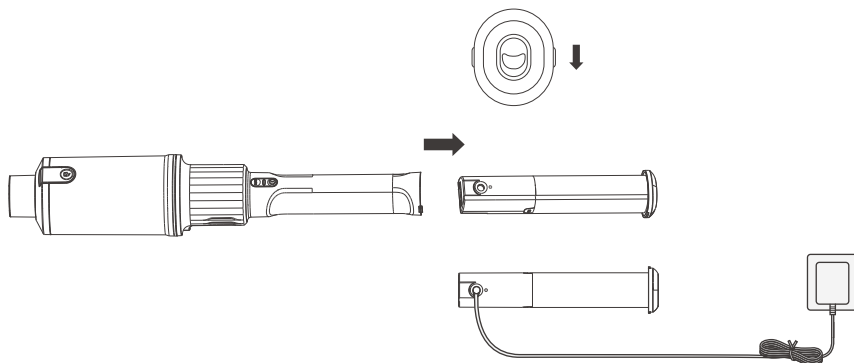
1 Turn off the cordless vacuum cleaner.

- Charge the battery after putting it to the appliance.
(It's recommended to charge in this way since the LED Indicator on the appliance show charging status.)



2 Charge the battery directly.

- Press the button and then take out the battery to charge it directly.



When it is charging, the battery indicator blinks red and then turns green after fully charged.

- **Warning:** Do not use any main power adapter other than that supplied. Using an alternative will increase the risk of injury and/or damage to the main product.

Maintenance

Product maintenance

It's suggested to do some maintenance to max its performance as well as prolong its service life.

1 Main body maintenance (handheld part)

- ⚠ Please turn off the appliance before cleaning it.
- ⚠ Scrub the appliance with water or neutral detergent. Make sure the cloth is wrung before the scrubbing and prevent the water from flowing into the inner machine.
- ⚠ Do not place the appliance in sunlight or wet places after cleaning.

2 Dust cup & filter

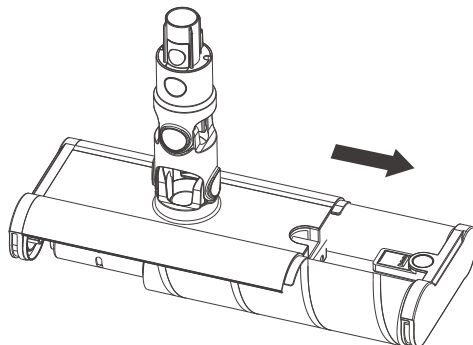
The dust cup of this product adopts transparent design. Please pay close attention to the dust conditions of the dust cup and filter. Regular cleaning ensures product performance.

3 Dust cup cleaning

The sign —MAX— is full dust hint. Once the dust approaches or arrives —MAX—, please clean up promptly. In order to clean easily, it's recommended to remove the alluminum alloy tube and other parts.

4 Detachable fluff brush cleaning

Find the buckle on the left side of the floor head and open it up. Take out the fluff brush and remove the cords and hairs on it with scissors or the gifting cleaning brush in the package.

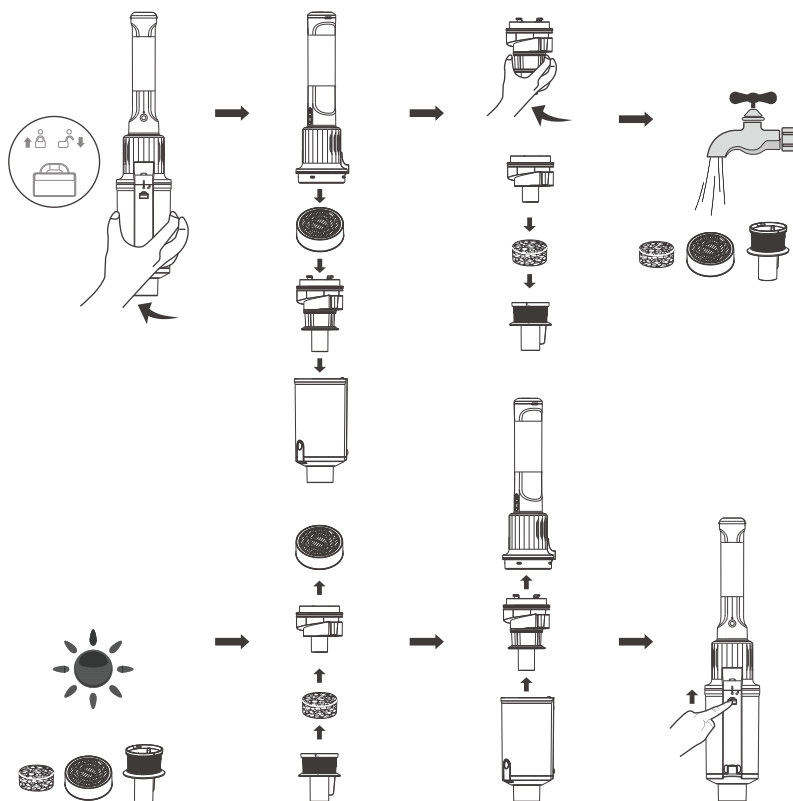


5 Clean the filter kit

To keep the best performance of the appliance, it's recommended to clean the filter kit every week, and rinse it at least once per month.

Tips: 6 steps to clean the filter kit

1. Counterclockwise rotation will separate the machine body from the dust cup.
2. Remove the filter element assembly directly from the dust cup.
3. Disassemble the filter element assembly counterclockwise.
4. Rinse the filter cover and filter element until they are clean.
5. Assemble the filter element assembly clockwise.
- (Make sure the filter element is air-dried before putting it back).
6. Reinstall the clean filter element component into the dust cup.



Note: Do not attempt to clean the dust cup with water; It's recommended to wipe the dust with a dry cloth or paper towel.

Trouble Resolutions

Common failure analysis and treatment

Symptom	Possible Cause	Solution
Vacuum cleaner doesn't work.	1. Low battery. 2. The main body's air vent is blocked.	1. Charge the battery. 2. Clean up the suction inlet.
Product suction weakens.	1. The dust cup and filter components are dusty. 2. The brush head was blocked with hair.	1. Clean up the dust cup and filter components. 2. Clean up the brush head and other accessories.
Motor has strange sound when working.	Main suction mouth or aluminum-alloy tube is blocked.	1. Clean up the blockage. 2. If it still doesn't work, please contact our customer service team.
Roller brush does not rotate.	The roller brush was blocked with hair.	Clean up all hair on the brush and unplug the cover of the brush to remove the hair on the roller.

Battery removal and disposal

- 1 Taking your cordless vacuum cleaner at the end of its long life is not easy in the garbage as it is fitted with a Li-ion battery, but disposed of it in an environmentally friendly way.
- 2 Discarded batteries are environmentally friendly and disposed of it is in accordance with applicable regulations.
 - Discharge the battery by running the appliance to stop the engine at idle.
 - Remove the battery from the appliance.
 - Dispose of the battery to a collection of chemical waste.

The manufacturer provides a warranty in accordance with the legislation of the customer's own country of residence, with a minimum of 1 year, starting from the date on which the appliance is sold to the end user.

The warranty only covers defects in material or workmanship.

The repairs under warranty may only be carried out by an authorized service center. When making a claim under the warranty, the original bill of purchase (with purchase date) must be submitted.

The warranty will not apply in cases of:

- Normal wear and tear.
- Incorrect use, e.g. overloading of the appliance, use of non-approved accessories.
- Use of force, damage caused by external influences.
- Damage caused by non-observance of the user manual, e.g. connection to an unsuitable mains supply or non-compliance with the installation instructions.
- Partially or completely dismantled appliances.

Correct disposal of this product

This marking indicates that this product should not be disposed of with other household wastes throughout the EU. To prevent possible harm to the environment or human health from uncontrolled waste disposal, recycle it responsibly to promote the sustainable reuse of material resources.



To return your used device, please use the return and collection systems or contact the retailer where the product was purchased.

They can take this product for environmentally safe recycling.

