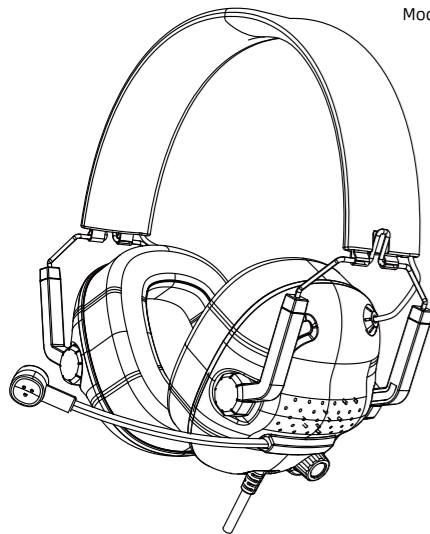


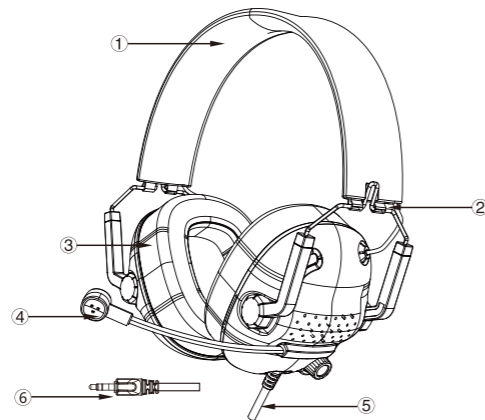


Model : J50



INSTRUCTIONS FOR USE

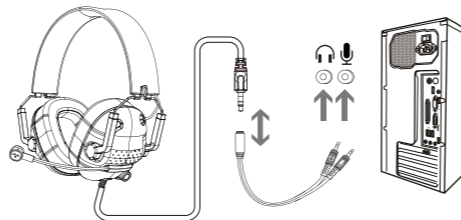
1. Product introduction



- ①headband
- ②Telescopic arm
- ③ear pads
- ④microphone
- ⑤braided wire
- ⑥3.5mm interface

01

2. PC connection diagram



Connect the extension cable and plug into audio output jack and microphone input jack

3. Xbox One connection diagram

For the latest Xbox One, direct access to audio output jack For Older Xbox One, requires Microsoft adapter

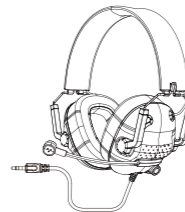


Microsoft adapter
(Not included)

02

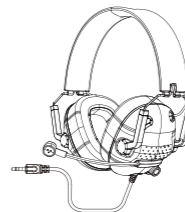
4. PS4 connection diagram

Plug directly into the PS4 audio output jack



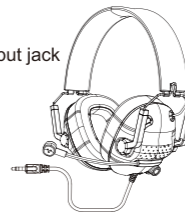
5. Mobile phone connection diagram

Plug directly into the phone audio output jack





6. iPad connection diagram.

Plug directly into the iPad audio output jack



03

7. the scope of application and instructions for use

1. This headset is not only suitable for computers, but also for most 3.5mm audio devices such as Walkman, mobile phones, tablets, etc.
2. The side of the headset cord and the microphone is the left side. When wearing this headset, the side of the cord should be on your left ear.
3. When using the audio Y Splitter Cable,  mark corresponds to the green jack of your computer for headset audio,  mark corresponds to the red jack of your computer for microphone.
4. When using the microphone of the headset, please make sure that the built-in microphone feature of your computer is turned on and the recording level is not less than 50%. You can open the volume mark in the lower right corner of your computer screen to the setting.

8. matters needing attention.

1. When listening to music, please adjust the volume at the appropriate range to prevent too loud to hurt your ears.
2. Please use the headphones carefully when driving to prevent traffic accidents.

04