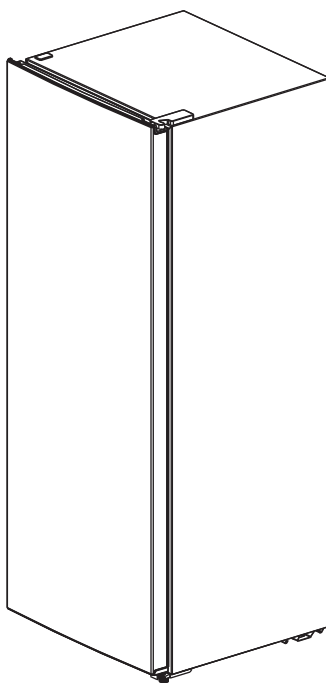


INSIGNIA™

USER GUIDE

7 Cu. Ft. Upright Freezer

NS-UZ7WH0



Before using your new product, please read these instructions to prevent any damage.

Contents

Introduction	2
IMPORTANT SAFEGUARDS	3
Features	9
Package contents	9
Dimensions	9
Components	10
Thermostat knob	11
Setting up your freezer	11
Finding a suitable location	12
Leveling your freezer	14
Reversing the door	14
Grounding requirement	18
Connecting to power	19
Using your freezer	19
Turning your freezer on	19
Adjusting the shelves	19
Storing food during a power failure	20
Maintaining your freezer	20
Cleaning your freezer	20
Defrosting your freezer	20
Storing your freezer	21
Moving your freezer	21
Tips on saving energy	21
Troubleshooting	22
Specifications	24
ONE-YEAR LIMITED WARRANTY	25

Introduction

Congratulations on your purchase of a high-quality Insignia product. Your NS-UZ7WH0 represents the state of the art in freezer design and is designed for reliable and trouble-free performance.

IMPORTANT SAFEGUARDS



WARNING

Risk of fire / flammable materials

RECOMMENDATIONS

This appliance is intended to be used in household and similar applications such as staff kitchen areas in shops, offices and other working environments; farm houses and by clients in hotels, motels and other residential type environments; bed and breakfast type environments; catering and similar non-retail applications.

If the supply cord is damaged, it must be replaced by the manufacturer, its service agent or similarly qualified persons in order to avoid a hazard.

Do not store explosive substances such as aerosol cans with a flammable propellant in this appliance.

The appliance has to be unplugged after use and before carrying out user maintenance on the appliance.

WARNING: Keep ventilation openings, in the appliance enclosure or in the built-in structure, clear of obstruction.

WARNING: Do not use mechanical devices or other means to accelerate the defrosting process, other than those recommended by the manufacturer.

WARNING: Do not damage the refrigerant circuit.

WARNING: Do not use electrical appliances inside the food storage compartments of the appliance, unless they are of the type recommended by the manufacturer.

WARNING: Please abandon the appliance according to local regulators for it use flammable blowing gas and refrigerant.

WARNING: When positioning the appliance, ensure the supply cord is not trapped or damaged.

WARNING: Do not locate multiple portable socket-outlets or portable power supplies at the rear of the appliance.

Do not use extension cords or ungrounded (two prong) adapters.

DANGER: Risk of child entrapment. Before you throw away the appliance:




- Take off the doors.
- Leave the shelves in place so that children may not easily climb inside.

The appliance must be disconnected from the source of electrical supply before attempting the installation of accessory.

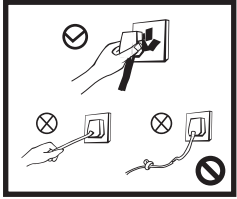
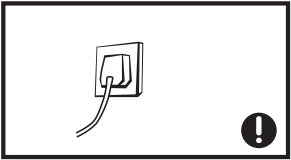

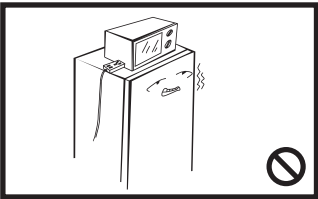
Refrigerant and cyclopentane foaming material used for the appliance are flammable. Therefore, when the appliance is scrapped, it shall be kept away from any fire source and be recovered by a special recovering company with corresponding qualification other than be disposed by combustion, so as to prevent damage to the environment or any other harm.

Children should be supervised to ensure that they do not play with the appliance.

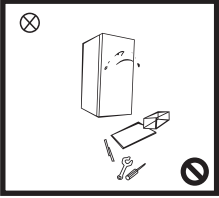
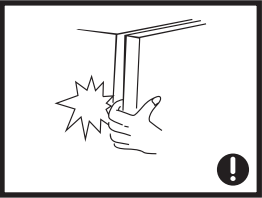

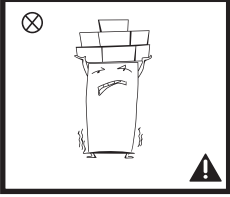
Meaning of safety warning symbols

 PROHIBITION SYMBOLS	The symbols indicate prohibited matters, and those behaviors are forbidden. Non-compliance with the instructions may result in product damages or endanger the personal safety of users.
 WARNING SYMBOLS	The symbols indicate matters that must be followed, and those behaviors must be strictly executed in line with the operation requirements. Non-compliance with the instructions may result in product damages or endanger the personal safety of users.
 NOTE SYMBOLS	The symbols indicate matters to pay attention to, and these behaviors shall be specially noted. Due precautions are needed or minor or moderate injuries or damages of the product will be caused.
This manual contains lots of important safety information which shall be observed by the users.	

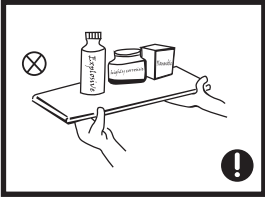
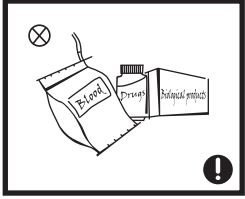
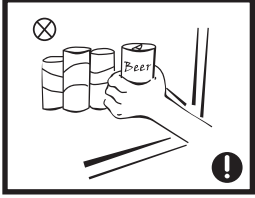
Electricity related warnings

	<ul style="list-style-type: none"> • Do not pull the power cord when pulling the power plug of the upright freezer. Please firmly grasp the plug and pull it out from the socket directly. • Do not damage the power cord under any condition so as to ensure safety use, do not use when the power cord is damaged or the plug is worn. • Worn or damaged power cord shall be replaced in manufacturer-authorized maintenance stations.
	<ul style="list-style-type: none"> • The power plug should be firmly contacted with the socket or else fires might be caused. Please ensure that the grounding electrode of the power socket is equipped with a reliable grounding line.
	<ul style="list-style-type: none"> • Please turn off the valve of the leaking gas and then open the doors and windows in case of leakage of gas and other flammable gases. Do not unplug the upright freezer and other electrical appliances considering that spark may cause a fire.
	<ul style="list-style-type: none"> • To ensure safety, it is not recommended that to place regulators, rice cookers, microwave ovens and other appliances on the top of the upright freezer, those recommended by the manufacturer are not included. Do not use electrical appliances in the food pan.

Related warnings for use

	<ul style="list-style-type: none"> • Do not arbitrarily disassemble or reconstruct the upright freezer, nor damage the refrigerant circuit; maintenance of the appliance must be conducted by a specialist. • Damaged power cord must be replaced by the manufacturer, its maintenance department or related professionals in order to avoid danger.
	<ul style="list-style-type: none"> • The gaps between upright freezer doors and between doors and upright freezer body are small, be noted not to put your hand in these areas to prevent from squeezing the finger. Please be gentle when open the upright freezer door to avoid falling articles. • Do not pick foods or containers with wet hands in the freezing chamber when the upright freezer is running, especially metal containers in order to avoid frostbite.
	<ul style="list-style-type: none"> • Do not allow children to enter or climb the upright freezer to prevent that children are sealed in the upright freezer or children are injured by the falling upright freezer. • Do not spray or wash the upright freezer; do not put the upright freezer in moist places easy to be splashed with water so as not to affect the electrical insulation properties of the upright freezer.
	<ul style="list-style-type: none"> • Do not place heavy objects on the top of the upright freezer considering that objects may fall when open the door, and accidental injuries might be caused. • Please pull out the plug in case of power failure or cleaning. Do not connect the upright freezer to power supply within five minutes to prevent damages to the compressor due to successive starts.




Warnings related to placing items

	<ul style="list-style-type: none"> • Do not put flammable, explosive, volatile and highly corrosive items in the upright freezer to prevent damages to the product or fire accidents. • Do not place flammable items near the upright freezer to avoid fires.
	<ul style="list-style-type: none"> • This product is household upright freezer and shall be only suitable for the storage of foods. According to national standards, household upright freezer shall not be used for other purposes, such as storage of blood, drugs or biological products.
	<ul style="list-style-type: none"> • Do not place items such as bottled or sealed container of fluid such as bottled beers and beverages in the upright freezer to prevent bursts and other losses.

Warnings for energy

- 1 Upright freezer might not operate consistently when sited for an extended period of time below the cold end of the range of temperatures for which the appliance is designed.
- 2 The fact that effervescent drinks should not be stored in food upright freezer compartments or cabinets or in low-temperature compartments or cabinets, and that some products such as water ices should not be consumed too cold;
- 3 The need to not exceed the storage time recommended by the food manufacturers for any kind of food and particularly for commercially quick-frozen food in food-upright freezer and frozen-food storage compartments or cabinets;
- 4 The precautions necessary to prevent an undue rise in the temperature of the frozen food while defrosting the refrigerating appliance, such as wrapping the frozen food in several layers of newspaper.
- 5 The fact that a rise in temperature of the frozen food during manual defrosting, maintenance or cleaning could shorten the storage life.
- 6 The necessity that, for doors or lids fitted with locks and keys, the keys be kept out of the reach of children and not in the vicinity of the upright freezer appliance, in order to prevent children from being locked inside.

Warnings related to disposal

	<p>The upright freezer's refrigerant and cyclopentane foam materials are combustible materials and discarded upright freezers should be isolated from fire sources and can not be burned. Please transfer the upright freezer to qualified professional recycling companies for processing to avoid damages to the environment or other hazards.</p>
	<p>Please remove the door of the upright freezer and shelves which shall be properly placed to avoid accidents of children entering and playing in the upright freezer.</p>
	<p>Correct Disposal of this product This marking indicates that this product should not be disposed with other household wastes. To prevent possible harm to the environment or human health from uncontrolled waste disposal, recycle it responsibly to promote the sustainable reuse of material resources. To return your used device, please use the return and collection systems or contact the retailer where the product was purchased. They can take this product for environmental safe recycling.</p>

SAVE THESE INSTRUCTIONS

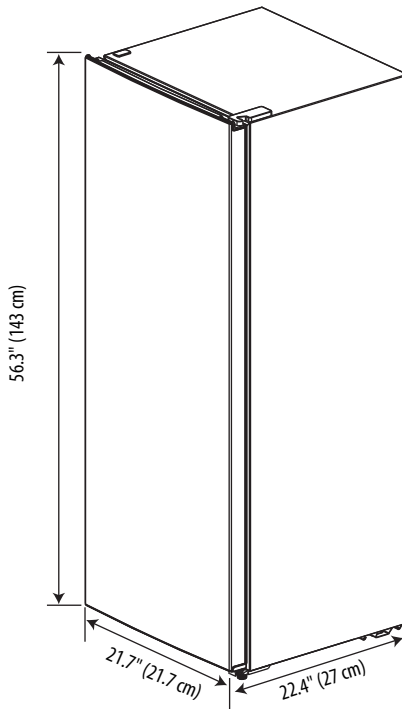
Features

Package contents

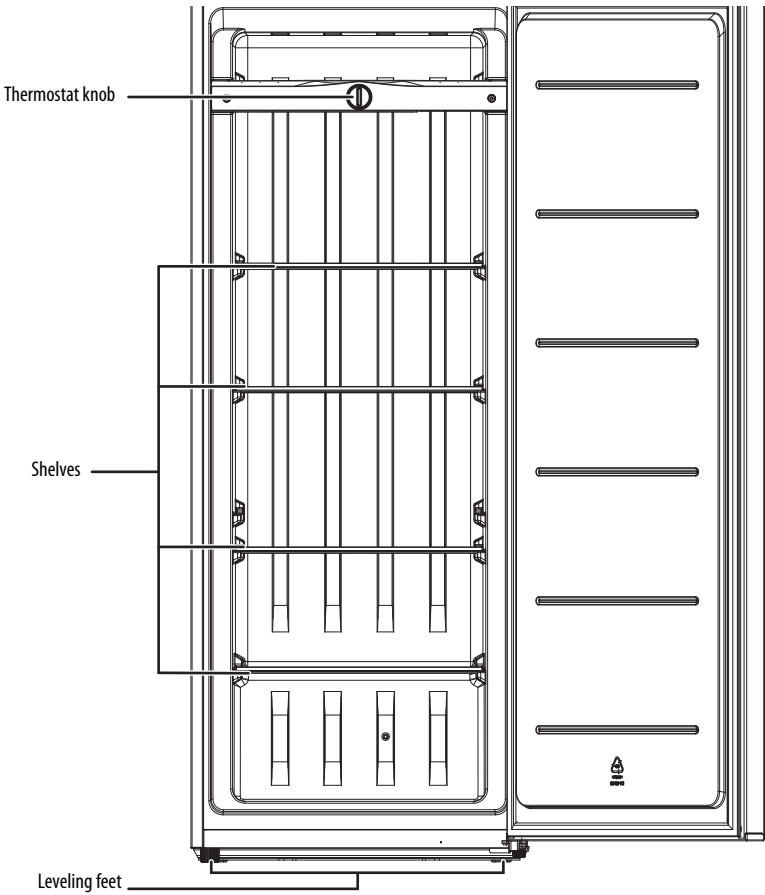
- 7 Cu. Ft. Upright Freezer
- Accessory bag with hardware for reversing the door
- *User Guide*

Dimensions

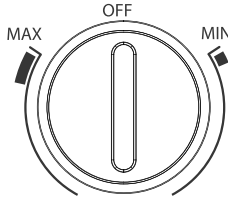
Note: The illustrations shown in this *User Guide* are for reference only. The actual product may differ slightly.



Components



Thermostat knob



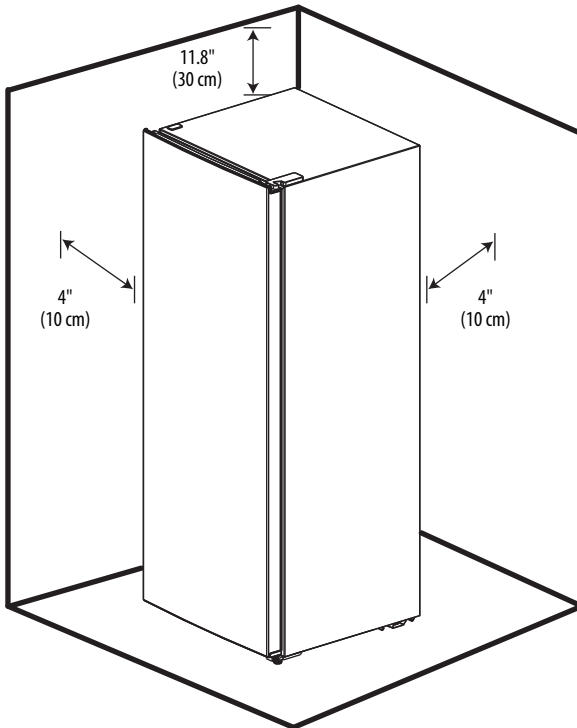
ITEM	FUNCTION
Thermostat knob	Turn the knob to adjust the temperature. MIN is the warmest temperature. MAX is the coldest temperature. The temperature range is 10.4°F to -11.2°F (-12°C to -24°C). Turn to the OFF position to turn your freezer off.

Setting up your freezer

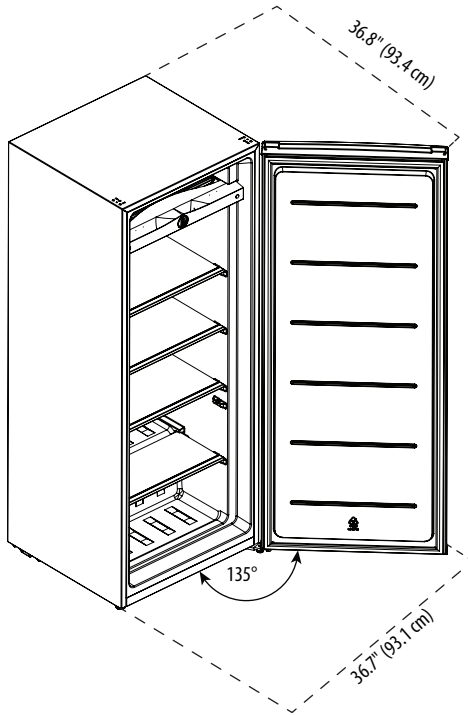
- Before using your freezer, remove the exterior and interior packing including the bottom cushions, foam pads, and tape inside your freezer. Remove the plastic film from the door and sides.
- Let your freezer stand upright for more than 30 minutes before connecting it to power. This reduces the possibility of a malfunction in the cooling system from incorrect handling during transportation.
- Before putting any fresh or frozen foods in your freezer, let your freezer run for two to three hours. If the ambient temperature is high, for example in summer, wait for four or more hours.
- Wash the inside with a damp, warm cloth and a baking soda solution (two tablespoons in a quart of water), then wipe dry with a dry cloth. Do this periodically to keep your freezer looking new.
- For correct operation, you should level your freezer using the leveling feet. If you do not level your freezer, the door may not close or seal correctly, causing cooling, frost, and moisture problems. See [Leveling your freezer](#) on page 14.
- When moving your freezer, do not tilt it beyond 45° from upright.

Finding a suitable location

- Place your freezer on a floor that is strong enough to support your freezer when it is fully loaded.
- Do not install your freezer on carpeting or a rug.
- Your freezer is designed to be free-standing and should not be recessed or built-in.
- If you use your freezer in a garage, make sure that the ambient temperature is between 5°F and 109°F (-15°C and 43°C).
- Allow 4 inches (10 cm) of space between the sides of your freezer and the surrounding walls, 4 inches (10 cm) between the back of your freezer and the wall, and 11.8 inches (30 cm) between the top of your freezer and the ceiling. This allows for correct air ventilation. Adjust the feet to keep your freezer level. See [Leveling your freezer](#) on page 14.
- Position your freezer away from direct sunlight and sources of heat, such as a stove, heater, or radiator. Direct sunlight may affect the acrylic coating and heat sources may increase electrical consumption. Extremely cold temperatures may also prevent your freezer from performing correctly.
- Avoid locating your freezer in moist areas.

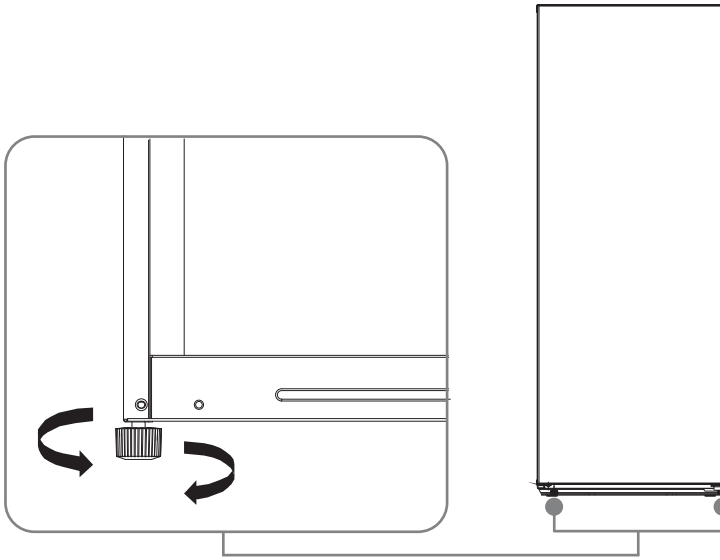


- If you locate your freezer next to a fixed wall, allow sufficient space on the hinge side for the door to swing open.



Leveling your freezer

If you do not level your freezer during installation, the doors may not close or seal correctly which can cause cooling, frost, or moisture problems.



- To level your freezer, rotate the leveling feet clockwise (to raise) your freezer or counter-clockwise (to lower).

Note: To make it easier to adjust the feet, have someone push against the top of your freezer to tilt it slightly.

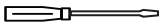
Reversing the door

WARNINGS:

- Unplug your freezer before you reverse the door. Failure to unplug your freezer may result in serious injury or death from electrical shock.
- To avoid personal injury and property damage, get another person to help you reverse the door.

Note: The illustrations shown in this section are only for reference. The actual product may differ slightly.

You need the following tools to reverse the freezer door:



Flat-blade screwdriver

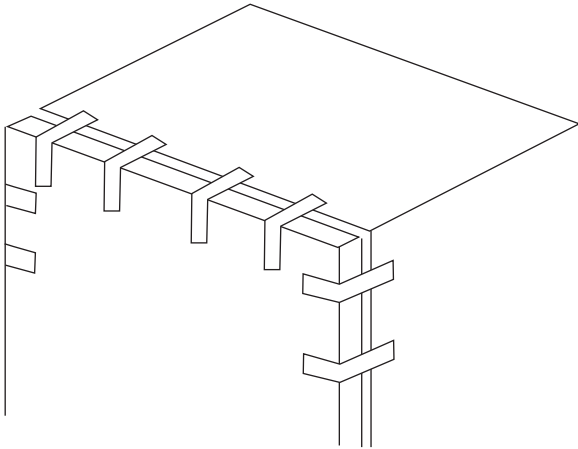


Phillips screwdriver



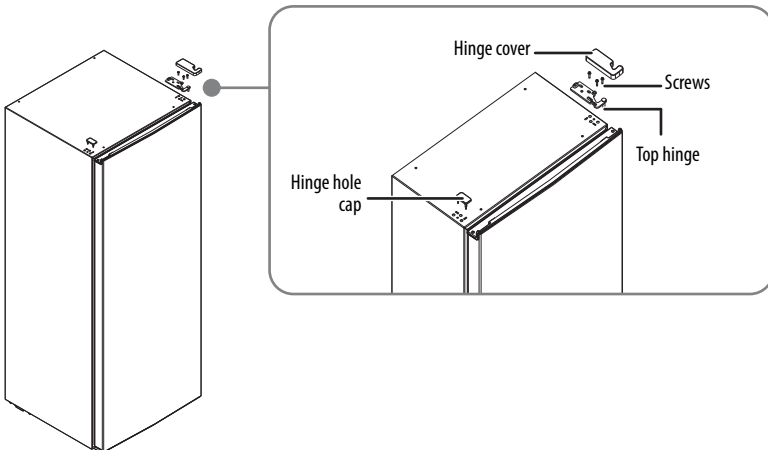
Tape

- 1 Unplug the power cord and remove all food from your freezer.
- 2 Tape the freezer door shut.



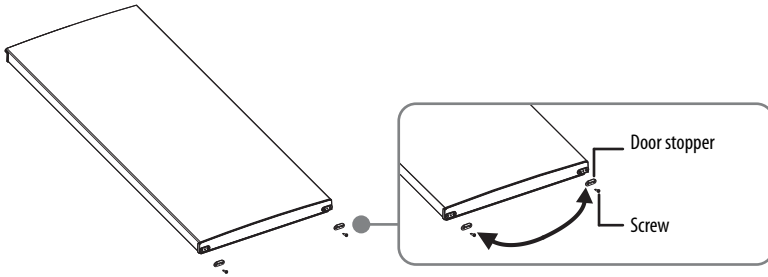
- 3 Remove the left hinge hole cap. Remove the upper-right hinge cover, the hinge screws, then remove the top hinge.

CAUTION: Make sure that you keep the door vertical while you remove the hinge to avoid damaging the hinge or the door.

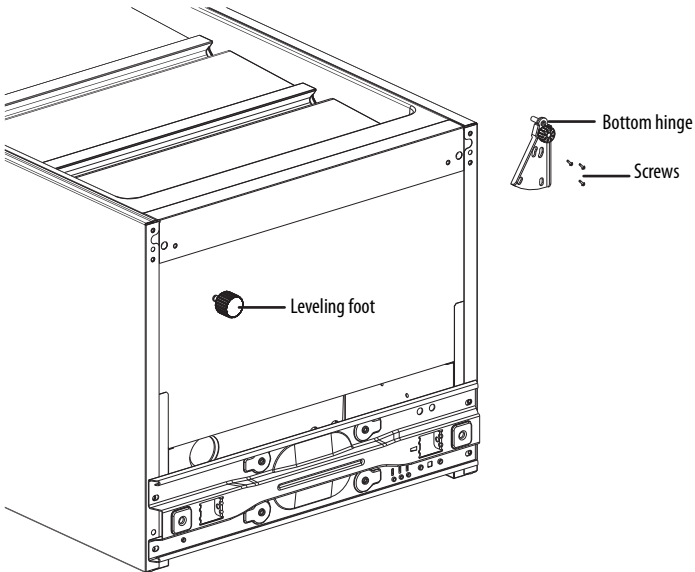


- 4 Remove the tape, then remove the door.

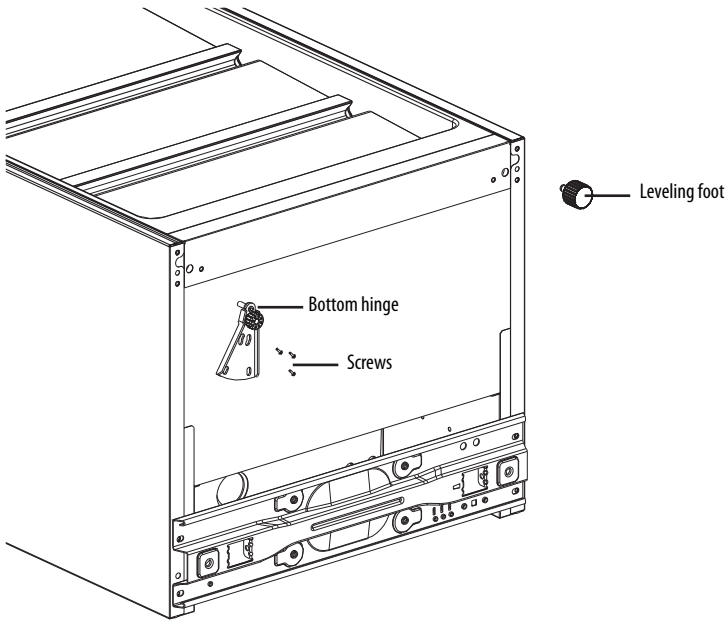
- 5 Remove the door stopper screw and the door stopper, then install the stopper on the other side of the door.



- 6 Unscrew and remove the leveling foot. Remove the hinge screws, then remove the bottom hinge.

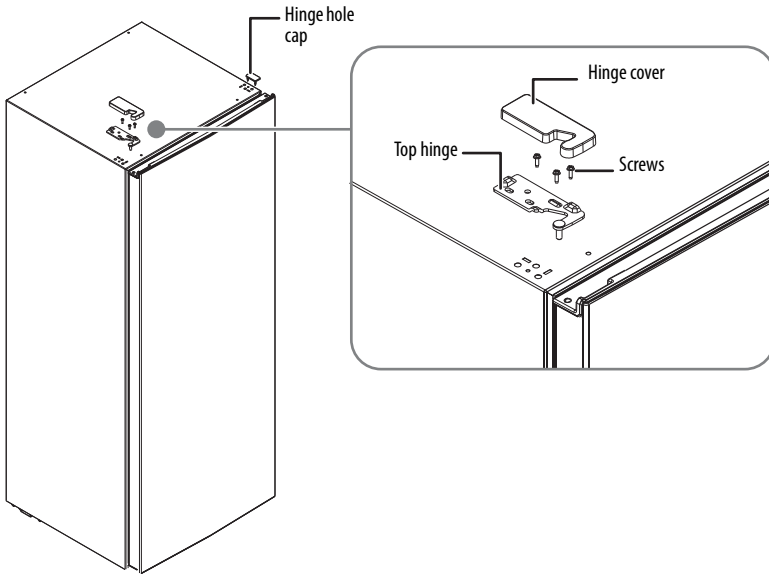


- 7 Install the leveling foot on the right side and the bottom hinge on the left side.



- 8 With your freezer upright, lower the door on the bottom hinge. Make sure that the door gasket fits tightly.
- 9 Remove the top left hinge and hinge cover from the accessory bag.

- 10 Secure the top hinge with the three screws you removed earlier, then install the hinge cover. Install the hinge hole cap on the right side.



Grounding requirement

Your freezer must be grounded. Your freezer is equipped with a cord having a grounding wire with a grounding plug. The plug must be inserted into an outlet that is correctly installed and grounded.

Consult a qualified electrician or service person if you do not completely understand the grounding instructions, or if you think your freezer may not be correctly grounded.

WARNINGS:

- Incorrect use of the grounding plug can result in a risk of electric shock.
- Do not, under any circumstances, cut or remove the third ground prong from the supplied power cord.

Connecting to power

- Plug your freezer into a dedicated, correctly installed, grounded wall outlet. Use a separate electrical circuit from other operating appliances. Do not under any circumstances cut or remove the third (ground) prong from the power cord. If you have questions about power or grounding contact a certified electrician or an authorized service center.
- Plug in and run your freezer for two to three hours before making any temperature adjustments and before adding food. This lets your freezer reach a stable temperature.

Notes:

- Check your local power source. Your freezer requires a 110V-120V, 60 Hz power supply.
 - Use a receptacle that accepts the grounding prong. The power cord is equipped with a 3-prong (grounding) plug which mates with a standard 3-prong (grounding) wall outlet to minimize the possibility of electric shock hazard from your freezer.
- Do not use an extension cord with your freezer. If the power cord is too short, have a qualified electrician install an outlet near your freezer. Use of an extension cord can negatively affect your freezer's performance.

Using your freezer

- The storage life of frozen foods varies. You should use the food before the recommended storage time expires.
- Place frozen food into your freezer as quickly as possible after purchase. If there are instructions on the packaging, carefully follow these instructions regarding storage times.
- Prepackaged, commercially-frozen food should be stored in accordance with the frozen food manufacturer's instructions for a three-star frozen food storage compartment or home freezer.
- Shelves are provided for the organization of odd-shaped items.

Turning your freezer on

- 1 Plug the power cord into a power outlet.
- 2 Turn the thermostat knob to the temperature you want. **MIN** is the warmest temperature. **MAX** is the coolest temperature. The temperature range is 10.4°F to -11.2°F (-12°C to -24°C).

Adjusting the shelves

- Tilt the front of a shelf up, then lift the shelf out of your freezer.
- To reinstall the shelf, tilt the front of the shelf up, slide the shelf into your freezer, then lower the shelf front.

Storing food during a power failure

Foods can be preserved for a couple of hours even in summer in case of power failure.

- To keep the interior temperature cold, avoid opening the door.
- Do not put fresh food into your freezer until the power comes back on.

Maintaining your freezer

Cleaning your freezer

Your freezer is designed for year-round use with only minimal cleaning and maintenance.

CAUTION: To prevent damage to the finish, do not use:

- Gasoline, benzine, thinner, or other similar solvents.
- Abrasive cleaners.

- 1 Unplug your freezer from the power outlet.
- 2 Remove all food.
- 3 Wash the shelves with a mild detergent solution.
- 4 Wash the inside and outside with a cloth dampened with a non-corrosive, neutral detergent. If you use a detergent, remove the residual detergent with a cloth dampened with clear water. Do not use excessive detergent or water. Too much liquid may damage the electrical insulation.
- 5 Dry the inside and outside with a soft cloth or towel.
- 6 Make sure that you keep the door gasket (seal) clean so that the door seals tightly. This helps your freezer run efficiently.

Defrosting your freezer

Tip: To avoid standing water when you defrost, place some towels on the floor in front of your freezer.

- 1 Unplug your freezer.
- 2 Remove all food from your freezer, and place the food into containers that prevent it from melting.
- 3 To speed the defrosting, you can:
 - Place a fan blowing on its highest speed pointed right at your freezer. The ice melts faster. After the ice melts, use towels to wipe up excess water, then use the fan to speed drying.
 - Place containers with hot water inside your freezer.
 - Use a plastic or wooden ice shovel (like a spatula) to remove thick layers of ice or frost. Do not use a sharp utensil (like a knife) because you may damage your freezer.
- 4 Use a cloth dampened with water or a mild cleaning solution to clean the inside of your freezer.
- 5 When you finish defrosting, wipe the inside with a dry towel.
- 6 Close your freezer, plug it into the power outlet, then put the food back into your freezer.

Storing your freezer

- 1 Unplug your freezer from the power outlet.
- 2 Remove all food.
- 3 Clean your freezer.
- 4 Take off the doors, and leave the shelves in place so that children may not easily climb inside.

CAUTION: Use extreme caution with children. Your freezer should not be accessible to child's play.

Moving your freezer

- 1 Unplug your freezer from the power outlet.
- 2 Remove all food.
- 3 Securely tape down all loose items inside your freezer.
- 4 Tape the door shut.
- 5 Push or pull on your freezer's body. Do not hold the door or hinges.
- 6 Make sure that your freezer does not tilt more than 45° from the upright position during transportation.

Tips on saving energy

- Locate your freezer in the coolest area of the room, away from heat producing appliances or heating ducts and out of direct sunlight.
- Let hot foods cool to room temperature before placing them in your freezer. Overloading your freezer forces the compressor to run longer. Foods that freeze too slowly may lose quality or spoil.
- Wrap foods correctly and wipe containers dry before placing them in your freezer. This cuts down on frost build-up inside your freezer.
- Do not line the freezer storage shelves with aluminum foil, wax paper, or paper toweling. Liners interfere with cold air circulation and make your freezer less efficient.
- Organize and label food to reduce door openings and extended searches. Remove as many items as needed at one time, and close the door as soon as possible.

Troubleshooting

WARNINGS:

- Use extreme caution with children. Your freezer should not be accessible to child's play.
- Do not try to repair your freezer yourself. Contact authorized service personnel.

PROBLEM	SOLUTION
My freezer does not work.	<ul style="list-style-type: none"> • Make sure that your freezer is securely plugged into a working outlet. • Make sure that your power source has the correct voltage. Your freezer's voltage rating is on a label on the back of your freezer. • Check the house fuse or circuit breaker box and replace the fuse or reset the circuit breaker.
My freezer has a bad odor.	<ul style="list-style-type: none"> • Make sure that all food with a strong odor (like onions) is wrapped or stored in airtight packaging. • Certain containers and wrapping materials (such as paper, foil, or plastic) can cause odors. If you think this might be the case, try using different containers or a different brand of wrapping material. • Check for spoiled food and remove it. • Clean the inside of your freezer. See Cleaning your freezer on page 20.
The freezer door does not close completely.	<ul style="list-style-type: none"> • Make sure that no food packages are in the way. • Make sure that the door gasket (seal) is clean. See Cleaning your freezer on page 20. • If the door gasket does not seal, try heating then cooling the seal. You can use an electric hair dryer to heat the seal. • Make sure that your freezer is level. See Leveling your freezer on page 14.
The freezer door is hard to open or close.	<ul style="list-style-type: none"> • When you open the freezer door, warm air rushes inside. When you close the door, the warm air rushes to the condenser which causes a vacuum. This causes the door to be hard to open for about 10 to 15 seconds after closing. • If the door is hard to open at other times, try rubbing paraffin wax or petroleum jelly along the edges of the entire gasket. Paraffin wax is used for canning and is safe for use around food. • If the door is hard to close, try slightly loosening the tension on the door hinges.

PROBLEM	SOLUTION
The compressor runs for a long time or turns on and off frequently.	<p>The compressor runs longer if:</p> <ul style="list-style-type: none"> • The room temperature is high. • You just added a large amount of food. Wait for the food to freeze, then check again. • You open and close the door frequently. • The door gasket is dirty. Clean the gasket. See Cleaning your freezer on page 20. • Your freezer has been disconnected for a period of time. Wait for your freezer to cool (about three hours) before adding food. • You have the temperature set too low. Set the thermostat knob to a higher temperature.
My freezer makes unusual noises or vibrations.	<ul style="list-style-type: none"> • Metal parts expand and contract as the temperature changes. This is normal. • When the refrigerant is circulating throughout the system, your freezer may make noises. This is normal. • Remove items from the top of your freezer. • Make sure that your freezer is level. See Leveling your freezer on page 14. • If your freezer is touching walls, move it away from the walls. • Make sure that the shelves are installed correctly.
The outside of my freezer is hot.	<p>Heat dissipation from the condenser may make the outside feel hot. This is normal and happens if:</p> <ul style="list-style-type: none"> • The room temperature is high. • You have too much food in your freezer. • You open and close the door excessively.
Water condenses on the outside of my freezer.	<ul style="list-style-type: none"> • Condensation on the exterior surface and door seal is normal when the room humidity is high. • When you open the door, warm, moist outside air meets the cold dry air inside your freezer. <p>These are normal. Just wipe off the condensation with a clean towel.</p>

Specifications

Note: Specifications are subject to change without notice.

Dimensions (H x W x D)	56.3 x 21.7 x 22.4 in. (143 x 55 x 57 cm)
Weight	99.2 lbs (45 kg)
Power requirements	115V~60Hz
Current	1.5 A
Temperature range	10.4°F to -11.2°F (-12°C to -24°C) ± 5°F (3°C)
Power cord length	5.4 ft. (165 cm)
Power consumption per year	331 kwh
Certifications	UL and DOE approved

ONE-YEAR LIMITED WARRANTY

Definitions:

The Distributor* of Insignia branded products warrants to you, the original purchaser of this new Insignia-branded product ("Product"), that the Product shall be free of defects in the original manufacturer of the material or workmanship for a period of one (1) year from the date of your purchase of the Product ("Warranty Period").

For this warranty to apply, your Product must be purchased in the United States or Canada from a Best Buy branded retail store or online at www.bestbuy.com or www.bestbuy.ca and is packaged with this warranty statement.

How long does the coverage last?

The Warranty Period lasts for 1 year (365 days) from the date you purchased the Product. Your purchase date is printed on the receipt you received with the Product.

What does this warranty cover?

During the Warranty Period, if the original manufacture of the material or workmanship of the Product is determined to be defective by an authorized Insignia repair center or store personnel, Insignia will (at its sole option): (1) repair the Product with new or rebuilt parts; or (2) replace the Product at no charge with new or rebuilt comparable products or parts. Products and parts replaced under this warranty become the property of Insignia and are not returned to you. If service of Products or parts are required after the Warranty Period expires, you must pay all labor and parts charges. This warranty lasts as long as you own your Insignia Product during the Warranty Period. Warranty coverage terminates if you sell or otherwise transfer the Product.

How to obtain warranty service?

If you purchased the Product at a Best Buy retail store location or from a Best Buy online website (www.bestbuy.com or www.bestbuy.ca), please take your original receipt and the Product to any Best Buy store. Make sure that you place the Product in its original packaging or packaging that provides the same amount of protection as the original packaging.

To obtain warranty service, in the United States and Canada call 1-877-467-4289. Call agents may diagnose and correct the issue over the phone.

Where is the warranty valid?

This warranty is valid only in the United States and Canada at Best Buy branded retail stores or websites to the original purchaser of the product in the county where the original purchase was made.

What does the warranty not cover?

This warranty does not cover:

- Customer instruction/education
- Installation
- Set up adjustments
- Cosmetic damage
- Damage due to weather, lightning, and other acts of God, such as power surges
- Accidental damage
- Misuse
- Abuse
- Negligence
- Commercial purposes/use, including but not limited to use in a place of business or in communal areas of a multiple dwelling condominium or apartment complex, or otherwise used in a place of other than a private home.
- Modification of any part of the Product, including the antenna
- Display panel damaged by static (non-moving) images applied for lengthy periods (burn-in).
- Damage due to incorrect operation or maintenance

- Connection to an incorrect voltage or power supply
- Attempted repair by any person not authorized by Insignia to service the Product
- Products sold "as is" or "with all faults"
- Consumables, including but not limited to batteries (i.e. AA, AAA, C, etc.)
- Products where the factory applied serial number has been altered or removed
- Loss or Theft of this product or any part of the product
- Display panels containing up to three (3) pixel failures (dots that are dark or incorrectly illuminated) grouped in an area smaller than one tenth (1/10) of the display size or up to five (5) pixel failures throughout the display. (Pixel based displays may contain a limited number of pixels that may not function normally.)
- Failures or Damage caused by any contact including but not limited to liquids, gels or pastes.

REPAIR REPLACEMENT AS PROVIDED UNDER THIS WARRANTY IS YOUR EXCLUSIVE REMEDY FOR BREACH OF WARRANTY. INSIGNIA SHALL NOT BE LIABLE FOR ANY INCIDENTAL OR CONSEQUENTIAL DAMAGES FOR THE BREACH OF ANY EXPRESS OR IMPLIED WARRANTY ON THIS PRODUCT, INCLUDING, BUT NOT LIMITED TO, LOST DATA, LOSS OF USE OF YOUR PRODUCT, LOST BUSINESS OR LOST PROFITS. INSIGNIA PRODUCTS MAKES NO OTHER EXPRESS WARRANTIES WITH RESPECT TO THE PRODUCT, ALL EXPRESS AND IMPLIED WARRANTIES FOR THE PRODUCT, INCLUDING BUT NOT LIMITED TO ANY IMPLIED WARRANTIES OF AND CONDITIONS OF MERCHANTABILITY AND FITNESS FOR A PARTICULAR PURPOSE, ARE LIMITED IN DURATION TO THE WARRANTY PERIOD SET FORTH ABOVE AND NO WARRANTIES, WHETHER EXPRESS OR IMPLIED, WILL APPLY AFTER THE WARRANTY PERIOD. SOME STATES, PROVINCES AND JURISDICTIONS DO NOT ALLOW LIMITATIONS ON HOW LONG AN IMPLIED WARRANTY LASTS, SO THE ABOVE LIMITATION MAY NOT APPLY TO YOU. THIS WARRANTY GIVES YOU SPECIFIC LEGAL RIGHTS, AND YOU MAY ALSO HAVE OTHER RIGHTS, WHICH VARY FROM STATE TO STATE OR PROVINCE TO PROVINCE.

Contact Insignia:

1-877-467-4289

www.insigniaproducts.com

INSIGNIA is a trademark of Best Buy and its affiliated companies.

*Distributed by Best Buy Purchasing, LLC

7601 Penn Ave South, Richfield, MN 55423 U.S.A.

©2019 Best Buy. All rights reserved.

Made in China

INSIGNIA™

www.insigniaproducts.com

1-877-467-4289 (U.S. and Canada) or 01-800-926-3000 (Mexico)

INSIGNIA is a trademark of Best Buy and its affiliated companies.

Distributed by Best Buy Purchasing, LLC

7601 Penn Ave South, Richfield, MN 55423 U.S.A.

©2019 Best Buy. All rights reserved.

Made in China

V1 ENGLISH
19-0191