



RAZER HANBO CHROMA

MASTER GUIDE

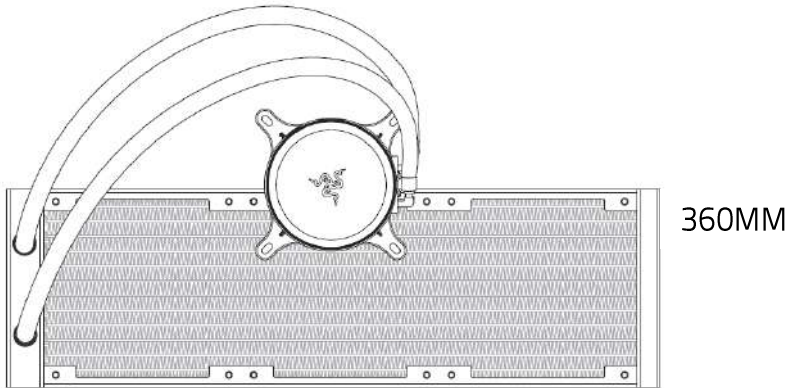
Keep your CPU temperatures cooler at any load with **Razer Hanbo**, an All-In-One Liquid Cooler designed for maximum thermal performance. Available in a customizable LCD Pump Cap or addressable RGB Pump Cap version, you can personalize your cooler further with Razer Chroma™ software.

CONTENTS

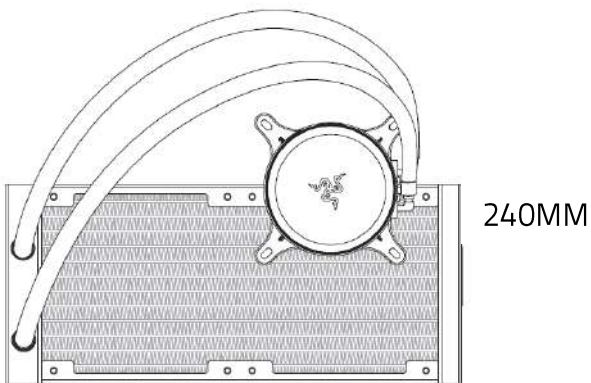
1. WHAT'S INSIDE.....	3
2. WHAT'S NEEDED.....	4
3. LET'S GET YOU COVERED.....	4
4. TECHNICAL SPECIFICATIONS.....	5
5. GETTING STARTED	6
6. SAFETY AND MAINTENANCE.....	11
7. LEGALESE.....	12

1. WHAT'S INSIDE

- Razer Hanbo Chroma



OR



- Intel mounting bracket (preinstalled)
- AMD mounting bracket
- Intel backplate
- 120mm Razer Kunai Chroma fans (x2/x3*)
- USB type C data cable
- 12-pin breakout cable
- Screws, washers, nuts pack and L-shaped Hex-key
- Important Product Information Guide

i Contents may vary depending on the purchased product

2. WHAT'S NEEDED

PRODUCT REQUIREMENTS

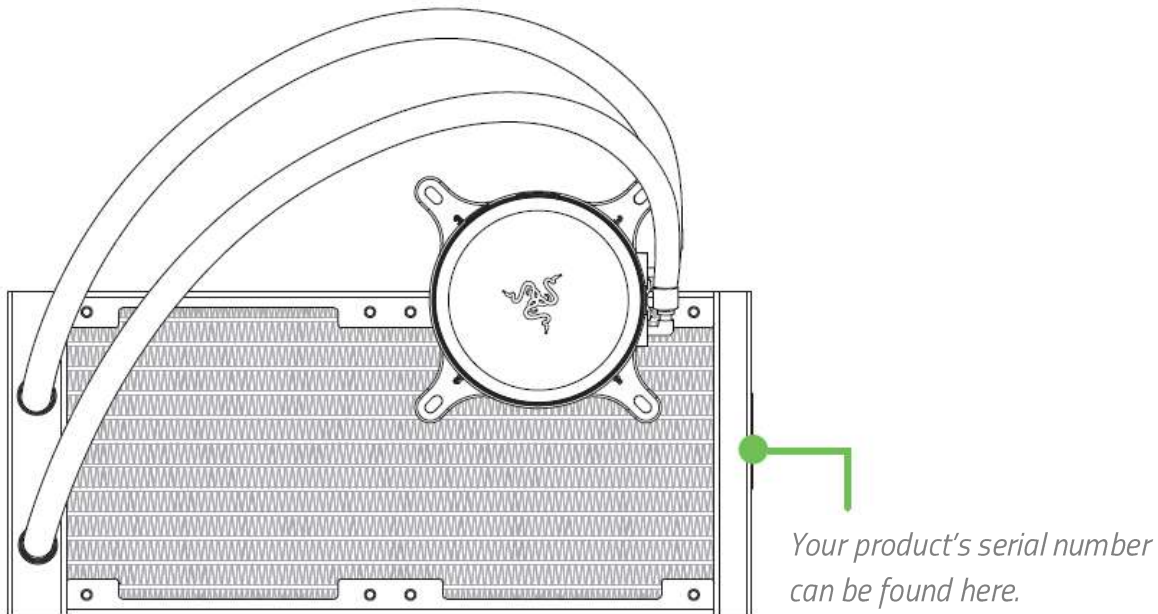
- Compatible PC chassis
- Compatible motherboard
- Compatible CPU (Intel 115X/1366/20XX) or (AMD AM4)

RAZER SYNAPSE REQUIREMENTS

- Windows® 10 64-bit (or higher)
- Internet connection for software installation

3. LET'S GET YOU COVERED

You've got a great device in your hands, complete with a 2-year limited warranty coverage. Now maximize its potential and score exclusive Razer benefits by registering at razerid.razer.com



Got a question? Ask the Razer Support Team at support.razer.com

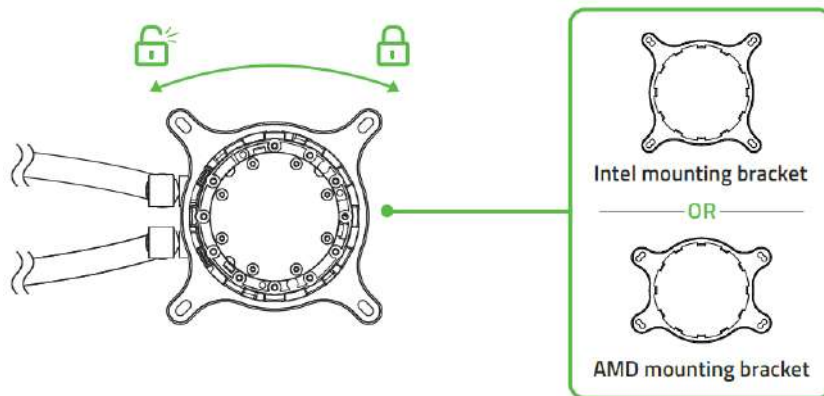
4. TECHNICAL SPECIFICATIONS

- Size: 240mm / 360 mm
- Technology: ARGB Pump Cap
- Fan Size: 120 mm
- Fan Type: Static Pressure
- RGB: 18 addressable LEDs
- Cooling: Up to 2200 RPM
- Airflow: Up to 65.5 CFM
- Static Pressure: Up to 2.47 mm H₂O
- Noise: Up to 35 dBA
- Fan Life: 60,000 hours
- Radiator Dimensions:
 - Length: 394 mm / 15.5 in
 - Dimensions: Width: 121 mm / 4.7 in
 - Height: 27 mm / 1.06 in
- Tubing length: 400 mm / 15.74 in
- Approx. Weight: 1.51 KG / 1500 G / 3.30 lbs
- Power: 12V 1.5A / 5V 3A (SATA), 5V 0.5A (USB)
- Works with: AMD AM4, Intel LGA 1151/1150/1155/1156/2011/2011-3/ 2066/1200/1700, PC with Razer PWM fan controller, Razer Chroma aRGB controller, Windows operating system, and Razer Synapse software.

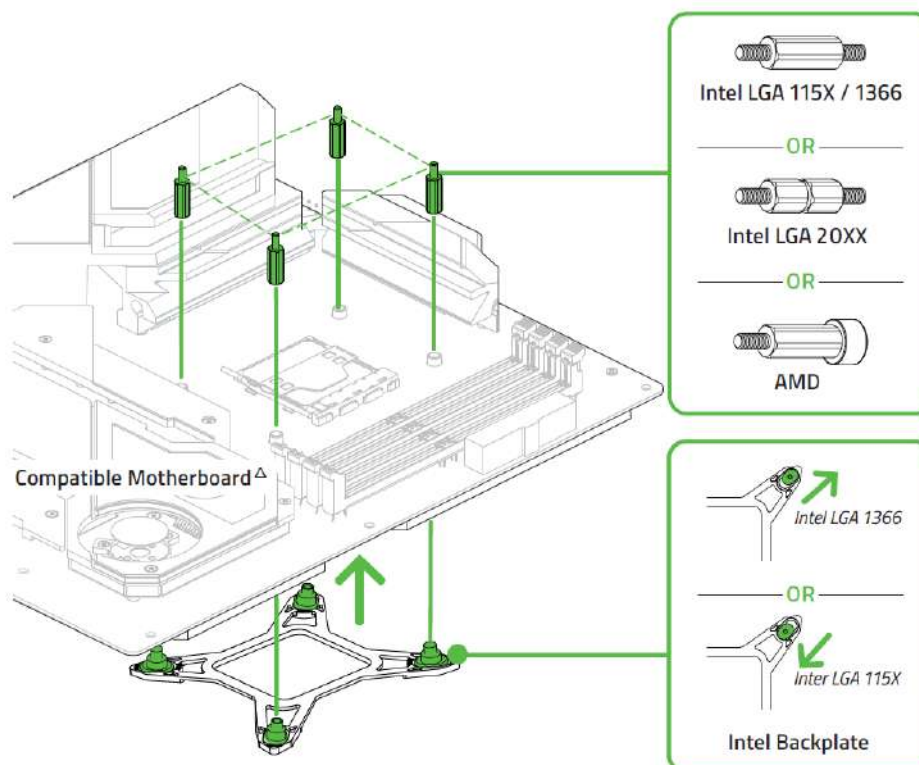
5. GETTING STARTED

Warning: Please turn off your PC before proceeding to avoid electric shocks. For safety purposes, please wear an anti-static wrist strap (not included) to avoid damaging the internal components of your PC.

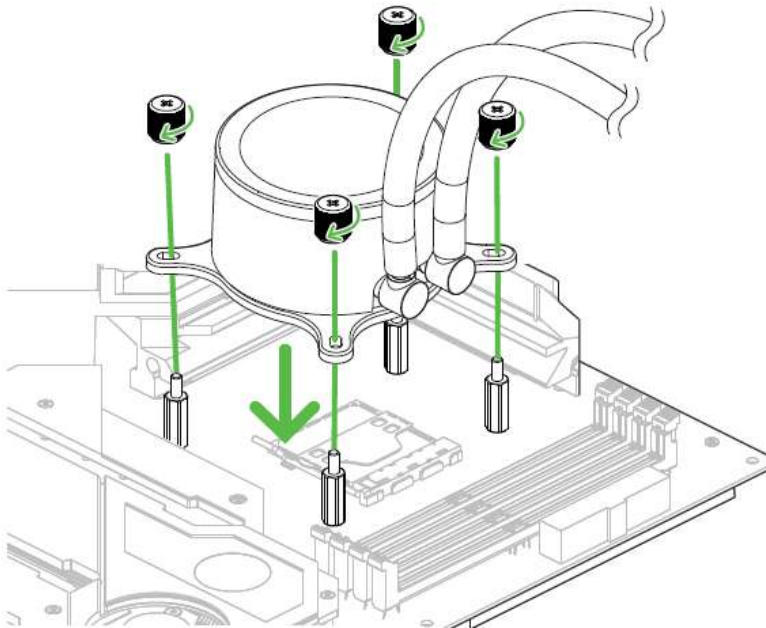
1. Choose the appropriate mounting bracket for your CPU. Rotate the pre-installed bracket counterclockwise to unlock and remove, or clockwise to lock it in place.



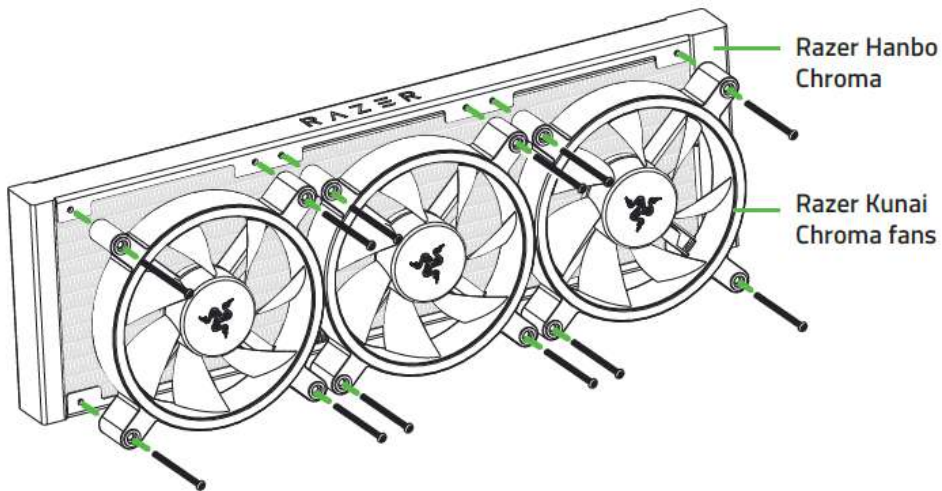
2. Attach the backplate to the bottom of the motherboard if applicable, and then install the appropriate standoff screws into the motherboard.



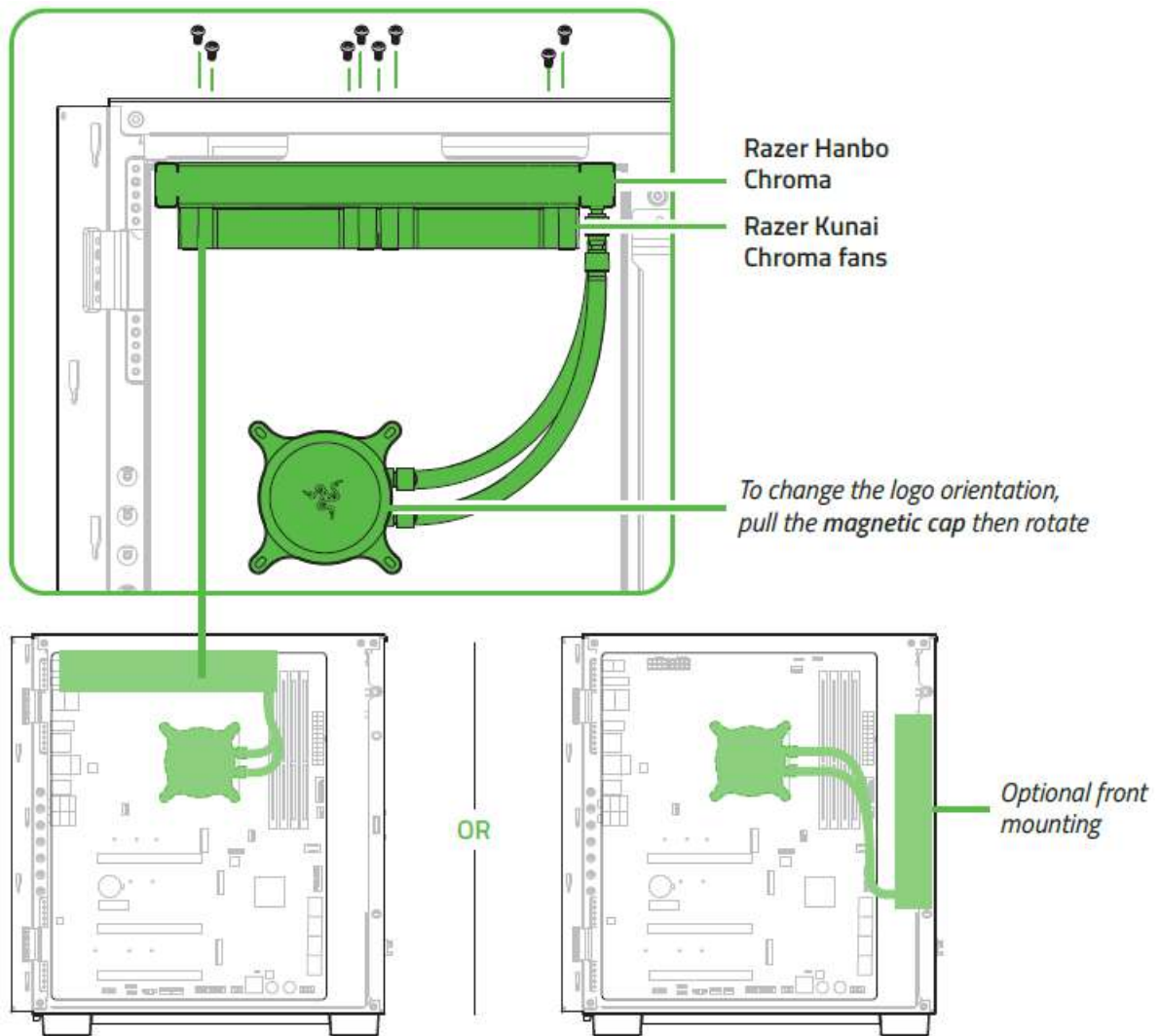
3. Align the AIO cooler with the standoff screws then secure it using the thumbscrew caps.



4. Install your Razer Kunai Chroma fans onto your radiator using the fan screws.

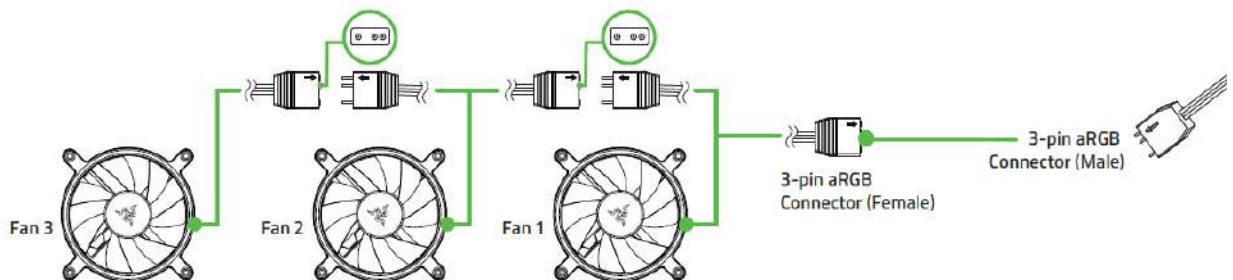


5. Mount your radiator inside the PC chassis then fasten it from the outside using the washers and the radiator screws.

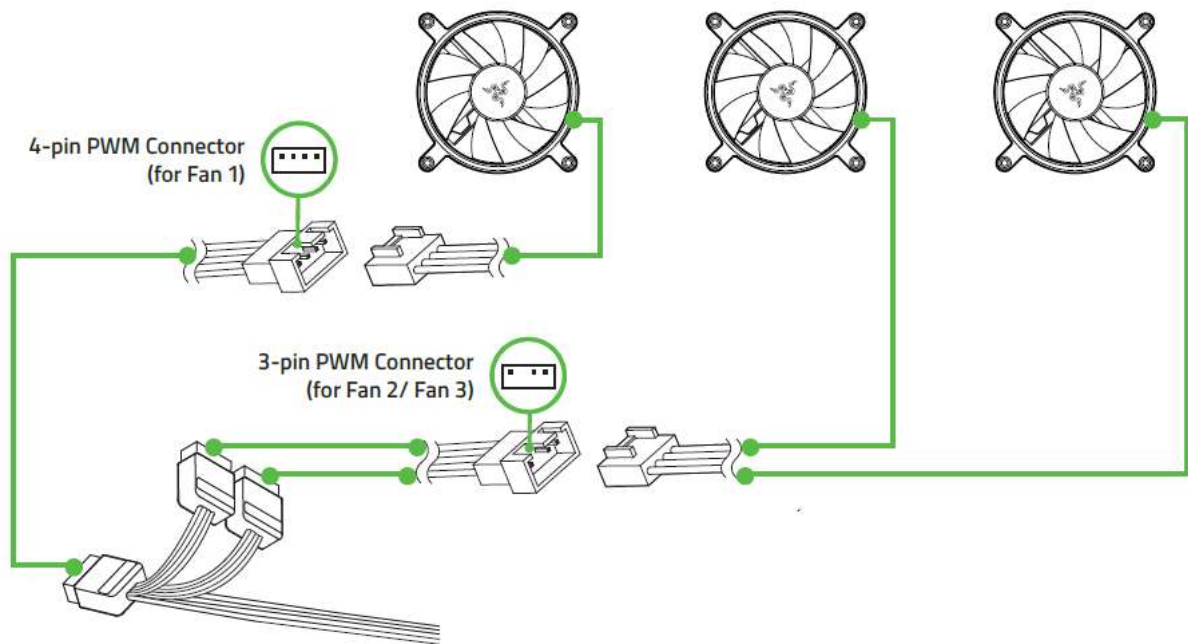


i You may mount the radiator either on top or in front of the chassis.

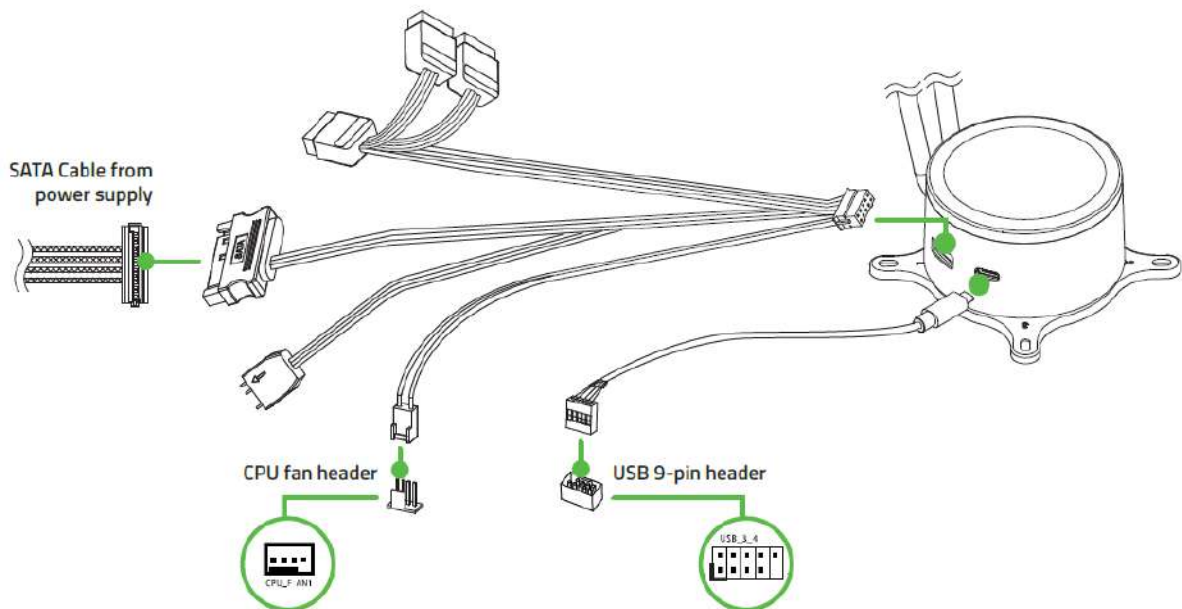
6. Link one of the fans (Fan 1) to the 12-pin breakout cable using the 3-pin aRGB connector, and then link the other fans in sequence using their aRGB connectors.



7. Link one of the fans (Fan 1) to the 12-pin breakout cable using the 4-pin PWM connector, and then link the other fans in sequence using the 3-pin PWM connector.



8. Connect the USB Type-C cable and 12-pin breakout cable to your AIO cooler. Attach the rest of the connectors to the CPU fan header and USB 9-pin header of your motherboard; and the SATA cable from your power supply respectively.



i Header locations may vary, please consult your motherboard's user manual. Install Razer Synapse when prompted or download the installer from [razer.com/synapse](https://www.razer.com/synapse)

9. Use the Razer Synapse app to access fan speed adjustments and in-depth lighting customization options across your Razer Chroma-enabled devices for a truly immersive experience.



DOWNLOAD
razer.com/synapse

6. SAFETY AND MAINTENANCE

SAFETY GUIDELINES

In order to achieve maximum safety while using your Razer Hanbo, we suggest that you adopt the following guidelines:

- Should you have trouble operating the device properly and troubleshooting does not work, unplug the device and contact the Razer hotline or go to support.razer.com for support. Don't attempt to service or fix the device yourself at any time.
- Don't take apart the device and don't attempt to operate it under abnormal current loads. Doing so may void your warranty.
- Only use accessories provided with the device and only purchase accessories made and/or approved by Razer.
- Power off the device before making any relocation, modifications, and/or connecting/disconnecting any component.
- Always handle all included accessories with care. When plugging or unplugging any accessory, always grip its plug/connector.
- Don't use or install the device and its components near water, moisture, solvents, or other wet surfaces, nor expose these components to high temperatures or direct sunlight.
- Keep the device and its components away from liquid, humidity or moisture. Operate the device and its components only within the specific temperature range of 0°C (32°F) to 45°C (113°F). Should the temperature exceed this range, unplug and switch off the device in order to let the temperature stabilize to an optimal level.

7. LEGALESE

COPYRIGHT AND INTELLECTUAL PROPERTY INFORMATION

©2021 Razer Inc. All rights reserved. Razer, the triple-headed snake logo, Razer logo, “For Gamers. By Gamers.”, and “Razer Chroma” logo are trademarks or registered trademarks of Razer Inc. or affiliated companies in the United States and other countries. All other trademarks are the property of their respective owners.

Windows and the Windows logo are trademarks of the Microsoft group of companies.

Razer Inc. (“Razer”) may have copyright, trademarks, trade secrets, patents, patent applications, or other intellectual property rights (whether registered or unregistered) concerning the product in this guide. Furnishing of this guide does not give you a license to any such copyright, trademark, patent or other intellectual property right. The Razer Hanbo (the “Product”) may differ from pictures whether on packaging or otherwise. Razer assumes no responsibility for such differences or for any errors that may appear. Information contained herein is subject to change without notice.

LIMITED PRODUCT WARRANTY

For the latest and current terms of the Limited Product Warranty, please visit [razer.com/warranty](https://www.razer.com/warranty).

LIMITATION OF LIABILITY

Razer shall in no event be liable for any lost profits, loss of information or data, special, incidental, indirect, punitive or consequential or incidental damages, arising in any way out of distribution of, sale of, resale of, use of, or inability to use the Product. In no event shall Razer’s liability exceed the retail purchase price of the Product.

GENERAL

These terms shall be governed by and construed under the laws of the jurisdiction in which the Product was purchased. If any term herein is held to be invalid or unenforceable, then such term (in so far as it is invalid or unenforceable) shall be given no effect and deemed to be excluded without invalidating any of the remaining terms. Razer reserves the right to amend any term at any time without notice.