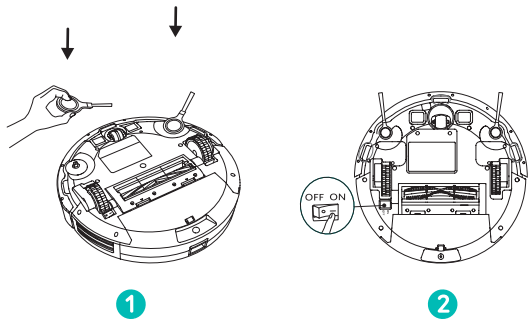
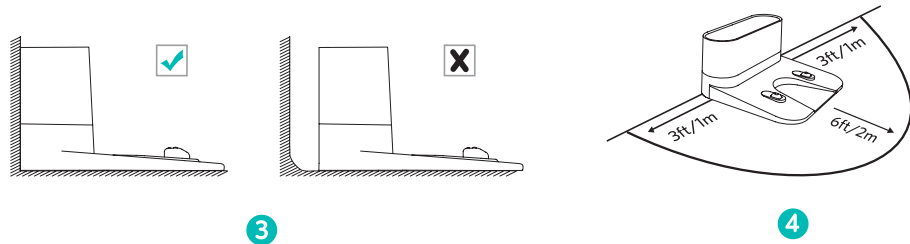


# Quick Start Guide

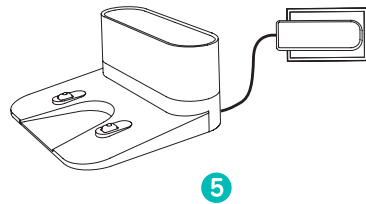
## Using Your RoboVac



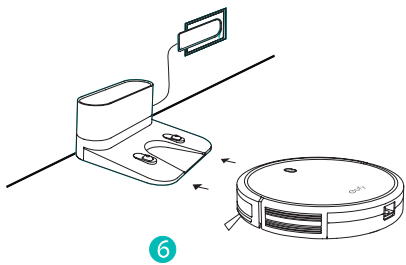
**T** Remove the sticker next to the power switch, and the foam blocks beside the bumper before use.



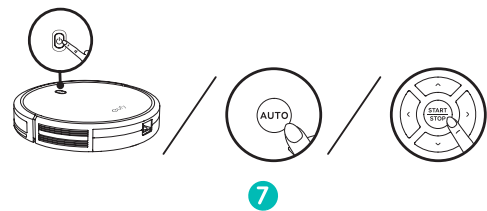
**T** - Always keep the Charging Base plugged in, otherwise RoboVac will not automatically return.  
 - When the Charging Base connects to AC power, the LED indicator on the Charging Base is SOLID WHITE.



**T** Fully charge RoboVac before use. The LED indicator on RoboVac breathes orange while charging, and is solid blue when fully charged.

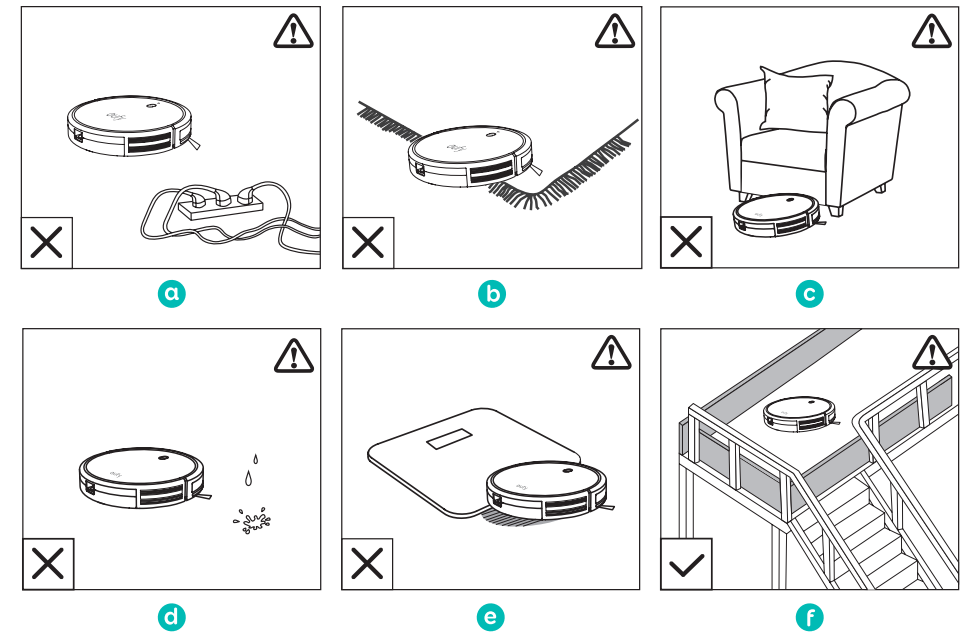


**T** Refer to the Owner's Manual to learn how to select other cleaning modes and to set cleaning schedules.



## Important Tips

When using for the first time, follow RoboVac to observe and resolve any problems that may occur.



- a** Remove power cords and small objects from the floor that may entangle RoboVac.
- b** Fold tasseled edges of area rugs underneath to prevent tangling RoboVac. Avoid cleaning very dark-colored rugs or high-pile rugs thicker than 1.02 in/26 mm as they may cause RoboVac to malfunction.
- c** Keep RoboVac away from spaces lower than 2.87 in/73 mm to prevent RoboVac from getting stuck. If necessary, place a physical barrier to block off the problem areas.
- d** Keep RoboVac away from wet areas.
- e** RoboVac may climb on top of objects less than 0.63 in/16 mm in height. Remove these objects if possible.
- f** Anti-drop sensors prevent RoboVac from tumbling down stairs and steep drops. They may work less effectively if dirty or used on reflective/very dark-colored floors. It is recommended to place physical barriers to block off areas where RoboVac may fall.

**T** Place physical barriers in front of fireplaces and areas that may cause damage to RoboVac if entered.