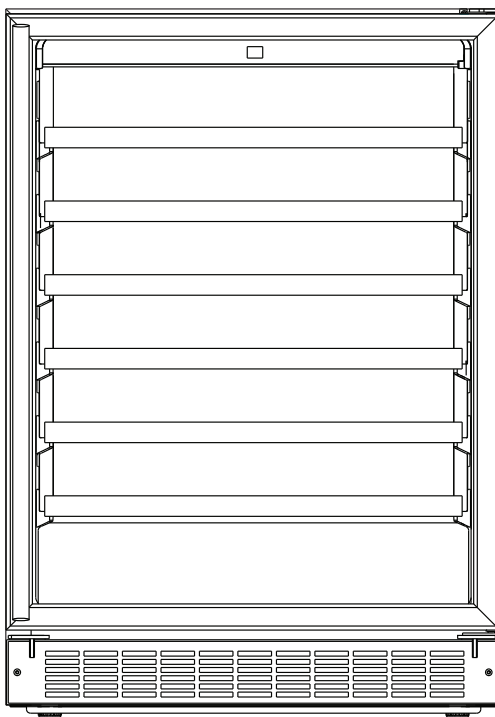


INSIGNIA™

USER GUIDE

61-Bottle Built-In Wine Cooler

NS-BI1ZWC



Before using your new product, please read these instructions to prevent any damage.

Contents

- IMPORTANT SAFETY INSTRUCTIONS 3
- Features 5
 - Package contents 6
 - Components 6
 - Dimensions 7
 - Control and display panel 8
- Setting up your wine cooler 9
 - Before using your cooler 9
 - Finding a suitable location 9
 - Installing the handle 10
 - Front vent 11
 - Building in your wine cooler 12
 - Leveling your cooler 13
 - Reversing the door 13
 - Grounding requirement 18
 - Connecting to power 18
- Using your wine cooler 19
 - Turning on your cooler 19
 - Setting the temperature 19
 - Changing the temperature display 19
 - Lighting your cooler 19
 - Memory function 19
 - Storing wine 20
 - Serving and storage tips 21
- Maintaining your wine cooler 22
 - Defrosting your cooler 22
- Alarms 22
 - Door ajar alarm 22
 - Temperature alarms and error codes 22
- Storing your cooler 23
- Moving your wine cooler 23
- Power failure 23
- Disposal 24
- Tips on saving energy 24
- Troubleshooting 24
 - Error codes 24
- Specifications 25
- ONE-YEAR LIMITED WARRANTY 26

IMPORTANT SAFETY INSTRUCTIONS



This symbol indicates that dangerous voltage constituting a risk of electric shock is present within your cooler.



This symbol indicates that there are important operating and maintenance instructions in the literature accompanying your cooler.

WARNING

To reduce the risk of fire, electrical shock, or injury follow these basic precautions when using your cooler:

- Read all instructions before using the wine cooler.
- Never allow children to operate, play with, or crawl inside the appliance.
- **Refrigerants:** All refrigeration products contain refrigerants. Under the guidelines of federal law, refrigerants must be removed before the disposal of the product. It is the consumer's responsibility to comply with federal and local regulations when disposing of this product.
- Never clean the appliance with flammable fluids. The fumes can create a fire hazard or explosion.
- Do not store or use gasoline or any other flammable vapors and liquids in the vicinity of this or any other appliance. The fumes can create a fire hazard or explosion.
- Do not store explosive substances, such as aerosol cans with a flammable propellant, in this appliance.

SAVE THESE INSTRUCTIONS

DANGER: Risk of fire or explosion. Flammable refrigerant used.

- Do not puncture refrigerant tubing.
- Do not use mechanical devices to defrost your cooler.
- Ensure that servicing is done by factory authorized service personnel, to minimize product damage or safety issues.
- Consult repair manual or owner's guide before attempting to service this product. All safety precautions must be followed.
- Dispose of properly in accordance with federal or local regulations.
- Follow handling instructions carefully.



WARNING

Electric Shock Hazard

Failure to follow these instructions can result in electric shock, fire, or death.

- 1 WARNING**—Keep ventilation openings in the appliance enclosure or in the built-in structure clear of obstruction.
- 2 WARNING**—Do not touch the interior of the chiller compartment with wet hands. This could result in frost bite.
- 3 WARNING**—Do not use mechanical devices or other means to accelerate the defrosting process, other than those recommended by the manufacturer.
- 4 WARNING**—Do not damage the refrigerant circuit when handling, moving, or using your cooler.
- 5 WARNING**—Do not use electrical appliances inside the storage compartment of your cooler, unless they are of the type recommended by the manufacturer.
- 6 WARNING—DANGER**—Never allow children to play with, operate, or crawl inside your cooler.
Risk of child entrapment. Before you throw away your old cooler:
 - 1) Take off the door
 - 2) Leave the shelves in place so that children may not easily climb inside
- 7** Unplug your cooler before carrying out user maintenance on it.
- 8** This appliance is not intended for use by persons (including children) with reduced physical, sensory, or mental capabilities, or lack of experience and knowledge, unless they have been given supervision or instruction concerning use of the appliance by a person responsible for their safety. Children should be supervised to ensure that they do not play with the appliance.
- 9** Please dispose of the cooler according to local regulations as the cooler contains flammable gas and refrigerant.
- 10** Follow local regulations regarding disposal of the cooler due to flammable refrigerant and gas. All refrigeration products contain refrigerants, which under the guidelines of federal law must be removed before disposal. It is the consumer's responsibility to comply with federal and local regulations when disposing of this product.



- 11** This cooler is intended to be used in household and similar environments, such as:
- Staff kitchen areas in shops, offices, and other working environments
 - Farm houses and by clients in hotels, motels, and other residential environments
 - Bed and breakfasts
 - Catering and similar non-retail applications
- 12** Do not store or use gasoline or any flammable liquids inside or in the vicinity of this cooler.
- 13** Do not expose this cooler to rain.

Grounding Instructions

This appliance must be grounded. Grounding reduces the risk of electrical shock by providing an escape wire for the electrical current.

This appliance has a cord that has a grounding wire with a 3-prong plug. The power cord must be plugged into an outlet that is properly grounded. If the outlet is a 2-prong wall outlet, it must be replaced with a properly grounded 3-prong wall outlet. The serial rating plate indicates the voltage and frequency the appliance is designed for.

WARNING: Improper use of the grounding plug can result in a risk of electric shock. Consult a qualified electrician or service agent if the grounding instructions are not completely understood, or if doubt exists as to whether the appliance is properly grounded.

Do not connect your appliance to extension cords or together with another appliance in the same wall outlet. Do not splice the power cord. Do not, under any circumstances, cut or remove the third ground prong from the power cord. Do not use extension cords or ungrounded (two prong) adapters. If the power supply cord is damaged, it must be replaced by the manufacturer or its service agent or similar qualified person in order to avoid hazard.

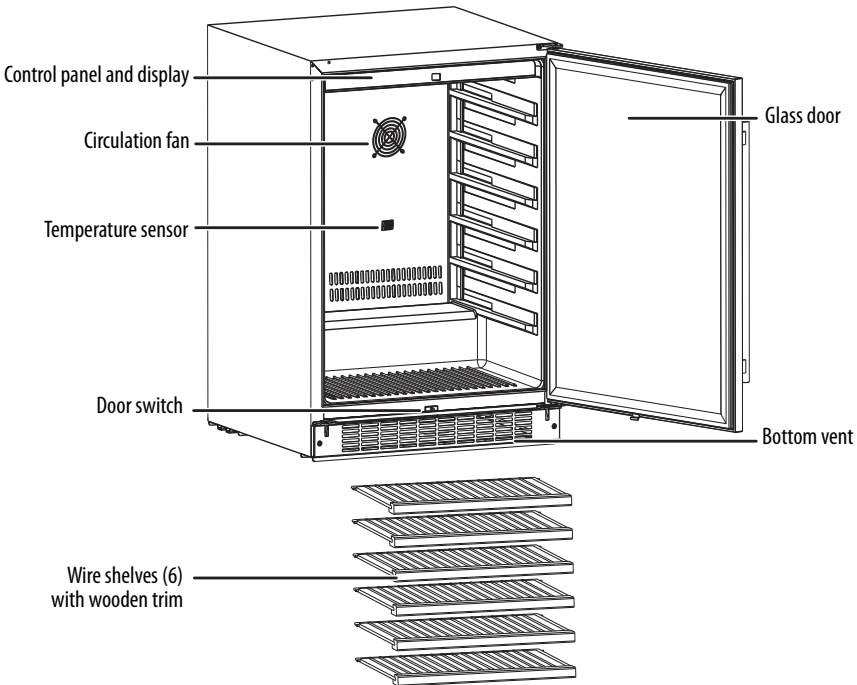
Features

- Built-in cabinet stores up to 61 bottles of wine, giving you space for all your favorites
- Single-zone design keeps wine at your chosen temperature, from 41° F and 64° F (5° C and 18° C)
- Adjustable wire shelves with wooden trim add a sophisticated touch
- Touchscreen display makes it easy to turn your cooler on/off or adjust temperature settings
- Clear glass door and interior lighting make it easy to see inside
- Reversible door and adjustable legs give you flexible options
- Stainless steel finish looks stylish in any room and is easy to keep clean

Package contents

- 61-bottle built-in wine cooler
- Wire shelves (6)
- Handle
- Hardware Bag, including:
 - Hex key
 - Handle screws (2)
 - M5 x 10 Door pivot bracket screws (2)
 - Door axis sleeve
 - M5 x 14 Door frame decorative screws (2)
 - M4 x 12 Hinge screws (3)
 - Black decorative plastic plugs (3)
 - Left top hinge
 - Left door pivot bracket
 - Black washer (2)
- *User Guide*

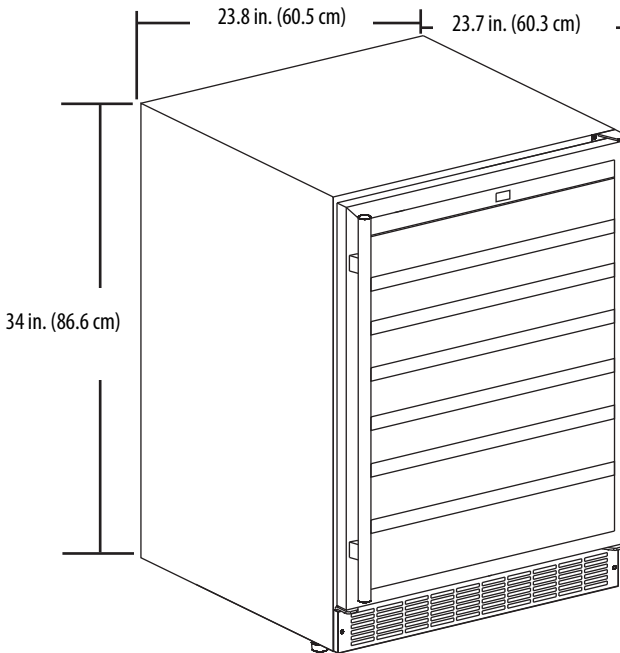
Components



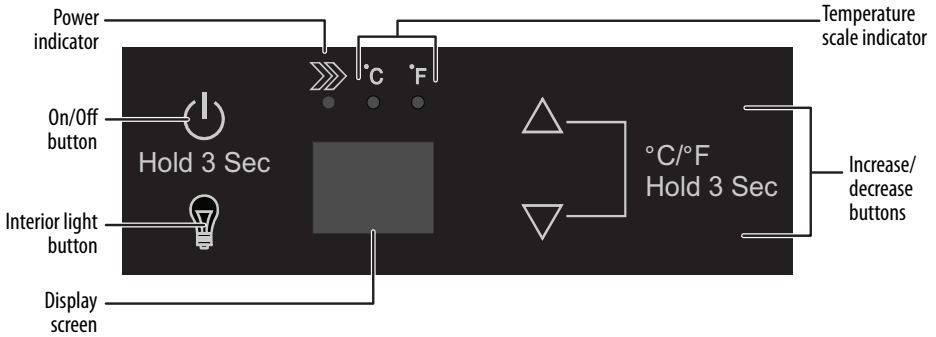
Notes:






- For your cooler to operate normally, avoid placing it in areas with high magnetic fields or high humidity.
- When you put a lot of wine bottles in your cooler at one time, the temperature in your cooler may rise temporarily.
- After unplugging your cooler, to prolong the service life of the compressor, wait for at least five minutes before plugging it back in.


Dimensions



Control and display panel



BUTTON	FUNCTION
	Press to turn the power on or off.
	Press to turn the interior light on or off. The light turns on automatically when the door is open, and turns off when the door is closed.
	Press to raise the temperature.
	Press to lower the temperature.
	Press and hold both buttons simultaneously to switch between F° and C°.

INDICATOR	DESCRIPTION
	Lights to indicate that cooling mode is on.
°C/°F	Indicates which temperature mode is being displayed.

Notes:

- Touch the control panel lightly when pressing the keys.
- To avoid scratching the control panel, do not touch it with sharp objects.

Setting up your wine cooler

CAUTION: This appliance is heavy. We suggest having two people set up or move.

Before using your cooler

- Remove the exterior and interior packing.
- Let your cooler stand upright for approximately six hours before connecting it to power. This reduces the possibility of a malfunction in the cooling system from improper handling during transportation.
- Clean the exterior surface of your cooler with a soft, dry cloth and clean the interior surface with lukewarm water using a soft cloth.

Finding a suitable location

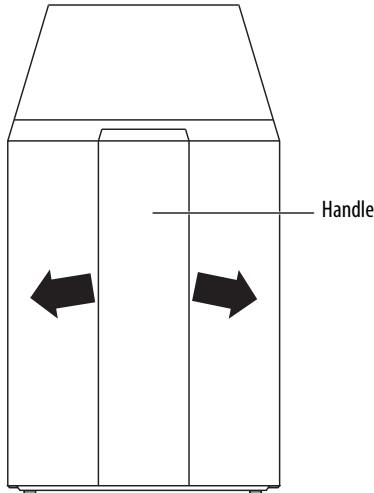
- Your cooler is designed to be built-in or free standing.
- Place your cooler on a floor, countertop, or cabinet that is strong enough to support it when it is fully loaded.
- Locate your cooler away from direct sunlight and sources of heat (stove, heater, radiator, and so on). Direct sunlight may affect the acrylic coating and heat sources may increase electrical consumption.
- Ambient temperature below 68° F (20° C) or above 90° F (32° C) will hinder the performance of your cooler. Your cooler is not designed for use in a garage or any other outside installation.
- Avoid locating your cooler in moist areas.
- Your cooler is intended for household use only. It is not designed for outside installation, including anywhere that is not temperature controlled (such as garages, porches, or vehicles). Your cooler is not designed to be installed in an RV or used with an inverter.
- Do not stack beverage coolers.

Installing the handle

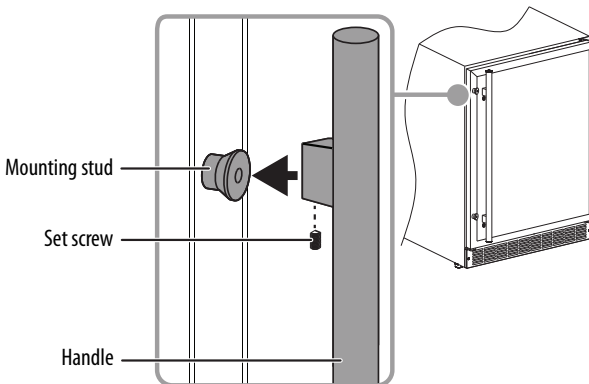
Notes:

- We recommend having two people complete the installation.
- To avoid scratching the front panel, place a soft cloth or towel against the panel while installing the door handle.

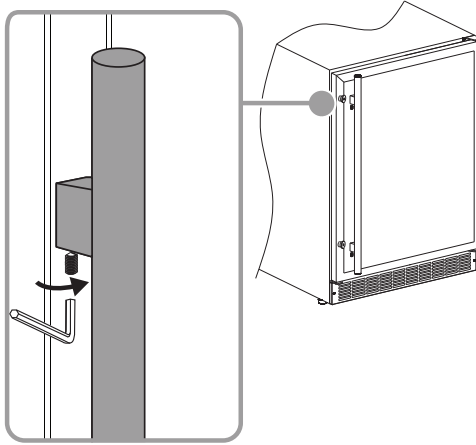
- 1 Remove the door handle and hardware bag from your cooler. The hardware bag contains a hex key and two extra screws.



- 2 Place your cooler carefully on its back.
- 3 Place the handle on the mounting studs. The set screws are pre-installed in the handle and should face down when installed correctly.



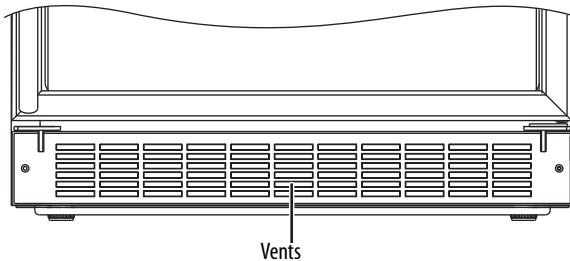
- 4 Push the door handle tightly against the door.
- 5 Insert the short end of the hex key into the set screw and tighten until snug (do not overtighten). The set screw is not recessed into the handle.



- 6 Repeat Step 5 for the other set screw.
- 7 Keep the hex key with these installation instructions for future use.

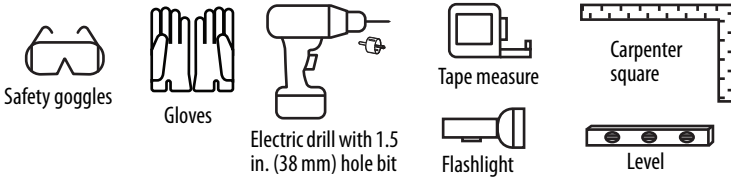
Front vent

Your cooler is front vented. Do not block the front air vent. Doing so will result in high operating temperatures, higher energy usage, and possible system overheating and failure.



Building in your wine cooler

Required tools



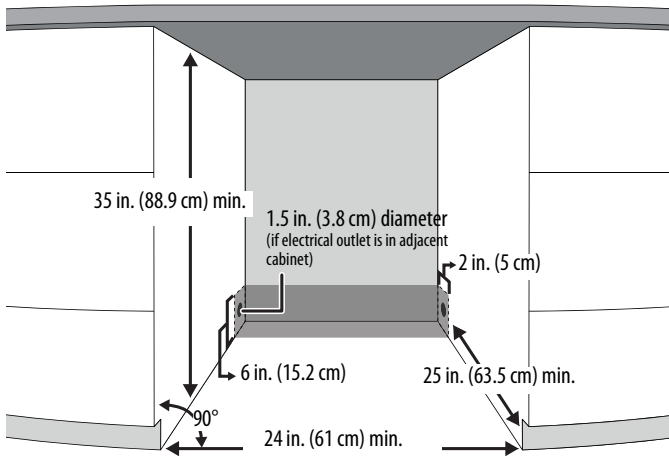
Preparing the enclosure

CAUTION: Wear gloves and safety goggles during installation.

We do not recommend that you install your cooler into a corner or directly beside a wall. The door needs to be opened more than 90° to allow full extension of the shelves. If it is necessary to place the unit next to a wall or in a corner, leave at least 2.4 - 4 in. (6 - 10 cm) between the wall and the appliance to allow for the door opening.

Notes:

- The indicated depth requirement assumes that the electrical outlet is located in the adjacent cabinet or is flush mounted (not surface mounted) in the rear wall of the enclosure.
- If the electrical outlet is located inside an adjacent cabinet, cut a 1.5 in. (3.8 cm) diameter hole to route the power cord. If the cabinet wall is metal, the hole edge must be covered with a bushing or grommet to protect the cord.

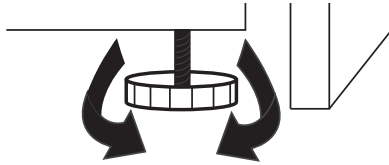


If you are installing your cooler between frameless cabinets, a 0.5 in. (1.3 cm) wide filler strip or side panel may be needed on both sides of your cooler. The filler strip provides a space between the appliance case and the adjacent cabinet door swing. The width of the opening must include the filler panels. The door should extend at least 1 in. (2.6 cm) beyond the surrounding cabinets.

Leveling your cooler

It is very important for your cooler to be level in order to function properly. If your cooler is not leveled during installation, the door may not close or seal properly, causing cooling, frost, or moisture problems.

- 1 Move your cooler to its final location.
- 2 Turn the leveling foot counter-clockwise until it touches the bottom of the cabinet.
- 3 Slowly turn the leveling foot clockwise until your cooler is level.

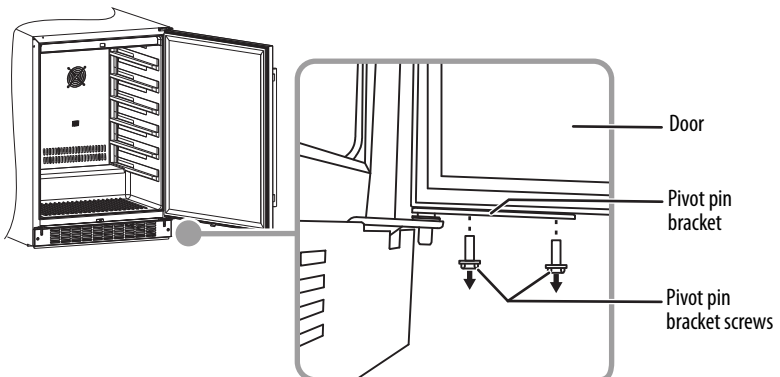


Reversing the door

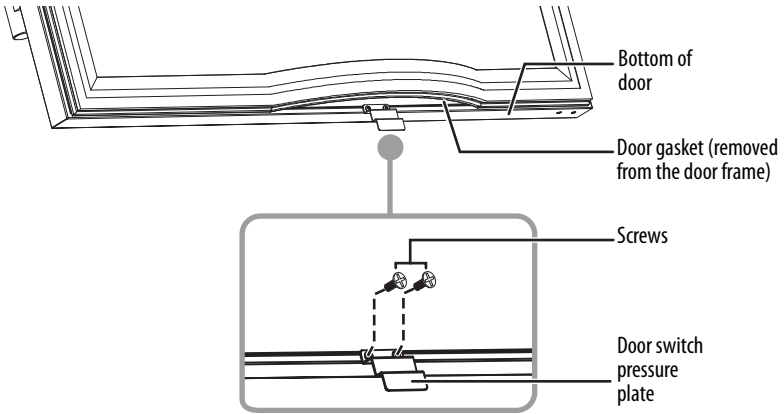
Note: We recommend having at least two people complete the installation.

- 1 Remove all bottles from the cooler.
- 2 Remove the parts from the hardware bag.
- 3 Open the door, then use a Phillips screwdriver to remove the pivot pin bracket screws from the bottom of the door.

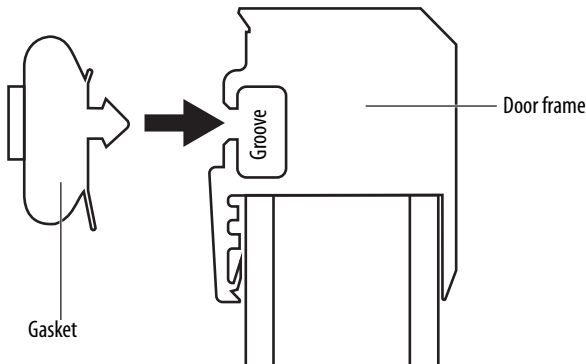
Note: Lean the cooler back slightly for better access to the screws.



- 4 Pull the bottom of the door out, then move the door down to release it from the top hinge.
- 5 Place the door on a blanket or carpet to avoid damage.
- 6 Remove the top and bottom door gaskets by gently pulling the gaskets out of the mounting groove in the door frame with your fingers.
- 7 Use a screwdriver to remove the door switch pressure plate screws from the bottom of the door and remove the pressure plate.

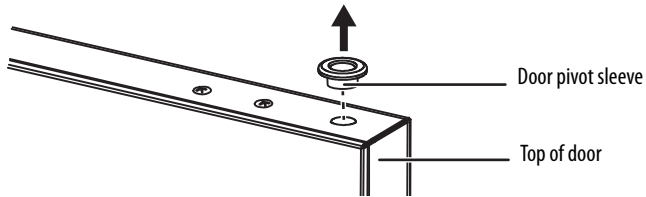


- 8 Install the door switch pressure plate to the top of the door with the screws you removed.
- 9 Attach the door gasket by aligning the corners, then pressing it into the groove in the door frame. Make sure that the gasket is firmly in the groove and makes even contact with both the door and the cooler when the door is closed.

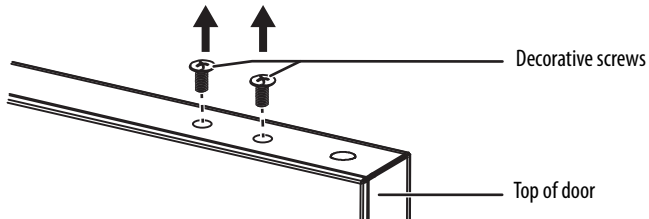


- 10** Use a thin, flat blade screwdriver or knife blade to remove door pivot sleeve from the top of the door, then take the new door pivot sleeve from the hardware bag and install it on the bottom of the door in the hole provided.

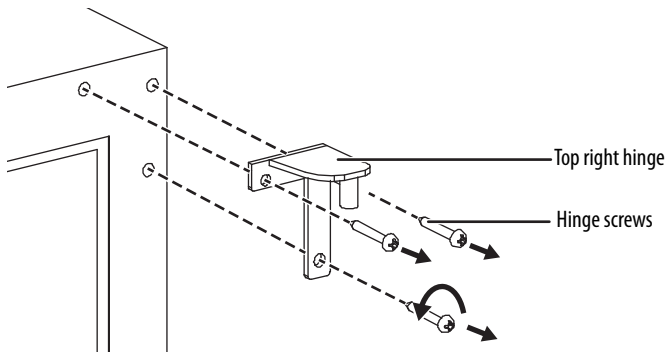
WARNING: Be extremely careful when using a screwdriver or knife blade so that you don't cut your hand or fingers, or otherwise injure yourself.



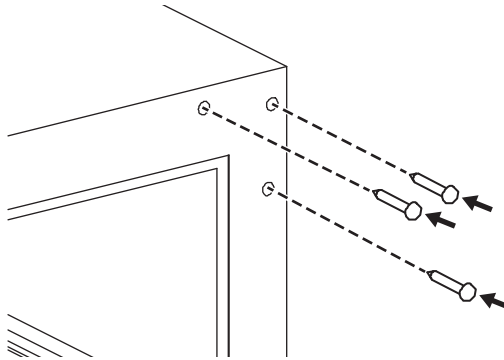
- 11** Remove the decorative screws from the top of the door, then take the new decorative screws from the hardware bag contents and install them in the bottom of the door.



- 12** Remove the screws securing the top right hinge to the cooler, then remove the hinge.

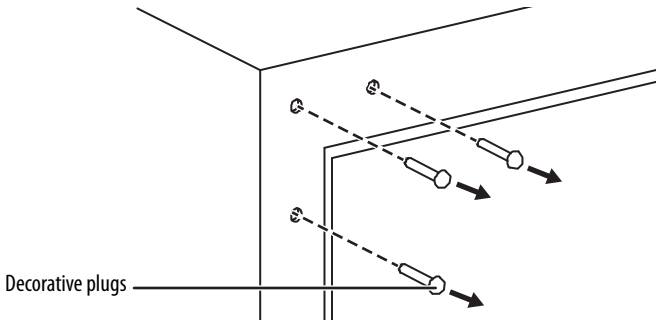


- 13** Remove three black decorative plugs from the hardware bag and install them in the three top right hinge holes.

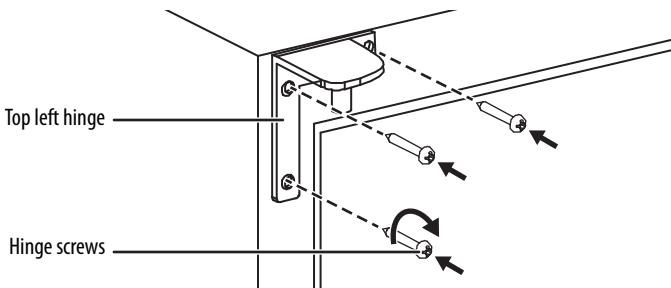


- 14** Use a thin, flat blade screwdriver or knife blade to remove the three black decorative plugs from the top left hinge holes.

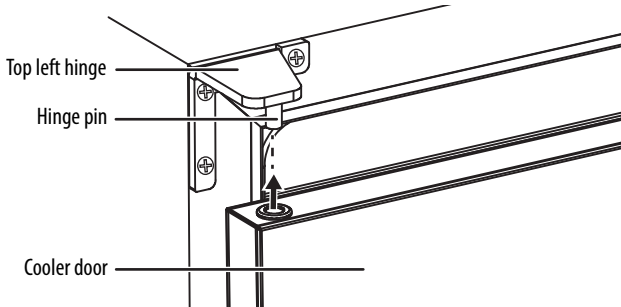
WARNING: Be extremely careful when using a screwdriver or knife blade so that you don't cut your hand or fingers, or otherwise injure yourself.



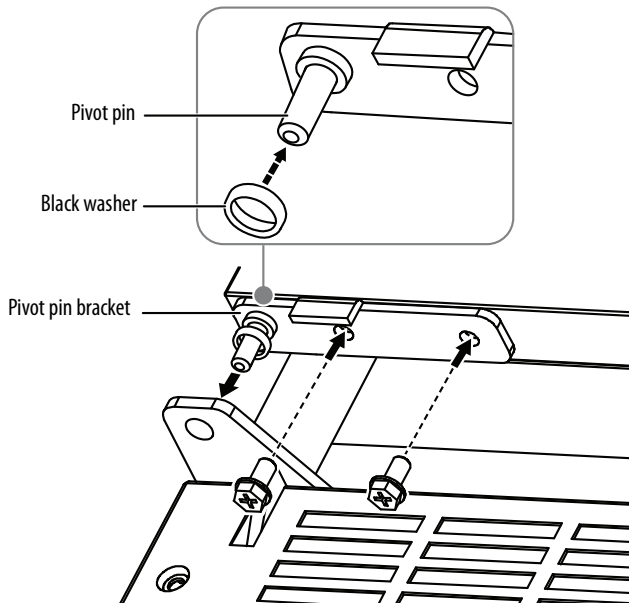
- 15** Install the top left hinge with three M4 x 12 screws from the hardware bag.



- 16** Rotate the glass door 180°, making sure that the door axis sleeve is on left top side and the door switch pressure plate is on the bottom side.
- 17** Hold the door and insert the door pivot sleeve into the hinge pin on the top left hinge.



- 18** Take the left pivot pin bracket from the hardware bag.
- 19** Place a black washer over the pivot pin, then insert the pivot pin bracket into the hole in the bottom left hinge, push the bottom of the door in and align the door with the holes in the pivot pin bracket. Secure the bracket with M5 x 10 screws from the hardware bag.



- 20** Remove the handle, then reinstall it so that the set screws face the bottom. See Installing the handle on page 10 for instructions.

Grounding requirement

Your cooler must be grounded. Your cooler is equipped with a cord having a grounding wire with a three-prong grounding plug. The plug must be inserted into an outlet that is properly installed and grounded.

Consult a qualified electrician or service person if the grounding instructions are not completely understood, or if doubt exists as to whether your cooler is properly grounded.

WARNINGS:

- Improper use or defeat of the grounding plug can result in a risk of electric shock.
- Do not, under any circumstances, cut or remove the third ground prong from the supplied power cord.

Connecting to power

- Plug your cooler into a dedicated, properly installed grounded wall outlet. Your cooler should be operated on a separate electrical circuit from other appliances. Any questions concerning power and/or grounding should be directed toward a certified electrician or an authorized service center.

CAUTION: Your cooler is not designed to be installed in an RV or used with an inverter.


- Plug in and run your cooler for three to four hours before making any temperature adjustments and before adding wine. This allows your cooler to reach a stable temperature.


Notes:

- Check your local power source. Your cooler requires a 110 V-120 V, 60 Hz power supply.
 - Use a receptacle that accepts the grounding prong. The power cord is equipped with a 3-prong (grounding) plug which mates with a standard 3-prong (grounding) wall outlet to minimize the possibility of electric shock hazard from your cooler.
- Do not use an extension cord with your cooler. If the power cord is too short, have a qualified electrician install an outlet near your cooler. Use of an extension cord can negatively affect your cooler's performance.

Using your wine cooler

Turning on your cooler



Your cooler turns on automatically when you plug it in. You do not need to push the  button to turn it on.

You can manually set your cooler to “Standby” mode by pressing and holding the  button for approximately three seconds, provided that no other setting is in effect (the display is not blinking). Repeating this action restarts your cooler.

Setting the temperature

Under normal conditions, the display always shows the set temperature.

The default temperature setting is 54° F (12° C), and the default temperature scale is ° F.



When the  or  buttons are pressed, the temperature increases or decreases in increments of one degree.

The actual temperature inside your cooler can vary, based on ambient temperature, how often the door is opened, and how many warm bottles have recently been added.

Notes:

- A large number of bottles will lower the cooling efficiency of your cooler.
- Adjust the thermostat setting by one increment at a time. Allow several hours for the temperature to stabilize between adjustments.

Changing the temperature display

To switch the display between F° and C°, press and hold the  and  buttons at the same time for approximately three to five seconds.

Lighting your cooler

Your cooler has a door switch that automatically turns on the interior LED light when you open the door and turns it off when you close the door.

If you want to light the interior of your cooler to display your wine when the door is closed, open the door, press the  button twice, then close the door. This mode is canceled when you open the door and press the  button again.

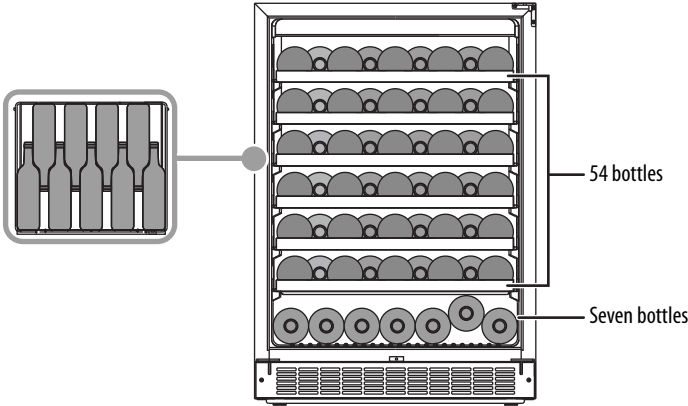
Energy-efficient LEDs are used for long-term durability.

Memory function

If you experience a power outage while your cooler is on, when the power is restored, your cooler will resume the same temperature that was set when the power went off.

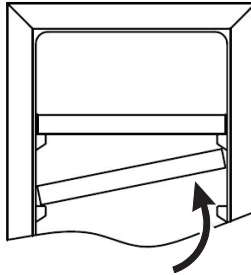
Storing wine

It is necessary to position the bottles alternately on the upper six shelves. This allows for the storage of nine 750 ml bottles on each of the six shelves and seven bottles on the bottom shelf, for a total storage capacity of 61 wine bottles. Shelves can be removed to accommodate larger bottles.



Removing a shelf

- 1 Remove all bottles from the shelves.
- 2 Tilt one side of the shelf upward and then gently pull out the shelf.



Replacing a shelf

- To reinstall the shelf, make sure that it is resting securely on the support brackets, then push inward until it clicks into place.

CAUTION: Make sure that the tabs are firmly engaged in the supporting guides before storing any bottles.

Serving and storage tips

We suggest that you pour wine at a temperature below the ideal serving temperature, because the wine warms up quickly after it's been poured into a glass.

WINE TYPE	IDEAL SERVING TEMP
Red Bordeaux	64.4° F (18° C)
Côtes du Rhône Red/Barolo Louis Family Dry Red Wine/Barolo	62.6° F (17° C)
Burgundy Red	60.8° F (16° C)
Port	59° F (15° C)
Young Burgundy Red	57.2° F (14° C)
Young Red Wine	53.6° F (12° C)
Young Beaujolais/All White Wines (low sugar)	51.8° F (11° C)
Old White Wines/Chardonnay	50° F (10° C)
Sherry	48.2° F (9° C)
Young White Wines (late vintage)	46.4° F (8° C)
White Wines Loire/Entre-deux-Mers	44.6° F (7° C)

- In order to maintain good air circulation in your cooler, do not let the bottles touch the back of your cooler.
- Do not store bottled wine by the box or case in your cooler.
- The cork of an opened bottle should always be moistened when returning it to the bottle.
- Red wine should be allowed to breathe (oxygenate) before drinking. We suggest that you put pink/rose type wines on the table two to five hours before drinking and red wine four to five hours before drinking. That also allows them to reach the suitable serving temperature. White wine, on the other hand, can be served right away.
- Champagne should always be stored in your cooler and taken out immediately before drinking.

Maintaining your wine cooler

Your cooler is designed for year-round use with only minimal cleaning and maintenance.

When you first receive it, wipe the cabinet with a mild detergent and warm water, then wipe dry with a dry cloth. Do this periodically to keep your cooler looking new.

CAUTION: To prevent damage to the finish, do not use:

- Gasoline, benzine, thinner, or other similar solvents
- Ammonia or alcohol
- Abrasive cleaners
- Sharp objects or blades

Cleaning the interior of your cooler:

- 1 Turn off your cooler and unplug it from the wall outlet.
- 2 Remove all wine.
- 3 Wash the inside with a warm, damp cloth soaked in a solution of one quart of lukewarm water and two tablespoons of baking soda.
- 4 Be sure to keep the door gasket (seal) clean to keep your cooler running efficiently.
- 5 Dry the interior and exterior with a soft cloth.

Defrosting your cooler

Your cooler is equipped with an automatic defrost function and does not require manual defrosting. Defrost water from your cooler is channeled into a drip tray located above the compressor. Heat transfer from the compressor causes the defrost water to evaporate.

Alarms

Door ajar alarm

If the door is not closed completely for five minutes, an alarm sounds. Close the door to silence the alarm.

If the door is closed and the alarm continues to sound, make sure that the actuator at the bottom of the door is making contact with the switch on your cooler.

If the door alarm sounds when filling your cooler, it can be silenced by pressing the power button once.

Temperature alarms and error codes

If the inner cabinet temperature is higher than 73° F (23° C) for one hour, the error code "HI" shows on the display and an alarm sounds.

If the inner cabinet temperature is lower than 32° F (0° C), the error code "LO" shows on the display and an alarm sounds.

If the inner cabinet temperature remains at 32° F (0° C) for more than 30 minutes, the error code "CL" shows on the display, an alarm sounds, and your cooler stops functioning to prevent the contents from freezing.

Storing your cooler

- 1 Turn off your cooler and unplug it from the wall outlet.
- 2 Remove all wine.
- 3 Clean your cooler.
- 4 Leave the door open slightly to avoid possible formation of condensation, mold, or odor.

CAUTION: Use extreme caution with children. Your cooler should not be accessible to child's play.

Moving your wine cooler

- 1 Turn off your cooler and unplug it from the wall outlet.
- 2 Remove all wine.
- 3 Securely tape down all loose items inside your cooler.
- 4 Turn the leveling foot up to avoid damage.
- 5 Tape the door shut.
- 6 Protect the outside of your cooler with a blanket or similar item.
- 7 Make sure that your cooler stays in the upright position during transportation.

If that is not possible and your cooler must be placed on its back or side during transportation, upon reaching the destination allow it to remain upright for six hours before plugging it in to avoid damage to internal components.

Power failure

Most power failures are corrected within a few hours and should not affect the temperature of your appliance, if you minimize the number of times the door is opened. If the power is going to be off for a longer period of time, take the proper steps to protect the contents of your cooler.

Note: Wait three to five minutes before attempting to restart the appliance if operation has been interrupted.

Disposal

Your cooler may not be treated as regular household waste. It should be taken to an appropriate waste collection point for recycling of electrical components. For information on local waste collection points, contact your local waste removal agency or government office.

Tips on saving energy

- Locate your cooler in the coolest area of the room, away from heat producing appliances or heating ducts and out of direct sunlight.
- Overloading your cooler forces the compressor to run longer.
- Do not open the door too often, especially if the weather is very hot. Close the door as soon as possible to prevent cool air from escaping.
- Make sure that your cooler is sufficiently ventilated, with adequate air circulation behind it.

Troubleshooting

CAUTION: Do not try to repair your cooler yourself. Doing so invalidates the warranty.

Error codes

If the “HI”, “LO”, or “CL” error codes appear on the display for more than five minutes, a power reset may rectify the issue (see [Temperature alarms and error codes](#) on page 22). Unplug your cooler, wait five minutes, then plug it back in. If the error code persists, contact consumer care or an authorized service agent.

PROBLEM	SOLUTION
Your cooler does not operate.	<ul style="list-style-type: none"> • Make sure that your cooler is plugged in and that the plug is pushed completely into the outlet. • Check the house fuse/circuit breaker box and replace the fuse or reset the circuit breaker. • If a power failure occurs, your cooler turns off. Wait until the power is restored, then turn it on again.
Your cooler door does not close completely.	<ul style="list-style-type: none"> • Adjust the shelf properly. • Clean the door gaskets. • Level your cooler with the leveling feet.
Your cooler is not cold enough.	<ul style="list-style-type: none"> • Make sure that the door is closed properly. • Allow time for new beverages to cool, then check again. • Set the control to a colder setting.

PROBLEM	SOLUTION
Your cooler makes unusual noises or vibrates.	<ul style="list-style-type: none"> • Level your cooler with the leveling feet. • Move your cooler out from the wall. • This is normal.
Moisture is building up on the interior walls and door of your cooler.	<ul style="list-style-type: none"> • Make sure that the door is closed properly. • Door is left open too long or opened too frequently.
Moisture is building up on the exterior of your cooler.	<ul style="list-style-type: none"> • Make sure that the door is closed properly. Cold air from inside your cooler may be leaking. • Make sure that the door and gasket are properly aligned. • Weather is hot and humid (this is normal). • Move your cooler to a dryer location.
Your cooler turns on and off frequently.	<ul style="list-style-type: none"> • Cool the room or move your cooler to a cooler location. • Make sure that the door is closed properly. • Clean the door gaskets. • Set the control to a colder setting.
The display shows an error code and an alarm sounds	<ul style="list-style-type: none"> • See Temperature alarms and error codes on page 22.

Specifications

Dimensions (HxWxD)	34 × 23.8 × 23.7 in. (86.6 × 60.5 × 60.3 cm)
Net weight	107 lbs. (48.5 kg)
Capacity	61 bottles (750 ml)
Power requirements	115V~60Hz
Current	1.2A
Operating temperature	41° F to 64° F (5° C to 18° C)
Refrigerant type	R600a
Humidity level in your cooler (normal)	50%-80%
Noise (Db) level	42
Annual energy cost	19.00 dollars
Cord length	70.8 in. (≥180 cm)

ONE-YEAR LIMITED WARRANTY

Definitions:

The Distributor* of Insignia branded products warrants to you, the original purchaser of this new Insignia-branded product ("Product"), that the Product shall be free of defects in the original manufacturer of the material or workmanship for a period of one (1) year from the date of your purchase of the Product ("Warranty Period").

For this warranty to apply, your Product must be purchased in the United States or Canada from a Best Buy branded retail store or online at www.bestbuy.com or www.bestbuy.ca and is packaged with this warranty statement.

How long does the coverage last?

The Warranty Period lasts for 1 year (365 days) from the date you purchased the Product. Your purchase date is printed on the receipt you received with the Product.

What does this warranty cover?

During the Warranty Period, if the original manufacture of the material or workmanship of the Product is determined to be defective by an authorized Insignia repair center or store personnel, Insignia will (at its sole option): (1) repair the Product with new or rebuilt parts; or (2) replace the Product at no charge with new or rebuilt comparable products or parts. Products and parts replaced under this warranty become the property of Insignia and are not returned to you. If service of Products or parts are required after the Warranty Period expires, you must pay all labor and parts charges. This warranty lasts as long as you own your Insignia Product during the Warranty Period. Warranty coverage terminates if you sell or otherwise transfer the Product.

How to obtain warranty service?

If you purchased the Product at a Best Buy retail store location or from a Best Buy online website (www.bestbuy.com or www.bestbuy.ca), please take your original receipt and the Product to any Best Buy store. Make sure that you place the Product in its original packaging or packaging that provides the same amount of protection as the original packaging.

To obtain warranty service, in the United States and Canada call 1-877-467-4289. Call agents may diagnose and correct the issue over the phone.

Where is the warranty valid?

This warranty is valid only in the United States and Canada at Best Buy branded retail stores or websites to the original purchaser of the product in the country where the original purchase was made.

What does the warranty not cover?

This warranty does not cover:

- Food, beverage, and/or medicine loss/spoilage.
- Customer instruction/education
- Installation
- Set up adjustments
- Cosmetic damage
- Damage due to weather, lightning, and other acts of God, such as power surges
- Accidental damage
- Misuse
- Abuse
- Negligence
- Commercial purposes/use, including but not limited to use in a place of business or in communal areas of a multiple dwelling condominium or apartment complex, or otherwise used in a place of other than a private home.
- Modification of any part of the Product, including the antenna
- Display panel damaged by static (non-moving) images applied for lengthy periods (burn-in).
- Damage due to incorrect operation or maintenance

- Connection to an incorrect voltage or power supply
- Attempted repair by any person not authorized by Insignia to service the Product
- Products sold "as is" or "with all faults"
- Consumables, including but not limited to batteries (i.e. AA, AAA, C etc.)
- Products where the factory applied serial number has been altered or removed
- Loss or Theft of this product or any part of the product
- Display panels containing up to three (3) pixel failures (dots that are dark or incorrectly illuminated) grouped in an area smaller than one tenth (1/10) of the display size or up to five (5) pixel failures throughout the display. (Pixel based displays may contain a limited number of pixels that may not function normally.)
- Failures or Damage caused by any contact including but not limited to liquids, gels or pastes.

REPAIR REPLACEMENT AS PROVIDED UNDER THIS WARRANTY IS YOUR EXCLUSIVE REMEDY FOR BREACH OF WARRANTY. INSIGNIA SHALL NOT BE LIABLE FOR ANY INCIDENTAL OR CONSEQUENTIAL DAMAGES FOR THE BREACH OF ANY EXPRESS OR IMPLIED WARRANTY ON THIS PRODUCT, INCLUDING, BUT NOT LIMITED TO, LOST DATA, LOSS OF USE OF YOUR PRODUCT, LOST BUSINESS OR LOST PROFITS. INSIGNIA PRODUCTS MAKES NO OTHER EXPRESS WARRANTIES WITH RESPECT TO THE PRODUCT, ALL EXPRESS AND IMPLIED WARRANTIES FOR THE PRODUCT, INCLUDING BUT NOT LIMITED TO ANY IMPLIED WARRANTIES OF AND CONDITIONS OF MERCHANTABILITY AND FITNESS FOR A PARTICULAR PURPOSE, ARE LIMITED IN DURATION TO THE WARRANTY PERIOD SET FORTH ABOVE AND NO WARRANTIES, WHETHER EXPRESS OR IMPLIED, WILL APPLY AFTER THE WARRANTY PERIOD. SOME STATES, PROVINCES AND JURISDICTIONS DO NOT ALLOW LIMITATIONS ON HOW LONG AN IMPLIED WARRANTY LASTS, SO THE ABOVE LIMITATION MAY NOT APPLY TO YOU. THIS WARRANTY GIVES YOU SPECIFIC LEGAL RIGHTS, AND YOU MAY ALSO HAVE OTHER RIGHTS, WHICH VARY FROM STATE TO STATE OR PROVINCE TO PROVINCE.

Contact Insignia:

1-877-467-4289

www.insigniaproducts.com

INSIGNIA is a trademark of Best Buy and its affiliated companies.

*Distributed by Best Buy Purchasing, LLC

7601 Penn Ave South, Richfield, MN 55423 U.S.A

©2022 Best Buy. All rights reserved.

INSIGNIA™

www.insigniaproducts.com
1-877-467-4289 (U.S. and Canada)

INSIGNIA is a trademark of Best Buy and its affiliated companies.
Distributed by Best Buy Purchasing, LLC
7601 Penn Ave South, Richfield, MN 55423 U.S.A
©2022 Best Buy. All rights reserved.

V3 ENGLISH
22-0886