

Ozeri®

---

# 360 Tower Fan

---

Model No: OZF5



The images in this manual are for illustration purposes only and may vary slightly from actual product.

## Important Safety Instructions

Thank you for purchasing the Ozeri 360 Tower Fan. This product has passed extensive quality assurance tests for residential use. Every care has been taken to ensure that it reaches you in perfect condition.

**Warning:** When using electric appliances, basic safety precautions should be followed to reduce the risk of fire, electric shock and personal injury, including (but not limited to) the following:

**Read all these instructions before attempting to operate this product and save these instructions for future reference:**

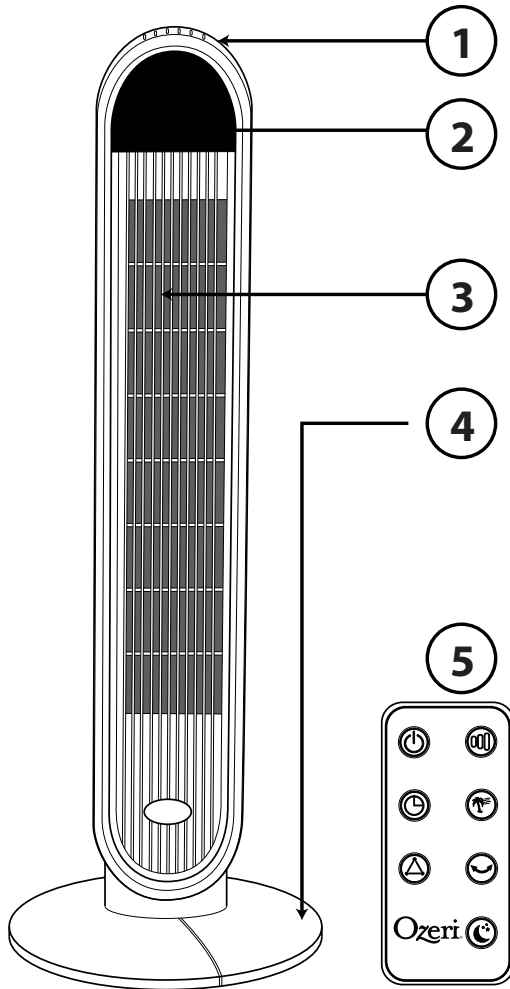
- THIS APPLIANCE HAS A POLARIZED PLUG (ONE BLADE IS WIDER THAN THE OTHER). TO REDUCE THE RISK OF ELECTRICAL SHOCK, THIS PLUG IS INTENDED TO FIT IN A POLARIZED OUTLET ONLY ONE WAY. MATCH THE WIDE BLADE OF THE PLUG TO THE WIDE SLOT OF THE OUTLET. FULLY INSERT. IF THE PLUG DOES NOT FIT FULLY IN THE OUTLET, REVERSE THE PLUG. IF IT STILL DOES NOT FIT, CONTACT A QUALIFIED ELECTRICIAN. DO NOT ATTEMPT TO BYPASS THIS SAFETY FEATURE.
- A loose fit between the AC outlet (receptacle) and plug may cause overheating and a distortion of the plug. Contact a qualified electrician to replace loose or worn outlet.
- Use this fan only as described in this manual. Other use not recommended as it may cause fire, electric shock or injury to persons.
- Check the voltage indicated on the rating plate. This fan is designed for a 120V-60Hz electric supply. Make certain the power source conforms to these electric requirements. Make sure the room where this fan will be used has a working smoke detector.
- Do not use an electrical extension cord with this fan. Do not plug the fan into a power strip. The use of such devices may create electric and/or fire hazards.
- Do not force your fingers through the front of the case. Do not allow any foreign objects through the front of the case.
- Close supervision is necessary when any appliance is used by or near children. This product is not a toy. Do not allow children to tamper with the fan.
- Be careful not to allow hair, curtains, tablecloth, clothes or other nearby objects block the airways of the fan or to enter the openings of the fan. This can cause damage and/or injuries.
- Do not operate the fan with a damaged cord or plug or if the product malfunctions, is dropped or damaged in any manner. Periodically check the electric cable of this fan.
- Do not operate if the fan housing is damaged.

- If the electric cable is damaged, it must be replaced by the manufacturer, its after-sales service or by a similar qualified person in order to avoid danger.
- This product is intended for household use ONLY and not for commercial, industrial or outdoor use. Do not use this fan with any solid state speed control devices.
- Avoid contact with moving fan parts.
- Do not use this fan in a damp area such as a bathroom. Place the fan on a dry level surface.
- Do not use this fan on a window, ledge, or on any unstable platform. The fan should only be used standing on its base. Never lay the fan on its side.
- To protect against electric shock, do not place fan in window, immerse unit, plug or cord in water or spray with liquids. This may create an electric hazard.
- Do not place the electrical cord under any objects, such as carpets, throw rugs or runners. Do not place electrical cord in areas of foot traffic where there is a risk of stumbling or tripping over it. Do not place the fan or any parts near an open flame, cooking or other heating appliance.
- Turn the fan OFF and unplug the fan from the outlet when not in use, when moving the fan from one location to another and before cleaning. Before unplugging the fan, first ensure it has been turned off.
- To disconnect the fan, first turn the unit OFF, grip the plug and pull it from the wall outlet. Never pull the plug by the cord.
- Do not operate the fan in an area where gasoline, paint supplies or any flammable liquids or explosive chemicals are used or stored.
- This product employs overload protection (fuse). A blown fuse indicates an overload or short-circuit situation. If the fuse blows, unplug the product from the outlet. Replace the fuse as per the user servicing instructions (follow product marking for proper fuse rating) and check the product. If the replacement fuse blows, a short-circuit may be present and the product should be discarded or returned to an authorized service facility for examination and/or repair.
- Do not operate any fan with a damaged cord or plug. Discard fan or return to an authorized service facility for examination and/or repair. Do not try to repair or disassemble this fan. Doing so will void the warranty and may result in damage and/or personal injury. There are no end-user serviceable parts.
- Do not hang or mount fan on a wall or ceiling.
- Remote control devices for other appliances may interfere with this fan and vice-versa. If this occurs, move the fan to another location.
- The use of attachments not recommended by the manufacturer may be hazardous.
- Always store the remote control inside the fan's remote control compartment.
- This fan is not suitable for use in agricultural facilities and hazardous locations. This fan does not meet the requirements of NEC Article 547-7 and 500 (2002).

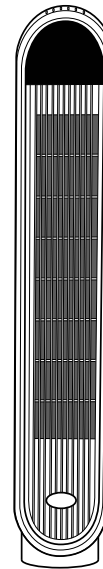
## Parts of the Fan

1. Remote Control Compartment with Control Panel
2. LED Display

3. Grille
4. Base
5. Remote Control



[01]x1



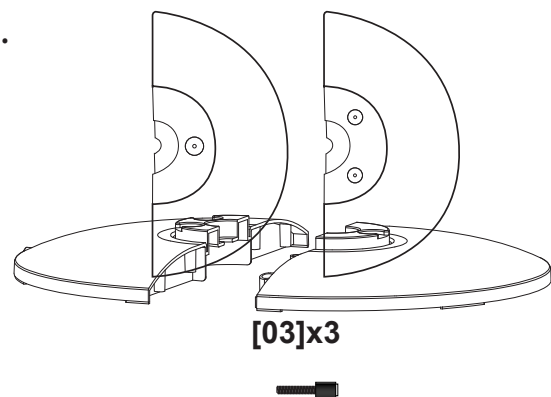
## Assembly Instructions

Check contents – keep packaging and user instructions for future reference.

### STEP 1:

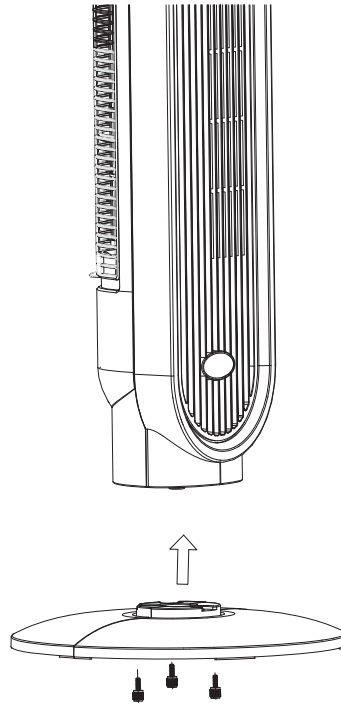
Assemble the base by aligning the two half circle pieces together.

[02]x2



## STEP 2:

Hold the base upright (the side with a smooth surface) and thread the power cord through the center hole. Bring it up to meet the fan and ensure that the screw holes on both are aligned. Secure together with the 3 screws provided.



## COMPLETED FAN




**CAUTION:** THIS FAN MUST OPERATE IN THE UPRIGHT POSITION ONLY. DO NOT LAY FAN ON ITS SIDE OR IN ANY OTHER POSITION. DOING SO MAY CAUSE DAMAGE TO THE FAN AND/OR PERSONAL PROPERTY. DO NOT USE THIS FAN WITHOUT ITS BASE.

## Operating Instructions

1. Remove the cable tie and unravel the cord set before operation.
2. DO NOT use outdoors.
3. Plug fan into a 120v, 60Hz outlet.

**The control panel and the remote of this fan are equipped with an LED display and functions (Power, Speed, Airflow Mode, Timer, Auto Thermostat, Oscillation Angle, and LED Dimmer. For your convenience, the buttons on the remote are designed to function in the same way as the keys on the fan's control panel. The LED display has lights that illuminate to indicate the fan's active functions.**

**On/Off:**  Press this button to power the fan ON. When the fan is ON, the power light on the LED display will be illuminated. Once the fan is ON, you may proceed to set the following functions. To power OFF, press this button again.



## REMOTE CONTROL

**Speed:** Choose from 3 comfort settings (HIGH, MED, LOW) by pressing this button until the speed you want is indicated on the LED display.

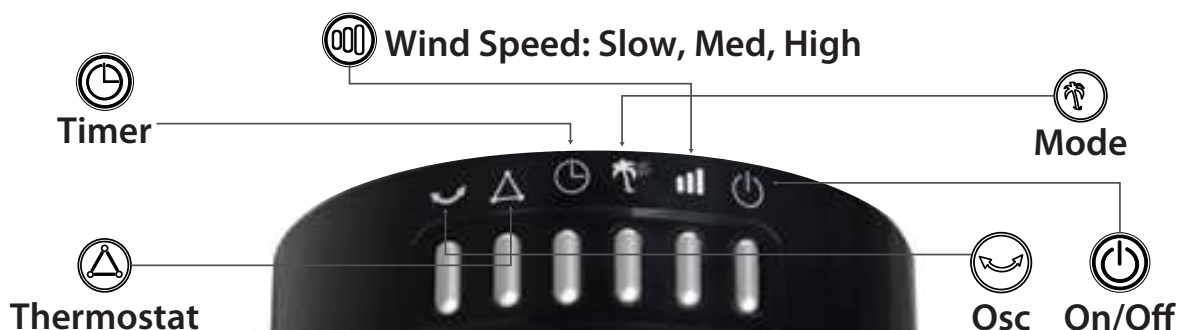
**Timer:** This button sets the duration of operation before the fan automatically turns OFF. Pressing this button will increase the time of operation in 30 minutes increments to a maximum of 8 hours. The time selected will be displayed on the LED screen.

**Mode:** Choose from 3 different breeze patterns (Normal, Nature, Sleep) by pressing this button until the type of breeze desired is indicated on the LED display.

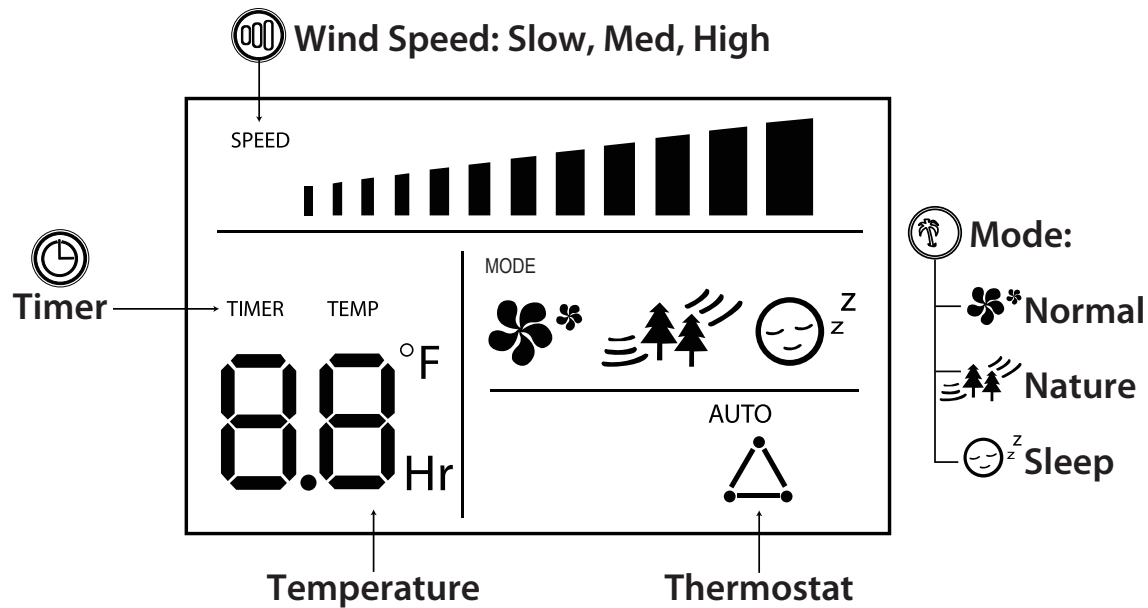
**Osc:** Activates oscillation at 60, 90, 120, or 360 degrees for partial to complete air circulation. The LED display on the fan will illuminate to indicate the oscillation selected.

**Thermostat:** When engaged the fan will select the proper speed setting to achieved the target room temperature, and automatically turn on or off based on the target room temperature chosen.

**Night Mode Display:** This fans offers a night mode feature whereby all icons on the LED screen are dimmed except for the mode icon. To activate the night mode feature, press the dimming button on the remote control. Alternatively press and hold the Mode button on the fan's control panel for 3 seconds. To deactivate, press any button briefly and the screen will awake to its full display.



## Color LED Display



**Note:** For fans purchased in the USA, the LED screen will display the room temperature in Fahrenheit.

### Guidelines for user servicing

1. Grasp plug and remove from the receptacle or other outlet device. Do not unplug by pulling on cord
2. Open fuse cover. Slide open fuse access cover on top of attachment plug towards blades or Push on tabs located next to the blades
3. Remove fuse carefully.
4. Risk of fire. Replace fuse only with 2.5 Amp, 125 Volt fuse.
5. Close fuse cover. Slide closed the fuse access cover on top of attachment plug, or Push cover closed so that all tabs latch
6. Risk of fire. Do not replace attachment plug. Contains a safety device (fuse) that should not be removed. Discard product if the attachment plug is damaged.

### **Guidelines for using the remote control**

- The remote control must be pointed towards the receiver on the fan in order to work.
- The remote control may not operate in a room where a heavy machine is operating.
- Do not block the line of sight between the remote control and the receiver.
- Handle the remote control with care. Do not drop the remote control on the floor or bang it against hard objects.

### **Guidelines for use of batteries**

- If the remote control will not be used for a long period of time, remove the battery from the battery compartment.
- The remote control uses one CR2032 Lithium battery.
- Clean the battery contacts and also those of the device prior to battery installation.
- Ensure that the battery is installed correctly with regard to polarity, matching +/- sides of the battery to corresponding indications on the remote control.
- Remove used and dead/discharged battery promptly.

### **Fan Specifications**

- Model Number: OZF5
- Voltage: 120V / 60Hz
- Wattage: 45 Watt
- Oscillation Angle: 60, 90, 120, 360
- Weight: 4.1 kg (9 lbs)
- Fan Plug Fuse Type: 2.5 Amp, 125 Volt
- Height: 38"



**CAUTION: THIS FAN HAS A POLARIZED PLUG (ONE BLADE IS WIDER THAN THE OTHER). TO REDUCE THE RISK OF ELECTRICAL SHOCK, THIS PLUG IS INTENDED TO FIT IN A POLARIZED OUTLET ONLY ONE WAY. MATCH THE WIDE BLADE OF THE PLUG TO THE WIDE SLOT OF THE OUTLET. FULLY INSERT. IF THE PLUG DOES NOT FIT FULLY IN THE OUTLET, REVERSE THE PLUG. IF IT STILL DOES NOT FIT, CONTACT A QUALIFIED ELECTRICIAN. DO NOT ATTEMPT TO BYPASS THIS SAFETY FEATURE.**

**NOTE: THIS FAN IS EQUIPPED WITH A FUSE. ALWAYS UNPLUG THE FAN BEFORE REPLACING FUSES. IF THIS FAN LOSES POWER AND YOU SUSPECT THE FUSE IN THE PLUG HAS BLOWN, UNPLUG THE FAN, THEN SLIDE THE FUSE DOOR FOUND ON THE SIDE OF THE PLUG TO THE OPEN POSITION. SLIDE THE FUSE DOOR OUTWARD UNTIL THE BLOWN FUSE IS FULLY VISIBLE. REMOVE THE BLOWN FUSE AND SNAP THE REPLACEMENT FUSE INTO PLACE. FULLY CLOSE THE FUSE DOOR. ONLY REPLACE WITH A FUSE RATED AT 2.5 AMPS, 125 VOLTS.**

Fig.1



Fig.2



Fig.3



## **Cleaning Instructions**

1. Always unplug the fan before cleaning. Always disconnect the cord from the electrical outlet before cleaning your fan.
2. To clean between the grilles that covers the air intake. We recommend using a pipe cleaner, flexible dustwand, vacuum cleaner or compressed air to gently remove the dust. Dust may be removed by using a vacuum cleaner along the back of the fan where the plastic grille Use only a soft, damp cloth to gently wipe the outer surfaces of the fan clean and dry thoroughly with a soft dry cloth before operating the fan.
3. Do not use harsh cleaners or materials to clean this unit, doing so will cause damage.
4. DO NOT immerse the fan in water and never allow water to drip into the motor housing.
5. DO NOT use gasoline, paint thinner or other chemicals to clean the fan.

**CAUTION: DO NOT ALLOW WATER TO RUN INTO THE INTERIOR OF THE FAN AS THIS COULD CREATE A FIRE OR ELECTRIC SHOCK HAZARD. THE FAN MOTOR IS FACTORY LUBRICATED FOR LIFE AND WILL REQUIRE NO FURTHER LUBRICATION. NO OTHER USER MAINTENANCE IS REQUIRED OR RECOMMENDED. IF SERVICE IS REQUIRED, SEND YOUR FAN TO THE NEAREST AUTHORIZED SERVICE CENTER.**

## **To Store**

1. Follow cleaning instructions 1-4 above.
2. Retain the original packaging to store your fan.
3. Always store in a cool and dry place.
4. Never store while still plugged in.
5. Never wrap cord tightly around the fan or put any stress on the cord where it enters the fan as it could cause the cord to fray or break.
6. The fan may be stored assembled and covered to protect it from dust.

## **FCC WARNING**

Changes or modifications to this unit not expressly approved by the party responsible for compliance could void the user's authority to operate the equipment.

**NOTE :** This equipment has been tested and found to comply with the limits for a Class B digital device, pursuant to Part 15 of the FCC Rules. These limits are designed to provide reasonable protection against harmful interference in a residential installation. This equipment generates, uses and can radiate radio frequency energy and, if not installed and used in accordance with the instructions, may cause harmful interference to radio communications.

However, there is no guarantee that interference will not occur in a particular installation. If this equipment does cause harmful interference to radio or television reception, which can be determined by turning the equipment off and on, the user is encouraged to try to correct the interference by one or more of the following measures:

- Reorient or relocate the receiving antenna.
- Increase the separation between the equipment and receiver.
- Connect the equipment into an outlet on a circuit different from that to which the receiver is connected.
- Consult the dealer or an experienced radio/TV technician for help

## **WARNING!**

**DO NOT ATTEMPT TO OPEN OR REPAIR THE FAN YOURSELF.  
DOING SO COULD VOID THE WARRANTY AND CAUSE  
DAMAGE OR PERSONAL INJURY**

## Troubleshooting

If your fan fails to operate, please follow these procedures prior to contacting customer service:

<b>PROBLEM</b>	<b>PROBABLE CAUSE</b>	<b>SOLUTION</b>
Fan is not turning on.	<ul style="list-style-type: none"><li>A. Fan is not plugged into a 120V AC, 60Hz polarized outlet/receptacle.</li><li>B. Breaker/fuse has been tripped.</li><li>C. Fuse inside plug of fan is blown.</li></ul>	<ul style="list-style-type: none"><li>A. Ensure unit is in the OFF position. Plug in unit and attempt to turn on again.</li><li>B. Please check your electrical box to confirm the breaker has not been "tripped". Ensure unit is in OFF position. Plug in unit and attempt to turn on again. Attempt to plug unit in another receptacle in the house</li><li>C. First unplug fan from outlet, then replace fuse by following fuse replacement instructions in this manual.</li></ul>
Fan is on but air coming out of it is not strong enough.	There is dust build up at the back of the fan.	Turn fan OFF and unplug. Using a crevice tool attachment, vacuum over the grilles located at the back of the fan to remove dust build-up. Plug in unit and turn fan back ON to resume normal operation.

## WARRANTY INFORMATION

Your Ozeri Fan is warranted to the original owner for 1 year from the date of purchase against defects in material and workmanship under normal use and service. Should your Ozeri Fan prove defective within 1 year from the date of purchase, return the defective product, freight prepaid along with an explanation of the claim to "Ozeri." Please pack your Ozeri Fan carefully to avoid damages in transit. Under this warranty, Ozeri will repair or replace any parts found to be defective due to a manufacturer's defect. This warranty extends only to personal use and does not extend to any product that has been used for commercial use, rental use, or use which is not intended. There are no warranties other than that expressly set forth herein. This warranty is not transferable. Ozeri is not responsible in any way for damages, losses or inconveniences caused by equipment failure or by user negligence, abuse, or use not in accordance with the "User Guide" or any additional safety, use, or warnings included in the product materials. Further, Ozeri is not liable for incidental or consequential damages of any nature resulting from the use of this product and any liability shall not exceed the purchase price of the product.

This Warranty gives you specific legal rights. You may also have other rights which vary from state to state.

### THIS WARRANTY DOES NOT APPLY TO THE FOLLOWING

- Damage due to accident, misuse, abuse, alterations or vandalism.
- Improper or inadequate maintenance.
- Unauthorized modification or commercial use.
- Damage in return transit
- Unsupervised use by children

### **Ozeri Customer Service:**

**Phone: 1-877-299-1296**

**Email: [support@ozeri.com](mailto:support@ozeri.com)**

(Ozeri™ and its subsidiaries assume no liability for damage caused by the use of the Ozeri Ultra Fan other than for its intended use or as instructed above and in the User Manual.)