

ROCCAT
SYN PRO AIR



QUICK START GUIDE
GUIDE DE DÉMARRAGE RAPIDE

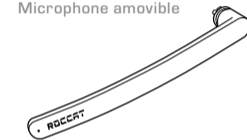
PACKAGE CONTAINS CONTENU DE LA BOÎTE



USB Charging Cable
Câble de chargement USB



USB-A Transmitter
Transmetteur USB-A



Removable Microphone
Microphone amovible



USB-C Adapter
Adaptateur USB-C



Syn™ Pro Air Gaming Headset
Casque de jeu Syn™ Pro Air

HEADSET CONTROLS COMMANDES SUR CASQUE

Volume Control

Réglage du volume

Power On/Off

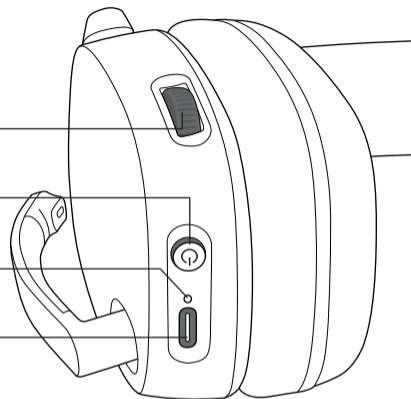
Allumer/éteindre

LED Indicator

Indicateur lumineux

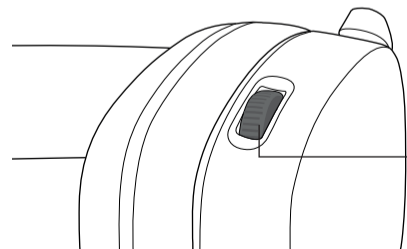
USB Charge & Update Port

Port USB pour le chargement et la mise à jour

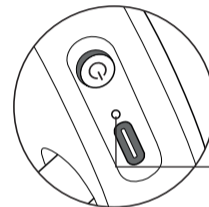


Variable Mic Monitoring

Réglage du retour microphone



LED INDICATIONS INDICATIONS LUMINEUSES



Connection Status LED

Solid White = Headset Connected
Double Blink White = Headset Pairing
Pulsing White = Headset On/Full Battery
Solid Red = Headset Charging
Pulsing Red = Low Battery
LED OFF* = Headset Off

* When the headset is off and charging, the Solid Red LED will turn off when the battery is full



Connection Status LED

Solid White = Headset Connected
Double Blink White = Headset Pairing
Pulsing Red = Microphone Muted

Indicateur d'état

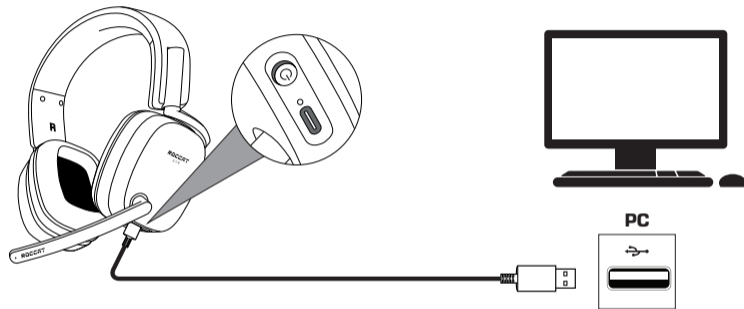
Blanc fixe = Casque connecté
Blanc clignotant = Appairage du casque
Blanc respirant = Casque allumé/Batterie pleine
Rouge fixe = Chargement du casque
Rouge respirant = Batterie faible
Pas de lumière* = Casque éteint

* Lorsque le casque est éteint et branché, la LED de couleur rouge fixe s'éteindra lorsque la batterie est pleine.

Indicateur d'état

Blanc fixe = Casque connecté
Blanc clignotant = Appairage du casque
Rouge respirant = Microphone muet

CHARGING | CHARGEMENT



The Syn™ Pro Air uses a 24+ hour rechargeable battery. Make sure to charge it regularly.

Headset Storage

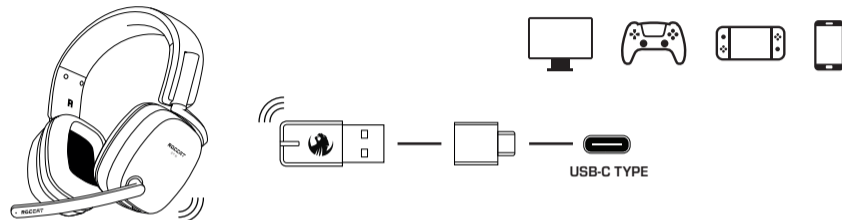
Always charge your headset before storing it for any extended period of time (greater than 3 months). Never store the unit in temperatures above 113°F/45°C.

Le Syn™ Pro Air dispose d'une batterie rechargeable d'une autonomie de 24 heures. Assurez-vous de la charger régulièrement.

Rangement du casque:

Toujours charger votre casque avant de le ranger pour une longue durée (plus de 3 mois). Ne stockez jamais le casque à des températures supérieures à 45°C.

USB-C COMPATIBILITY | COMPATIBILITÉ USB-C



The Syn™ Pro Air also works great with other platforms with USB-C ports, including the PS5™, Nintendo Switch™, and Android™.

1. Connect your Syn™ Pro Air Transmitter to the included USB-C adapter
2. Plug the combined Transmitter and USB-C adapter piece into a USB-C slot in your device
3. Hold the Power Button on the headset for 2 seconds to turn it on
4. In your device's settings, make sure the Syn™ Pro Air is selected on your device

When connecting the transmitter to a PS5™ or PS4™, master volume must be adjusted from the Settings Menu.

**Software capabilities are only available on PC.*

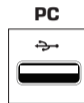
Le Syn™ Pro Air fonctionne également avec d'autres plateformes disposant de ports USB-C, y compris la PS5™, la Nintendo Switch™ et les appareils Android™.

1. Connectez l'émetteur du Syn™ Pro Air à l'adaptateur USB-C inclus.
2. Branchez l'émetteur et l'adaptateur USB-C combinés dans un port USB-C de votre appareil.
3. Appuyez sur le bouton d'alimentation du casque pendant 2 secondes pour l'allumer.
4. Dans les paramètres de votre appareil, vérifiez que le Syn™ Pro Air est bien sélectionné.

Lorsque vous connectez l'émetteur à une PS5™ ou une PS4™, vous devez aller dans le menu des paramètres pour régler le volume principal.

**Les fonctionnalités du logiciel ne sont disponibles que sur PC.*

PC SETUP | CONFIGURATION POUR PC



EN

1. Plug the Syn™ Pro Air Transmitter in a USB slot on your PC
2. Hold the Power Button for 2 seconds to turn on the headset (the transmitter and headset are automatically paired)
3. Right click the speaker icon in your toolbar and select "Open Sound Settings"
4. Select "Syn™ Pro Air" from the "Choose Your Output Device" drop-down menu
5. Open the driver software to customize your settings

DE

1. Schließe den Sender des Syn™ Pro Air an einen USB-Port deines PC's an
2. Halte den Einschaltknopf an deinem Headset für 2 Sekunden gedrückt (Sender und Headset werden automatisch gekoppelt)
3. Klicke mit rechts auf das Lautsprechersymbol in deiner Symbolleiste und öffne die Soundeinstellungen
4. Wähle bei „Ausgabegerät auswählen“ im Dropdownmenü das "Syn™ Pro Air" aus
5. Öffne die Treiber-Software, um deine Einstellungen anzupassen

FR

1. Branchez l'émetteur du Syn™ Pro Air dans un port USB de votre PC
2. Maintenez le bouton d'alimentation appuyé pendant 2 secondes pour allumer le casque (l'émetteur et le casque sont appariés automatiquement)
3. Faites un clic droit sur l'icône en forme de haut-parleur dans votre barre d'outils et cliquez sur 'Ouvrir les paramètres de son'
4. Sélectionnez le Syn™ Pro Air dans le menu déroulant 'Choisir votre périphérique de sortie'
5. Ouvrez le logiciel de pilotes pour personnaliser vos options

IT

1. Collega il trasmettitore delle Syn™ Pro Air a una porta USB del tuo PC
2. Tieni premuto il pulsante di alimentazione per 2 secondi per accendere le cuffie (il trasmettitore e le cuffie vengono associati automaticamente)
3. Fai clic con il pulsante destro del mouse sull'icona dell'altoparlante nella barra degli strumenti e seleziona "Apri impostazioni audio"
4. Seleziona "Syn™ Pro Air" dal menu a discesa "Scegli dispositivo di output"
5. Avvia il software dei driver per personalizzare le tue impostazioni

ES

1. Enchufa el transmisor Syn™ Pro Air en una ranura USB de tu PC
2. Mantén pulsado el botón de encendido durante 2 segundos para encender los auriculares (el transmisor y los auriculares se emparejan automáticamente)
3. Haz clic con el botón derecho en el icono de altavoz de tu barra de herramientas y selecciona "Abrir configuración de sonido"
4. En el menú desplegable "Elige el dispositivo de salida", selecciona "Syn™ Pro Air"
5. Abre el software de controlador para personalizar la configuración

SE

1. Anslut Syn™ Pro Air Transmitter till en USB-port på din dator
2. Håll in strömknappen i 2 sekunder för att slå på headsetet (sändaren och headsetet parkopplas då automatiskt)
3. Högerklicka på högtalarikonen i verktygsfältet och välj Öppna Ljudinställningar
4. Välj "Syn™ Pro Air" från menyn Välj utdataenhet
5. Öppna drivrutinsprogramvaran för att anpassa dina inställningar



Customize your ROCCAT® product and keep it up to date
with the latest software and firmware

Download now for Windows® 10 & Windows® 11 at:
WWW.ROCCAT.COM/DOWNLOADS

TECHNICAL FACTS

TECH SPECS

- Direct wireless connection via USB-A transmitter
- 20Hz - 20kHz speaker frequency response
- 50mm speakers with neodymium magnets
- Audio controls: master volume wheel, variable mic monitoring, and mic mute
- Removable + flip-up unidirectional microphone
- Athletic fabric on headband and ear cushions
- Over-ear design featuring memory foam
- Weight: 286g (without microphone)

SYSTEM REQUIREMENTS

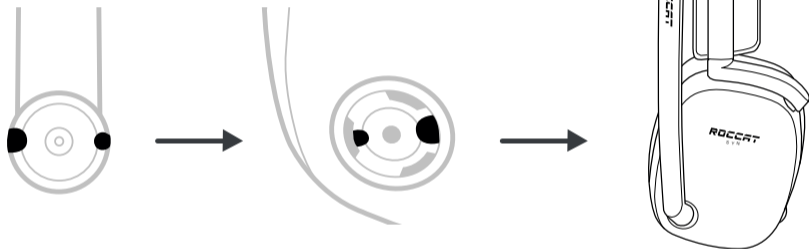
- Windows® 10 & Windows® 11 (software support)
- USB 2.0 (or higher)
- Internet connection

Should you need assistance ...

Our support team is ready to help you with any technical questions.
Just send an e-mail to support@roccat.com or visit our website at:

WWW.ROCCAT.COM/SUPPORT

MICROPHONE ATTACHMENT FIXATION DU MICROPHONE



1. Remove the Microphone Cover from the left ear cup
2. Align the Removable Microphone with the microphone slot on the left ear cup
3. Press firmly until the Removable Microphone clicks into the microphone slot

1. Retirez le capuchon de microphone situé sur l'écouteur gauche.
2. Alignez le microphone amovible à la fente dédiée au microphone sur l'écouteur gauche.
3. Appuyez fermement jusqu'à ce que le microphone amovible s'enclenche dans la fente dédiée au microphone.

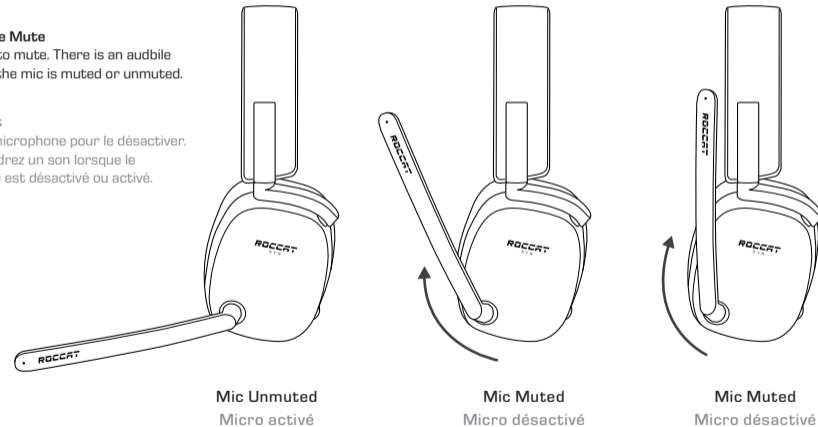
MICROPHONE FLIP-TO-MUTE OPERATION FONCTIONNEMENT DU MICROPHONE CONCERNANT LA MISE EN SOURDINE

Microphone Mute

Flip up mic to mute. There is an audible tone when the mic is muted or unmuted.

Mode muet

Relevez le microphone pour le désactiver. Vous entendrez un son lorsque le microphone est désactivé ou activé.



REGULATORY COMPLIANCE STATEMENTS FOR THE SYN PRO AIR RX & TX

LOCAL RESTRICTIONS ON RADIO USAGE

Caution: Due to the fact that the frequencies used by wireless devices may not yet be harmonized in all countries, these radio products are designed for use only in specific countries, and are not allowed to be operated in countries other than those of designated use. As a user of these products, you are responsible for ensuring that the products are used only in the countries for which they were intended and for verifying that they are configured with the correct selection of frequency and channel for the country of use. Any deviation from the permissible power and frequency settings for the country of use is an infringement of national law and may be punished as such.

To determine whether you are allowed to use your wireless network device in a specific country, please check to see if the radio type number that is printed on the identification label of your device is listed in the manufacturer's OEM Regulatory Guidance document at the following URL <http://www.turtlebeach.com/homologation> or contact Turtle Beach directly.

FEDERAL COMMUNICATIONS COMMISSION (FCC) COMPLIANCE NOTICES

This section includes the following FCC statements for the Syn Pro Air:

- FCC IDs: XGB-15150 & XGB-15153
- Class B Interference Statement
- RF Radiation Exposure & Hazard Warning
- Non-Modification Statement

CLASS B INTERFERENCE STATEMENT

This equipment has been tested and found to comply with the limits for a Class B digital device, pursuant to Part 15 of the FCC Rules. These limits are designed to provide reasonable protection against harmful interference in a residential installation. This equipment generates, uses, and can radiate radio frequency energy and, if not installed and used in accordance with the instructions, may cause harmful interference to radio communications. However, there is no guarantee that interference will not occur in a particular installation. If this equipment does cause harmful interference to radio or television reception, which can be determined by turning the equipment off and on, the user is encouraged to try to correct the interference by one or more of the following measures:

- Reorient or relocate the receiving antenna.
- Increase the separation between the equipment and receiver.
- Connect the equipment into an outlet on a circuit different from that to which the receiver is connected.
- Consult the dealer or an experienced radio/TV technician for help.

FCC CAUTION:

This device complies with Part 15 of the FCC Rules. Operation is subject to the following two conditions: (1) This device may not cause harmful interference, and (2) this device must accept any interference received, including interference that may cause undesired operation.

RF RADIATION EXPOSURE & HAZARD STATEMENT

To ensure compliance with FCC RF exposure requirements, this device must be installed in a location such that the antenna of the device will be greater than 2 cm (0.8 in.) from all persons. Using higher gain antennas and types of antennas not covered under the FCC certification of this product is not allowed. Installers of the radio and end users of the product must adhere to the installation instructions provided in this manual. This transmitter must not be co-located or operated in conjunction with any other antenna or transmitter.

NON-MODIFICATION STATEMENT

Use only the supplied internal antenna. Unauthorized antennas, modifications, or attachments could damage the Syn Pro Air RX & TX Models and violate FCC regulations. Any changes or modifications not expressly approved by the party responsible for compliance could void the user's authority to operate this equipment. Please contact Turtle Beach for a list of approved 2.4 GHz antennas.

This product is compliant with the Consumer Product Safety Improvement Act of 2008, Public Law 110-314 (CPSIA)

CANADIAN ICES STATEMENTS

IC: IC: 3879A-15150 and 3879A-15153

This device complies with ICES-003 and RSS-247 of Industry Canada.

Operation is subject to the following two conditions:

1. This device may not cause interference, and
2. This device must accept any interference, including interference that may cause undesired operation of the device.

Ce dispositif est conforme aux normes NMB003 et CNR-247 d'Industrie Canada.

1. L'utilisation de ce dispositif est autorisée seulement aux conditions suivantes :

2. Il ne doit pas produire de brouillage et l'utilisateur du dispositif doit être prêt à accepter tout brouillage radioélectrique reçu, même si ce brouillage est susceptible de compromettre le fonctionnement du dispositif.

This equipment complies with Industry Canada radiation exposure limits set forth for an uncontrolled environment.

Cet équipement est conforme à l'exposition aux rayonnements Industry Canada limites établies pour un environnement non contrôlé.

To prevent radio interference to the licensed service (i.e. co-channel Mobile Satellite systems) this device is intended to be operated indoors and away from windows to provide maximum shielding. Equipment (or its transmit antenna) that is installed outdoors is subject to licensing and not supported by Syn Pro Air RX & TX Models.

Pour éviter les interférences radio au service agréé (c.-à-d. Les systèmes par satellite mobile co-canal), cet appareil est destiné à fonctionner à l'intérieur et à l'extérieur des fenêtres pour assurer un blindage maximal. L'équipement (ou son antenne d'émission) installé à l'extérieur est soumis à l'octroi de licences et n'est pas pris en charge par les modèles Syn Pro Air RX et TX.

RF RADIATION EXPOSURE & HAZARD STATEMENT

To ensure compliance with RSS-102 RF exposure requirements, this device must be installed in a location such that the antenna of the device will be greater than 2 cm (0.8 in.) away from all persons. Using higher gain antennas and types of antennas not covered under the IC certification of this product is not allowed. Installers of the radio and end users of the product must adhere to the installation instructions provided in this manual. This transmitter must not be co-located or operated in conjunction with any other antenna or transmitter.

EXPOSITION AUX RADIATIONS RF & MENTION DE DANGER

Pour assurer la conformité avec les exigences RSS-102 d'exposition aux RF (Radio Fréquences), cet appareil doit être installé dans un endroit où l'antenne de l'appareil sera située à une distance de plus de 2 cm (0.8 po) de toutes personnes. L'utilisation d'antennes à gain plus élevé et les types d'antennes qui ne sont pas couverts en vertu de la certification IC de ce produit n'est pas autorisée. Les installateurs de la radio et les utilisateurs du produit final doivent se conformer aux instructions d'installation fournies dans ce manuel. Cet émetteur ne doit pas être co-implanté ou exploité en conjonction avec toute autre antenne ou transmetteur.

EUROPEAN UNION AND EUROPEAN FAIR TRADE ASSOCIATION (EFTA) REGULATORY COMPLIANCE

This equipment may be operated in the countries that comprise the member countries of the European Union and the European Fair Trade Association. These countries, listed below, are referred to as The European Community throughout this document:

AUSTRIA, BELGIUM, BULGARIA, CYPRUS, CZECH REPUBLIC, DENMARK, ESTONIA, FINLAND, FRANCE, GERMANY, GREECE, HUNGARY, IRELAND, ITALY, LATVIA, LITHUANIA, LUXEMBOURG, MALTA, NETHERLANDS, POLAND, PORTUGAL, ROMANIA, SLOVAKIA, SLOVENIA, SPAIN, SWEDEN, UNITED KINGDOM, ICELAND, LICHTENSTEIN, NORWAY, SWITZERLAND

Declaration of Conformity
Marking by this symbol:



indicates compliance with the Essential Requirements of the EMC Directive of the European Union (2014/30/EU). This equipment meets the following conformance standards:

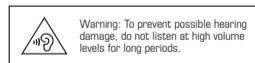
Safety: EN 60950-1:2006 + A11:2009 + A1:2010 + A12:2011 + A2:2013(T-Mark License), IEC 60950-1:2005 (2nd Ed.) + Am 1:2009 + Am 2:2013 (CB Scheme Certificate), EN 62368-1: 2014 + A11 (T-Mark License), IEC 62368-1: 2014 (CB Scheme Certificate), EN 50332-1:2013, EN 50332-2:2013, EN71-3:2013

EMC: EN 55032:2015; CISPR 32:2015, EN 301489-1 V2.1.1(2017-02), EN301489-17 V3.1.1(2016-11) EN 61000-4-2: 2009, EN 61000-4-3: 2006 + A1: 2008 + A2: 2010, EN 61000-4-8: 2010

Radio: EN 300 328v2.1.2 (2019-07)

SAR: EN 62311:2008

Environmental: RoHS 2015/863 amending Annex II to 2011/65/EU, WEEE 2012/19/EU, REACH 2006/1907/EC, Packaging 94/62/EC, Battery 2006/66/EC, Toys Safety Directive 2009/48/EC



Please visit the following URL for a complete copy of the Declaration of Conformity:
<http://www.turtlebeach.com/homologation>

AUDIFONOS INALÁMBRICOS

MARCA: ROCCAT
MODELO: SYN PRO AIR
ALIMENTACIÓN: 3.7 Vcc

IMPORTADO POR:
SOCIEDAD GENERAL DE EVALUACION SGE S.A. DE C.V.
AV LOMAS DE SOTELO 1112 INT. 201 Y 202,
COL. LOMAS HERMOSA, MIGUEL HIDALGO,
CP. 11200, CIUDAD DE MÉXICO,
R.F.C. GES060906CCS

NOM
Hecho en China

To access the rating label: Pour accéder à l'étiquette :

1. Remove the left ear pad by pulling the ear pad straight up using your thumb.
1. Retirez le coussinet gauche en le tirant vers le haut à l'aide de votre pouce.



2. Once you've released the cloth from the lip on top, pull the ear pad straight back and it should slip right off.
2. Une fois le haut du tissu dégagé, tirez le coussinet vers vous pour le retirer facilement.



To replace the ear pad, follow the same process in reverse.
Pour remettre le coussinet en place, veuillez suivre la procédure inverse.

Warning!

This is a Class B product. In a domestic environment, this product may cause radio interference, in which case, the user may be required to take appropriate measures.

Achtung!

Dieses ist ein Gerät der Funkstörgrenzwertklasse B. In Wohnbereichen können bei Betrieb dieses Gerätes Rundfunkstörungen auftreten, in welchen Fällen der Benutzer für entsprechende Gegenmaßnahmen verantwortlich ist.

Attention!

Ceci est un produit de Classe B. Dans un environnement domestique, ce produit risque de créer des interférences radioélectriques, il appartiendra alors à l'utilisateur de prendre les mesures spécifiques appropriées.



This symbol on the product or its packaging indicates that this product must not be disposed of with your other household waste. Instead, it is your responsibility to dispose of your waste equipment by handing it over to a designated collection point for the recycling of waste electrical and electronic equipment. The separate collection and recycling of your waste equipment at the time of disposal will help conserve natural resources and ensure that it is recycled in a manner that protects human health and the environment. For more information about where you can drop off your waste for recycling, please contact your local authority, or where you purchased your product.

Voyetra Turtle Beach Inc. is obligated as a producer with a main activity of selling under The Producer Responsibility Obligations (Packaging Waste) Regulations 2007. To fulfil our obligation we are registered with Comply Direct and their Recycling Room. Here you will find advice and information on packaging waste management, recycling symbols and the waste hierarchy principles of reduce, reuse and recycle.

<https://www.complydirect.com/the-recycling-room/>

Mexican IFT-008 Statement

"La operación de este equipo está sujeta a las siguientes dos condiciones: (1) es posible que este equipo o dispositivo no cause interferencia perjudicial y (2) este equipo o dispositivo debe aceptar cualquier interferencia, incluyendo la que pueda causar su operación no deseada."



R 201-210157

R 201-210156



CMII ID: 2021DJ7762

55-09917

מספר אישור התאמה מטעם משרד התקשורת

חל אישור לבצע פעולות במכשיר שיש בהן כדי לשנות את תכונותיו האלחוטיות של המכשיר, ובכלל זה שינויי תוכנה, החלפת אנטנה מקורית או הוספת אפשרות לחיבור לאנטנה חיצונית, בלא קבלת אישור משרד התקשורת, בשל החשש להפרעות אלחוטיות.

VOYETRA TURTLE BEACH, INC. | 44 SOUTH BROADWAY, 4TH FLOOR, WHITE PLAINS NY 10601, USA

© 2022 Voyetra Turtle Beach, Inc. All rights reserved. Any product names mentioned in this manual may be trademarks or registered trademarks and are the property of their respective owners. Information contained herein is subject to change without notice. Voyetra Turtle Beach, Inc shall not be made liable for any errors that may appear in this manual. This publication or parts of it may not be reproduced without the express consent of the publisher. ROCCAT® is a Turtle Beach Brand

IDO14

426-201-004-005



WWW.ROCCAT.COM