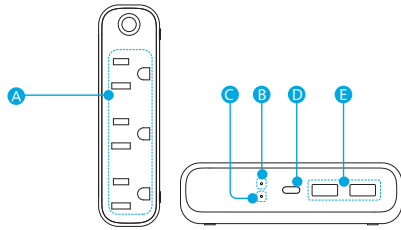




Charge Fast, Live More

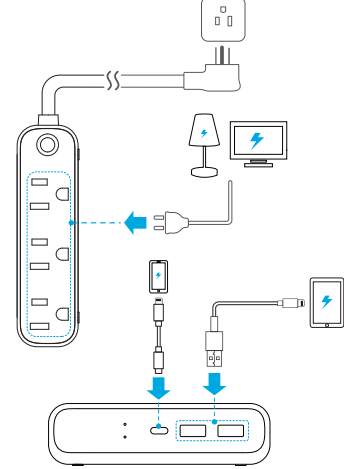
Anker 521 Power Strip

Overview



- A AC Outlet
- B Surge Protection Light
- C Grounded Light
- D USB-C Port
- E USB-A Port

Using Your PowerStrip



Tip: The surge protection feature can protect your computers, smartphones and other electronic equipment against voltage fluctuations, surges, and spikes. If the surge protection light is off, it indicates that surge protection is not functioning normally.

Safety

- Do not connect the power strip to an ungrounded outlet.
- Do not use with extension cords.
- Do not exceed electrical ratings.
- Use in dry locations and indoors only.
- Install the power strip away from heat-emitting appliances such as radiators.
- Keep children away from the power strip.
- If you want to clean the product, only use a dry cloth or brush.
- The product is not intended to be repaired by service personnel in case of failure or component defect (the product can be disposed of).

Specifications

AC Input	125V AC 60Hz 10A
AC Output	125V AC 60Hz 10A 1250W (Total 1250W for socket-outlet)
Surge Energy	300J
USB-A Output	5V=2.4A in total (2.4A Max Per Port)
USB-C Output	5V=3A/9V=3A/15V=2A/20V=1.5A
Size	116 x 50 x 32 mm
Cable Length	5 ft

Note:
The USB Ports support an input voltage of 100-240V 50/60Hz.

For FAQs and more information, please visit:
anker.com/support



@anker_official
@anker_jp



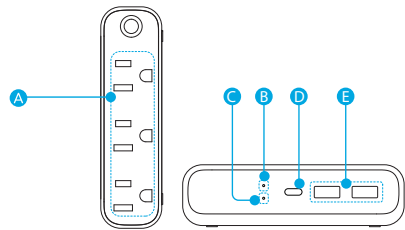
@Anker Deutschland
@Anker Japan
@Anker



@AnkerOfficial
@Anker_JP

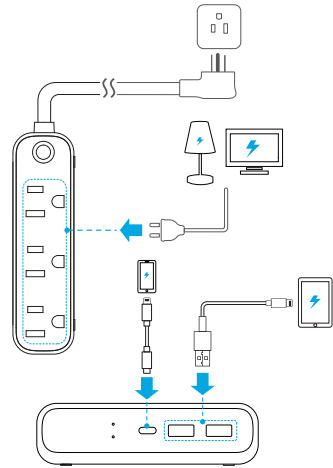
Product Number: A9139 51005003254 V01

Descripción general



- A Toma de CA
- B Luz de protección contra sobretensiones
- C Luz de protección de conexión a tierra
- D Salida USB-C
- E Salida USB-A

Uso de la Power Strip



Consejo: Si la luz de protección contra sobretensiones está apagada, indica que no está funcionando con normalidad.

Seguridad

- No conecte la **Power Strip** a una toma de corriente sin conexión a tierra.
- No la utilice con cables de extensión.
- No exceda las clasificaciones eléctricas.
- Úsela únicamente en lugares secos y en interiores.
- Instale la **Power Strip** lejos de aparatos que emitan calor, como radiadores.
- Mantenga a los niños alejados de la **Power Strip**.
- Si desea limpiar el producto, use solo un paño seco o un cepillo.
- El producto no está diseñado para que lo repare un técnico de servicio en caso de avería o algún desperfecto en sus componentes (el producto se puede desechar).

Especificaciones

Entrada CA	125V AC 60Hz 10A
Salida CA	125V AC 60Hz 10A 1250W (Total 1250W for socket-outlet)
Energía de sobretensión	300J
Salida USB-A	5V=2.4A in total (2.4A Max Per Port)
Salida USB-C	5V=3A/9V=3A/15V=2A/20V=1.5A
Tamaño	116 x 50 x 32 mm
Longitud del cable	5 ft

Nota:
Los puertos USB admiten una tensión de entrada de 100-240 V 50/60 Hz.

FCC Statement

This device complies with Part 15 of the FCC Rules. Operation is subject to the following two conditions: (1) This device may not cause harmful interference, and (2) this device must accept any interference received, including interference that may cause undesired operation.

Warning: Changes or modifications not expressly approved by the party responsible for compliance could void the user's authority to operate the equipment.

Note: This equipment has been tested and found to comply with the limits for a Class B digital device, pursuant to Part 15 of the FCC Rules. These limits are designed to provide reasonable protection against harmful interference in a residential installation.

This equipment generates, uses, and can radiate radio frequency energy and, if not installed and used in accordance with the instructions, may cause harmful interference to radio communications. However, there is no guarantee that interference will not occur in a particular installation. If this equipment does cause harmful interference to radio or television reception, which can be determined by turning the equipment off and on, the user is encouraged to try to correct the interference by one or more of the following measures:

- Reorient or relocate the receiving antenna.
- Increase the separation between the equipment and receiver.
- Connect the equipment into an outlet on a circuit different from that to which the receiver is connected.
- Consult the dealer or an experienced radio / TV

technician for help.

The following importer is the responsible party.
Company Name: Fantasia Trading LLC
Address: 5350 Ontario Mills Pkwy, Suite 100, Ontario, CA 91764
Telephone: +1-800-988-7973

IC Statement

This device complies with Industry Canada license - ICES-003. Operation is subject to the following two conditions: (1) This device may not cause interference, and (2) This device must accept any interference, including interference that may cause undesired operation of the device.

Le présent appareil est conforme aux CNR d'Industrie Canada applicables aux appareils radio exempts de licence. L'exploitation est autorisée aux deux conditions suivantes : (1) l'appareil ne doit pas produire de brouillage, et (2) l'utilisateur de l'appareil doit accepter tout brouillage radioélectrique subi, même si le brouillage est susceptible d'en compromettre le fonctionnement.

Customer Service

ES: Servicio de atención al cliente

18-Month Limited Warranty
ES: Garantía limitada de 18 meses

Lifetime Technical Support
ES: Soporte técnico ilimitado

support@anker.com

+1 (800) 988 7973 Mon - Fri 9:00am - 5:00pm (PT)