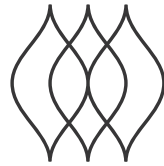


Bowers & Wilkins



FORMATION **BASS**

Welcome to Bowers & Wilkins and Formation Bass.

Thank you for choosing Formation. When John Bowers first established Bowers & Wilkins he did so in the belief that imaginative design, innovative engineering and advanced technology were keys that could unlock the enjoyment of audio in the home. That belief continues to inspire every product we design and in Formation has found its most advanced expression yet.

Formation Bass is a network connected, wireless subwoofer designed to provide extremely high performance low frequency enhancement of Formation Duo, Formation Wedge and Formation Bar speakers. Formation Bass is configured and controlled using the Bowers & Wilkins Home app. The app is available for both iOS and Android devices. It is only possible to install and configure a Formation Bass using the Bowers & Wilkins Home app.

Formation Bass will enable you to:

- Enhance the low frequency performance of Formation Duo, Wedge and Bar speakers.

The Bowers & Wilkins Home app is required to connect your Formation Bass to your home network and also to establish connection with other Formation products in your home. The Bowers & Wilkins Home app also provides some control and configuration functions during use. Before you begin your Formation Bass installation please download and install the Bowers & Wilkins Home app on your iOS or Android device. The Bowers & Wilkins Home app requires iOS V11.4 or later, or Android V8.1 or later. Bluetooth, and WiFi services must be enabled on your iOS or Android device. You will also need to know your WiFi network password.

Note: Location Services must be enabled on Android devices during the Formation setup process. This is because Formation products use a low power form of Bluetooth (BT-LE) for service communication which on Android devices is only switched on when Location Services are enabled. Bowers & Wilkins do not use any location services data for marketing purposes.

1. Formation Bass Carton Contents

Formation Bass
Mains power cable set appropriate for your territory
Document pack

2. Installing Your Formation Bass

Location

Your Formation Bass requires a mains power supply to operate so must be located within reach of a mains socket. If your Formation Bass speaker is to use a wired connection to your home network it will need to be located within reach of an appropriate network (Ethernet) cable.

Your Formation Bass speaker should be placed on the floor in reasonably close proximity to the Formation speaker it is partnered with. In the case of a Formation Wedge or Formation Bar, a subwoofer location directly beneath the speaker, or at least adjacent to a common wall, is likely to produce the best results.

In the case of a Formation Bass partnered with a pair of Formation Duo speakers, the best results are likely to be obtained if the Formation Bass is placed between the Formation Duo speakers or in the vicinity of one of them. Placing a Formation Bass to the side, but still to the front of the listeners, is an acceptable compromise if domestic considerations dictate. The Formation Bass should not be located behind the listening position. Diagram 1 illustrates subwoofer positioning.

Note: Take care when handling your Formation Bass not to damage the driver diaphragms located on each end of its enclosure.

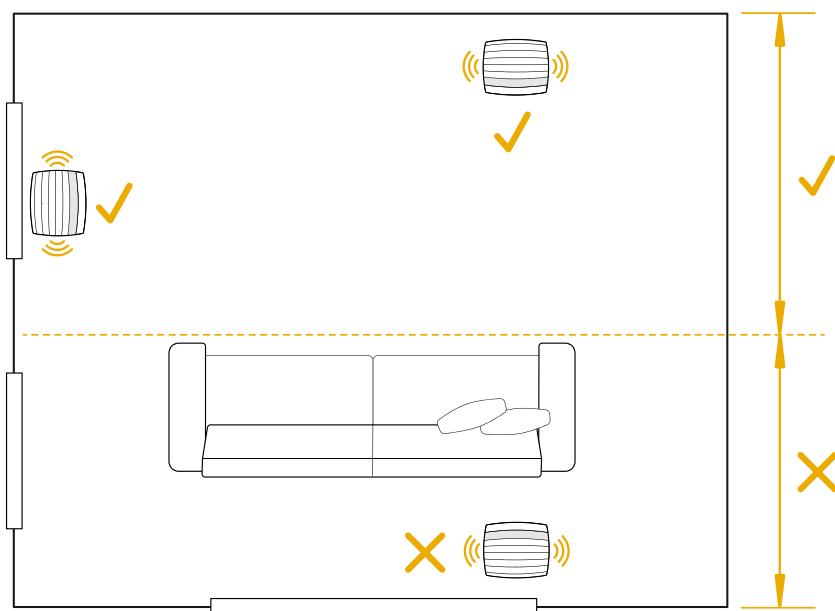
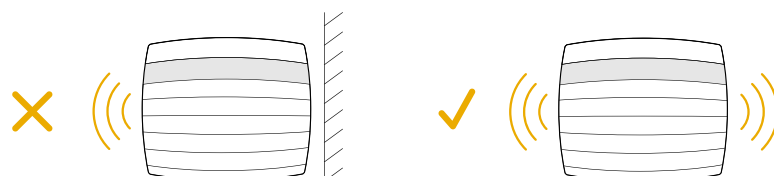


Diagram 1
Positioning

Connections

In addition to a mains power socket **2**, your Formation Bass carries an Ethernet socket **1** for connection to a router should a wired network connection be preferred to wireless (WiFi).

Note: The USB socket located on the Formation Bass rear panel is intended for service and diagnostic use only. It cannot be used for any other purpose.

The Formation Bass has no wired audio connections and will configure itself automatically during the setup process to access network audio streams and to enhance bass appropriately depending on the characteristics of the partnered speaker. When partnered with a Formation Bar, the Formation Bass will automatically switch to reproducing the low frequency effects (LFE) channel of Dolby Surround encoded material.

Switch On and Off

With all connections made, and the Bowers & Wilkins Home app installed on your mobile device, your Formation Bass is ready to be set up. Your Formation Bass has no mains power switch and, following a short start-up routine, will be operational as soon as it is connected to mains power. It will play an audio prompt when its startup routine is complete.

When a Formation Bass that has not been previously used is first switched on it will automatically enter setup mode to enable its connection to your home network and to any other available Formation devices. Setup mode is indicated by a slow amber pulse illumination of the Form touch button **3**. The Formation Bass will also appear in the Bowers & Wilkins Home app as available for set up after selecting 'Add Formation product' from the app Settings page.

Your Formation Bass manages its operational state and power consumption entirely automatically and will switch to a power saving mode after twenty minutes of inactivity. There is no need ever to switch off your Formation Bass, however should you wish to do so, simply disconnected it from mains power. Your Formation Bass will retain its settings without mains power.

You can restart a Formation Bass speaker by a short press and release of the reset button located on its rear panel **3**. Pressing the button will switch the Formation Bass off and on again. All settings will be retained when your Formation Bass restarts. You can also restart your Formation Bass via the Bowers & Wilkins Home app Settings page.

If you wish to reset your Formation Bass to its default settings, press and hold the reset button for five seconds. On restart, your Formation Bass will enter setup mode. All settings will be deleted when your Formation Bass resets. You can also reset your Formation Bass via the Bowers & Wilkins Home app Settings menu.

Network Setup

- With your Formation Bass in setup mode, with its Form button **3** illumination pulsing slowly amber, launch the Bowers & Wilkins Home app on your iOS or Android device. The app will guide you with prompts through the setup process.

Note: Formation Bass employs a Bluetooth connection to the device running the Bowers & Wilkins Home app during the setup process. Bluetooth signals have a relatively short range and can be interrupted by room boundaries, so we recommend that your Formation Bass and Bowers & Wilkins Home app device remain in close proximity during the setup process.

- The Bowers & Wilkins Home app will first search for Formation products in setup mode and display a screen inviting the selection of one. Tap to select your Formation Bass. If you have already set up a Formation product and are adding an additional one, select 'Add Formation product' from the app Settings menu.
- The Bowers & Wilkins Home app will next invite you to name the "space" in which your Formation Bass is to be used. A list of default space names is provided but you can also create your own. When you have selected, or created, a space name, the app will ask you to touch the Form button **3** on the top of your Formation Bass to confirm the selection.

- If a wireless network connection for your Formation Bass is to be used, the next setup stage will connect your Formation Bass to your home WiFi network. The app will ask you to confirm the correct WiFi network and ask you to input its password. Alternatively, if your Formation Bass is connected to your network router using an Ethernet cable, this stage of the setup process will be bypassed.

Note: If you already have other Formation products connected to your WiFi network, Formation Bass setup will not require you to input the WiFi password.

- With WiFi network configuration, and space selection complete, your Formation Bass is ready for use. Your Formation Bass will play an audio prompt to confirm successful set up.

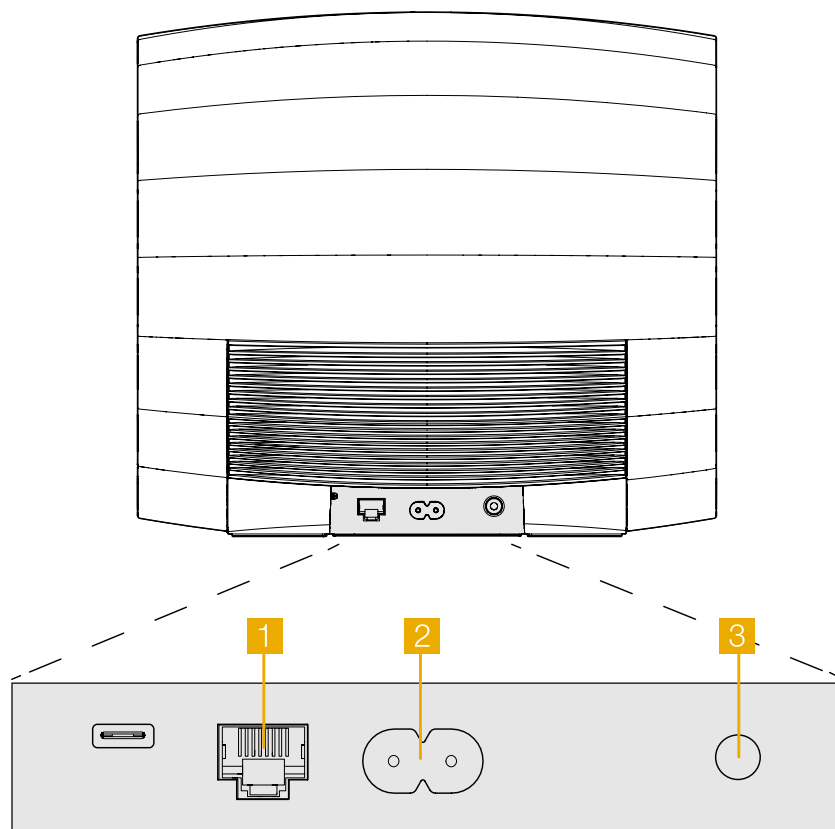


Diagram 2
Formation Bass rear panel

3. Using Your Formation Bass

The Basics

Once installed and configured, your Formation bass will operate entirely automatically. The only adjustment you may need to make is of subwoofer volume relative to the partnered Formation speaker. This will depend on personal preferences and the acoustic character of your listening room. To adjust Formation Bass volume, open the Bowers & Wilkins Formation app and tap on the settings icon to open the Settings menu. Now tap on the 'Formation Bass' to open its settings page and use the volume slider to make adjustments.

Note: Please remember that your Formation Bass subwoofer is capable of low frequency volume levels that have the potential to cause nuisance. If in any doubt, reduce the volume.

Spaces

Spaces are a core concept of the Formation product family. A Formation "space" is a room or a specific area in your home in which you listen to music. Each space can include different combinations of Formation products. The possible configurations are displayed in Diagram 3

Form Button illumination

The Formation Bass Form button illumination changes to indicate a variety of operational states. The illuminations are displayed in Diagram 4.

4. The Bowers & Wilkins Home App

With your Formation Bass configured and connected to your network, the Bowers & Wilkins Home app will open to its Home screen where the Formation Bass space and any other available Formation spaces will be listed.

Tap on a Formation space to select from any available streams or inputs. If there are no streams available, open a streaming app, Spotify for example, and select an item to play, then select the Formation Space from the list of available playback devices. Now, when you return to the Bowers & Wilkins Home app, the Spotify stream will be listed on the Formation Bass space page.

The Bowers & Wilkins Home app Home page has a Settings icon in the top right corner. Tap the icon to open the app Settings menu. The Settings menu provides options to configure and reset your Formation devices and re-name your Formation spaces. App and Formation device firmware updates are also initiated from the Settings menu.

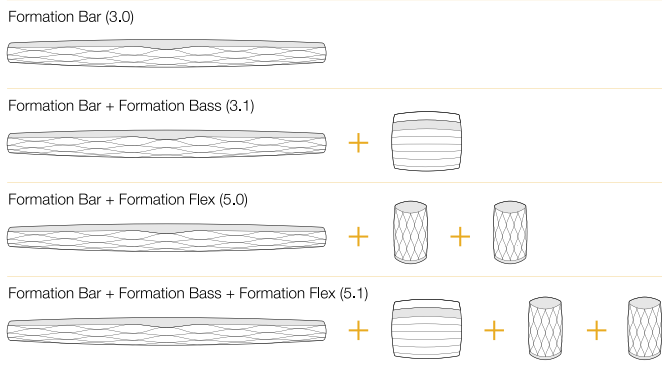
Finding Your Way Around the Bowers & Wilkins Home App

The Bowers & Wilkins Home app will search for available Formation spaces when opened then display its Home page with the spaces listed.

Beneath each space the app will display its current activity. Tapping on an active space will open a "now playing" screen that enables volume and play/pause control.

The 'now playing' screen also provides an 'Available Spaces' option that enables the stream playing in the selected space to be transferred to another space or played in multiple spaces. The 'Available Spaces' screen also provides the opportunity to control volume, both globally across all spaces, or in individual spaces.

TV Space configurations



Music Space configurations

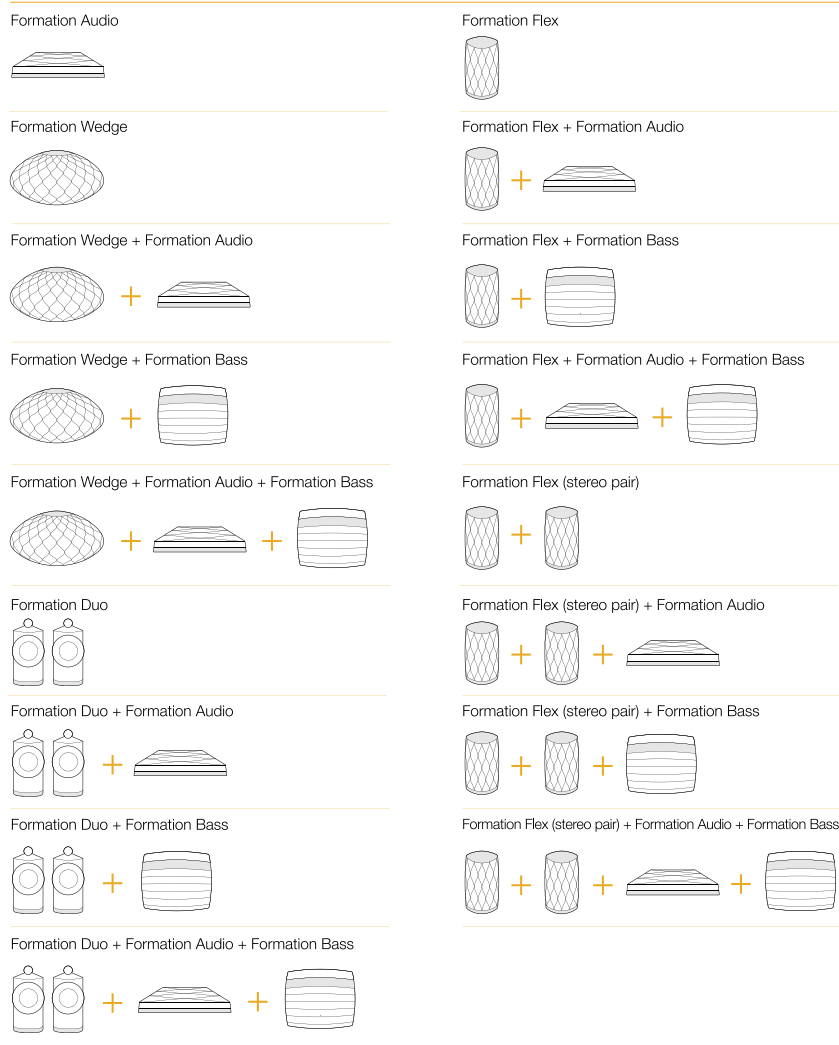


Diagram 3
Space configurations

The Bowers & Wilkins Home app Settings page is opened by tapping on the settings icon. The initial Settings menu lists each space and the number of Formation devices present in each one.

Tapping on a space listed in the Settings menu provides access to its Space and Formation device settings. Tap the Space name to access the space settings and tap the device name to access the device settings. The device settings available will depend on the device in question.

Note: If the Settings icon on the Bowers & Wilkins Home app displays an amber dot (icon + dot) this indicates that a Formation firmware update is available. The firmware update process is initiated from the Settings menu. You should always aim to keep the Bowers & Wilkins Home app and your Formation devices up to date with the latest version and firmware. Not only will this help ensure the most reliable performance, it will ensure that you benefit from new Formation features.

5. Cleaning

Should your Formation Bass need cleaning you can wipe its top surface with a clean, lint-free cloth and brush its grille with a soft brush. If you wish to use any cleaning fluid, apply it onto the cleaning cloth and not directly onto the Formation Bass. Test a small area first, as some cleaning products may damage some of the surfaces. Avoid products that are abrasive, or contain acid, alkali or anti-bacterial agents.

6. Support

Should you require further help or advice regarding your Formation Bass please visit the Formation support site here www.bowerswilkins.com/support.

Environmental Information

This product complies with international directives, including but not limited to the Restriction of Hazardous Substances (RoHS) in electrical and electronic equipment, the Registration, Evaluation, Authorisation and restriction of Chemicals (REACH) and the disposal of Waste Electrical and Electronic Equipment (WEEE). Consult your local waste disposal authority for guidance on how properly to recycle or dispose of this product.

Indicator	Operational state
Flashing white	Start-up in progress
Pulsing amber	Ready for setup
Flashing amber	Firmware update in progress
Pulsing white	Audio pull in progress
Pulsing red	Error - contact support
Solid red	Error - contact support
Flashing red	Factory reset in progress

Diagram 4
Form button illuminations

Bienvenue chez Bowers & Wilkins et à Formation Bass.

Merci d'avoir choisi Formation. Quand John Bowers a créé Bowers & Wilkins, il l'a fait avec la conviction qu'une conception imaginative, une ingénierie innovante et une technologie de pointe étaient les clés qui pourraient libérer le plaisir de l'audio à domicile. Cette conviction continue d'inspirer chaque produit que nous concevons et, avec Formation, elle atteint un niveau d'expression inégalé à ce jour.

Formation Bass est un caisson de graves connecté sans fil qui offre de très hauts niveaux de performances pour l'amélioration de restitution dans le grave des enceintes Formation Duo, Formation Wedge et Formation Bar. Formation Bass est configuré et piloté au moyen de l'application Bowers & Wilkins Home. Cette application est disponible à la fois pour les périphériques iOS et Android. Il n'est possible d'installer et de configurer Formation Bass qu'avec l'application Bowers & Wilkins Home.

Formation Bass vous permettra :

- D'améliorer les performances dans les basses fréquences des enceintes Formation Duo, Formation Wedge et Formation Bar.

L'application Bowers & Wilkins Home est nécessaire pour connecter votre appareil Formation Bass à votre réseau domestique ainsi que pour établir la connexion avec d'autres appareils Formation se trouvant dans votre maison. L'application Bowers & Wilkins Home offre également des fonctions de contrôle et de configuration pendant son utilisation. Avant de commencer l'installation de votre appareil Formation Bass, téléchargez et installez l'application Bowers & Wilkins Home sur votre appareil iOS ou Android. L'application Bowers & Wilkins Home nécessite iOS V11.4 ou supérieur, ou Android version 8.1 ou supérieur. Les services Bluetooth et Wifi doivent également être activés sur votre appareil iOS ou Android. Vous aurez également besoin de connaître le mot de passe de votre réseau Wifi.

Remarque : le service de géolocalisation doit être activé pour les appareils Android lors de la procédure d'installation de votre produit Formation. En effet, les produits Formation utilisent pour communiquer une connexion Bluetooth de faible puissance (BT-LE) qui, sur les appareils Android, n'est active que lorsque le service de géolocalisation est actif. Bowers et Wilkins n'utilisera pas vos données de géolocalisation à des fins marketing.

1. Contenu du carton de Formation Bass

Formation Bass
Câble d'alimentation adapté à votre pays
Ensemble de documents

2. Installer votre Formation Bass

Emplacement

Votre Formation Bass requiert une alimentation secteur pour fonctionner et devra donc être installé à proximité d'une prise secteur. Si votre Formation Bass est relié par une liaison filaire à votre réseau domestique, il devra être installé à proximité de vos équipements réseau (routeur/switch) auquel il sera connecté par un câble Ethernet.

Votre caisson de graves Formation Bass doit être placé au sol à proximité des enceintes Formation qu'il est censé accompagner. Dans le cas de Formation Wedge ou de Formation Bar, vous obtiendrez les meilleurs résultats en disposant votre caisson de graves directement sous l'enceinte concernée ou au niveau du mur adjacent.

Dans le cas où votre Formation Bass est associé à une paire d'enceintes Formation Duo, les meilleurs résultats seront obtenus en plaçant votre Formation Bass entre les deux enceintes Formation Duo ou à proximité de l'une d'entre elles. Disposer votre Formation Bass sur l'un des côtés de la pièce, mais toujours face aux auditeurs, est un compromis acceptable, si des contraintes liées à votre environnement domestique l'imposent. Votre Formation Bass ne devra pas être placé à l'arrière de la position d'écoute. Le schéma 1 illustre les différents emplacements possibles pour votre caisson de graves.

Remarque: Lorsque vous manipulez votre Formation Bass, veillez à ne pas endommager les membranes des haut-parleurs qui sont de part et d'autre de l'enceinte.

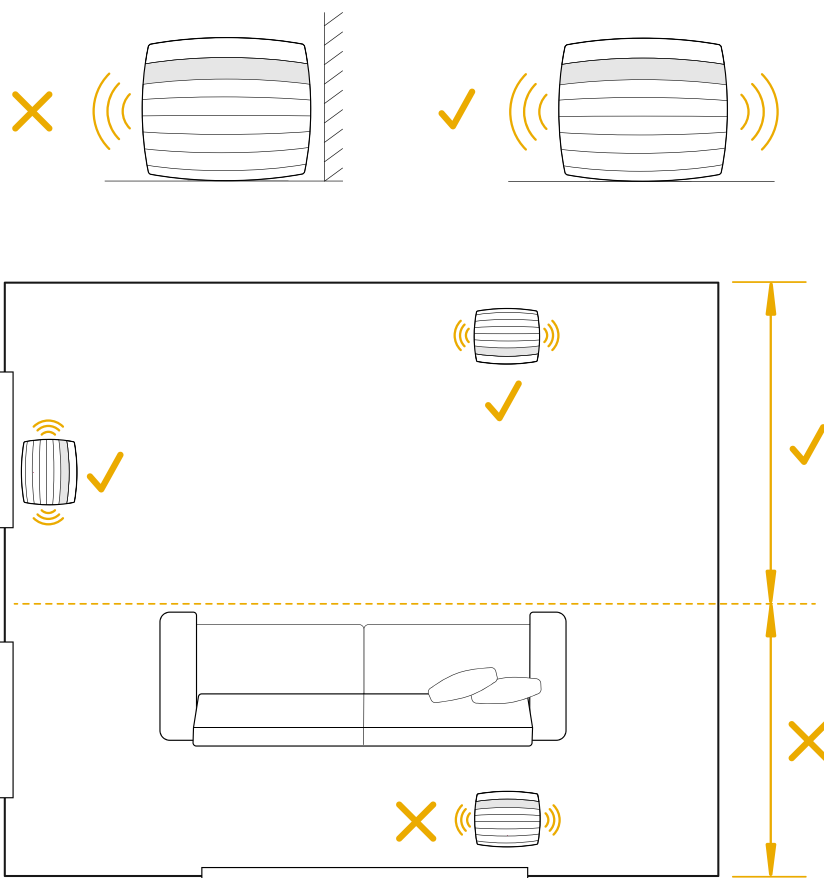


Schéma 1
Positionnement

Connexions


En complément de la prise d'alimentation secteur **2**, votre Formation Bass intègre une prise Ethernet **1** pour la connexion à un routeur, si une liaison filaire est préférée à une liaison sans fil Wifi.

Remarque : la prise USB située sur le panneau arrière de Formation Bass est destinée à une utilisation de type service et/ou diagnostic. Elle n'a aucun autre usage.

Le Formation Bass n'a pas de connexion audio filaire. Il va se configurer lui-même de façon automatique lors du processus de mise en oeuvre pour accéder aux flux audio réseaux et améliorer le rendu des graves selon les caractéristiques des enceintes auquel il est associé. Lorsqu'il est associé à Formation Bar, votre Formation Bass va automatiquement commuter pour prendre en charge le canal des effets d'infra-graves (LFE) des contenus encodés en Dolby Surround

Mettre sous tension et hors tension

Lorsque tous les branchements ont été établis, et que l'application Bowers & Application Wilkins Home a été installée sur votre appareil mobile, votre appareil Formation Bass est dès lors prêt à être configuré et utilisé. Votre appareil Formation Bass n'a pas d'interrupteur d'alimentation et après une courte phase de démarrage, il est opérationnel dès qu'il est connecté au secteur. Il émettra un signal sonore lorsque la phase de démarrage sera terminée.

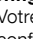
Suite à sa première mise sous tension, votre appareil Formation Bass passe automatiquement en mode de configuration permettant d'activer sa connexion à votre réseau domestique ainsi qu'à tout autre appareil Formation disponible. Le mode de configuration est confirmé par le clignotement lent en orange de la touche tactile Form . Votre appareil Formation Bass va également apparaître dans l'application Bowers & Wilkins Home. Il sera précisé qu'il est disponible pour la configuration, soit au niveau de la page initiale de l'application, soit après avoir sélectionné « Add Formation product » au niveau de la page Settings de l'application.

Votre Formation Bass gère de façon entièrement automatique son état de fonctionnement et sa consommation d'énergie. Il passera en mode d'économie d'énergie après vingt minutes d'inactivité. Il ne sera jamais nécessaire de le mettre hors tension, cependant, si vous souhaitez le faire, il suffira de le débrancher du secteur. Votre appareil Formation Bass conservera tous ses paramètres, même sans alimentation secteur.

Vous pouvez redémarrer votre produit Formation Bass en appuyant brièvement sur le bouton de réinitialisation « reset » situé sur le panneau arrière **3**. En appuyant sur ce bouton, votre appareil va effectuer un cycle arrêt/marche. Tous les paramètres seront conservés à l'issue du redémarrage de votre Formation Bass. Vous pouvez également redémarrer votre appareil Formation Bass via l'application Bowers & Wilkins Home, page « Settings ».

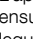
Si vous souhaitez réinitialiser votre appareil Formation Bass et rétablir ses paramètres par défaut, maintenez enfoncé le bouton de réinitialisation pendant cinq secondes. Après redémarrage, votre produit Formation Bass passera en mode configuration. Suite à la réinitialisation, tous les réglages seront supprimés et ramenés à leurs valeurs par défaut. Vous pouvez également réinitialiser votre Formation Bass via l'application Bowers & Wilkins Home, Menu « Settings ».

Configuration du réseau

• Votre appareil Formation Bass étant en mode de configuration, avec la touche Form  en mode clignotant lent orange, lancez l'application Bowers & Wilkins Home sur votre appareil iOS ou Android. L'application vous guidera pas à pas au travers de la procédure d'installation.

Remarque : Formation Bass utilise une connexion Bluetooth avec l'appareil où s'exécute l'application Bowers & Wilkins Home. Le signal Bluetooth ayant une portée relativement courte et pouvant être perturbé ou coupé par les murs de la pièce, nous vous recommandons que votre appareil Formation Bass et le périphérique où est l'application Bowers & Wilkins Home restent à proximité pendant toute la procédure d'installation.

• En mode configuration l'application Bowers & Wilkins Home effectuera d'abord une recherche d'autres produits Formation et affichera un écran vous invitant à en sélectionner un. Appuyez pour sélectionner votre appareil Formation Bass. Si vous avez déjà mis en oeuvre un autre appareil Formation et que souhaitez en ajouter un, sélectionnez « Ajouter un produit Formation » depuis l'application, Menu « Settings ».

• L'application Bowers & Wilkins Home invitera ensuite à donner un nom à « l'espace » dans lequel votre appareil Formation Bass sera utilisé. Une liste de noms d'espaces par défaut est proposée, mais vous pouvez aussi créer le vôtre. Lorsque vous avez sélectionné ou créé un nom d'espace, l'application vous demandera de presser le bouton Form  situé sur la face avant de votre appareil Formation Bass pour confirmer la sélection.

• Si vous souhaitez utiliser une connexion réseau sans fil pour votre produit Formation Bass, la prochaine étape va vous permettre de connecter votre appareil Formation Bass à votre réseau Wifi domestique. L'application vous demandera de confirmer le nom de votre réseau Wifi et de saisir son mot de passe. Alternativement, si votre Formation Bass est connecté à votre routeur réseau à l'aide d'un câble Ethernet, cette étape du processus d'installation sera ignorée.

Remarque : Si vous disposez déjà d'autres produits Formation connectés à votre réseau Wifi, le processus de configuration de votre produit Formation Bass ne vous demandera pas de rentrer le mot de passe de votre réseau sans fil.

• Lorsque la configuration du réseau Wifi et de la sélection de l'espace sont terminées, votre appareil Formation Bass est désormais prêt à être utilisé. Votre appareil Formation Bass émettra un son pour confirmer que la configuration s'est achevée avec succès.

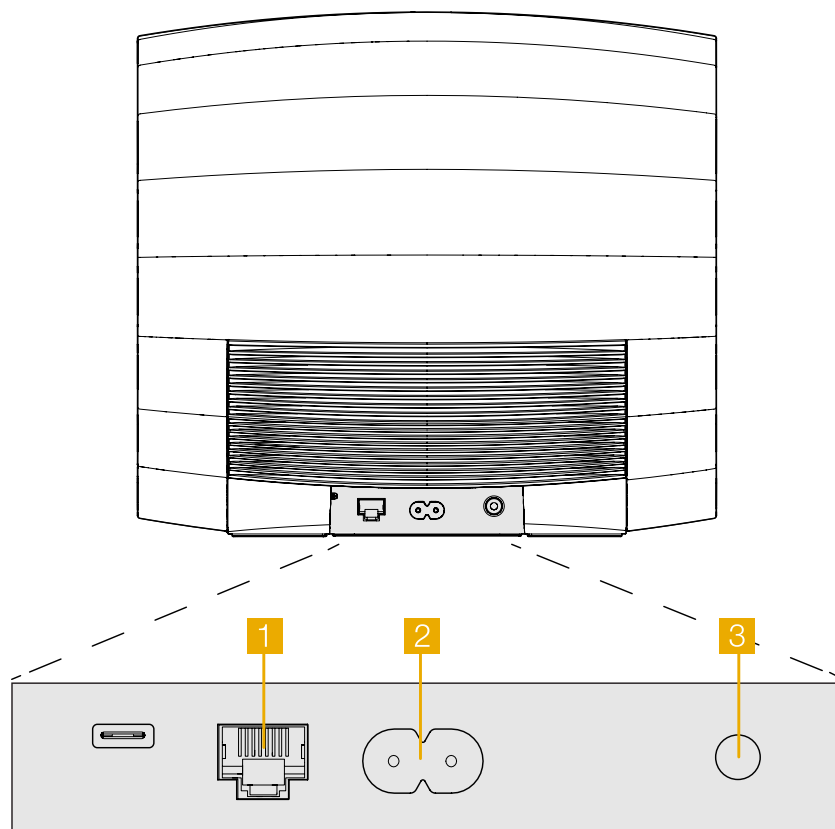


Schéma 2
Panneau arrière de Formation Bass

3. Utilisation de votre Formation Bass

Les principes

Une fois installé et configuré, votre Formation Bass fonctionnera de manière entièrement automatique. Le seul ajustement que vous serez amené à faire sera le volume relatif du caisson de graves par rapport aux enceintes Formation associées. Ce niveau de volume dépendra à la fois de vos préférences personnelles et des caractéristiques acoustiques de votre pièce d'écoute. Pour ajuster le volume de Formation Bass, ouvrez l'application Formation de Bowers & Wilkins et appuyez sur l'icône « settings » pour accéder au menu Paramètres. Pressez « Formation Bass » pour ouvrir sa page de réglages, et utilisez le curseur de volume pour faire les ajustements.

Remarque: Rappelez-vous que votre caisson de graves Formation Bass a la capacité de générer des niveaux acoustiques très élevés dans les basses fréquences susceptibles d'engendrer des nuisances sonores. En cas de doute, réduisez le volume.

Les espaces

Les « espaces » sont un concept fondamental des produits Formation. Un « espace » Formation est une pièce ou une zone de votre maison dans laquelle vous écoutez de la musique. Chaque espace peut inclure des combinaisons différentes de produits Formation. Les configurations possibles sont décrites au niveau du schéma 3.

Éclairage de la touche Form

Les couleurs de l'éclairage de la touche Form changent pour indiquer les différents états opérationnels de Formation Bass. Les couleurs sont détaillées dans le schéma 4.

4. L'application Bowers & Wilkins Home

Dès lors que votre produit Formation Bass est configuré et connecté à votre réseau, l'application Bowers & Wilkins Home s'ouvre sur son écran d'accueil où l'espace de Formation Bass ainsi que les autres espaces Formation disponibles seront affichés.

Appuyez sur un espace Formation pour sélectionner un flux ou une source disponible. S'il n'y a pas de flux disponible, lancez une application de streaming comme Spotify par exemple, choisissez un morceau à lire, puis sélectionnez l'espace Formation dans la liste des périphériques de lecture disponibles. Désormais, quand vous reviendrez dans l'application Bowers & Wilkins Home, le flux Spotify en question sera affiché sur la page de l'espace Formation Bass.

La page d'accueil de l'application Bowers & Wilkins Home dispose d'une icône « Settings » dans le coin supérieur droit. Appuyez sur cette icône pour ouvrir le menu Paramètres de l'application. Le menu « Settings » vous propose des options pour configurer et réinitialiser vos appareils Formation et vous permet aussi de renommer vos espaces Formation. Les mises à jour, à la fois du micrologiciel (firmware) de vos appareils Formation et de l'application Bowers & Wilkins Home peuvent être réalisées au niveau de ce menu « Settings ».

Comment vous orienter au sein de l'application Bowers & Wilkins Home ?

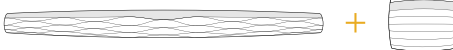
Lors de son ouverture, l'application Bowers & Wilkins Home cherchera les espaces Formation disponibles puis affichera sur sa page d'accueil les espaces ainsi répertoriés.

Configurations d'espaces TV

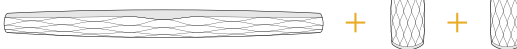
Formation Bar (3.0)



Formation Bar + Formation Bass (3.1)



Formation Bar + Formation Flex (5.0)



Formation Bar + Formation Bass + Formation Flex (5.1)



Configurations d'espaces musicaux

Formation Audio



Formation Wedge



Formation Wedge + Formation Audio



Formation Wedge + Formation Bass



Formation Wedge + Formation Audio + Formation Bass



Formation Duo



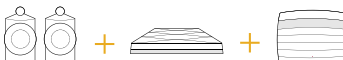
Formation Duo + Formation Audio



Formation Duo + Formation Bass



Formation Duo + Formation Audio + Formation Bass



Formation Flex



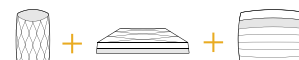
Formation Flex + Formation Audio



Formation Flex + Formation Bass



Formation Flex + Formation Audio + Formation Bass



Formation Flex (stereo pair)



Formation Flex (stereo pair) + Formation Audio



Formation Flex (stereo pair) + Formation Bass



Formation Flex (stereo pair) + Formation Audio + Formation Bass

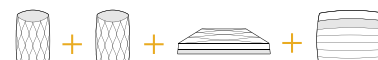


Schéma 3
Configurations d'espaces

Sous chaque espace, l'application affichera quel est son état en cours. En appuyant sur un espace actif, un écran « Now playing » s'affichera et permettra de contrôler le volume ainsi que la lecture/pause.

L'écran « Now playing » offre aussi une option « Available spaces » qui permet de transférer le flux audio en lecture dans l'espace précédemment choisi dans un autre espace, ou de lire ce même flux audio dans plusieurs espaces simultanément. L'écran « Available spaces » offre également la possibilité de contrôler le volume globalement dans tous les espaces, ou indépendamment dans chacun des espaces.

La page Paramètres de l'application Bowers & Wilkins Home s'ouvre en appuyant sur l'icône « Settings ». Le premier menu de la page « Settings » répertorie chacun des espaces ainsi que le nombre d'appareils Formation présents dans chacun d'eux.

Appuyez sur le nom d'un espace pour accéder aux paramètres de l'espace et appuyez sur le nom de l'appareil pour accéder aux réglages de l'appareil. Les paramètres disponibles de l'appareil sont fonction de l'appareil en question.

Remarque : Si, au niveau de l'icône Settings de l'application Bowers & Wilkins Home, vous voyez un point jaune, cela indique qu'une mise à jour du micro-logiciel (firmware) Formation est disponible. Le processus de mise à jour du firmware sera lancé depuis le menu Settings. Dans la mesure du possible, gardez votre application Bowers & Wilkins Home toujours à jour, ainsi que vos appareils Formation en installant la dernière version de firmware. Non seulement vous bénéficierez des meilleures performances et d'une fiabilité accrue, mais vous pourrez également profiter de nouvelles fonctionnalités de votre système Formation.

5. Nettoyage

Si votre appareil Formation Bass a besoin d'un nettoyage, vous pouvez simplement essuyer sa surface supérieure avec un chiffon propre et non pelucheux et brosser la grille avec une brosse douce. Si vous souhaitez utiliser un liquide de nettoyage, appliquez le produit de nettoyage sur le chiffon et non directement sur Formation Bass. Testez d'abord sur une petite partie, en effet certains produits de nettoyage peuvent endommager les surfaces. Évitez les produits abrasifs, ou contenant de l'acide, des alcalins ou des agents antibactériens.

6. Aide et support

Si vous avez besoin d'aide ou de conseils supplémentaires concernant votre produit Formation Bass, merci de vous rendre sur le site internet d'aide des appareils Formation, à cette adresse : www.bowerswilkins.com/support.

Informations environnementales

Ce produit est en conformité avec les directives internationales, y compris, mais sans s'y limiter avec la Restriction d'utilisation des Substances dangereuses (RoHS) pour l'environnement pour les équipements électriques et électroniques, l'enregistrement, l'évaluation, l'autorisation et la restriction d'utilisation des produits chimiques (REACH) et l'élimination des Déchets Électriques et Electroniques (DEEE). Consultez votre autorité locale d'élimination des déchets pour des conseils sur la façon de bien recycler ou d'éliminer ce produit.

Indicateur d'éclairage	État opérationnel
Blanc clignotant	Démarrage en cours
Jaune pulsé	Prêt pour la configuration
Jaune clignotant	Mise à jour du firmware en cours
Blanc pulsé	Lecture audio en cours
Rouge pulsé	Erreur – contacter le support
Rouge continu	Erreur – contacter le support
Rouge clignotant	Réinitialisation usine en cours

Schéma 4

Détails de l'indicateur lumineux de la touche Form

Willkommen bei Bowers & Wilkins und Formation Bass.

Vielen Dank, dass Sie sich für Formation entschieden haben. Als John Bowers das Unternehmen Bowers & Wilkins gründete, war er überzeugt, dass ein einfallreiches, elegantes Design sowie eine innovative Konstruktion und fortschrittliche Technologien der Schlüssel für ein einmaliges Klangerlebnis in Ihrem Zuhause sind. Diese Überzeugung inspiriert weiterhin jedes Produkt, das wir entwickeln, und hat mit Formation die bisher ausgereifteste Form gefunden.

Formation Bass ist ein netzwerkfähiger, drahtloser Subwoofer, der für eine extrem leistungsstarke Basstiefe für Formation Duo, Formation Wedge und Formation Bar Lautsprecher sorgt. Formation Bass wird hauptsächlich mit der Bowers & Wilkins Home App konfiguriert und gesteuert. Die App ist sowohl für iOS- als auch für Android-Geräte verfügbar. Das Installieren und Konfigurieren eines Formation Bass ist nur über die Bowers & Wilkins Home App möglich.

Mit Formation Bass können Sie:

- Die Niederfrequenzwiedergabe von Formation Duo, Wedge und Bar Lautsprechern verbessern.

Die Bowers & Wilkins Home App ist erforderlich, um Formation Bass mit Ihrem Heimnetzwerk zu verbinden, aber auch um eine Verbindung mit anderen Formation-Produkten in Ihrem Zuhause herzustellen. Die Bowers & Wilkins Home App bietet zudem einige Steuerungs- und Konfigurationsfunktionen während des Gebrauchs. Bevor Sie mit der Installation von Formation Bass beginnen, laden Sie bitte die Bowers & Wilkins Home App herunter und installieren Sie sie auf Ihrem iOS oder Android-Gerät. Für die Bowers & Wilkins Home App ist iOS V11.4 oder höher bzw. Android V8.1 oder höher erforderlich. Bluetooth- und WLAN-Dienste müssen auf Ihrem iOS- oder Android-Gerät aktiviert sein. Zudem müssen Sie Ihr WLAN-Passwort kennen.

Hinweis: Auf Android-Geräten müssen die Ortungsdienste während des Einrichtungsvorgangs für Formation aktiviert sein. Dies liegt daran, dass Formation-Produkte für die Kommunikation einen Bluetooth-Modus mit geringem Stromverbrauch (BT-LE) verwenden, der auf Android-Geräten nur eingeschaltet ist, wenn die Ortungsdienste aktiviert sind. Bowers & Wilkins verwendet keine Standortdaten für Marketingzwecke.

1. Formation Bass Kartoninhalt

Formation Bass
Netzkabel-Set passend für Ihr Land
Zugehörige Unterlagen

2. So installieren Sie Formation Bass

Platzierung

Ihr Formation Bass benötigt zum Betrieb eine Netzstromversorgung und muss sich in Reichweite einer Steckdose befinden. Wenn Ihr Formation Bass Lautsprecher eine Kabelverbindung zu Ihrem Heimnetzwerk verwenden soll, muss sich das Gerät in Reichweite eines geeigneten Netzkabels (Ethernet) befinden.

Ihr Formation Bass Lautsprecher sollte in relativer Nähe zum Formation-Lautsprecher, mit dem er kombiniert wird, auf dem Boden platziert werden. Im Zusammenspiel mit Formation Wedge oder der Formation Bar führt die Platzierung des Subwoofers direkt unter dem Lautsprecher oder zumindest neben einer gemeinsamen Wand wahrscheinlich zum besten Klangerlebnis.

Soll Formation Bass mit einem Paar Formation Duo-Lautsprecher kombiniert werden, erzielen Sie wahrscheinlich die besten Klangergebnisse, wenn Sie Formation Bass zwischen dem linken und dem rechten bzw. in der Nähe von einem der beiden Formation Duo-Lautsprecher platzieren. Die Platzierung von Formation Bass zur Seite, jedoch weiterhin vor dem Zuhörer, ist ein akzeptabler Kompromiss, wenn der Raum keine andere Möglichkeit zulässt. Formation Bass sollte nicht hinter der Hörposition aufgestellt werden. Abbildung 1 zeigt die Positionierung des Subwoofers.

Hinweis: Achten Sie beim Umgang mit Ihrem Formation Bass darauf, die Lautsprechermembranen an beiden Enden des Gehäuses nicht zu beschädigen.

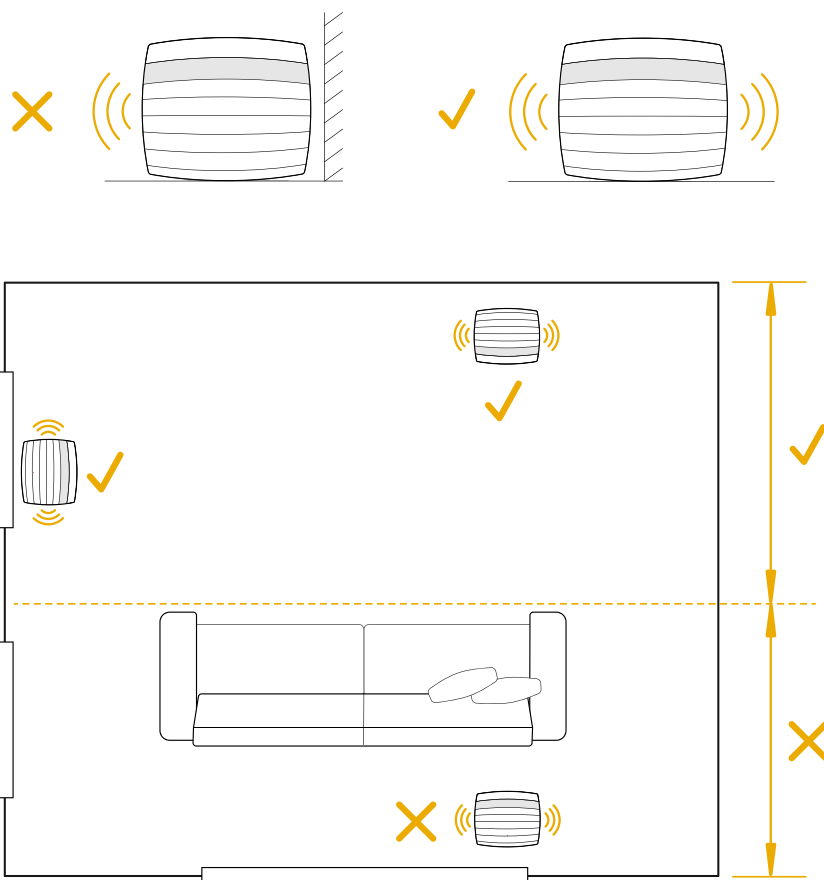


Abbildung 1
Positionierung

Anschlüsse


Neben einer Netzbuchse **2** verfügt Formation Bass über eine Ethernet-Buchse **1** für den Anschluss an einen Router, falls eine kabelgebundene Netzwerkverbindung der kabellosen (WLAN) vorgezogen wird.

Hinweis: Die USB-Buchse auf der Rückseite von Formation Bass ist nur für Service- und Diagnosezwecke vorgesehen. Sie darf nicht für andere Zwecke verwendet werden.

Formation Bass hat keine kabelgebundenen Audioanschlüsse und konfiguriert sich während des Einrichtungsprozesses automatisch so, dass er auf Netzwerk-Audio-Streams zugreift und die Basswiedergabe entsprechend den Eigenschaften des gepaarten Lautsprechers verbessert. In Verbindung mit einer Formation Bar schaltet Formation Bass automatisch auf die Wiedergabe des LFE-Kanals (Low Frequency Effects) von Inhalten im Dolby Surround-Format um.

Ein- und Ausschalten

Nachdem alle Verbindungen hergestellt wurden und die Bowers & Wilkins Home App auf Ihrem Mobilgerät installiert ist, kann Ihr Formation Bass eingerichtet werden. Formation Bass hat keinen Netzschalter und ist nach einem kurzen Startvorgang betriebsbereit, sobald er an das Stromnetz angeschlossen wird. Sie hören ein Tonsignal, wenn der Startvorgang abgeschlossen ist.

Wenn ein zuvor noch nicht benutzter Formation Bass zum ersten Mal eingeschaltet wird, wechselt er automatisch in den Setup-Modus, damit die Verbindung zu Ihrem Heimnetzwerk und zu anderen verfügbaren Formation-Geräten hergestellt werden kann. Der Setup-Modus wird durch ein langsames orangefarbenes Aufleuchten der Form-Touch-Taste angezeigt . Durch Tippen auf „Formation-Produkt hinzufügen“ auf der Konfigurationsseite erscheint der Formation Bass nun auch in der Bowers & Wilkins Home App und kann eingerichtet werden.

Formation Bass steuert seinen Betriebszustand und Stromverbrauch vollautomatisch und wechselt nach zwanzig Minuten Inaktivität in einen Energiesparmodus. Daher müssen Sie Ihren Formation Bass niemals ausschalten. Wenn Sie dies trotzdem wünschen, trennen Sie ihn einfach vom Stromnetz. Ihr Formation Bass behält seine Einstellungen auch ohne Netzanschluss bei.

Sie können einen Formation Bass-Lautsprecher durch kurzes Drücken und Loslassen der Reset-Taste **3** auf der Rückseite neu starten. Durch Drücken der Taste wird Formation Bass aus- und wieder eingeschaltet. Alle Einstellungen bleiben beim Neustart des Formation Bass erhalten. Sie können Ihren Formation Bass auch über die Konfigurationsseite in der Bowers & Wilkins Home App neu starten.

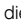
Wenn Sie Formation Bass auf die Standardeinstellungen zurücksetzen möchten, halten Sie die Reset-Taste fünf Sekunden lang gedrückt. Beim Neustart wechselt Formation Bass dann in den Setup-Modus. Beim Zurücksetzen werden alle Einstellungen gelöscht. Sie können Ihren Formation Bass auch über das Konfigurationsmenü in der Bowers & Wilkins Home App zurücksetzen.

Netzwerkeinrichtung

• Öffnen Sie die Bowers & Wilkins Home App auf Ihrem iOS- oder Android-Gerät, während sich Ihr Formation Bass im Setup-Modus befindet und die Form-Taste  langsam orange blinkt. Die App führt Sie durch den Einrichtungsvorgang.

Hinweis: Formation Bass verwendet während des Einrichtungsvorgangs eine Bluetooth-Verbindung zu dem Gerät, auf dem die Bowers & Wilkins Home App läuft. Bluetooth-Signale haben eine relativ geringe Reichweite und können durch Wände/Hindernisse unterbrochen werden. Wir empfehlen daher, dass Formation Bass und das Gerät mit der Bowers & Wilkins Home App während des Einrichtungsvorgangs nahe beieinander bleiben.

• Die Bowers & Wilkins Home App sucht zunächst im Setup-Modus nach Formation-Produkten und zeigt einen Bildschirm an, in dem Sie zur Auswahl aufgefordert werden. Tippen Sie auf Ihren Formation Bass. Wenn Sie bereits ein Formation-Produkt eingerichtet haben und ein weiteres hinzufügen möchten, wählen Sie auf der Konfigurationsseite in der App die Option „Formation-Produkt hinzufügen“.

• Die Bowers & Wilkins Home App fordert Sie als Nächstes auf, den Raum zu benennen, in dem Ihr Formation Bass verwendet werden soll. Sie sehen eine Liste mit Standardnamen für Räume, können aber auch eigene Namen erstellen. Nachdem Sie einen Raumnamen ausgewählt oder erstellt haben, fordert Sie die App auf, die Form-Taste  oben auf Ihrem Formation Bass zu berühren, um die Auswahl zu bestätigen.

• Wenn eine drahtlose Netzwerkverbindung für Ihren Formation Bass verwendet werden soll, erfolgt im nächsten Einrichtungsschritt die Verbindung des Formation Bass mit Ihrem heimischen WLAN-Netz. Die App fordert Sie auf, das richtige WLAN-Netz zu bestätigen und das Passwort einzugeben. Falls Ihr Formation Bass mit einem Ethernet-Kabel an Ihren Netzwerk-Router angeschlossen ist, wird dieser Einrichtungsschritt übersprungen.

• WLAN-Übertragungsmodus 802.11g (2,4 GHz).

Hinweis: Wenn Sie bereits andere Formation-Produkte mit Ihrem WLAN-Netzwerk verbunden haben, müssen Sie für Formation Bass das WLAN-Passwort nicht erneut eingeben.

• Nach Abschluss der WLAN-Konfiguration und der Raumauswahl ist Formation Bass einsatzbereit. Ihr Formation Bass gibt ein Tonsignal aus, um die erfolgreiche Einrichtung zu bestätigen.

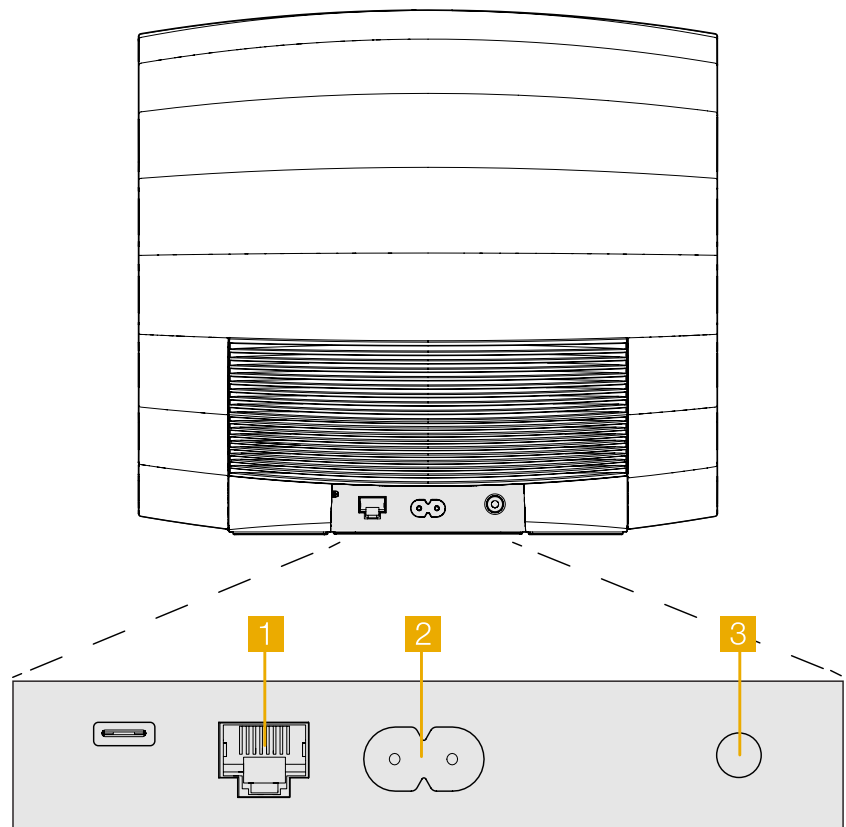


Abbildung 2
Formation Bass Rückwand

3. So verwenden Sie Formation Bass

Grundsätzliches

Nach der Installation und Konfiguration arbeitet Ihr Formation-Bass vollautomatisch. Die einzige Einstellung, die Sie möglicherweise vornehmen müssen, betrifft die Subwoofer-Lautstärke im Verhältnis zum gepaarten Formation-Lautsprecher. Dies hängt von persönlichen Vorlieben und dem akustischen Charakter Ihres Hörraums ab. Um die Lautstärke von Formation Bass anzupassen, öffnen Sie die Bowers & Wilkins Formation App und tippen Sie auf das Einstellungssymbol, um das Konfigurationsmenü zu öffnen. Tippen Sie nun auf „Formation Bass“, um die relevante Konfigurationsseite zu öffnen, und nehmen Sie etwaige Anpassungen mit dem Lautstärkereglervor.

Hinweis: Bitte beachten Sie, dass Ihr Formation Bass-Subwoofer Lautstärkepegel im Niederfrequenzbereich erreichen kann, die womöglich eine Lärmbelästigung darstellen. Im Zweifelsfall sollten Sie daher die Lautstärke verringern.

Spaces

Spaces (Räume) sind ein wichtiges Konzept in der Formation-Produktfamilie. Ein Formation-Space ist ein Raum oder ein bestimmter Bereich in Ihrem Zuhause, in dem Sie Musik hören. Jeder Space kann Formation-Produkte in verschiedenen Kombinationen enthalten. Die möglichen Konfigurationen sind in Abbildung 3 dargestellt.

Durch anhaltendes Betätigen (für mindestens 2 Sekunden) der Form-Taste  wird die Audiowiedergabe auf diesem Gerät abgeschaltet.

Form-Tastenbeleuchtung

Die Beleuchtung der Form-Taste ändert sich, um verschiedene Betriebszustände anzuzeigen. Die Leuchtzustände sind in Abbildung 4 dargestellt.

4. Die Bowers & Wilkins Home App

Nachdem Formation Bass konfiguriert und mit Ihrem Netzwerk verbunden ist, öffnet sich die Bowers & Wilkins Home App auf der Startseite. Dort sind der Formation Bass-Raum sowie alle anderen verfügbaren Formation-Räume aufgelistet.

Tippen Sie auf einen Formation-Raum, um aus allen verfügbaren Streams oder Audioquellen auszuwählen. Wenn keine Streams verfügbar sind, öffnen Sie eine Streaming-App (z. B. Spotify) und wählen Sie einen Titel aus. Wählen Sie dann den Formation-Raum aus der Liste der verfügbaren Wiedergabegeräte aus. Wenn Sie nun zur Bowers & Wilkins Home App zurückkehren, wird der Spotify-Stream für den jeweiligen Raum aufgelistet, in dem sich Ihr Formation Bass befindet.

Auf der Startseite der Bowers & Wilkins Home App befindet sich oben rechts ein Einstellungssymbol. Tippen Sie auf das Symbol, um das Konfigurationsmenü zu öffnen. Dieses Menü bietet Optionen zum Konfigurieren und Zurücksetzen Ihrer Formation-Geräte und zum Umbenennen Ihrer Formation-Räume. Updates für die App und die Firmware der Formation-Geräte werden ebenfalls über dieses Menü abgerufen.

Zurechtfinden in der Bowers & Wilkins Home App

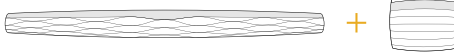
Die Bowers & Wilkins Home App sucht beim Öffnen nach verfügbaren Formation-Räumen und zeigt dann die Startseite mit den gefundenen Räumen an.

TV-Konfigurationen

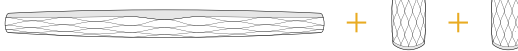
Formation Bar (3.0)



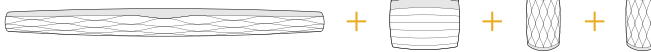
Formation Bar + Formation Bass (3.1)



Formation Bar + Formation Flex (5.0)



Formation Bar + Formation Bass + Formation Flex (5.1)



Musik-Konfigurationen

Formation Audio



Formation Wedge



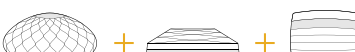
Formation Wedge + Formation Audio



Formation Wedge + Formation Bass



Formation Wedge + Formation Audio + Formation Bass



Formation Duo



Formation Duo + Formation Audio



Formation Duo + Formation Bass



Formation Duo + Formation Audio + Formation Bass



Formation Flex



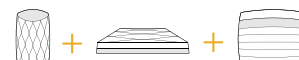
Formation Flex + Formation Audio



Formation Flex + Formation Bass



Formation Flex + Formation Audio + Formation Bass



Formation Flex (stereo pair)



Formation Flex (stereo pair) + Formation Audio



Formation Flex (stereo pair) + Formation Bass



Formation Flex (stereo pair) + Formation Audio + Formation Bass

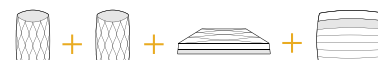


Abbildung 3
Raumkonfigurationen

Unter jedem Raum zeigt die App die aktuelle Aktivität an. Wenn Sie auf einen aktiven Raum tippen, erscheint ein Wiedergabe-Bildschirm, auf dem Sie die Lautstärke und Wiedergabe/Pause steuern können.

Der Wiedergabe-Bildschirm bietet auch die Option „Verfügbare Räume“, mit der der Stream, der im jeweils ausgewählten Raum abgespielt wird, auf einen anderen Raum übertragen oder in mehreren Räumen wiedergegeben werden kann. Der Bildschirm „Verfügbare Räume“ bietet zudem die Möglichkeit, die Lautstärke zu regeln, sowohl über alle Räume hinweg als auch in einzelnen Räumen.

Die Konfigurationsseite der Bowers & Wilkins Home App wird durch Tippen auf das Einstellungssymbol geöffnet. Das Menü der Grundeinstellungen listet jeden Raum und die Anzahl der in jedem Raum vorhandenen Formation-Geräte auf.

Wenn Sie auf einen Raum tippen, der im Konfigurationsmenü aufgeführt ist, erhalten Sie Zugriff auf die Einstellungen für den Raum und dort vorhandene Formation-Geräte. Tippen Sie auf den Raumnamen, um auf die Raumeinstellungen zuzugreifen, und tippen Sie auf den Gerätenamen, um auf die Geräteeinstellungen zuzugreifen. Die verfügbaren Geräteeinstellungen hängen vom jeweiligen Gerät ab.

Hinweis: Wenn das Einstellungssymbol in der Bowers & Wilkins Home App einen gelben Punkt (Symbol + Punkt) anzeigt, bedeutet dies, dass ein Firmware-Update für Formation verfügbar ist. Das Firmware-Update wird über das Konfigurationsmenü gestartet. Sie sollten immer darauf achten, die Version der Bowers & Wilkins Home App und die Firmware Ihrer Formation-Geräte auf dem neuesten Stand zu halten. Dadurch wird nicht nur die höchste Zuverlässigkeit gewährleistet, sondern Sie profitieren auch von neuen Formation-Funktionen.

5. Reinigung

Zum Reinigen von Formation Bass wischen Sie die Oberseite mit einem sauberen, fusselfreien Tuch ab. Das Gitter kann mit einer weichen Bürste gereinigt werden. Wenn Sie Reinigungsflüssigkeit verwenden möchten, tragen Sie diese auf das Reinigungstuch und nicht direkt auf Formation Bass auf. Testen Sie zunächst an einer kleinen, unauffälligen Stelle, da einige Reinigungsprodukte bestimmte Oberflächen beschädigen können. Verwenden Sie daher keine scharfen bzw. säure- oder alkalihaltigen oder antibakteriellen Produkte.

6. Support

Wenn Sie weitere Hilfe oder Beratung zu Formation Bass benötigen, besuchen Sie bitte die folgende Support-Seite für Formation www.bowerswilkins.com/support.

Umweltinformationen

Dieses Produkt entspricht den internationalen Richtlinien über die Beschränkung der Verwendung bestimmter gefährlicher Stoffe in Elektro- und Elektronikgeräten (RoHS), der Verordnung zur Registrierung, Bewertung, Zulassung und Beschränkung chemischer Stoffe (REACH) und den Richtlinien über Elektro- und Elektronik-Altgeräte (WEEE). Erkundigen Sie sich bezüglich des Recyclings bzw. der Entsorgung dieses Produktes bei der örtlichen Abfallentsorgung.

Anzeige	Betriebszustand
Blinkt weiß	Startvorgang läuft
Pulsiert orange	Wartet auf die Einrichtung
Blinkt orange	Firmware-Update wird durchgeführt
Pulsiert weiß	Audio wird abgerufen
Pulsiert rot	Fehler - Support kontaktieren
Konstant rot	Fehler - Support kontaktieren
Blinkt rot	Reset wird durchgeführt

Abbildung 4
Beleuchtung der Form-Taste

Bienvenido a Bowers & Wilkins y al Formation Bass.

Gracias por elegir Formation. Cuando John Bowers fundó Bowers & Wilkins, lo hizo con la firme creencia de que el diseño imaginativo, la ingeniería innovadora y la tecnología avanzada eran las claves que podían desbloquear el disfrute del sonido en el hogar. Esta creencia continúa inspirando cada producto que diseñamos y ha encontrado en el Formation Bass su expresión más avanzada hasta la fecha.

El Formation Bass es un subwoofer inalámbrico con conectividad a redes diseñado para proporcionar una mejora extraordinaria en la reproducción de las frecuencias bajas del conjunto de cajas acústicas Formation Duo, el sistema de audio inalámbrico Formation Wedge y la barra de sonido Formation Bar. El Formation Bass se configura y controla utilizando la Bowers & Wilkins Home app, disponible para dispositivos iOS y Android. La instalación y configuración del Formation Bass sólo es posible utilizando la Bowers & Wilkins Home app.

El Formation Bass le permitirá:

- Mejorar la reproducción de las frecuencias bajas del conjunto de cajas acústicas Formation Duo, el sistema de audio inalámbrico Formation Wedge y la barra de sonido Formation Bar.

La Bowers & Wilkins Home app es necesaria tanto para conectar su Formation Bass a su red doméstica como para establecer la conexión con otros productos Formation que tenga en su casa. La Bowers & Wilkins Home app también proporciona cierto control y funciones de configuración durante el uso del producto. Antes de comenzar la instalación de su Formation Bass, le rogamos que descargue e instale la Bowers & Wilkins Home app en su dispositivo iOS o Android. La Bowers & Wilkins Home app requiere disponer de la versión V11.4 o posterior del iOS o la versión V8.1 o posterior de Android. Asimismo, deben activarse los servicios Bluetooth y Wi-Fi en su dispositivo iOS o Android. También necesitará saber la contraseña de su red Wi-Fi.

Nota: Durante el proceso de configuración del Formation en dispositivos Android deben activarse los Servicios de Ubicación. Esto es debido a que los productos Formation utilizan una variante de baja potencia de Bluetooth (BT-LE) para servicios de comunicación que en los dispositivos Android sólo se pone en marcha cuando los Servicios de Ubicación están activados. Bowers & Wilkins no utilizará datos pertenecientes a servicios de ubicación para fines publicitarios.

1. Contenido del Embalaje del Formation Bass

Formation Bass
 Cable de alimentación apropiado para su país de residencia
 Paquete con documentación

2. Instalando Su Formation Bass

Ubicación

Para funcionar, su Formation Bass necesita ser conectado a la red eléctrica, por lo que debe situarse cerca de una toma de corriente eléctrica. Si su subwoofer Formation Bass va a ser conectado al router de su red por cable, necesitará ser ubicado dentro del alcance de un cable de conexión a redes apropiado (Ethernet).

Su subwoofer Formation Bass debería ser colocado sobre el suelo en una ubicación razonablemente cercana al sistema de altavoces Formation con el que vaya a ser asociado. En el caso de un Formation Wedge o una Formation Bar, la ubicación del subwoofer directamente debajo de uno u otro modelo, o por lo menos cerca de una pared común adyacente, producirá los mejores resultados.

En el caso de un Formation Bass combinado con una pareja de cajas acústicas Formation Duo, los mejores resultados se obtendrán si el Formation Bass se sitúa entre dichas cajas o cerca de una de ellas. La colocación de un Formation Bass en un lado, aunque todavía frente a los oyentes, es un compromiso aceptable si las consideraciones domésticas así lo dictan. El Formation Bass no debería ser colocado detrás de la posición de escucha. El Diagrama 1 ilustra la ubicación del subwoofer.

Nota: Cuando manipule su Formation Bass, tenga cuidado de no dañar el diafragma de los altavoces situados en cada extremo del recinto del mismo.

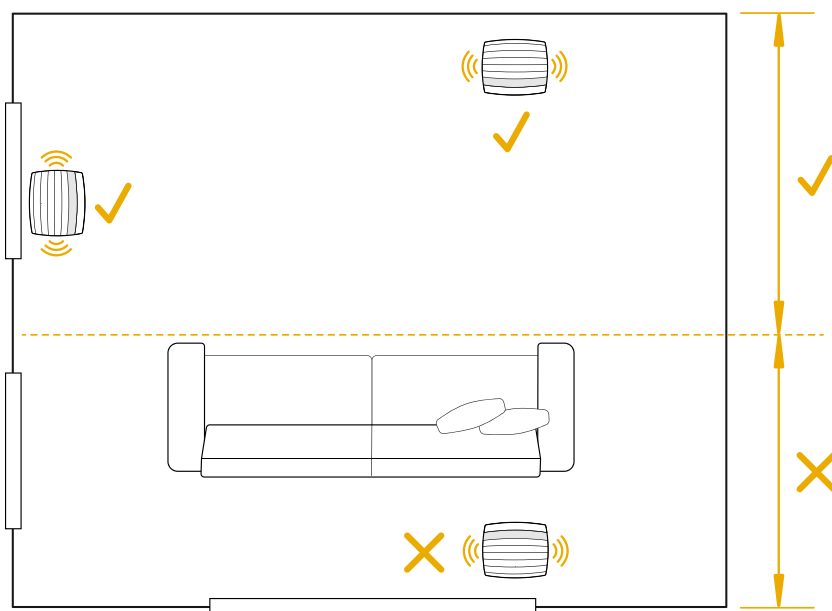
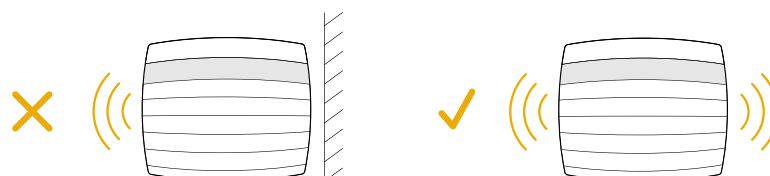


Diagrama 1
 Colocación

Conexiones

Además de la toma correspondiente a la entrada de corriente eléctrica **2**, su Formation Bass incluye una toma Ethernet **1** para la conexión a un router en el caso de que se optara por una conexión a redes por cable en vez de inalámbrica (Wi-Fi).

Nota: La toma USB situada en el panel posterior del Formation Bass tiene por objeto única y exclusivamente la realización de operaciones de mantenimiento y diagnóstico. Por lo tanto, no puede ser utilizada para ningún otro propósito.

El Formation Bass no incluye conexiones por cable y se ajustará automáticamente durante el proceso de configuración para acceder a flujos de audio en red y mejorar adecuadamente la respuesta en graves dependiendo de las características del sistema de altavoces asociado. Cuando se combine con una Formation Bar, el Formation Bass conmutará automáticamente para reproducir el canal de efectos de baja frecuencia (LFE) de los contenidos codificados en Dolby Surround.

Puesta en Marcha y Desactivación

Con todas las conexiones ya realizadas y la Bowers & Wilkins Home app instalada en su dispositivo móvil, su Formation Bass ya está listo para ser configurado y utilizado. Su Formation Bass no incorpora conmutador de puesta en marcha, por lo que después de una breve rutina de arranque estará completamente operativo tan pronto como sea conectado a una toma de corriente eléctrica alterna. Cuando dicha rutina se haya completado, el Formation Bass emitirá un aviso audible.

Cuando un Formation Bass que no ha sido utilizado con anterioridad sea puesto en marcha por primera vez, entrará automáticamente en el modo de configuración para activar su conexión a la red de su casa y a cualquier otro dispositivo Formation presente. El modo de configuración es indicado por una iluminación pulsante lenta en color naranja del botón táctil Form **3**. El Formation Bass también aparecerá en la Bowers & Wilkins Home app como disponible para configurar, bien en la página de inicio de la app bien después de seleccionar "Add Formation product" en la página Settings de la app.

Su Formation Bass gestiona su estado operativo y su consumo de energía de manera completamente automática, conmutando a un modo de ahorro de energía al cabo de veinte minutos de inactividad. En ningún momento hay necesidad de que apague su Formation Bass, aunque en el caso de que deseara hacerlo bastará con que lo desconecte de la toma de corriente eléctrica alterna. En ausencia de alimentación, su Formation Bass guardará todos los ajustes realizados en el mismo.

Puede reiniciar un Formation Bass pulsando brevemente y liberando el botón de reinicialización (reset) situado en su panel posterior **3**. La pulsación de dicho botón desactivará el Formation Bass y volverá a activarlo de nuevo. Cuando su Formation Bass se reinicie, todos los ajustes realizados previamente en el mismo se mantendrán. Usted también puede reiniciar su Formation Bass desde el menú Settings de la Bowers & Wilkins Home app.

Si desea reinicializar su Formation Bass a los ajustes de fábrica (ajustes por defecto), pulse y mantenga pulsado el botón reset durante cinco segundos. En el momento de reiniciarse, su Formation Bass entrará en el modo de configuración. Cuando su Formation Bass se reinicie, todos los ajustes realizados en el mismo serán borrados. Usted también puede reinicializar su Formation Bass desde el menú Settings de la Bowers & Wilkins Home app.

Configuración de Red

• Con el Formation Bass en el modo de configuración, estando su botón Form **3** pulsando lentamente en color naranja, active la Bowers & Wilkins Home app en su dispositivo iOS o Android. La app le guiará con avisos audibles a lo largo del proceso de configuración.

Nota: Durante el proceso de configuración, el Formation Bass utiliza una conexión Bluetooth al dispositivo que contiene la Bowers & Wilkins Home app. Las señales Bluetooth tienen un rango de alcance relativamente corto y pueden ser interrumpidas por los límites físicos – paredes, puertas, techo- de la sala, por lo que recomendamos que durante dicho proceso su Formation Bass y el dispositivo que contenga la Bowers & Wilkins Home app estén lo más cerca posible.

• En primer lugar, la Bowers & Wilkins Home app buscará productos Formation en el modo de configuración y mostrará una pantalla invitándole a seleccionar uno. Tóquela para seleccionar su Formation Bass. Si usted ya ha configurado un producto Formation y está añadiendo otro, seleccione "Add Formation product" en el menú Settings de la app.

• A continuación, la Bowers & Wilkins Home app le invitará a nombrar el "espacio" en el que su Formation Bass va a ser utilizado. Se le proporcionará una lista de nombres de espacios por defecto, aunque usted también puede crear el suyo propio. Cuando haya seleccionado, o creado, un nombre de espacio, la app le pedirá que toque el botón Form **3** del panel frontal de su Formation Bass para confirmar la selección.

• Si va a utilizar una conexión de red inalámbrica para su Formation Bass, la siguiente etapa del proceso de configuración conectará su Formation Bass a su red Wi-Fi doméstica. La app le preguntará para que confirme la red Wi-Fi correcta y le pedirá que introduzca su contraseña. De modo alternativo, si su Formation Bass está conectado al router de su red con un cable Ethernet, esta etapa del proceso de configuración será ignorada.

Nota: Si usted ya tiene otros productos Formation conectados a su red Wi-Fi, la configuración del Formation Bass no exigirá que introduzca la contraseña para acceder a dicha red.

• Con la configuración de la red Wi-Fi -y la selección de espacios- completada, su Formation Bass está preparado para ser utilizado. Su Formation Bass emitirá un aviso audible para confirmar que la configuración se ha llevado a cabo con éxito.

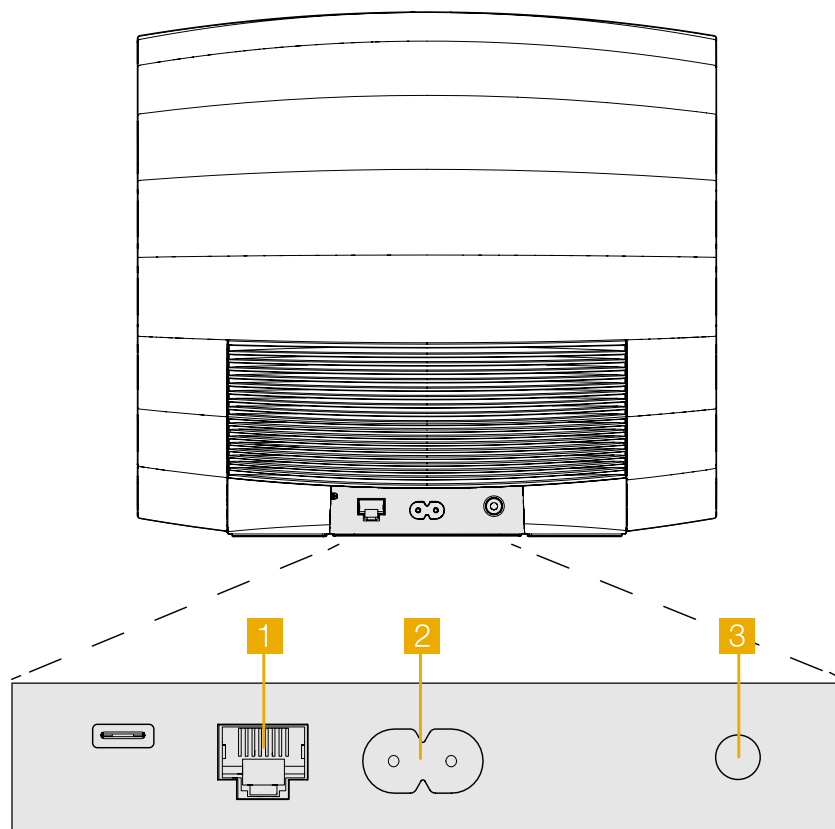


Diagrama 2
Panel posterior del Formation Bass

3. Utilizando Su Formation Bass

Aspectos Básicos

Una vez instalado y configurado, su Formation Bass funcionará de manera completamente automática. El único ajuste que es posible que usted tenga que hacer es el del nivel de volumen del subwoofer con respecto al del sistema de altavoces Formation asociado. Esto dependerá de sus preferencias personales y el carácter acústico de su sala de escucha. Para ajustar el nivel de volumen del Formation Bass, abra la Bowers & Wilkins Formation app y toque el icono settings para abrir el menú Settings. A continuación toque "Formation Bass" para abrir la página de ajustes del mismo y utilice el potenciómetro de volumen deslizante para realizar ajustes.

Nota: Tenga en cuenta que su subwoofer Formation Bass es capaz de alcanzar niveles de presión sonora potencialmente molestos. En caso de duda, reduzca el nivel de volumen.

Espacios

Los espacios son un concepto clave de la familia de productos Formation. Un "espacio" Formation es una sala o un área específica de su casa en la que usted escucha música. Cada espacio puede incluir combinaciones diferentes de productos Formation. Las configuraciones posibles se muestran en el Diagrama 3.

Iluminación del Botón Form

La iluminación del botón Form del Formation Bass cambia para indicar varios estados operativos. Las iluminaciones disponibles se muestran en el Diagrama 4.

4. La Bowers & Wilkins Home App

Con el Formation Bass ya configurado y conectado a su red doméstica, la Bowers & Wilkins Home app se abrirá en su pantalla Home en el espacio donde esté situado aquél, a la vez que mostrará –en una lista– cualquier otro espacio Formation disponible.

Toque un espacio Formation para seleccionar cualquier flujo de audio o fuente de entrada disponible. Si no hay flujos de audio disponibles, abra una app de streaming –Spotify, por ejemplo– y seleccione un tema para su reproducción, seleccionando a continuación el Espacio Formation en la lista de dispositivos para reproducción disponibles. Ahora, cuando usted vuelva a la Bowers & Wilkins Home app el flujo de audio Spotify figurará en la lista de la página de espacios del Formation Bass.

La página de la Bowers & Wilkins Home app incluye un icono Settings en su esquina superior derecha. Toque el icono para abrir el menú Settings de la app. El menú Settings proporciona opciones para configurar y reinicializar sus dispositivos Formation y renombrar sus espacios Formation. Asimismo, tanto las actualizaciones de firmware de la app como del dispositivo Formation se inician también desde el menú Settings.

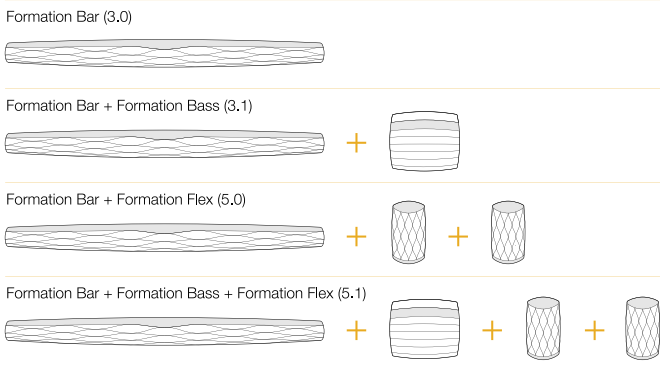
Encontrando Su Camino a Través de la Bowers & Wilkins Home App

La Bowers & Wilkins Home app buscará espacios Formation disponibles cuando sea abierta y a continuación muestre su página Home con la lista de espacios.

Debajo de cada espacio, la app mostrará su actividad en ese momento concreto. Tocando un espacio activo hará que se abra una pantalla "now playing" que activa el control de volumen y las funciones de reproducción/pausa.

La pantalla "now playing" también proporciona una opción llamada "Available Spaces" que permite al flujo de audio reproducido en el espacio seleccionado ser transferido a otro espacio o reproducido en múltiples espacios. La pantalla "Available Spaces" también proporciona la oportunidad de controlar el nivel de volumen tanto globalmente a lo largo de todos los espacios como en espacios individuales.

Configuraciones de Espacio para TV



Configuraciones de Espacio para Música

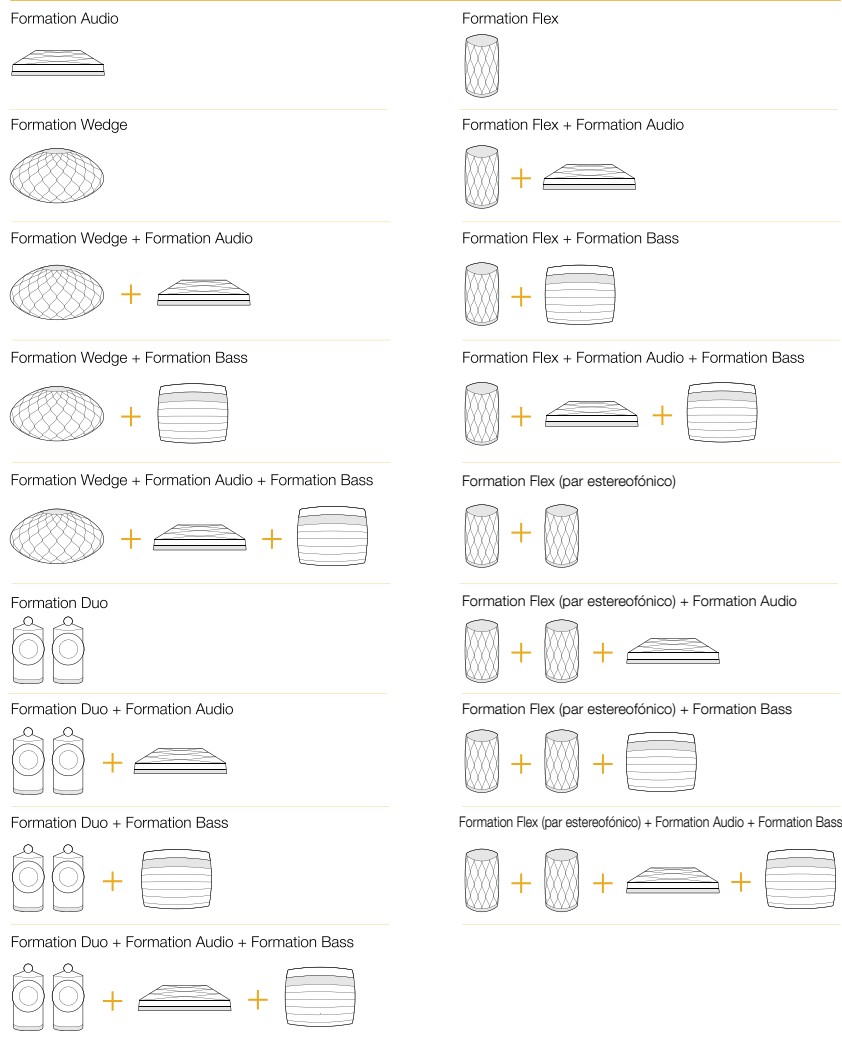


Diagrama 3 Configuraciones de Espacio disponibles

La página Settings de la Bowers & Wilkins Home app se abre tocando el icono settings. El menú Settings inicial muestra cada espacio y el número de dispositivos Formation presentes en el mismo.

Tocando un espacio que figure en la lista del menú Settings permite acceder a dicho Espacio y a los ajustes de dispositivo Formation. Toque el nombre del Espacio para acceder a los ajustes del espacio pertinente y toque el nombre del dispositivo para acceder a los ajustes de dicho dispositivo. Los ajustes de dispositivo disponibles dependerán del dispositivo en cuestión.

Nota: Si el icono Settings de la Bowers & Wilkins Home app muestra un punto amarillo, significa que hay una actualización de firmware Formation disponible. El proceso de actualización de firmware se inicia desde el menú Settings. Usted debería tener siempre actualizados tanto la Bowers & Wilkins Home app como sus dispositivos Formation con, respectivamente, la versión y el firmware más recientes. Ello no sólo le ayudará a asegurar las prestaciones más fiables posibles sino también a beneficiarse de nuevas funcionalidades Formation.

5. Limpieza

En el caso de que su Formation Bass necesitara ser limpiado, usted puede aplicar una gamuza limpia y libre de pelusa a su panel superior y cepillar su rejilla con un cepillo suave. Si desea utilizar algún líquido de limpieza, aplíquelo a la gamuza de limpieza pero no directamente al Formation Bass. Pruebe en primer lugar con áreas pequeñas puesto que es posible que algunos productos de limpieza dañen ciertas superficies. Evite productos abrasivos o que contengan ácido, álcali o agentes antibacterianos.

6. Soporte

En el caso de que necesitara más ayuda o consejos sobre su Formation Bass, le rogamos que visite el sitio web de soporte Formation en www.bowerswilkins.com/support.

Información Medioambiental

Este producto satisface varias regulaciones internacionales relacionadas con la protección del medio ambiente, entre ellas –aunque sin estar limitadas a las mismas- la de Restricción del Uso de Sustancias Peligrosas (RoHS) en equipos eléctricos y electrónicos, la de Registro, Evaluación y Autorización del uso de Productos Químicos REACH) y la de eliminación de Residuos Procedentes de Equipos Eléctricos y Electrónicos (WEEE). Para reciclar o desechar este producto adecuadamente, le sugerimos que contacte con sus autoridades locales en materia de gestión de residuos.

Indicador	Estado operativo
Blanco intermitente	Arranque en curso
Amarillo pulsante	Preparado para configuración
Amarillo intermitente	Actualización de firmware en curso
Blanco pulsante	Extracción de audio en curso
Rojo pulsante	Error – contacte con el servicio de atención al cliente
Rojo estacionario	Error – contacte con el servicio de atención al cliente
Rojo intermitente	Reinicialización a los ajustes de fábrica en curso

Diagrama 4
Iluminaciones disponibles para el botón Form

Bem-vindo à Bowers & Wilkins e ao Formation Bass.

Obrigado por escolher a Formation. Quando John Bowers fundou a Bowers & Wilkins, ele acreditava que um design criativo, uma engenharia inovadora e uma tecnologia avançada eram as chaves que poderiam abrir as portas para se desfrutar do áudio em casa. Essa crença, que continua a inspirar-nos em cada produto que desenvolvemos, encontrou na Formation a sua maior expressão até agora.

O Formation Bass é um subwoofer com ligação à rede e sem fios, projetado para proporcionar uma melhoria da baixa frequência com um elevadíssimo desempenho das colunas Formation Duo, Formation Wedge e Formation Bar. O Formation Bass é configurado e controlado através da aplicação Bowers & Wilkins Home. A aplicação está disponível para dispositivos iOS e Android. Apenas é possível instalar e configurar o Formation Bass utilizando a aplicação Bowers & Wilkins Home.

O Formation Bass permite-lhe:

- Melhorar o desempenho de baixa frequência das colunas Formation Duo, Formation Wedge e Formation Bar.

A aplicação Bowers & Wilkins Home é necessária para ligar o Formation Bass à sua rede doméstica e também para estabelecer ligação com outros produtos Formation na sua casa. A aplicação Bowers & Wilkins Home também disponibiliza algumas funções de controlo e configuração durante a utilização. Antes de começar a instalar o seu Formation Bass, transfira e instale a aplicação Bowers & Wilkins Home no seu dispositivo iOS ou Android. A aplicação Bowers & Wilkins Home requer a versão 11.4 ou mais recente do iOS ou a versão 8.1 ou mais recente do Android. Os serviços de Bluetooth e Wi-Fi devem estar ativados no seu dispositivo iOS ou Android. Necessitará também da palavra-passe da sua rede Wi-Fi.

Nota: Os Serviços de Localização devem estar ativados nos dispositivos Android durante o processo de configuração do Formation Audio. Isto deve-se ao facto de os produtos Formation utilizarem um modelo de Bluetooth de baixo consumo de energia (BT-LE) para comunicação de serviços, o que, nos dispositivos Android, apenas se encontra ativo quando os Serviços de Localização estão ativados. A Bowers & Wilkins não utiliza quaisquer dados de serviços de localização para fins de marketing.

1. Conteúdos da caixa do Formation Bass

Formation Bass
 Conjunto de cabo de alimentação adequado ao seu país
 Conjunto de documentos

2. Instalar o seu Formation Bass

Localização

O seu Formation Bass necessita de uma fonte de alimentação elétrica para ser utilizado, pelo que precisa de estar colocado ao alcance de uma tomada elétrica. Se vai utilizar o seu Formation Bass através de uma ligação com fios à sua rede doméstica, este necessitará de estar colocado ao alcance de um cabo de rede (Ethernet) adequado.

O Formation Bass deve ser colocado no chão, relativamente próximo da coluna Formation a que esteja associado. No caso do Formation Wedge ou da Formation Bar, é provável que a colocação do subwoofer diretamente por baixo das colunas ou, pelo menos, adjacente a uma parede em comum apresente os melhores resultados.

No caso do Formation Bass ser associado a um par de colunas Formation Duo, espera-se que os melhores resultados sejam obtidos se o Formation Bass for colocado entre as colunas Formation Duo, ou na proximidade de uma delas. Colocar o Formation Bass na parte lateral, mas ainda assim de frente para os ouvintes, é um compromisso aceitável se as condições da divisão assim o exigirem. O Formation Bass não deve ser colocado atrás da posição de audição. A Imagem 1 ilustra o posicionamento do subwoofer.

Nota: Tenha cuidado ao manusear o seu Formation Bass, para não danificar os diafragmas localizados em cada extremidade da sua caixa.

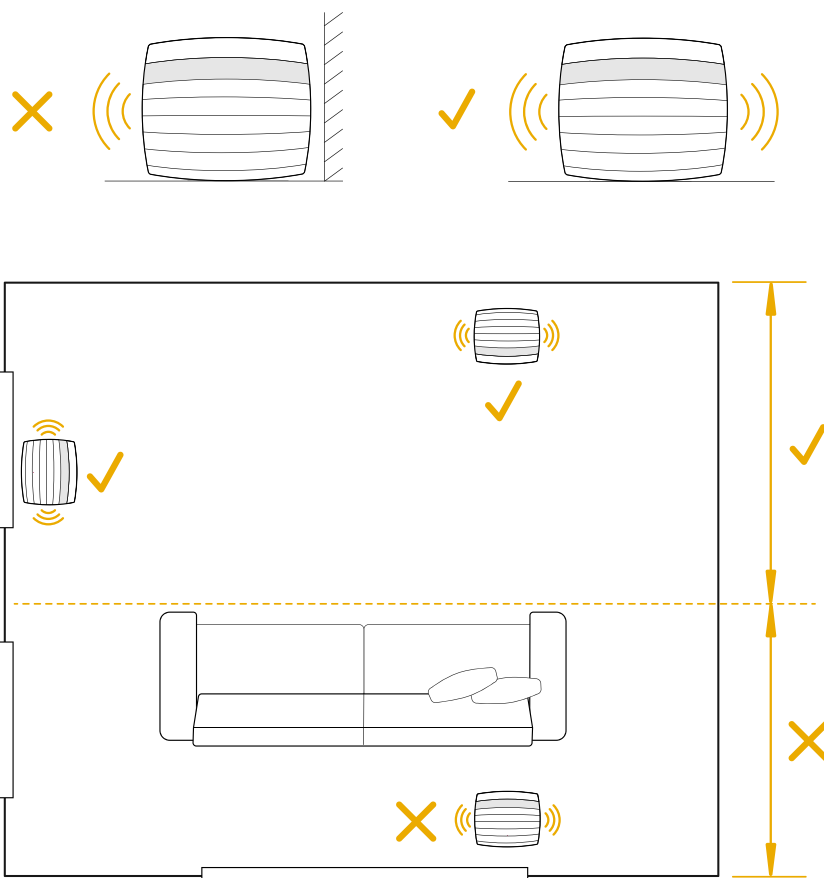


Imagem 1
 Posicionamento

Ligações

Para além de uma tomada elétrica **2**, o seu Formation Bass possui uma tomada Ethernet **1** para ligação a um router caso prefira uma ligação com fios em vez de uma ligação sem fios (Wi-Fi).

Nota: A entrada USB situada no painel traseiro do Formation Bass destina-se apenas a intervenções técnicas e de diagnóstico. Não pode ser usada para qualquer outro fim.

O Formation Bass não tem ligações de áudio com fios e configurar-se-á automaticamente durante o processo de configuração para aceder a transmissões de áudio em rede e para melhorar adequadamente os graves em função das características da coluna associada. Quando associado a uma Formation Bar, o Formation Bass mudará automaticamente para a reprodução do canal de efeitos de baixa frequência (LFE) de material Dolby Surround.

Ligar e desligar

Depois de realizadas todas as ligações e de a aplicação Bowers & Wilkins Home estar instalada no seu dispositivo móvel, o seu Formation Bass está pronto a ser configurado. O seu Formation Bass não tem botão de alimentação e, após uma breve rotina de inicialização, ficará operacional assim que estiver ligado à fonte de alimentação. Assim que a rotina de inicialização estiver concluída, reproduzirá um sinal sonoro.

Quando um Formation Bass que não tenha sido utilizado anteriormente é ligado pela primeira vez, entrará automaticamente no modo de configuração para permitir a sua ligação à sua rede doméstica e a quaisquer outros dispositivos Formation disponíveis. O modo de configuração é indicado através de uma luz cor de laranja que pulsa de forma lenta no botão tátil Form **3**. O Formation Bass também aparecerá na aplicação Bowers & Wilkins Home como disponível para configurar após selecionar "Add Formation product" (Adicionar produto Formation) na página de definições da aplicação.

O seu Formation Bass gere o respetivo estado de funcionamento e consumo de energia de forma completamente automática e entrará no modo de poupança de energia após vinte minutos de inatividade. Não existe a necessidade de desligar o Formation Bass, no entanto, caso o pretenda fazer, basta desligá-lo da fonte de alimentação. O Formation Bass guardará as suas definições mesmo sem estar ligado à rede elétrica.

Pode reiniciar uma coluna Formation Bass premindo brevemente e soltando o botão de reinício situado no painel traseiro **3**. Premir o botão desligará e ligará novamente o Formation Bass. Todas as definições serão mantidas quando o Formation Bass reiniciar. Também pode reiniciar o Formation Bass através da página de definições da aplicação Bowers & Wilkins Home.

Caso pretenda repor as definições de origem do Formation Bass, mantenha o botão de reinício premido durante cinco segundos. Ao reiniciar, o Formation Bass entrará no modo de configuração. Todas as definições serão eliminadas quando o Formation Bass reiniciar. Também pode reiniciar o Formation Bass através do menu de definições da aplicação Bowers & Wilkins Home.

Configuração de rede

- Com o seu Formation Bass em modo de configuração, com as luzes indicadoras do botão Form **3** a pulsar lentamente em cor de laranja, abra a aplicação Bowers & Wilkins Home no seu dispositivo iOS ou Android. A aplicação irá orientá-lo ao longo do processo de configuração.

Nota: O Formation Bass estabelece uma ligação Bluetooth ao dispositivo que executa a aplicação Bowers & Wilkins Home durante o processo de configuração. Os sinais Bluetooth têm um alcance relativamente curto e podem ser interrompidos pelos limites das divisões. Por isso, recomendamos que mantenha o seu dispositivo com a aplicação Bowers & Wilkins Home perto do Formation Bass durante o processo de configuração.

- No modo de configuração, a aplicação Bowers & Wilkins Home começará por procurar produtos Formation e apresentará um ecrã solicitando a seleção de um deles. Toque para selecionar o Formation Bass. Se já configurou um produto Formation e está a adicionar outro, selecione "Add Formation product" (Adicionar produto Formation) no menu de definições da aplicação.
- A aplicação Bowers & Wilkins Home solicitar-lhe-á que adicione um nome ao "espaço" onde o Formation Bass vai ser utilizado. Uma lista de nomes predefinidos será apresentada, mas também poderá criar o seu próprio nome. Após ter selecionado ou criado um nome para o espaço, a aplicação solicitará que toque no botão Form **3** na parte superior do Formation Bass para confirmar a seleção.

- Se pretender utilizar uma ligação de rede sem fios com o Formation Bass, a próxima etapa de configuração irá ligar o seu Formation Bass à sua rede Wi-Fi doméstica. A aplicação solicitará que confirme a rede Wi-Fi correta e que insira a sua palavra-passe. Em alternativa, caso o Formation Bass esteja ligado ao seu router de rede através de um cabo Ethernet, esta etapa do processo de configuração será ignorada.

Nota: Se já tiver outros produtos Formation ligados à sua rede Wi-Fi, a configuração do Formation Bass não lhe solicitará que introduza a palavra-passe do Wi-Fi.

- Com a configuração da rede Wi-Fi e a seleção do espaço completas, o seu Formation Bass está pronto a ser utilizado. O Formation Bass reproduzirá um sinal sonoro para confirmar que a configuração foi bem-sucedida.

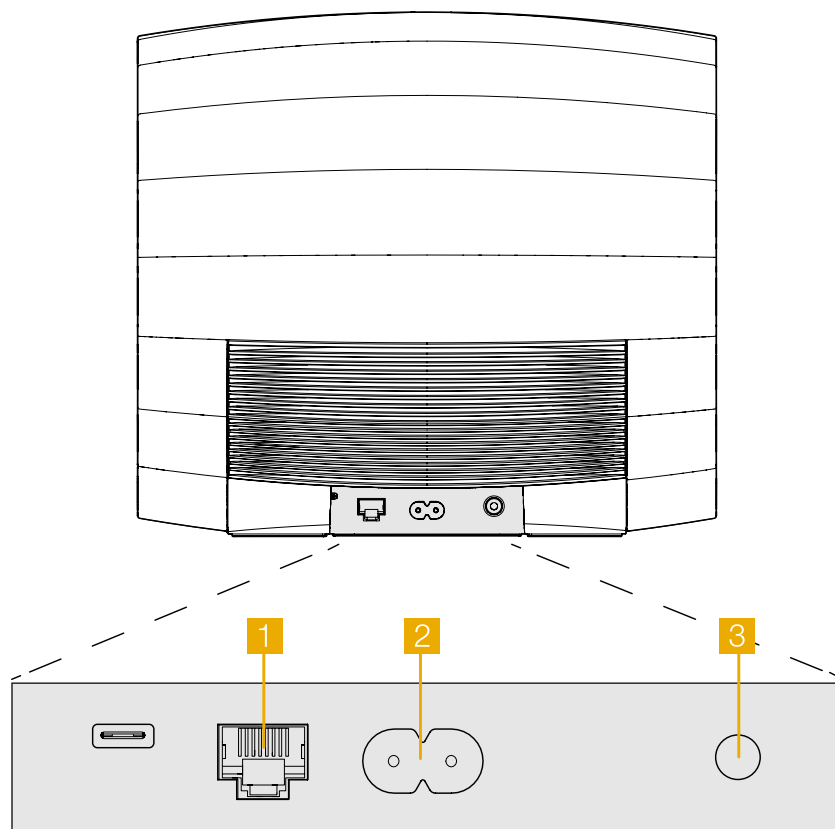


Imagem 2
Painel traseiro do Formation Bass

3. Utilizar o seu Formation Bass

Aspetos básicos

Depois de instalado e configurado, o Formation Bass funcionará de forma totalmente automática. O único ajuste que poderá ter de fazer prende-se com o volume do subwoofer relativamente à coluna Formation associada. Isto dependerá das preferências pessoais e do carácter acústico da divisão de audição. Para ajustar o volume do Formation Bass, abra a aplicação Bowers & Wilkins Formation e toque no ícone de definições para abrir o menu de definições. Em seguida, toque em "Formation Bass" para abrir a respetiva página de definições e utilize o controlo de deslize do volume para fazer ajustes.

Nota: Lembre-se de que o seu subwoofer Formation Bass consegue atingir níveis de volume de baixa frequência potencialmente incómodos. Em caso de dúvida, reduza o volume.

Espaços

Os espaços são um conceito central da família de produtos Formation. Um "espaço" Formation é uma divisão ou uma área específica da sua casa onde costuma ouvir música. Cada espaço pode incluir diferentes combinações de produtos Formation. As possíveis configurações estão ilustradas na Imagem 3

Luzes indicadoras do botão Form

As luzes indicadoras do botão Form do Formation Bass mudam de forma a indicar uma variedade de estados de funcionamento. As luzes indicadoras encontram-se ilustradas na Imagem 4.

4. A aplicação Bowers & Wilkins Home

Com o Formation Bass configurado e ligado à rede, a aplicação Bowers & Wilkins Home abrirá o respetivo ecrã inicial, onde estão enumerados o espaço do Formation Bass e outros espaços Formation disponíveis.

Toque num espaço Formation para seleccionar quaisquer transmissões ou entradas disponíveis. Se não estiver disponível nenhuma transmissão, abra uma aplicação de transmissão de música, tal como o Spotify, e seleccione um item para reproduzir. Em seguida, seleccione o espaço Formation na lista de dispositivos disponíveis para reprodução. Agora, quando regressar à aplicação Bowers & Wilkins Home, a transmissão do Spotify estará indicada na página de espaços do Formation Bass.

A página inicial da aplicação Bowers & Wilkins Home tem um ícone de definições no canto superior direito. Toque no ícone para abrir o menu de definições da aplicação. O menu de definições coloca à disposição opções para configurar e repor os seus dispositivos Formation e para alterar o nome dos seus espaços Formation. As atualizações de firmware da aplicação e do dispositivo Formation também são iniciadas a partir do menu de definições.

Descubra a aplicação Bowers & Wilkins Home

A aplicação Bowers & Wilkins Home irá procurar espaços Formation disponíveis assim que a abrir e, em seguida, mostrará a lista dos espaços na respetiva página inicial.

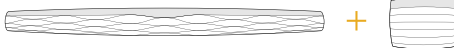
Em baixo de cada espaço, a aplicação mostrará a sua atividade atual. Ao tocar num espaço ativo, abrirá um ecrã "now playing" (a reproduzir) que permite o controlo de volume e das funções reproduzir/pausa.

Configurações do espaço de TV

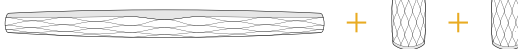
Formation Bar (3.0)



Formation Bar + Formation Bass (3.1)



Formation Bar + Formation Flex (5.0)



Formation Bar + Formation Bass + Formation Flex (5.1)



Configurações do espaço de Música

Formation Audio



Formation Wedge



Formation Wedge + Formation Audio



Formation Wedge + Formation Bass



Formation Wedge + Formation Audio + Formation Bass



Formation Duo



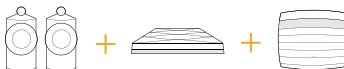
Formation Duo + Formation Audio



Formation Duo + Formation Bass



Formation Duo + Formation Audio + Formation Bass



Formation Flex



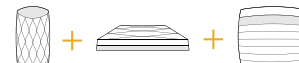
Formation Flex + Formation Audio



Formation Flex + Formation Bass



Formation Flex + Formation Audio + Formation Bass



Formation Flex (stereo pair)



Formation Flex (stereo pair) + Formation Audio



Formation Flex (stereo pair) + Formation Bass



Formation Flex (stereo pair) + Formation Audio + Formation Bass

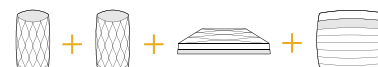


Imagem 3

Configurações do espaço

O ecrã "now playing" (a reproduzir) também apresenta uma opção "Available Spaces" (Espaços disponíveis) que permite que a transmissão a ser reproduzida no espaço selecionado seja transferida para outro espaço ou reproduzida em vários espaços. O ecrã "Available Spaces" (Espaços disponíveis) também coloca à disposição o controlo de volume, tanto de forma global em todos os espaços como em espaços individuais.

Pode abrir a página de definições da aplicação Bowers & Wilkins Home tocando no ícone de definições. O menu de definições iniciais apresenta cada um dos espaços e o número de dispositivos Formation existentes em cada um.

Tocando num espaço apresentado no menu de definições, pode aceder às respetivas definições de espaço e Formation do dispositivo. Toque no nome do espaço para aceder às definições do espaço e toque no nome do dispositivo para aceder às definições do dispositivo. As definições do dispositivo disponíveis dependerão do dispositivo em causa.

Nota: Se o ícone de definições da aplicação Bowers & Wilkins Home apresentar um ponto amarelo (ícone + ponto), isto indica que está disponível uma atualização de firmware Formation. O processo de atualização do firmware é iniciado através do menu de definições. Deve procurar sempre manter a aplicação Bowers & Wilkins Home e os seus dispositivos Formation atualizados com a mais recente versão e firmware. Isto contribuirá tanto para assegurar um desempenho mais estável, como para beneficiar das novas funcionalidades Formation.

5. Limpeza

Caso o seu Formation Bass precise de ser limpo, pode passar pela sua superfície superior um pano limpo e que não largue pelos e escovar a grelha com uma escova macia. Caso pretenda utilizar líquidos de limpeza, aplique-os num pano de limpeza e não diretamente no Formation Bass. Comece por testar numa área pequena, uma vez que alguns produtos de limpeza podem danificar algumas superfícies. Evite utilizar produtos abrasivos ou que contenham agentes ácidos, alcalinos ou antibacterianos.

6. Assistência

Caso necessite de ajuda ou aconselhamento adicional em relação ao seu Formation Bass, aceda ao site de assistência Formation aqui: www.bowerswilkins.com/support.

Informação ambiental

Este produto cumpre as diretivas internacionais, incluindo mas não se limitando às seguintes normas: Diretiva relativa à restrição do uso de determinadas substâncias perigosas (RoHS: Restriction of Hazardous Substances) em equipamentos elétricos e eletrónicos; Regulamento relativo ao registo, avaliação, autorização e restrição de produtos químicos (REACH: Registration, Evaluation, Authorisation and Restriction of Chemicals) e Diretiva relativa aos Resíduos de Equipamentos Elétricos e Eletrónicos (REEE). Consulte uma entidade local de recolha de resíduos para obter informação sobre como reciclar ou eliminar este produto de forma correta.

Indicador	Estado de funcionamento
A piscar a branco	Inicialização em curso
A pulsar a cor de laranja	Pronto para configuração
A piscar a cor de laranja	Atualização de firmware em curso
A pulsar a branco	Transferência de áudio em curso
A pulsar a vermelho	Erro - contactar a assistência
Vermelho fixo	Erro - contactar a assistência
A piscar a vermelho	Reposição para os valores de fábrica em curso

Imagem 4
Luzes indicadoras do botão Form

Benvenuti e grazie per aver scelto un prodotto Bowers & Wilkins.

Quando John Bowers fondò Bowers & Wilkins era convinto che design attraente, capacità d'innovare e tecnologie all'avanguardia fossero fattori vincenti per generare il più alto piacere dalla riproduzione audio domestica. Questa sua certezza continua ad ispirare ogni prodotto che progettiamo e nella gamma Formation trova la sua più avanzata espressione.

Formation Bass è un subwoofer amplificato collegato in rete, senza fili, progettato per fornire prestazioni estremamente elevate migliorando la gamma bassa dei diffusori Formation Duo, Wedge e Bar. Esso è destinato principalmente ad essere configurato e controllato tramite l'applicazione Bowers & Wilkins Home. L'applicazione è disponibile sia per dispositivi iOS che Android. È possibile installare e configurare Formation Bass unicamente tramite l'applicazione Bowers & Wilkins Home.

Formation Bass vi permetterà di:

- Aumentare le prestazioni in gamma bassa dei diffusori Formation Duo, Wedge e Bar.

L'applicazione Bowers & Wilkins Home è necessaria per connettere Formation Bass alla rete domestica e per stabilire una connessione con altri prodotti Formation presenti nella vostra casa. La stessa applicazione permette anche la configurazione dei prodotti ed il loro controllo. Prima di iniziare l'installazione di Formation Bass, scaricare e installare l'applicazione Bowers & Wilkins Home sul proprio dispositivo iOS o Android. L'applicazione Bowers & Wilkins Home richiede iOS V11.4 o successivo e Android V8.1 o successivo. I servizi Bluetooth e Wi-Fi devono essere abilitati sul vostro dispositivo iOS o Android. È inoltre necessario conoscere la password di accesso alla rete Wi-Fi.

Nota: Sui dispositivi Android durante il processo di configurazione devono essere abilitati i servizi di localizzazione. Questo perché i prodotti Formation utilizzano per le comunicazioni di servizio una forma di Bluetooth a basso consumo (BT-LE) che sui dispositivi Android viene attivata solo abilitando i servizi di localizzazione. Bowers & Wilkins non utilizza i dati dei servizi di localizzazione per scopi marketing.

1. Contenuto della confezione

Formation Bass
Cavo di alimentazione elettrica con spina adatta alle prese del vostro Paese
Documentazione

2. Installazione di Formation Bass

Posizionamento

Formation Bass per funzionare richiede solo un collegamento di alimentazione e deve quindi essere posizionato nelle vicinanze di una presa elettrica. Tuttavia, se si preferisce utilizzare un cavo per la connessione al router di rete, dovrà essere collocato in prossimità di una presa per cavi di rete (Ethernet) oppure considerare la lunghezza del cavo necessario a raggiungere il router.

Formation Bass deve essere posizionato a pavimento in prossimità dei diffusori Formation ai quali si desidera associarlo. Nel caso di Formation Wedge o Formation Bar, un subwoofer posizionato direttamente sotto di questi, o comunque a ridosso di una parete comune, è probabile fornisca i migliori risultati.

Quando si abbina Formation Bass ad una coppia di diffusori Formation Duo, i migliori risultati si ottengono probabilmente posizionandolo tra i Formation Duo o nelle vicinanze di uno di essi. Collocare Formation Bass di lato, ma sempre davanti agli ascoltatori, è un compromesso accettabile se la disposizione e gli arredi del locale lo impongono. Formation Bass non deve essere posizionato dietro la posizione di ascolto. La Figura 1 illustra il posizionamento del subwoofer.

Nota: Quando si maneggia Formation Bass, prestare attenzione a non danneggiare le membrane dei woofer situati su ciascuna estremità laterale del mobile.

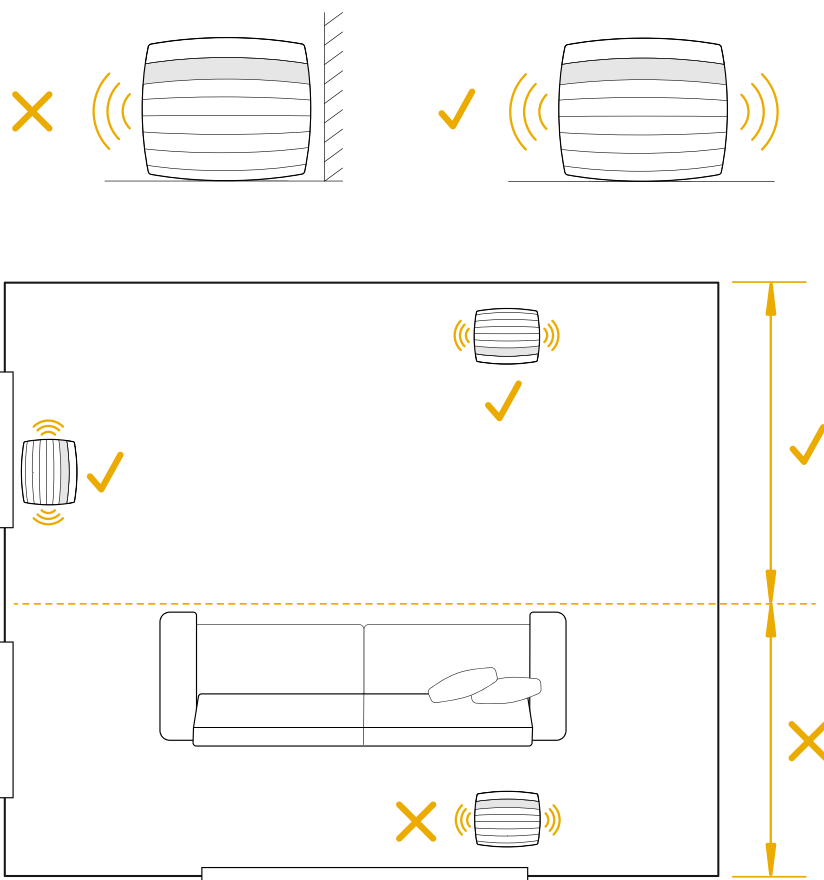


Figura 1
Posizionamento

Collegamenti


In aggiunta alla presa elettrica di alimentazione **2**, Formation Bass è dotato di una presa Ethernet **1** per il collegamento ad un router nel caso si preferisca una connessione di rete cablata a quella wireless (Wi-Fi).

Nota: La presa USB sul pannello posteriore di Formation Bass è destinata unicamente all'assistenza e all'uso diagnostico. Non può venir utilizzata per altri scopi.

Formation Bass non prevede collegamenti audio cablati e si configura automaticamente per accedere ai flussi audio di rete e per generare una gamma bassa appropriata alle caratteristiche del diffusore cui viene associato. Se abbinato ad una Formation Bar, Formation Bass si predisporrà automaticamente per riprodurre il canale effetti a bassa frequenza (LFE) del materiale codificato Dolby Surround.

Accensione e spegnimento

Dopo aver effettuato tutti i collegamenti ed aver installato l'applicazione Bowers & Wilkins Home sul proprio dispositivo mobile, Formation Bass è pronto per essere configurato. Formation Bass non possiede un interruttore d'accensione e, dopo una breve routine di avvio, sarà operativo non appena collegato all'alimentazione elettrica. Una volta completata la routine di avvio viene emesso un segnale acustico.


Quando si accende per la prima volta un Formation Bass mai utilizzato in precedenza, esso entra automaticamente in modalità di configurazione per abilitare il collegamento alla rete domestica e a qualsiasi altro prodotto Formation disponibile. La modalità di configurazione viene indicata da impulsi di color ambra del tasto a sfioramento Formation . Formation Bass apparirà anche nell'applicazione Bowers & Wilkins Home come disponibile per la configurazione nella pagina iniziale, oppure dopo aver selezionato "Aggiungi prodotto Formation" nella pagina Impostazioni.

Formation Bass gestisce lo stato operativo e l'assorbimento elettrico in modo completamente automatico e passa alla modalità di risparmio energetico dopo venti minuti di inattività. Non vi è quindi alcuna necessità di spegnere il subwoofer, ma se si desidera farlo, è sufficiente scollegarlo dalla rete elettrica. Formation Bass manterrà tutte le impostazioni effettuate anche una volta spento.

È possibile riavviare Formation Bass con una breve pressione del tasto reset **3** sul pannello posteriore. Premendo il tasto si spegne e riaccende Formation Bass. Tutte le impostazioni verranno mantenute al riavvio. È anche possibile riavviare Formation Bass nella pagina Impostazioni dell'applicazione Bowers & Wilkins Home.

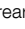
Se si desidera invece ripristinare le impostazioni predefinite di Formation Bass, tenere premuto il tasto reset per cinque secondi. Al riavvio Formation Bass entrerà in modalità di configurazione. Ripristinando in questo modo Formation Bass tutte le impostazioni vengono cancellate. È inoltre possibile ripristinare Formation Bass nella pagina Impostazioni dell'applicazione Bowers & Wilkins Home.

Configurazione della rete

• Con Formation Bass in modalità di configurazione, segnalata dall'emissione di impulsi luminosi di color ambra del tasto Formation , avviare l'applicazione Bowers & Wilkins Home sul dispositivo iOS o Android. L'applicazione vi guiderà nel processo di configurazione.

Nota: Formation Bass durante il processo di configurazione utilizza una connessione Bluetooth verso il dispositivo che esegue l'applicazione Bowers & Wilkins Home. Poiché i segnali Bluetooth hanno una portata relativamente ridotta e possono essere limitati dai confini dell'ambiente, si consiglia di mantenere il dispositivo che esegue l'applicazione Bowers & Wilkins Home in prossimità di Formation Bass durante il processo di configurazione.

• L'applicazione Bowers & Wilkins Home prima di tutto ricerca i prodotti Formation in modalità di configurazione nelle vicinanze e visualizza una schermata che invita a sceglierne uno. Toccare per selezionare Formation Bass. Se è già stato configurato un prodotto Formation e se ne sta aggiungendo un altro, selezionare "Aggiungi prodotto Formation" dal menù Impostazioni dell'applicazione.

• L'applicazione Bowers & Wilkins Home vi inviterà a dare un nome allo "spazio" in cui verrà utilizzato Formation Bass. Viene proposto un elenco di nomi predefiniti, ma è possibile crearne di propri. Dopo aver selezionato, o creato, un nome per lo spazio, l'applicazione chiederà di toccare il tasto a sfioramento Formation  sulla parte superiore del subwoofer per confermare la selezione.

• Se per il collegamento di Formation Bass alla rete domestica si preferisce utilizzare una connessione Wi-Fi, la fase successiva di configurazione riguarderà proprio la connessione wireless. L'applicazione vi chiederà di confermare il nome (SSID) della rete Wi-Fi e di inserire la password di accesso. Diversamente, se Formation Bass viene collegato alla rete mediante cavo Ethernet, questo passaggio della configurazione verrà saltato.

Nota: Se alla rete Wi-Fi sono già connessi altri prodotti Formation, la configurazione di Formation Bass non richiede l'inserimento della password di accesso.

• Dopo aver ultimato il collegamento alla rete e la selezione dello spazio, Formation Bass è pronto per l'uso. Formation Bass emette un segnale acustico per confermare il completamento della configurazione.

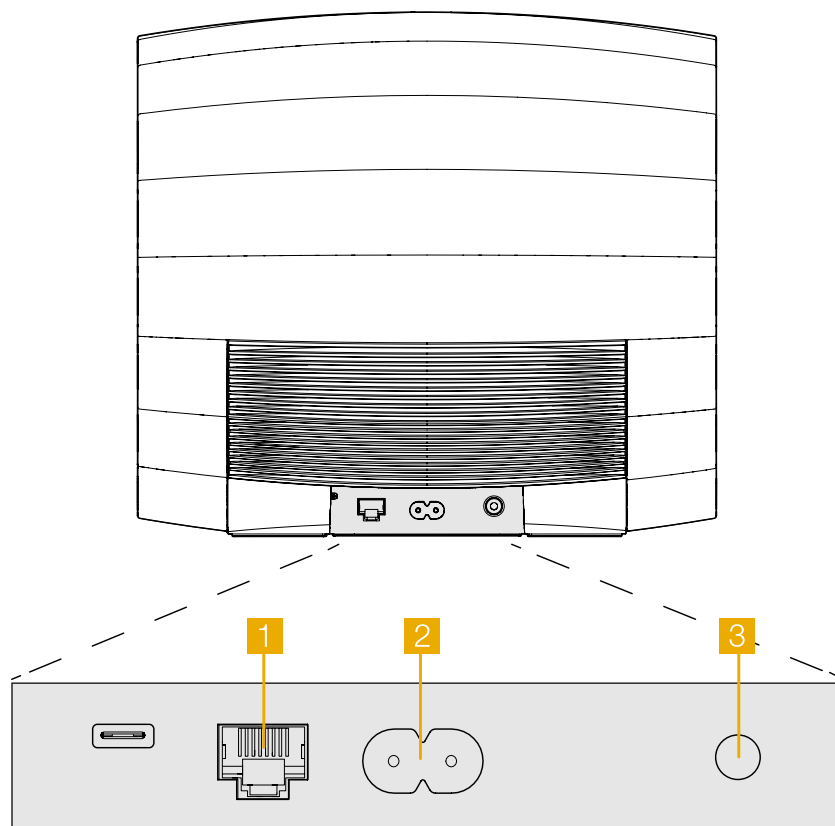


Figura 2
Pannello posteriore Formation Bass

3. Utilizzo di Formation Bass

Le basi

Una volta installato e configurato, Formation Bass funzionerà in modo completamente automatico. L'unica regolazione che potrebbe essere necessaria è quella del volume del subwoofer rispetto ai diffusori Formation associati. Ciò dipende in larga parte dalle preferenze personali e dalle caratteristiche acustiche del locale d'ascolto. Per regolare il volume di Formation Bass avviare l'applicazione Bowers & Wilkins Home ed aprire il menù Impostazioni toccando la relativa icona. Toccare poi "Formation Bass" per entrare nella pagina delle impostazioni del subwoofer, quindi utilizzare il cursore del volume per modificarlo.

Nota: Si ricordi che il subwoofer Formation Bass può arrivare ad erogare elevati livelli di pressione sonora a bassa frequenza, potenzialmente in grado di causare inconvenienti fisici. In caso di dubbi circa i loro effetti, ridurre il volume.

Spazi

Gli spazi sono un concetto basilare della suite di prodotti Formation. Uno "spazio" Formation è una stanza o un'area specifica della vostra casa in cui ascoltare musica. Ogni spazio può includere diverse combinazioni di prodotti Formation. Le possibili combinazioni sono indicate in Figura 3.

Illuminazione del tasto Formation

L'illuminazione del tasto Formation cambia per indicare i differenti stati operativi, come indicato nella tabella di Figura 4.

4. Applicazione Bowers & Wilkins Home

Con Formation Bass configurato e collegato alla rete, avviando l'applicazione Bowers & Wilkins Home si apre la pagina iniziale dove vengono elencati lo spazio cui appartiene Formation Bass e gli altri spazi disponibili.

Toccare uno spazio Formation per selezionare uno dei flussi o degli ingressi disponibili. Se non vi sono flussi disponibili, avviare un'applicazione di streaming, ad esempio Spotify, e selezionare un brano da riprodurre, quindi scegliere lo spazio Formation dall'elenco dei dispositivi di riproduzione disponibili. Tornando all'applicazione Bowers & Wilkins Home, il flusso Spotify verrà elencato nella pagina dello spazio cui appartiene Formation Bass.

La pagina iniziale dell'applicazione Bowers & Wilkins Home ha un'icona Impostazioni nell'angolo in alto a destra. Toccare l'icona per aprire il menù Impostazioni dell'applicazione. Tale menù fornisce le opzioni per configurare e ripristinare le impostazioni dei dispositivi Formation e rinominare gli spazi Formation. Anche gli aggiornamenti dell'applicazione e del firmware dei vengono avviati dal menù Impostazioni.

Muoversi all'interno dell'applicazione Bowers & Wilkins Home

L'applicazione Bowers & Wilkins Home quando viene avviata cerca gli spazi Formation disponibili, quindi visualizza la pagina iniziale e l'elenco degli spazi.

Sotto ogni spazio l'applicazione mostrerà l'attività corrente. Toccando uno spazio attivo si aprirà la schermata "ora in riproduzione" mostrando i controlli di volume ed il comando riproduzione/pausa.

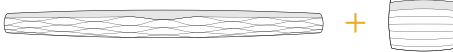
La schermata "ora in riproduzione" fornisce anche l'opzione "spazi disponibili" che consente di trasferire

Combinazioni dello spazio TV

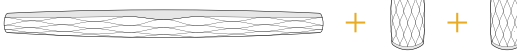
Formation Bar (3.0)



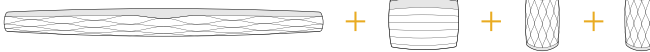
Formation Bar + Formation Bass (3.1)



Formation Bar + Formation Flex (5.0)



Formation Bar + Formation Bass + Formation Flex (5.1)



Combinazioni dello spazio musica

Formation Audio



Formation Wedge



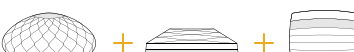
Formation Wedge + Formation Audio



Formation Wedge + Formation Bass



Formation Wedge + Formation Audio + Formation Bass



Formation Duo



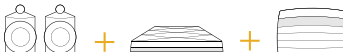
Formation Duo + Formation Audio



Formation Duo + Formation Bass



Formation Duo + Formation Audio + Formation Bass



Formation Flex



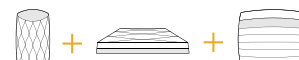
Formation Flex + Formation Audio



Formation Flex + Formation Bass



Formation Flex + Formation Audio + Formation Bass



Formation Flex (coppia stereo)



Formation Flex (coppia stereo) + Formation Audio



Formation Flex (coppia stereo) + Formation Bass



Formation Flex (coppia stereo) + Formation Audio + Formation Bass

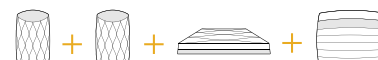


Figura 3
Possibili combinazioni dei prodotti Formation

il flusso in riproduzione nello spazio selezionato in un altro spazio o di riprodurlo in più spazi. La schermata "spazi disponibili" offre anche l'opportunità di controllare il volume, sia globalmente in tutti gli spazi, sia nei singoli spazi.

La pagina Impostazioni dell'applicazione Bowers & Wilkins Home si apre toccando l'icona delle impostazioni. Il menù iniziale elenca ogni spazio ed il numero di dispositivi Formation presenti in ciascuno di essi.

Toccano uno spazio è possibile accedere alle impostazioni relative a quello spazio ed ai dispositivi Formation associati. Toccare il nome dello spazio per accedere alle impostazioni dello spazio ed il nome del dispositivo per accedere alle sue impostazioni. Le impostazioni disponibili dipendono dal tipo di dispositivo.

Nota: Se nell'icona Impostazioni dell'applicazione Bowers & Wilkins Home è presente un punto giallo, ciò indica che è disponibile un aggiornamento del firmware Formation. Il processo di aggiornamento del firmware viene avviato dal menù Impostazioni. L'applicazione Bowers & Wilkins Home deve essere sempre aggiornata alla sua versione più recente e così il firmware dei dispositivi Formation. Questo non solo contribuisce a garantire prestazioni più affidabili, ma permette anche di beneficiare di ogni nuova funzione eventualmente aggiunta.

5. Pulizia

Se il vostro Formation Bass necessita di essere pulito, utilizzare un panno soffice per le superfici esterne ed una spazzola morbida per la griglia. Se si desidera impiegare un liquido detergente, applicarlo sul panno e non direttamente sull'apparecchio. Testare prima una piccola area, in quanto alcuni prodotti per la pulizia possono danneggiare la finitura delle superfici. Evitare prodotti abrasivi o contenenti agenti acidi, alcalini o antibatterici.

6. Supporto

Per un ulteriore aiuto o consigli su Formation Bass, consultare le pagine dedicate all'assistenza:
www.bowerswilkins.com/it-it/support

Informazioni per l'ambiente

Questo prodotto è realizzato in conformità alle normative internazionali sulla limitazione delle sostanze pericolose (RoHS) come pure sulla registrazione, valutazione, autorizzazione e limitazione delle sostanze chimiche (REACH) e sullo smaltimento delle apparecchiature elettriche ed elettroniche (WEEE). Fare riferimento alle indicazioni dell'autorità del vostro Paese per il corretto riciclo o smaltimento del prodotto.

Indicatore	Stato operativo
Bianco lampeggiante	Avvio in corso
Ambra pulsante	Pronto per la configurazione
Ambra lampeggiante	Aggiornamento firmware in corso
Bianco pulsante	Ricezione dati audio in corso
Rosso pulsante	Errore – contattare il supporto
Rosso fisso	Errore – contattare il supporto
Rosso lampeggiante	Ripristino impostazioni di fabbrica in corso

Figura 4
Illuminazione del tasto Formation

Welkom bij Bowers & Wilkins en Formation Bass.

Dank u wel voor uw keuze voor Bowers & Wilkins Formation. Toen John Bowers het initiatief nam voor de oprichting van Bowers & Wilkins, was hij ervan overtuigd dat hij de consument met behulp van fantasierijke ontwerpen, innovatieve engineering en geavanceerde technologie thuis meer van muziek zou kunnen laten genieten. Die overtuiging vormt nog steeds de inspiratie voor elk product dat wij ontwerpen en in Formation komt dit op een tot dusver ongekennde wijze tot uiting.

Formation Bass is een via een netwerk verbonden draadloze subwoofer die een zeer hoog niveau van verbetering biedt van de laagfrequente signalen van Formation Duo-, Wedge-, Flex- en Bar-luidsprekers. Formation Bass wordt geconfigureerd en bediend met de Home-app van Bowers & Wilkins. De app is zowel beschikbaar voor iOS- als voor Android-apparaten. Een Formation Bass is alleen met de Bowers & Wilkins Home-app te installeren en te configureren.

Met Formation Bass kunt u:

- De laagtonenweergave van Formation Duo-, Wedge-, Flex-, en Bar-luidsprekers verbeteren.

De Home-app van Bowers & Wilkins is nodig om uw Formation Bass met uw thuisnetwerk te verbinden en om verbinding te maken met andere Formation-producten in huis. De Home-app van Bowers & Wilkins biedt ook bepaalde bedienings- en configuratiefuncties tijdens gebruik. Download en installeer de Home-app van Bowers & Wilkins op uw iOS- of Android-apparaat voordat u uw Formation Bass gaat installeren. Voor de Home-app van Bowers & Wilkins is iOS V11.4 of hoger, of Android V8.1 of hoger nodig. Bluetooth en WiFi moeten ingeschakeld zijn op uw iOS- of Android-apparaat. Ook moet u het wachtwoord voor het WiFi-netwerk kennen.

N.B.: Tijdens het instellen van Formation-producten moeten locatiediensten op Android-apparaten worden ingeschakeld. Formation-producten communiceren namelijk via een energiezuinige versie van Bluetooth (BT-LE) met diensten en deze wordt op Android-apparaten alleen ingeschakeld als de optie locatiediensten is ingeschakeld. Bowers & Wilkins gebruikt geen gegevens van locatiediensten voor marketingdoeleinden.

1. Inhoud verpakking Formation Bass

Formation Bass
Voedingskabelset voor uw gebied
Documentatie

2. Uw Formation Bass installeren

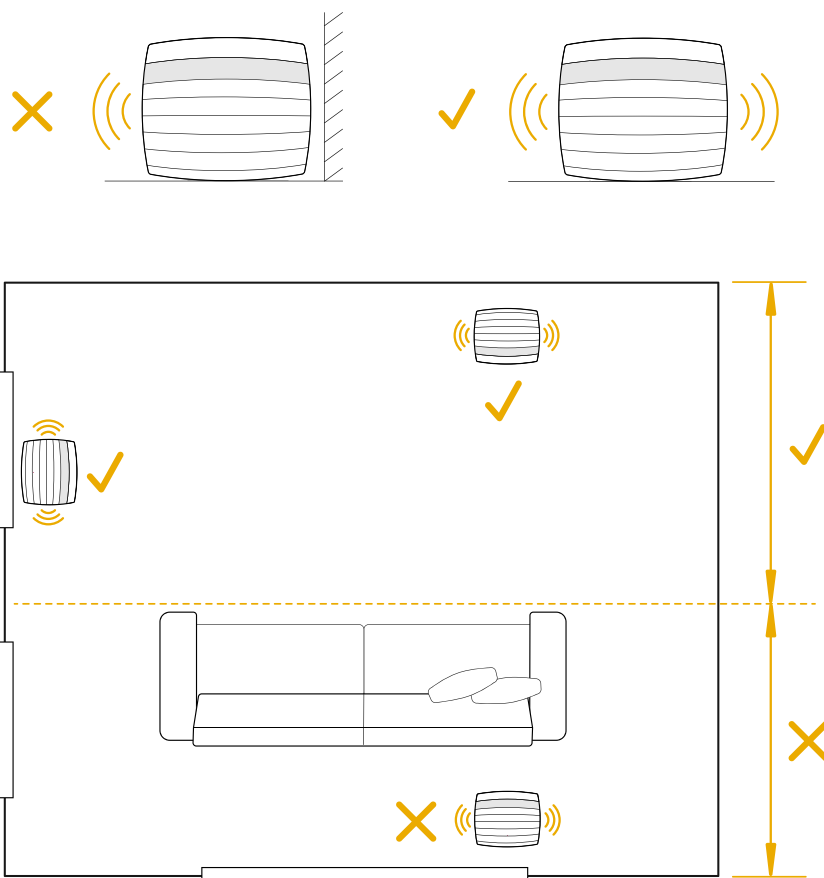
Locatie

U hebt een netvoedingsaansluiting nodig voor uw Formation Bass. Hij moet zich daarom binnen bereik van een stopcontact bevinden. Als u uw Formation Bass-luidspreker met een bedrade verbinding op uw thuisnetwerk wilt aansluiten, moet hij zich binnen bereik van een geschikte netwerkkabel (Ethernet) bevinden.

Plaats uw Formation Bass-luidspreker op de vloer, op redelijk korte afstand van de Formation-luidspreker waarmee hij gekoppeld wordt. In het geval van een Formation Wedge of Formation Bar levert de plaatsing van een subwoofer direct onder de luidspreker, of in ieder geval naast een gemeenschappelijke muur waarschijnlijk de beste resultaten op.

In het geval van een Formation Bass die gekoppeld is met twee Formation Duo-luidsprekers, worden de beste resultaten waarschijnlijk verkregen als de Formation Bass tussen de Duo-luidsprekers of in de nabijheid van één ervan wordt geplaatst. De Formation Bass aan de zijkant, maar nog wel voor de luisteraars plaatsen is een acceptabele oplossing wanneer een betere oplossing vanwege de omstandigheden in huis niet mogelijk is. De Formation Bass mag echter nooit achter de luisterpositie geplaatst worden. Figuur 1 laat zien hoe de subwoofer gepositioneerd moet worden.

N.B.: Hanteer uw Formation Bass voorzichtig. Voorkom dat de drivermembranen aan de uiteinden van de kast beschadigd raken.



Figuur 1
Plaatsing

Aansluitingen


Naast een voedingsingang **2** is uw Formation Bass voorzien van een Ethernet-aansluiting **1** voor verbinding met een router als u de voorkeur geeft aan een bedrade in plaats van een draadloze (WiFi) netwerkverbinding.

N.B.: De USB-aansluiting op het achterpaneel van uw Formation Bass is alleen voor service- en diagnose doeleinden bedoeld. U kunt hem nergens anders voor gebruiken.

De Formation Bass heeft geen bedrade audio-aansluitingen en configureert zichzelf automatisch tijdens het instelproces om toegang te krijgen tot audiostreams via het netwerk en om de lage tonen op passende wijze te verbeteren, afhankelijk van de eigenschappen van de gekoppelde luidspreker. Bij koppeling met een Formation Bar geeft de Formation Bass automatisch het kanaal met laagfrequente effecten (LFE) van met Dolby Surround gecodeerde audio-informatie weer.

In- en uitschakelen

Als alle aansluitingen een feit zijn en de Home-app van Bowers & Wilkins op uw mobiele apparaat geïnstalleerd is, kunt u uw Formation Bass gaan instellen. Uw Formation Bass heeft geen aan/uit-knop en is na een korte opstartroutine ingeschakeld zodra hij op de voeding is aangesloten. Er klinkt een geluidssignaal als de opstartroutine is afgerond.

De eerste keer dat een Formation Bass wordt ingeschakeld, wordt automatisch de instelmodus gekozen om verbinding te kunnen maken met uw thuisnetwerk en met eventuele andere Formation-apparaten die beschikbaar zijn. De instelmodus wordt aangegeven doordat de Form-knop  langzaam oranje gaat knipperen. In de Home-app van Bowers & Wilkins wordt ook aangegeven dat de Formation Bass beschikbaar is om te worden ingesteld. Dit verschijnt nadat u 'Add Formation product' (Formation-product toevoegen) in de instellingenpagina (Settings) van de app selecteert.

Uw Formation Bass beheert zijn bedrijfsstoestand en stroomverbruik geheel automatisch en schakelt na twintig minuten inactiviteit een energiespaarstand in. U hoeft uw Formation Bass nooit uit te schakelen, maar mocht u dit toch willen doen, dan hoeft u alleen maar de stekker uit het stopcontact te trekken. Uw Formation Bass houdt de instellingen ook vast als hij van het stroomnet wordt losgekoppeld.

U kunt een Formation Bass-luidspreker opnieuw starten door de resetknop **3** op het achterpaneel kort in te drukken en weer los te laten. Door de knop in te drukken wordt de Formation Bass uit- en weer ingeschakeld. Alle instellingen worden bewaard als uw Formation Bass opnieuw start. U kunt uw Formation Bass ook opnieuw starten via de pagina Settings (Instellingen) van de Home-app van Bowers & Wilkins.

U kunt de fabrieksinstellingen van uw Formation Bass herstellen door de resetknop vijf seconden ingedrukt te houden. Bij het opnieuw starten wordt nu de instelmodus van uw Formation Bass geopend. Als uw Formation Bass wordt gereset, worden alle instellingen gewist. U kunt uw Formation Bass ook resetten via het menu Settings (Instellingen) van de Home-app van Bowers & Wilkins.

Netwerkinstellingen

• Controleer of uw Formation Bass in de instelmodus staat en het lampje in de Form-knop  langzaam oranje knippert. Start nu de Home-app van Bowers & Wilkins op uw iOS- of Android-apparaat. De app helpt u tijdens het instelproces.

N.B.: Tijdens het instellen gebruikt Formation Bass een Bluetooth-verbinding met het apparaat waarop de Home-app van Bowers & Wilkins draait. Bluetooth-signalen hebben een betrekkelijk kort bereik en kunnen verstoord worden door de muren of andere begrenzingen van vertrekken. Daarom adviseren wij u ervoor te zorgen dat uw Formation Bass en het apparaat met de Home-app van Bowers & Wilkins niet te ver van elkaar verwijderd zijn tijdens het instellen.

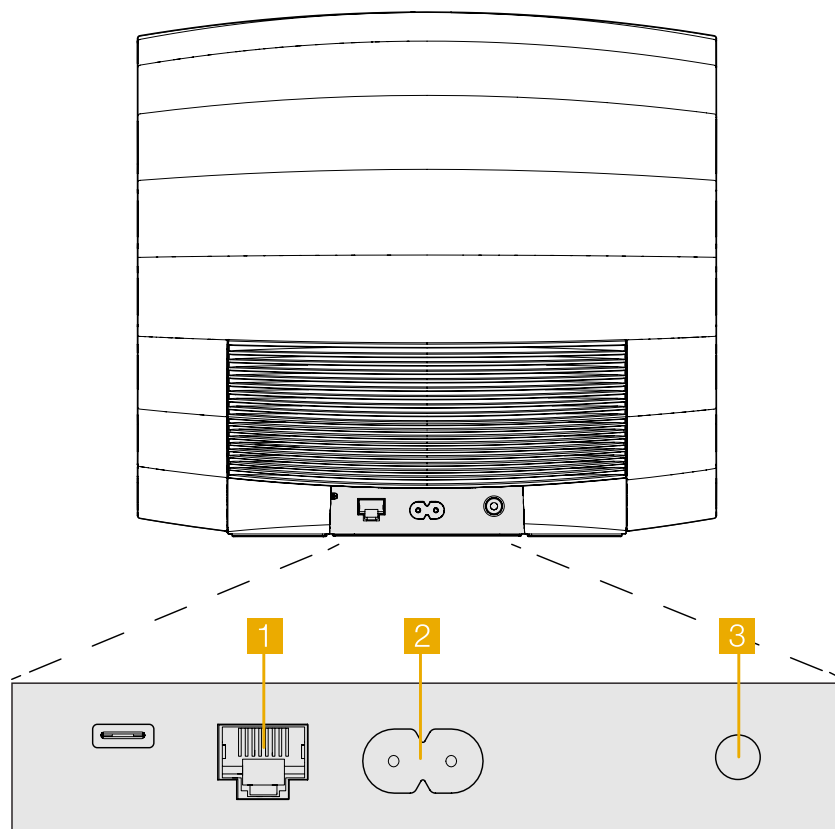
• De Home-app van Bowers & Wilkins zoekt eerst naar Formation-producten in de instelmodus en toont dan een scherm waarop u er één kunt selecteren. Tik op uw Formation Bass om deze te selecteren. Als u al een Formation-product hebt ingesteld en u er nog één wilt toevoegen, selecteert u 'Add Formation product' (Formation-product toevoegen) uit het menu Settings (Instellingen) van de app.

• De Home-app van Bowers & Wilkins vraagt u vervolgens een naam aan te geven voor de 'ruimte' ('space' in het Engels) waarin u uw Formation Bass wilt gebruiken. Er verschijnt een lijst met standaardnamen voor ruimtes, maar u kunt ook zelf een naam aanmaken. Als u een naam voor de ruimte hebt geselecteerd of aangemaakt, vraagt de app u om de Form-knop  bovenop uw Formation Bass aan te raken om de keuze te bevestigen.

• Als u een draadloze netwerkverbinding wilt gebruiken voor uw Formation Bass, verbindt de volgende instelfase uw Formation Bass met het WiFi-netwerk in uw huis. De app vraagt u om het gekozen WiFi-netwerk te bevestigen en het wachtwoord in te voeren. Het is mogelijk dat uw Formation Bass met een ethernetkabel op uw netwerkrouter is aangesloten. In dat geval wordt deze fase van het instelproces overgeslagen.

N.B.: Als u al andere Formation-producten hebt aangesloten op uw WiFi-netwerk hoeft u tijdens het instellen van uw Formation Bass het WiFi-wachtwoord niet meer in te voeren.

• Als het WiFi-netwerk geconfigureerd is en de ruimteselectie is afgerond, is uw Formation Bass klaar voor gebruik. Uw Formation Bass geeft met een geluidssignaal aan dat het instellen geslaagd is.



Figuur 2
Formation Bass achterpaneel

3. Uw Formation Bass gebruiken

De basisbeginselen

Na installatie en configuratie werkt uw Formation Bass volledig automatisch. U hoeft alleen nog het subwoofervolume op de gekoppelde Formation-luidspreker af te stemmen. Dit is afhankelijk van uw persoonlijke voorkeur en het akoestische karakter van uw luistervertrek. U kunt het volume van de Formation Bass aanpassen door de Formation-app van Bowers & Wilkins te openen en op het instellingensymbool te tikken om het instellingenmenu te openen. Tik nu op de 'Formation Bass' om de desbetreffende instellingenpagina te openen. Pas het volume met de schuifregelaar voor het volume aan.

N.B.: Denk eraan dat uw Formation Bass-subwoofer een geluidsvolume kan voortbrengen dat voor overlast zou kunnen zorgen. Verlaag bij twijfel het volume.

Ruimtes

Ruimtes zijn een kernconcept van de Formation-productfamilie. Een Formation-ruimte is een vertrek of een specifiek gebied in uw huis waar u naar muziek luistert. Elke ruimte kan verschillende combinaties Formation-producten bevatten. De mogelijke configuraties worden in figuur 3 getoond.

Verlichting Form-knop

De verlichting van de Formation Bass Form-knop verandert afhankelijk van de bedrijfsstatus. De verschillende kleur indicaties worden weergegeven in figuur 4.

4. De Home-app van Bowers & Wilkins

Als uw Formation Bass geconfigureerd en met uw netwerk verbonden is, wordt de startpagina van de Home-app van Bowers & Wilkins geopend. Hier vindt u de Formation Bass-ruimte en andere beschikbare Formation-ruimtes.

Tik op een Formation-ruimte om beschikbare streams of inputs te selecteren. Zijn er geen streams beschikbaar? Open dan een streaming-app, bijv. Spotify, en selecteer iets om af te spelen en selecteer daarna de Formation-ruimte uit de lijst met beschikbare weergaveapparaten. Als u nu terugkeert naar de Home-app van Bowers & Wilkins, vindt u de Spotify-stream op de pagina voor de Formation Bass-ruimte.

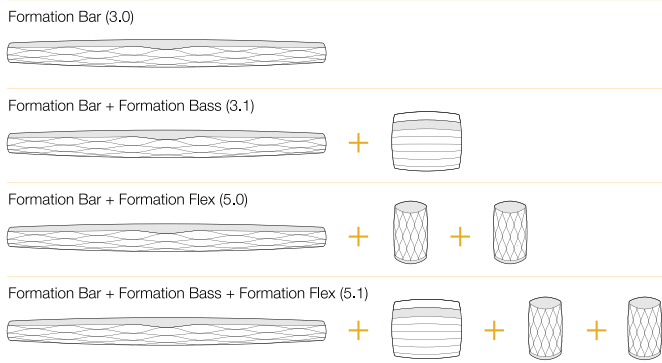
In de rechterbovenhoek van de startpagina van de Home-app van Bowers & Wilkins vindt u een instellingensymbool. Raak dit symbool aan om het instellingenmenu van de app te openen. In het instellingenmenu zijn opties te vinden voor het configureren en resetten van uw Formation-apparaten en om de namen van uw Formation-ruimtes aan te passen. Updates voor de app en firmware-updates voor Formation-apparaten worden ook vanuit het menu Settings (Instellingen) geïntialiseerd.

Vertrouwd raken met de Home-app van Bowers & Wilkins

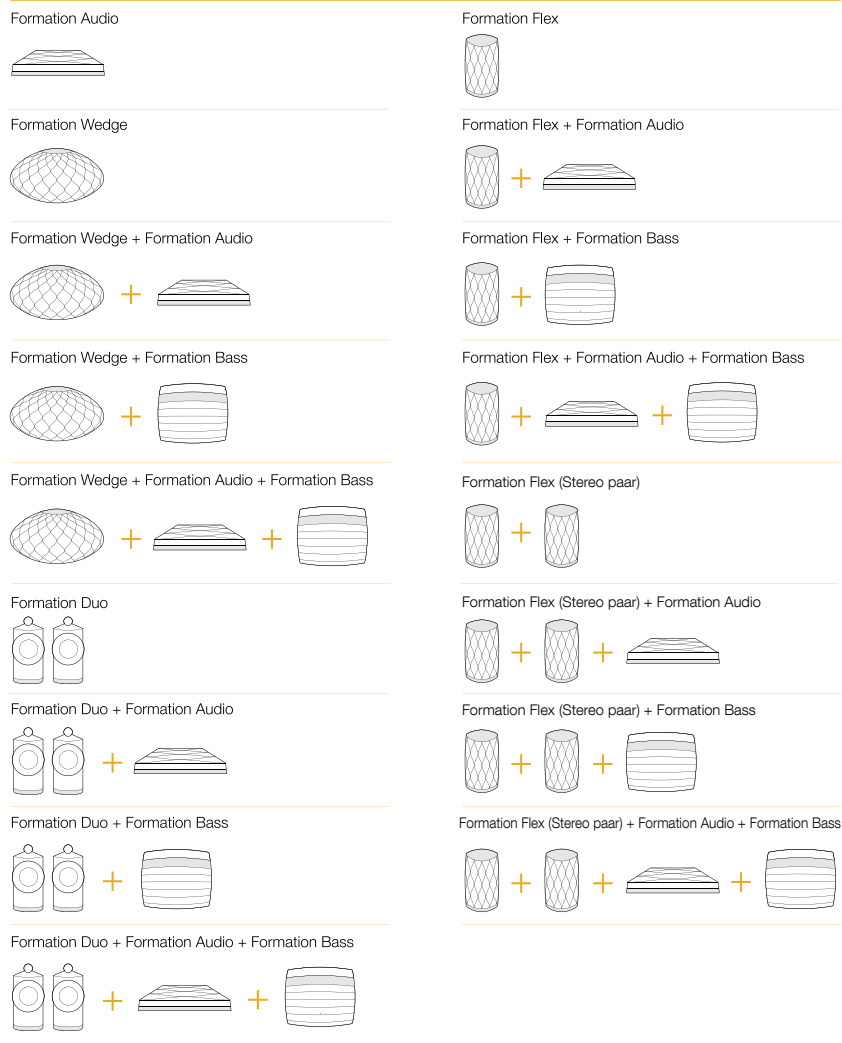
Als de Home-app van Bowers & Wilkins geopend wordt, zoekt hij naar beschikbare Formation-ruimtes en laat hij vervolgens deze ruimtes op de startpagina van de app zien.

Onder elke ruimte laat de app de actuele activiteit van die ruimte zien. Als u op een actieve ruimte tikt, wordt er een 'now playing'-scherm geopend waarin te zien is wat er nu wordt afgespeeld. Hierin kunt u het volume en het afspelen/pauzeren regelen.

TV opstelling configuraties



Muziek opstelling configuraties



Figuur 3
Ruimteconfiguraties

In dit scherm vindt u ook de optie 'Available Spaces' (Beschikbare ruimtes) waarmee u de stream die in de geselecteerde ruimte wordt afgespeeld kunt overzetten naar een andere ruimte of in meer ruimtes tegelijk kunt afspelen. Het scherm met 'Available Spaces' (Beschikbare ruimtes) biedt ook de kans om het volume te regelen, zowel globaal voor alle ruimtes als in individuele ruimtes.

U opent de instellingenpagina van de Home-app van Bowers & Wilkins door op het symbool voor instellingen te tikken. In het initiële instellingenmenu wordt elke ruimte getoond met het aantal Formation-apparaten dat in elke ruimte aanwezig zijn.

Door op een ruimte in het instellingenmenu te tikken, opent u de bijbehorende ruimte- en Formation-apparaatinstellingen. Tik op de naam van de ruimte om de instellingen voor die ruimte te openen en tik op de naam van een apparaat om naar de instellingen van dat apparaat te gaan. Welke apparaatinstellingen beschikbaar zijn, is afhankelijk van het apparaat in kwestie.

N.B.: Als het instellingensymbool op de Home-app van Bowers & Wilkins een gele stip te zien geeft (symbool + stip), betekent dit dat er een Formation-firmware-update beschikbaar is. Het proces voor het updaten van de firmware wordt vanuit het instellingenmenu geïnitieerd. Probeer de Home-app van Bowers & Wilkins en uw Formation-apparaten actueel te houden door altijd de nieuwste software- en firmware-updates uit te voeren. Dit levert niet alleen de meest betrouwbare prestaties op, maar het zorgt er ook voor dat u van nieuwe Formation-functies kunt profiteren.

5. Schoonmaken

Als het nodig is uw Formation Bass schoon te maken, veeg de bovenkant dan met een schone, pluisvrije doek af en maak de grill met een zachte borstel schoon. Als u een vloeibaar schoonmaakmiddel wilt gebruiken, breng dit dan op de poetsdoek aan en niet rechtstreeks op uw Formation Bass. Probeer het middel eerst op een onopvallend plekje uit. Sommige schoonmaakproducten tasten bepaalde oppervlakken namelijk aan. Gebruik geen schurende producten of producten met zure, alkalische of antibacteriële werkstoffen.

6. Ondersteuning

Indien u meer hulp of advies nodig heeft voor uw Formation Bass, gelieve de formation ondersteuning pagina te raadplegen op: www.bowerswilkins.com/support.

Milieu-informatie

Dit product voldoet aan internationale regelgeving, zoals onder andere de BGS-richtlijn inzake beperkingen op het gebruik van bepaalde gevaarlijke stoffen in elektrische en elektronische apparatuur, de REACH-verordening inzake de registratie en beoordeling van en de autorisatie en beperkingen ten aanzien van chemische stoffen en de AEEA-richtlijn betreffende afgedankte elektrische en elektronische apparatuur. Neem contact op met de lokale instantie die verantwoordelijk is voor afvalverwerking voor informatie over hoe u dit product op de juiste wijze kunt recylen of afdanken.

Kleur indicator	Status van het toestel
Knipperend wit	Opstart aan de gang
Pulserend geel	Klaar voor installatie
Knipperend geel	Firmware update aan de gang
Pulserend wit	Audio overdracht in werking
Pulserend rood	Fout – Neem contact op met klantenservice
Continue rood verlicht	Fout – Neem contact op met klantenservice
Knipperend rood	Toestel wordt terug naar fabriek-instellingen gezet

Figuur 4
Form-knop kleur indicaties

Добро пожаловать в Bowers & Wilkins и Formation Bass!

Благодарим вас за приобретение Formation. Наш основатель, Джон Бауэрс, верил в то, что творческий подход в проектировании, новаторская конструкция и передовые технологии смогут открыть людям путь к подлинному звучанию в доме. Мы продолжаем разделять его веру, и она вдохновляет нас при проектировании всех новых продуктов, и в серии Formation она нашла свое самое современное воплощение.

Formation Bass – это подключенный к сети беспроводный сабвуфер, который обеспечивает очень высокое качество воспроизведения басов для систем Formation Duo, Formation Wedge и Formation Bar. Formation Bass можно сконфигурировать и управлять им, прежде всего, с помощью приложения Bowers & Wilkins Home. Приложение доступно как для iOS, так и для Android устройств. Установить и настроить Formation Bass можно только с помощью приложения Bowers & Wilkins Home.

Formation Bass позволяет делать следующее:

- Повысить качество воспроизведения басов для систем Formation Duo, Formation Wedge и Formation Bar.

Требуется приложение Bowers & Wilkins Home для подключения вашего Formation Bass к домашней сети, а также для установления связи с другими продуктами Formation в вашем доме. Приложение Bowers & Wilkins Home предоставляет также некоторые функции управления и настройки во время использования. Перед началом установки Formation Bass загрузите и установите приложение Bowers & Wilkins Home на устройстве iOS или Android. Приложение Bowers & Wilkins Home требует iOS версии 11.4 или более поздней или Android и V8.1 или более поздней версии. Службы Bluetooth и WiFi должны быть включены на вашем устройстве iOS или Android. Вам также нужно будет знать свой сетевой пароль для Wi-Fi.

Примечание: сервис определения местоположения должен быть включен на устройствах Android в процессе установки Formation. Это связано с тем, что продукты Formation используют маломощную форму Bluetooth (BT-LE) для служебной связи, которая на устройствах Android включается только при включении служб определения местоположения. Bowers & Wilkins не используют данные служб определения местоположения в маркетинговых целях.

1. Содержимое упаковки Formation Bass

Сабвуфер Formation Bass
Кабель питания для Formation Bass, подходящий для ваших розеток
Пакет документации

2. Установка вашего Formation Bass

Размещение

Ваш сабвуфер Formation Bass требует наличия источника электропитания для работы, поэтому он должен быть расположен в пределах досягаемости розетки. Если Formation Bass должен использовать проводное подключение к домашней сети, он должен быть расположен в пределах досягаемости необходимых (Ethernet) кабелей.

Ваш сабвуфер Formation Bass должен быть установлен на полу достаточно близко к колонкам Formation, с которыми он вместе работает. В случае Formation Wedge или Formation Bar, размещение сабвуфера сразу под колонкой или, по крайней мере, рядом с общей стеной, скорее всего, обеспечит наилучшие результаты.

В случае использования Formation Bass вместе с парой колонок Formation Duo наилучшие результаты можно получить, если Formation Bass разместить между колонками Formation Duo или в окрестности одной из них. Размещение Formation Bass сбоку, но все же перед слушателями, является приемлемым компромиссом, если так диктуют домашние условия. Formation Bass не следует располагать за местом для прослушивания. На Диаграмме 1 показано расположение сабвуфера.

Примечание: будьте осторожны при обращении с сабвуфером, чтобы не повредить диффузоры басовых драйверов, расположенных в торцах корпуса.

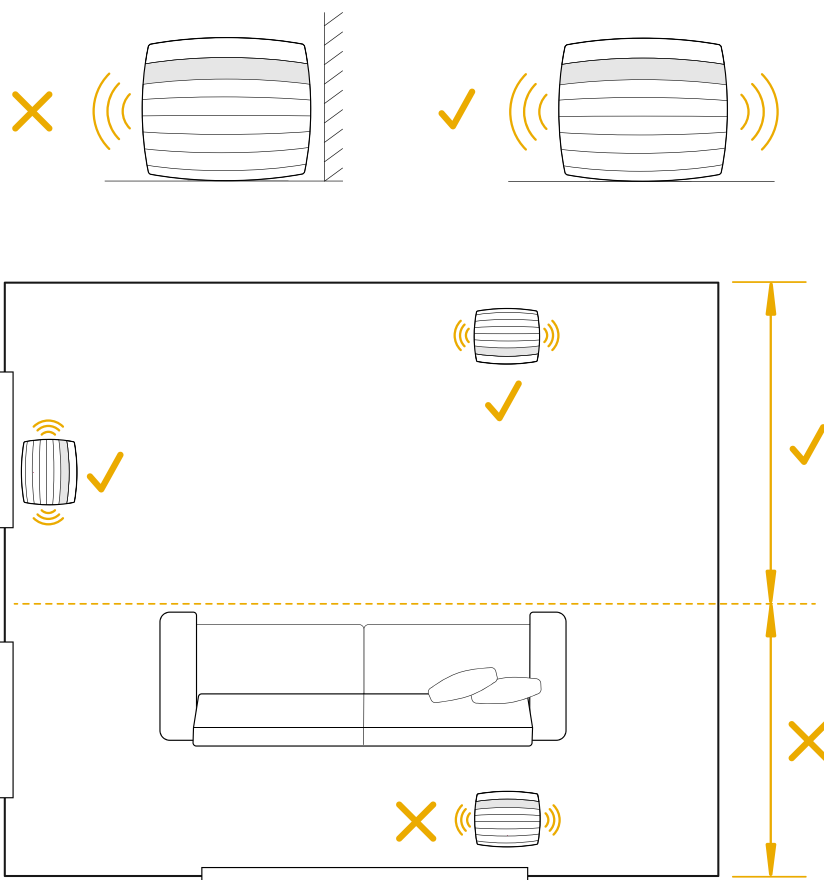


Диаграмма 1
Размещение сабвуфера

Подключения


В дополнение к сетевой розетке **2**, Formation Bass имеет входной разъем Ethernet **1** для подключения к роутеру – в случае выбора проводного соединения вместо Wi-Fi.

Примечание: разъем USB, расположенный на задней панели Formation Bass, предназначен только для сервисного и диагностического использования. Он не может быть использован для каких-либо других целей.

Formation Bass не имеет проводных аудио соединений и конфигурирует себя автоматически во время процесса настройки, чтобы получить доступ к сетевым аудио потокам и, соответственно, усилить бас, в зависимости от характеристик колонки – партнера. Если в качестве партнера выбран саундбар Formation Bar, Formation Bass автоматически переключится на воспроизведение канала низкочастотных эффектов (LFE) из материала, закодированного в Dolby Surround.

Включение и выключение

После выполнения всех подключений и запуска приложения Bowers & Wilkins Home, установленного на вашем мобильном устройстве, ваш Formation Bass готов к настройке и использованию. Formation Bass не имеет сетевого выключателя питания и поэтому после короткой процедуры запуска, начнет работать, как только будет подключен к сети питания. Он выдаст звуковое приглашение, когда его процедура запуска будет завершена.

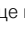
Когда Formation Bass, который ранее не использовался, включается первый раз, он автоматически переходит в режим настройки, чтобы задать подключение к вашей домашней сети и к любым другим доступным устройствам семейства Formation. Режим настройки индицируется медленным миганием оранжевой импульсной подсветки сенсорной кнопки Formation . При этом Formation Bass появится также в приложении Bowers & Wilkins Home, доступном для настройки, либо на начальной странице приложения, либо после выбора опции 'Add Formation product' – "Добавить продукт Formation" на странице настроек приложения.

Ваш Formation Bass управляет своим рабочим состоянием и энергопотреблением полностью автоматически и переключается в режим энергосбережения после двадцати минут бездействия. Вообще нет необходимости когда-либо выключать Formation Bass, однако если вы хотите сделать это, просто отключил его от сети питания. Ваш Formation Bass сохранит свои настройки и без сетевого питания.

Можно перезапустить Formation Bass кратким нажатием и отпусканием кнопки reset, расположенной на задней панели **3**. При нажатии этой кнопки Formation Bass выключится и включится вновь. Все настройки при таком перезапуске сохраняются. Кроме того, перезапустить Formation Bass можно на странице настроек приложения Bowers & Wilkins Home app – Settings.


Если же вы хотите сбросить все настройки Formation Bass к их значениям по умолчанию, нажмите и удержите кнопку reset в течение 5 секунд. После сброса, ваша Formation Bass снова войдет в режим настройки. При таком сбросе все ваши настройки Formation Bass будут стерты. Кроме того, сбросить все настройки Formation Bass можно на странице настроек приложения Bowers & Wilkins Home app – Settings.

Сетевые настройки

• Когда Formation Bass находится в режиме настройки, и подсветка его кнопки Form , медленно пульсирует оранжевым цветом, запустите приложение Bowers & Wilkins Home на вашем устройстве iOS или Android. Приложение будет направлять вас подсказками в ходе процесса настройки.

Примечание: Formation Bass использует Bluetooth-соединение с устройством, на котором работает приложение Bowers & Wilkins Home, во время процесса установки. Сигналы Bluetooth имеют относительно малую зону охвата и могут быть блокированы границами комнаты, поэтому мы рекомендуем, чтобы ваше устройство Formation Bass и устройство с приложением Bowers & Wilkins Home app оставались в непосредственной близости во время процесса настройки.

• Приложение Bowers & Wilkins Home в режиме настройки сначала будет искать продукты Formation и отображать экран, приглашающий сделать выбор одного из них. Кликните нужную иконку, чтобы выбрать Formation Bass. Если вы уже настроили Formation Bass и добавляете дополнительное устройство, выберите 'Add Formation product' – "Добавить продукт Formation" в меню настроек приложения.

• Приложение Bowers & Wilkins Home затем предложит вам назвать "пространство" (Space), в котором будет использоваться ваша Formation Bass. Список типов пространств (Space) по умолчанию предоставляется, но вы также можете создать свой собственный тип. Когда вы выбрали или создали наименование пространства, приложение попросит вас нажать кнопку Form  на верхней панели вашего Formation Bass, чтобы подтвердить выбор.

• Если необходимо использовать беспроводное сетевое подключение для вашего Formation Bass, то на следующем этапе настройки он будет подключен к домашней сети WiFi. Приложение попросит вас подтвердить правильную сеть WiFi и попросит вас ввести свой пароль. Кроме того, если Formation Bass подключен к сетевому маршрутизатору с помощью кабеля Ethernet, этот этап процесса установки будет пропущен.

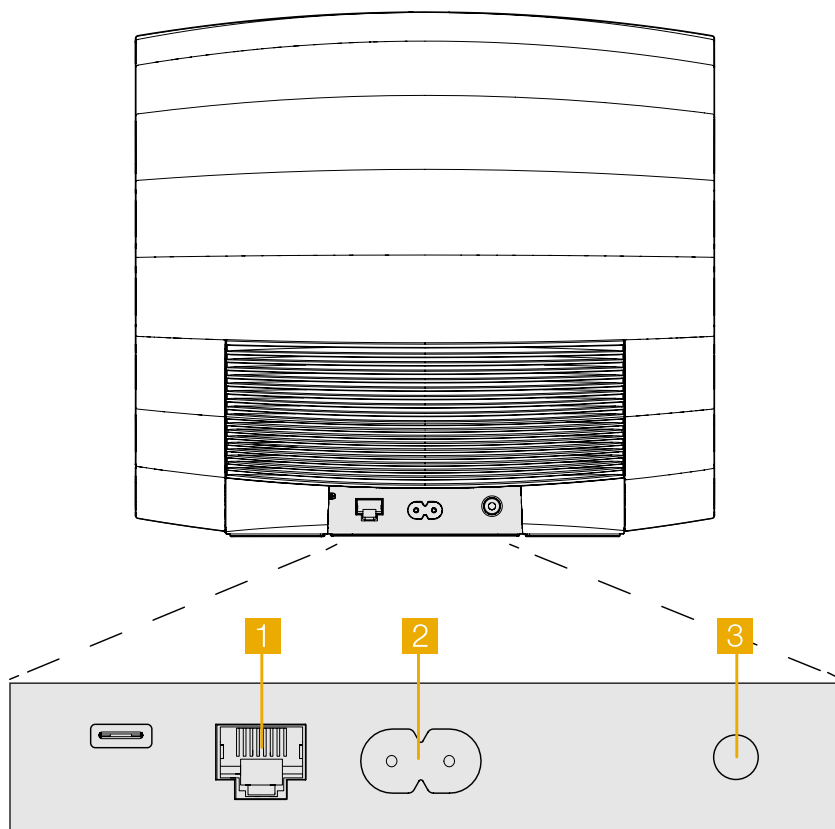


Диаграмма 2
Задняя панель Formation Bass

Примечание: Если у вас уже есть другие продукты Formation, подключенные к вашей сети WiFi, процедура настройки не потребует ввода пароля для WiFi.

- После конфигурации сети WiFi и полного выбора окружающего пространства Space ваш Formation Bass готов к использованию. Ваш Formation Bass выдаст звуковое приглашение для подтверждения успешной настройки.

3. Использование Formation Bass

Основы

После установки и настройки, ваш сабвуфер Formation Bass будет работать полностью автоматически. Единственная настройка, которую возможно потребуется сделать – это громкость сабвуфера относительно колонки – партнера. Это зависит от ваших личных предпочтений и акустических свойств комнаты для прослушивания. Чтобы настроить громкость Formation bass, откройте приложение Bowers & Wilkins Formation и нажмите на значок настроек, чтобы открыть меню. Теперь нажмите на кнопку "Formation bass", чтобы открыть страницу настроек и используйте ползунки громкости для внесения изменений.

Примечание: пожалуйста, помните, что ваш сабвуфер Formation Bass способен выдать такой уровень громкости низких частот, который может вызвать неприятные ощущения. В таком случае следует снизить громкость басов

Пространства – Spaces

Пространства (Spaces) – это ключевая концепция семейства продуктов Formation. Для Formation "space" – это комната или отдельная зона в вашем доме, в которой вы слушаете музыку. В каждом Пространстве (Space) могут быть установлены различные комбинации продуктов Formation. Список возможных конфигураций представлен на Диаграмме 3.

Подсветка кнопки Form

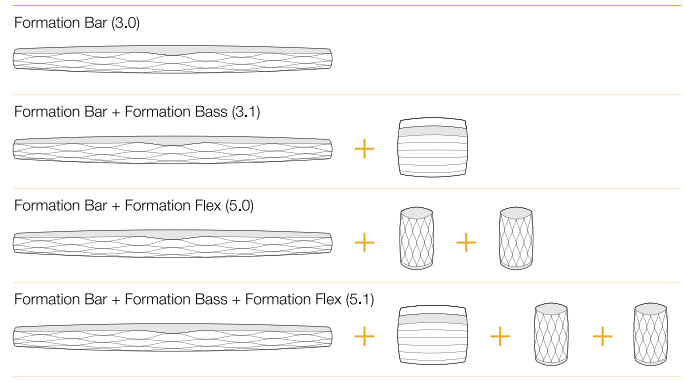
Подсветка кнопки Form изменяется для указания различных рабочих состояний. Режимы индикации представлены на Диаграмме 4.

4. Приложение Bowers & Wilkins Home App

Когда ваша Formation Bass настроен и подключен к вашей сети, на главном экране открывается приложение Bowers & Wilkins Home, где будет указано пространство (Space) Formation Bass и любые другие доступные пространства семейства Formation.

Нажмите на пространство (Space) Formation, чтобы выбрать один из доступных потоков или входов. Если нет доступных потоков, откройте потоковое приложение, например Spotify, и выберите элемент для воспроизведения, а затем выберите пространство Formation Space из списка доступных устройств воспроизведения. Теперь, когда вы вернетесь в приложение Bowers & Wilkins Home, поток Spotify будет указан на странице пространства (Space) Formation Bass.

Конфигурации TV Space



Конфигурации Music Space

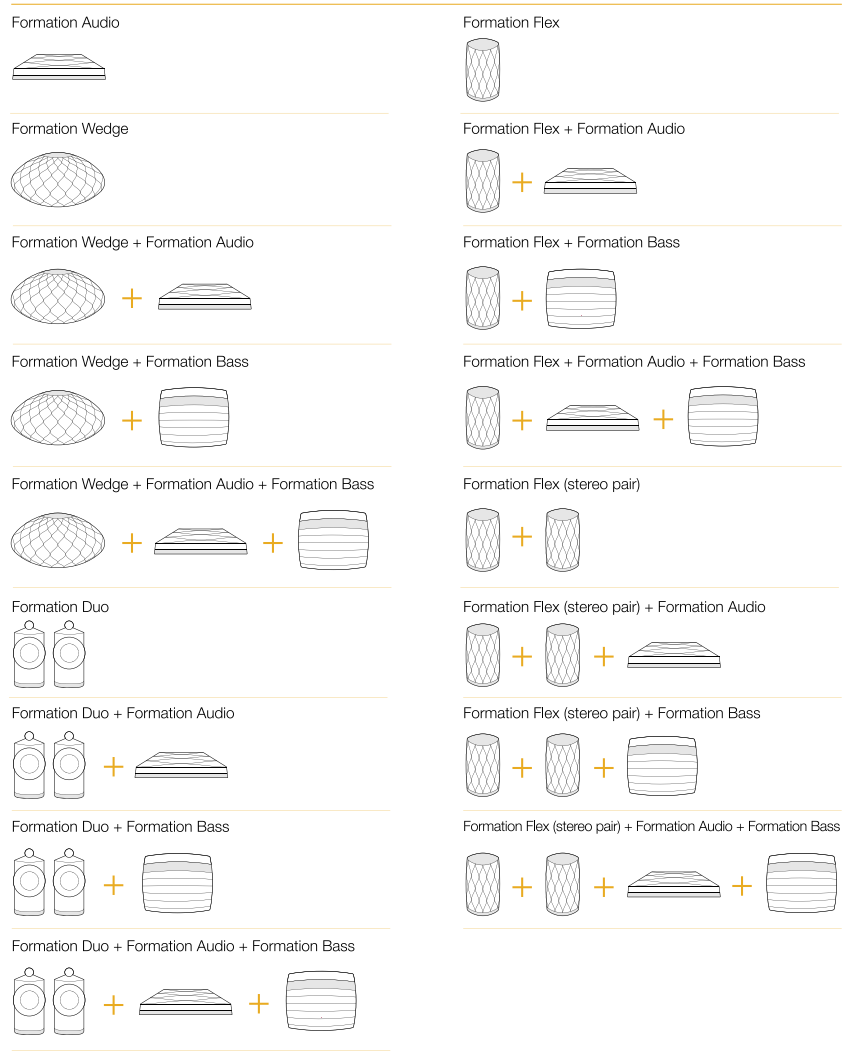


Диаграмма 3
Конфигурации пространств (Space)

Домашняя страница приложения Bowers & Wilkins Home имеет значок настроек Settings в правом верхнем углу. Нажмите на этот значок, чтобы открыть меню настроек Settings приложения. Меню Settings содержит параметры для настройки и сброса устройств Formation и переименования пространств Formation. Обновления прошивки приложений и устройств Formation также инициируются из меню настроек Settings.

Поиск вашего пути в приложении Bowers & Wilkins Home

Приложение Bowers & Wilkins Home будет искать доступные пространства (Space) Formation при открытии, а затем отображать свою домашнюю страницу со списком пространств (Space).

Под каждым пространством (Space) приложение будет отображать свою текущую активность. Нажатие на активное пространство откроет экран "now playing" ("сейчас играет"), который позволяет регулировать громкость и запускать воспроизведение/паузу.

Экран "now playing" также предоставляет опцию 'Available Spaces' ("доступные пространства"), которая позволяет потоку, воспроизводимому в выбранном пространстве, перенестись в другое пространство или воспроизводиться в нескольких пространствах. Экран 'Available Spaces' ("доступные пространства") предоставляет также возможность управлять громкостью, как глобально во всех пространствах, так и в отдельных пространствах.

Страница настроек Settings приложения Bowers & Wilkins Home открывается нажатием на значок настроек. В меню первоначальных настроек перечислены каждое из пространств и количество устройств Formation, присутствующих в каждом из них.

Нажатие на пространство, указанное в меню настроек Settings, обеспечивает доступ к его настройкам и настройкам устройства Formation. Коснитесь имени пространства, чтобы получить доступ к его настройкам, или коснитесь имени устройства, чтобы получить доступ к его настройкам. Доступные настройки будут зависеть от конкретного устройства.

Примечание: если на значке Settings в приложении Bowers & Wilkins Home отображается желтая точка – это означает, что имеется обновление прошивки для Formation. Процесс обновления прошивки ПО запускается из меню настроек Settings. Вы всегда должны стремиться поддерживать приложение Bowers & Wilkins Home и ваши устройства Formation в актуальном состоянии – с последней версией и прошивкой. Это не только поможет обеспечить наиболее надежную работу, но и обеспечит вам получение преимуществ от новых функций Formation.

5. Очистка

Если для вашего Formation Bass потребуется очистка, протрите его поверхность чистой тканью без ворса, а защитную решетку очистите мягкой щеткой. Если же вы захотите использовать чистящую жидкость, то наносите ее на протирочную ткань, а не на корпус Formation Bass. Испробуйте его сначала на небольшом участке поверхности, т.к. некоторые моющие вещества могут повреждать отделку. Избегайте применения жидкостей с абразивными частицами, содержащих кислоту или щелочь, а также антибактериальные вещества.

6. Поддержка

Если вам требуется помощь или совет для владельцев Formation Bass пожалуйста, посетите сайт поддержки Formation www.bowerswilkins.com/support.

Экологическая информация

Этот продукт соответствует международным директивам, включая, но не ограничиваясь ограничением опасных веществ (Restriction of Hazardous Substances – RoHS) в электрическом и электронном оборудовании, регистрации, оценке, авторизации и ограничениям на использование химических веществ (REACH) и удаление отходов электрического и электронного оборудования (WEEE). Проконсультируйтесь с вашим местным органом по утилизации отходов для получения рекомендаций о том, как правильно рециклировать или утилизировать этот продукт.

Индикация	Рабочее состояние
Мигающая белая	Процедура запуска
Пульсирующая желтая	Готовность к настройке
Мигающая желтая	Идет процедура обновления ПО
Пульсирующая белая	Идет прием аудио
Пульсирующая красная	Ошибка – свяжитесь со службой поддержки
Постоянная красная	Ошибка – свяжитесь со службой поддержки
Мигающая красная	Идет сброс к заводским установкам

Диаграмма 4
Индикация режимов подсветкой кнопки Form

Καλωσορίσατε στην Bowers & Wilkins και το Formation Bass.

Ευχαριστούμε που επιλέξατε το Formation. Ο John Bowers ίδρυσε την Bowers & Wilkins με την πεποίθηση ότι η ευφάνταστη σχεδίαση, η καινοτομία στην ανάπτυξη και η εξελιγμένη τεχνολογία θα ήταν τα κλειδιά που θα άνοιγαν νέους κόσμους απόλαυσης του ήχου στο σπίτι. Αυτή η πίστη συνεχίζει να εμπνέει κάθε προϊόν που σχεδιάζουμε και το Formation αποτελεί την πιο εξελιγμένη της έκφανση μέχρι τώρα.

Το Formation Bass είναι ένα συνδεδεμένο σε δίκτυο, ασύρματο υπογούφερ που έχει σχεδιαστεί για να παρέχει ενίσχυση χαμηλών συχνοτήτων εξαιρετικά υψηλής απόδοσης για ηχεία Formation Duo, Formation Wedge και Formation Bar. Το Formation Bass διαμορφώνεται και ελέγχεται με χρήση της εφαρμογής Bowers & Wilkins Home. Η εφαρμογή είναι διαθέσιμη για συσκευές με λειτουργικό σύστημα iOS και Android. Η εγκατάσταση και η διαμόρφωση ενός Formation Bass είναι δυνατή μόνο με χρήση της εφαρμογής Bowers & Wilkins Home.

Το Formation Bass θα σας επιτρέπει να κάνετε τα εξής:

- Να ενισχύσετε την απόδοση χαμηλών συχνοτήτων των ηχείων Formation Duo, Wedge και Bar.

Για να συνδέσετε το Formation Bass στο οικιακό σας δίκτυο και για να πραγματοποιήσετε σύνδεση με άλλα προϊόντα Formation στο σπίτι σας, απαιτείται η εφαρμογή Bowers & Wilkins Home. Η εφαρμογή Bowers & Wilkins Home παρέχει επίσης ορισμένες λειτουργίες ελέγχου και διαμόρφωσης κατά τη χρήση. Προτού αρχίσετε την εγκατάσταση του Formation Bass, κάντε λήψη και εγκατάσταση της εφαρμογής Bowers & Wilkins Home στη συσκευή σας με iOS ή Android. Η εφαρμογή Bowers & Wilkins Home χρειάζεται iOS V11.4 ή νεότερη έκδοση, ή Android V8.1 ή νεότερη έκδοση. Οι υπηρεσίες Bluetooth και WiFi πρέπει να είναι ενεργοποιημένες στη συσκευή σας με iOS ή Android. Θα πρέπει επίσης να γνωρίζετε τον κωδικό πρόσβασης του δικτύου WiFi.

Σημείωση: Οι υπηρεσίες τοποθεσίας πρέπει να είναι ενεργοποιημένες στις συσκευές Android κατά τη διάρκεια της διαδικασίας ρύθμισης του Formation. Αυτό πρέπει να γίνεται επειδή τα προϊόντα Formation χρησιμοποιούν μια μορφή χαμηλής ισχύος του Bluetooth (BT-LE) για την επικοινωνία υπηρεσιών, η οποία είναι ενεργή στις συσκευές Android μόνο όταν είναι ενεργοποιημένες οι υπηρεσίες τοποθεσίας. Η Bowers & Wilkins δεν χρησιμοποιεί δεδομένα υπηρεσιών τοποθεσίας για σκοπούς μάρκετινγκ.

1. Περιεχόμενα συσκευασίας Formation Bass

Formation Bass

Σετ καλωδίου ρεύματος κατάλληλο για την περιοχή σας

Πακέτο εντύπων τεκμηρίωσης

2. Εγκατάσταση του Formation Bass

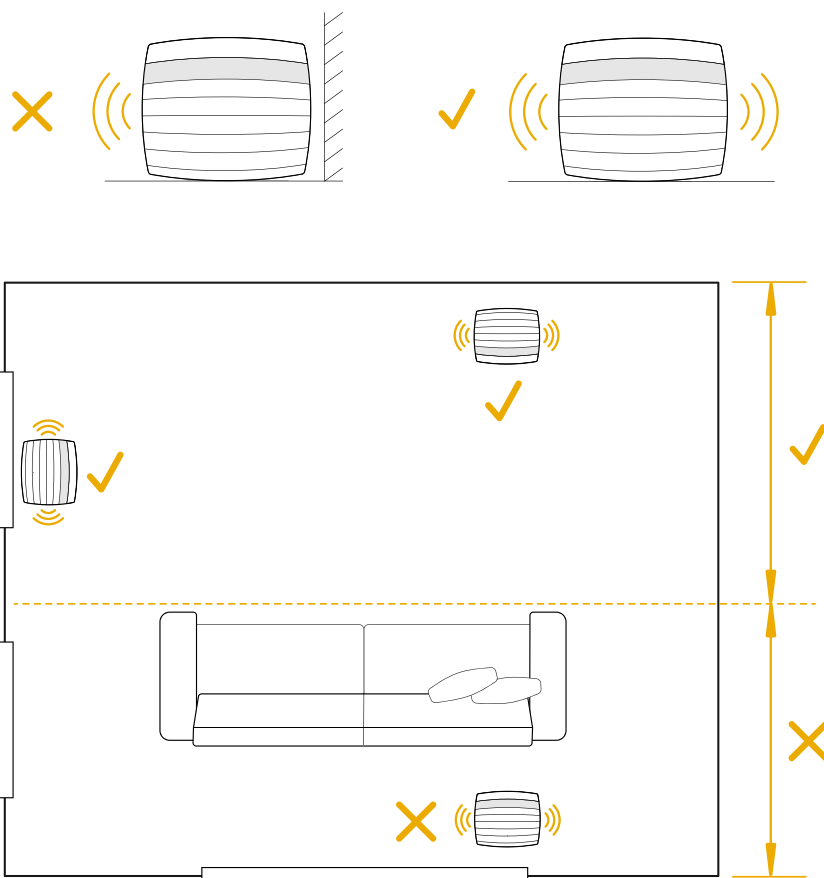
Θέση

Το Formation Bass χρειάζεται μια παροχή ρεύματος για να λειτουργεί, οπότε πρέπει να βρίσκεται κοντά σε μια πρίζα ρεύματος. Αν το ηχείο Formation Bass θα χρησιμοποιεί μια ενσύρματη σύνδεση με το οικιακό σας δίκτυο, θα πρέπει να βρίσκεται κοντά σε ένα κατάλληλο καλώδιο δικτύου (Ethernet).

Το ηχείο Formation Bass θα πρέπει να τοποθετηθεί στο δάπεδο, αρκετά κοντά στο ηχείο Formation με το οποίο θα συνδυαστεί. Στην περίπτωση ενός Formation Wedge ή Formation Bar, η τοποθέτηση του υπογούφερ ακριβώς κάτω από το ηχείο ή τουλάχιστον δίπλα σε έναν κοινό τοίχο είναι πιθανό να παρέχει τα καλύτερα αποτελέσματα.

Στην περίπτωση που συνδυαστεί ένα Formation Bass με ένα ζεύγος ηχείων Formation Duo, τα καλύτερα αποτελέσματα είναι πιθανό να επιτευχθούν αν το Formation Bass τοποθετηθεί ανάμεσα στα ηχεία Formation Duo ή κοντά σε ένα από αυτά. Η τοποθέτηση ενός Formation Bass στο πλάι, αλλά και πάλι μπροστά από τους ακροατές, είναι ένας αποδεκτός συμβιβασμός αν είναι αναγκαίος λόγω του οικιακού περιβάλλοντος. Το Formation Bass δεν θα πρέπει να τοποθετείται πίσω από τη θέση ακρόασης. Το διάγραμμα 1 απεικονίζει την τοποθέτηση του υπογούφερ.

Σημείωση: Προσέχετε κατά τον χειρισμό του Formation Bass, για να μην προκαλέσετε ζημιά στα διαφράγματα οδήγησης που βρίσκονται στο κάθε άκρο του περιβλήματός του.



Διάγραμμα 1
Τοποθέτηση

Συνδέσεις


Εκτός από την υποδοχή ρεύματος **2**, το Formation Bass διαθέτει μια υποδοχή Ethernet **1** για σύνδεση σε έναν δρομολογητή, σε περίπτωση που προτιμηθεί ενσύρματη σύνδεση δικτύου αντί για ασύρματη σύνδεση (WiFi).

Σημείωση: Η υποδοχή USB που βρίσκεται στο πίσω μέρος του Formation Bass προορίζεται μόνο για σέρβις και διαγνωστικό έλεγχο. Δεν μπορεί να χρησιμοποιηθεί για κανέναν άλλο σκοπό.

Το Formation Bass δεν διαθέτει ενσύρματες συνδέσεις ήχου και θα διαμορφωθεί αυτόματα κατά τη διάρκεια της διαδικασίας ρύθμισης, για να προσπελάσει τις ροές ήχου του δικτύου και να ενισχύσει καταλλήλως τα μπάσα, ανάλογα με τα χαρακτηριστικά του ηχείου με το οποίο έχει συνδυαστεί. Όταν έχει συνδυαστεί με ένα Formation Bar, το Formation Bass θα αναπαράγει αυτόματα το κανάλι εφέ χαμηλών συχνοτήτων (LFE) των κωδικοποιημένων δεδομένων Dolby Surround.

Ενεργοποίηση και απενεργοποίηση

Αφού γίνουν όλες οι συνδέσεις και εγκατασταθεί στη φορητή συσκευή σας η εφαρμογή Bowers & Wilkins Home, το Formation Bass είναι έτοιμο για ρύθμιση. Το Formation Bass δεν διαθέτει διακόπτη λειτουργίας και, μετά από μια σύντομη ρουτίνα εκκίνησης, θα είναι σε κατάσταση λειτουργίας μόλις συνδεθεί στην παροχή ρεύματος. Όταν ολοκληρωθεί η ρουτίνα εκκίνησης, θα αναπαράγει ένα ηχητικό σήμα.

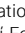
Όταν ένα Formation Bass που δεν έχει χρησιμοποιηθεί προηγουμένως ενεργοποιηθεί για πρώτη φορά, θα εισέλθει αυτόματα στη λειτουργία ρύθμισης για να ενεργοποιήσει τη σύνδεσή του με το οικιακό σας δίκτυο και με οποιοδήποτε άλλες διαθέσιμες συσκευές Formation. Η λειτουργία ρύθμισης υποδεικνύεται από έναν αργό παλμικό φωτισμό του κουμπιού αφής Form  με πορτοκαλί χρώμα. Το Formation Bass θα εμφανίζεται επίσης στην εφαρμογή Bowers & Wilkins Home ως διαθέσιμο για ρύθμιση, αφού επιλέξετε «Add Formation product» (Προσθήκη προϊόντος Formation) από τη σελίδα ρυθμίσεων της εφαρμογής.

Το Formation Bass διαχειρίζεται την κατάσταση λειτουργίας και την κατανάλωση ενέργειάς του εντελώς αυτόματα και θα μεταβεί σε λειτουργία εξοικονόμησης ενέργειας μετά από είκοσι λεπτά αδράνειας. Δεν χρειάζεται να απενεργοποιήσετε ποτέ το Formation Bass, ωστόσο, αν θέλετε να το κάνετε, απλά αποσυνδέστε το από την παροχή ρεύματος. Το Formation Bass θα διατηρήσει τις ρυθμίσεις του χωρίς παροχή ρεύματος.

Μπορείτε να επανεκκινήσετε ένα ηχείο Formation Bass πατώντας για λίγο και αφήνοντας το κουμπί επαναφοράς που βρίσκεται στο πίσω μέρος του **3**. Με το πάτημα του κουμπιού, το Formation Bass θα απενεργοποιηθεί και θα ενεργοποιηθεί ξανά. Όλες οι ρυθμίσεις διατηρούνται όταν επανεκκινείτε το Formation Bass. Μπορείτε επίσης να επανεκκινήσετε το Formation Bass μέσω της σελίδας ρυθμίσεων της εφαρμογής Bowers & Wilkins Home.

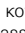
Αν θέλετε να επαναφέρετε το Formation Bass στις προεπιλεγμένες του ρυθμίσεις, πατήστε και κρατήστε πατημένο το κουμπί επαναφοράς για πέντε δευτερόλεπτα. Αφού επανεκκινήσει, το Formation Bass θα εισέλθει στη λειτουργία ρύθμισης. Όλες οι ρυθμίσεις διαγράφονται όταν επαναφέρετε το Formation Bass. Μπορείτε επίσης να επαναφέρετε το Formation Bass μέσω του μενού ρυθμίσεων της εφαρμογής Bowers & Wilkins Home.

Ρύθμιση δικτύου

• Με το Formation Bass στη λειτουργία ρύθμισης, με το κουμπί Form  να αναβοσβήνει αργά με πορτοκαλί χρώμα, εκκινήστε την εφαρμογή Bowers & Wilkins Home στη συσκευή σας με iOS ή Android. Η εφαρμογή θα σας καθοδηγήσει με μηνύματα προτροπής στη διαδικασία ρύθμισης.

Σημείωση: Το Formation Bass χρησιμοποιεί μια σύνδεση Bluetooth με τη συσκευή που εκτελεί την εφαρμογή Bowers & Wilkins Home κατά τη διάρκεια της διαδικασίας ρύθμισης. Τα σήματα Bluetooth έχουν σχετικά μικρή εμβέλεια και μπορούν να εμποδιστούν από τους τοίχους των δωματίων, οπότε συνιστούμε το Formation Bass και η συσκευή με την εφαρμογή Bowers & Wilkins Home να παραμένουν κοντά μεταξύ τους κατά τη διάρκεια της διαδικασίας ρύθμισης.

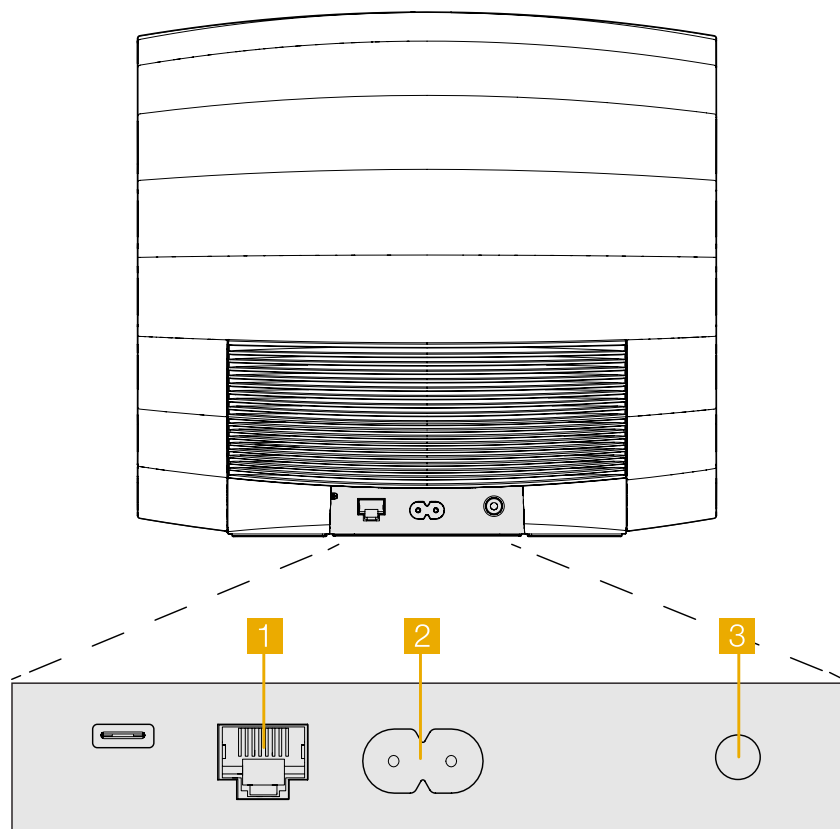
• Η εφαρμογή Bowers & Wilkins Home θα αναζητήσει πρώτα προϊόντα Formation σε λειτουργία ρύθμισης και θα εμφανίσει μια οθόνη που σας ζητά να επιλέξετε ένα από αυτά. Πατήστε στο δικό σας Formation Bass για να το επιλέξετε. Αν έχετε ήδη ρυθμίσει ένα προϊόν Formation και προσθέσετε ένα ακόμα, επιλέξτε «Add Formation product» (Προσθήκη προϊόντος Formation) από το μενού ρυθμίσεων της εφαρμογής.

• Στη συνέχεια, η εφαρμογή Bowers & Wilkins Home θα σας ζητήσει να ονομάσετε τον «χώρο» στον οποίο θα χρησιμοποιηθεί το Formation Bass. Παρέχεται μια λίστα προεπιλεγμένων ονομάτων χώρων, αλλά μπορείτε επίσης να δημιουργήσετε το δικό σας. Αφού επιλέξετε ή δημιουργήσετε ένα όνομα χώρου, η εφαρμογή θα σας ζητήσει να πατήσετε το κουμπί Form  στο επάνω μέρος του Formation Bass για να επιβεβαιώσετε την επιλογή.

• Αν θα χρησιμοποιηθεί μια ασύρματη σύνδεση δικτύου για το Formation Bass, το επόμενο στάδιο της διαδικασίας ρύθμισης θα συνδέσει το Formation Bass στο οικιακό σας δίκτυο WiFi. Η εφαρμογή θα σας ζητήσει να επιβεβαιώσετε το σωστό δίκτυο WiFi και θα σας ζητήσει να εισάγετε τον κωδικό πρόσβασής του. Εναλλακτικά, αν συνδέσετε το Formation Bass στον δρομολογητή δικτύου σας χρησιμοποιώντας ένα καλώδιο Ethernet, αυτό το στάδιο της διαδικασίας ρύθμισης θα παρακαμφθεί.

Σημείωση: Αν έχετε συνδέσει ήδη άλλα προϊόντα Formation στο δίκτυο WiFi, δεν θα χρειαστεί να εισάγετε τον κωδικό πρόσβασης του δικτύου WiFi κατά τη ρύθμιση του Formation Bass.

• Εφόσον έχει ολοκληρωθεί η διαμόρφωση του δικτύου WiFi και η επιλογή χώρου, το Formation Bass είναι έτοιμο για χρήση. Το Formation Bass θα αναπαράγει ένα ηχητικό σήμα για να επιβεβαιώσει την επιτυχή ρύθμιση.



Διάγραμμα 2
Πίσω μέρος του Formation Bass

3. Χρήση του Formation Bass

Τα βασικά στοιχεία

Αφού εγκατασταθεί και διαμορφωθεί, το Formation Bass θα λειτουργεί εντελώς αυτόματα. Η μόνη ρύθμιση που ενδέχεται να χρειαστεί να κάνετε είναι αυτή της έντασης ήχου του υπογούφερ, σε σχέση με το ηχείο Formation με το οποίο έχει συνδυαστεί. Αυτό θα εξαρτάται από τις προσωπικές σας προτιμήσεις και τα ακουστικά χαρακτηριστικά του δωματίου ακρόασης. Για να ρυθμίσετε την ένταση ήχου του Formation Bass, ανοίξτε την εφαρμογή Bowers & Wilkins Formation και πατήστε το εικονίδιο ρυθμίσεων για να ανοίξετε το μενού ρυθμίσεων. Τώρα, πατήστε στο «Formation Bass» για να ανοίξετε τη σελίδα ρυθμίσεων του και χρησιμοποιήστε το ρυθμιστικό για να ρυθμίσετε την ένταση του ήχου.

Σημείωση: Να θυμάστε ότι το υπογούφερ Formation Bass έχει τη δυνατότητα να αποδίδει στάθμες έντασης ήχου χαμηλών συχνοτήτων που μπορούν να ενοχλήσουν. Αν έχετε αμφιβολίες, μειώστε την ένταση του ήχου.

Χώροι

Οι χώροι είναι μια κεντρική έννοια της σειράς προϊόντων Formation. Ο «χώρος» Formation είναι ένα δωμάτιο ή ένα συγκεκριμένο μέρος στο σπίτι σας, στο οποίο ακούτε μουσική. Κάθε χώρος μπορεί να περιλαμβάνει διαφορετικούς συνδυασμούς προϊόντων Formation. Οι πιθανές διαμορφώσεις εμφανίζονται στο Διάγραμμα 3.

Φωτισμός κουμπιού Form

Ο φωτισμός του κουμπιού Form στο Formation Bass αλλάζει, για να υποδείξει διάφορες καταστάσεις λειτουργίας. Ο φωτισμός περιγράφεται στο Διάγραμμα 4.

4. Η εφαρμογή Bowers & Wilkins Home

Με το Formation Bass διαμορφωμένο και συνδεδεμένο στο δίκτυό σας, η εφαρμογή Bowers & Wilkins Home θα ανοίξει στην αρχική οθόνη της, όπου θα παρατίθεται ο χώρος του Formation Bass και οποιοδήποτε άλλο διαθέσιμο χώρος Formation.

Πατήστε σε έναν χώρο Formation, για να επιλέξετε ανάμεσα σε οποιεσδήποτε διαθέσιμες ροές ή εισόδους. Αν δεν υπάρχουν διαθέσιμες ροές, ανοίξτε μια εφαρμογή ροής ήχου, για παράδειγμα το Spotify, επιλέξτε ένα στοιχείο για αναπαραγωγή και, στη συνέχεια, επιλέξτε τον χώρο Formation από τη λίστα των διαθέσιμων συσκευών αναπαραγωγής. Τώρα, όταν επιστρέψετε στην εφαρμογή Bowers & Wilkins Home, η ροή Spotify θα εμφανίζεται στη σελίδα χώρου του Formation Bass.

Η αρχική σελίδα της εφαρμογής Bowers & Wilkins Home έχει ένα εικονίδιο ρυθμίσεων στην επάνω δεξιά γωνία. Πατήστε το εικονίδιο για να ανοίξετε το μενού ρυθμίσεων της εφαρμογής. Το μενού ρυθμίσεων παρέχει επιλογές για να διαμορφώσετε και να επαναφέρετε τις δικές σας συσκευές Formation και να μετονομάσετε τους χώρους Formation. Οι ενημερώσεις της εφαρμογής και του υλικολογισμικού συσκευών Formation εκκινούνται επίσης από το μενού ρυθμίσεων.

Περιήγηση στην εφαρμογή Bowers & Wilkins Home

Η εφαρμογή Bowers & Wilkins Home θα αναζητήσει διαθέσιμους χώρους Formation όταν ανοιχτεί και, στη συνέχεια, θα εμφανίσει την αρχική σελίδα της με τους χώρους να παρατίθενται.

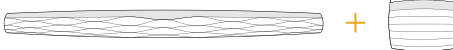
Κάτω από κάθε χώρο, η εφαρμογή θα εμφανίζει την τρέχουσα δραστηριότητά του. Με το πάτημα σε έναν ενεργό χώρο θα ανοίξει μια οθόνη «αναπαραγωγή σε εξέλιξη», η οποία επιτρέπει έλεγχο έντασης ήχου και αναπαραγωγής/παύσης.

Διαμορφώσεις χώρου τηλεόρασης

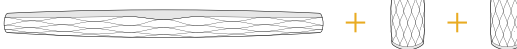
Formation Bar (3.0)



Formation Bar + Formation Bass (3.1)



Formation Bar + Formation Flex (5.0)



Formation Bar + Formation Bass + Formation Flex (5.1)



Διαμορφώσεις χώρου μουσικής

Formation Audio



Formation Wedge



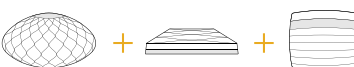
Formation Wedge + Formation Audio



Formation Wedge + Formation Bass



Formation Wedge + Formation Audio + Formation Bass



Formation Duo



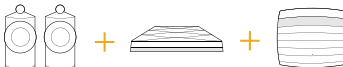
Formation Duo + Formation Audio



Formation Duo + Formation Bass



Formation Duo + Formation Audio + Formation Bass



Formation Flex



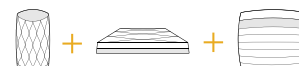
Formation Flex + Formation Audio



Formation Flex + Formation Bass



Formation Flex + Formation Audio + Formation Bass



Formation Flex (ζεύγος στερεοφωνικών ηχείων)



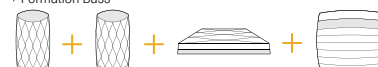
Formation Flex (ζεύγος στερεοφωνικών ηχείων) + Formation Audio



Formation Flex (ζεύγος στερεοφωνικών ηχείων) + Formation Bass



Formation Flex (ζεύγος στερεοφωνικών ηχείων) + Formation Audio + Formation Bass



Διάγραμμα 3
Διαμορφώσεις χώρου

Η οθόνη «αναπαραγωγή σε εξέλιξη» παρέχει επίσης μια επιλογή «Available Spaces» (Διαθέσιμοι χώροι), η οποία επιτρέπει στη ροή που αναπαράγεται στον επιλεγμένο χώρο να μεταφερθεί σε άλλο χώρο ή να αναπαραχθεί σε πολλαπλούς χώρους. Η οθόνη «Available Spaces» (Διαθέσιμοι χώροι) παρέχει επίσης τη δυνατότητα ελέγχου της έντασης ήχου, τόσο γενικά σε όλους τους χώρους όσο και σε μεμονωμένους χώρους.

Η σελίδα ρυθμίσεων της εφαρμογής Bowers & Wilkins Home ανοίγεται πατώντας το εικονίδιο ρυθμίσεων. Το αρχικό μενού ρυθμίσεων παραθέτει κάθε χώρο και τον αριθμό των συσκευών Formation που υπάρχουν στον καθένα.

Με το πάτημα σε έναν χώρο που παρατίθεται στο μενού ρυθμίσεων, παρέχεται πρόσβαση στις δικές του ρυθμίσεις χώρου και συσκευών Formation. Πατήστε το όνομα του χώρου για να προσπελάσετε τις ρυθμίσεις χώρου και πατήστε το όνομα της συσκευής για να προσπελάσετε τις ρυθμίσεις συσκευής. Οι ρυθμίσεις συσκευής που είναι διαθέσιμες θα εξαρτώνται από την εκάστοτε συσκευή.

Σημείωση: Αν το εικονίδιο ρυθμίσεων στην εφαρμογή Bowers & Wilkins Home εμφανίζεται με μια κίτρινη κουκκίδα (εικονίδιο + κουκκίδα), αυτό υποδεικνύει ότι είναι διαθέσιμη μια ενημέρωση υλικολογισμικού Formation. Η διαδικασία ενημέρωσης υλικολογισμικού εκκινείται από το μενού ρυθμίσεων. Θα πρέπει να φροντίζετε να διατηρείτε την εφαρμογή Bowers & Wilkins Home και τις δικές σας συσκευές Formation ενήμερες με την τελευταία έκδοση υλικολογισμικού. Με αυτόν τον τρόπο, δεν θα διασφαλίσετε μόνο ότι θα έχετε την πιο αξιόπιστη απόδοση, αλλά και ότι θα επωφεληθείτε από νέες δυνατότητες Formation.

5. Καθαρισμός

Σε περίπτωση που το Formation Bass πρέπει να καθαριστεί, μπορείτε να σκουπίσετε την επάνω επιφάνειά του με ένα καθαρό πανί που δεν αφήνει χνούδι και να καθαρίσετε τη γρίλια του με μια μαλακή βούρτσα. Αν θέλετε να χρησιμοποιήσετε οποιοδήποτε υγρό καθαρισμού, απλώστε το στο πανί καθαρισμού και όχι κατευθείαν επάνω στο Formation Bass. Δοκιμάστε πρώτα σε μια μικρή περιοχή, καθώς ορισμένα προϊόντα καθαρισμού ενδέχεται να βλάψουν ορισμένες επιφάνειες. Αποφεύγετε τα λειαντικά προϊόντα ή τα προϊόντα που περιέχουν οξειδωτικούς, αλκαλικούς ή αντιβακτηριδιακούς παράγοντες.

6. Υποστήριξη

Αν χρειαστείτε περισσότερη βοήθεια ή συμβουλές σχετικά με το Formation Bass, επισκεφτείτε την τοποθεσία υποστήριξης του Formation εδώ: www.bowerswilkins.com/support.

Πληροφορίες σχετικά με το περιβάλλον

Αυτό το προϊόν πληροί τις διεθνείς οδηγίες, στις οποίες συγκαταλέγονται, χωρίς περιορισμούς, η οδηγία Restriction of Hazardous Substances (RoHS - Περιορισμός στη χρήση επικίνδυνων ουσιών) για ηλεκτρικό και ηλεκτρονικό εξοπλισμό, η οδηγία Registration, Evaluation, Authorisation and restriction of Chemicals (REACH - Καταχώριση, αξιολόγηση, αδειοδότηση και περιορισμοί των χημικών προϊόντων) και η οδηγία σχετικά με την απόρριψη Waste Electrical and Electronic Equipment (WEEE - Απόβλητα ηλεκτρικού και ηλεκτρονικού εξοπλισμού). Συμβουλευτείτε την τοπική αρχή απόρριψης αποβλήτων για οδηγίες σχετικά με τους τρόπους σωστής ανακύκλωσης ή απόρριψης αυτού του προϊόντος.

Ενδεικτική λυχνία	Κατάσταση λειτουργίας
Αναβοσβήνει με λευκό χρώμα	Εκκίνηση σε εξέλιξη
Αναβοσβήνει αργά με πορτοκαλί χρώμα	Έτοιμο για ρύθμιση
Αναβοσβήνει με πορτοκαλί χρώμα	Ενημέρωση υλικολογισμικού σε εξέλιξη
Αναβοσβήνει αργά με λευκό χρώμα	Λήψη ήχου σε εξέλιξη
Αναβοσβήνει αργά με κόκκινο χρώμα	Σφάλμα - επικοινωνήστε με το τμήμα υποστήριξης
Ανάβει σταθερά με κόκκινο χρώμα	Σφάλμα - επικοινωνήστε με το τμήμα υποστήριξης
Αναβοσβήνει με κόκκινο χρώμα	Επαναφορά εργοστασιακών ρυθμίσεων σε εξέλιξη

Διάγραμμα 4
Φωτισμός κουμπιού Form

Vítejte u Bowers & Wilkins s Formation Bass.

Děkujeme vám, že jste si vybrali produkt Formation. Když John Bowers zakládal společnost Bowers & Wilkins, byl přesvědčen o tom, že nápaditý design, inovativní konstrukce a vyspělé technologie jsou klíčem ke kvalitnímu domácímu poslechu. Toto přesvědčení nás i nadále inspiruje při návrhu každého nového produktu a v produktech Formation je dovedeno k maximální dokonalosti.

Formation Bass je bezdrátový subwoofer s připojením k počítačové síti, sloužící pro rozšíření basového pásma reprosoustav Formation Duo, Formation Wedge a Formation Bar. Konfigurace a ovládání Formation Bass se provádí pomocí aplikace Bowers & Wilkins Home. Tato aplikace je dostupná pro iOS a Android zařízení. Jinou aplikací, než Bowers & Wilkins Home nelze produkt Formation Bass instalovat či konfigurovat.

Formation Bass vám umožňuje:

- Rozšíření reprodukce v oblasti basů u reprosoustav Formation Duo, Formation Wedge a Formation Bar.

Pro připojení Formation Bass do vaší domácí sítě a rovněž pro vytvoření spojení s dalšími produkty Formation ve vaší domácnosti je vyžadována aplikace Bowers & Wilkins Home. Aplikace Bowers & Wilkins Home rovněž nabízí některé ovládací a konfigurační funkce. Před instalací Formation Bass si prosím na vaše zařízení se systémem iOS nebo Android stáhněte a nainstalujte aplikaci Bowers & Wilkins Home. Aplikace Bowers & Wilkins Home vyžaduje iOS V11.4 nebo novější, případně Android V8.1 nebo novější. Na vašem zařízení se systémem iOS nebo Android musí být povoleno Bluetooth a WiFi. Budete rovněž potřebovat heslo k vaší WiFi síti.

Poznámka: V zařízení se systémem Android musí být během procesu instalace produktu Formation povoleny Služby určování polohy. Je tomu tak proto, že produkty Formation používají pro Bluetooth komunikaci verzi s nízkou spotřebou (BT-LE), jenž je na zařízeních se systémem Android zapnuta pouze tehdy, když jsou povoleny Služby určování polohy. Bowers & Wilkins nepoužívá žádná data ze služeb určování polohy pro marketingové účely.

1. Obsah balení Formation Bass

Formation Bass
Síťový napájecí kabel odpovídající vašemu regionu
Balíček dokumentů

2. Instalace Formation Bass

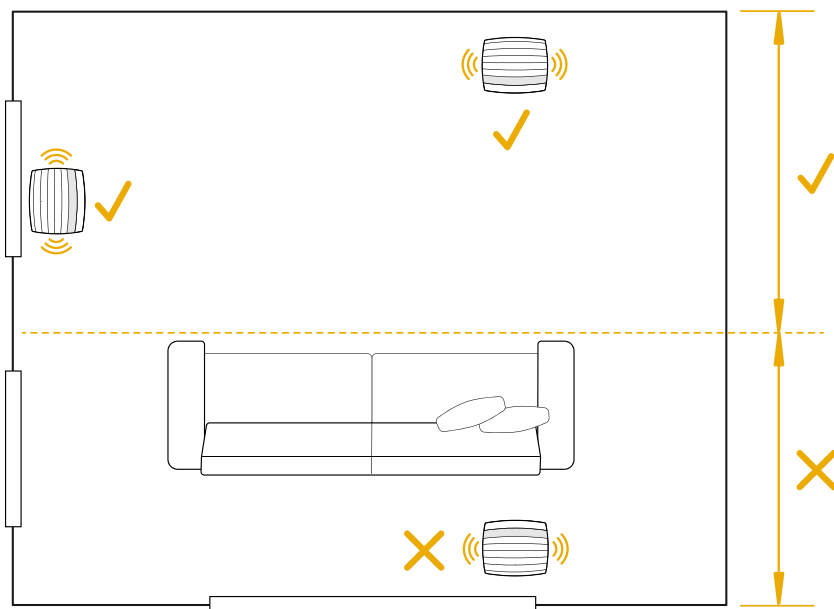
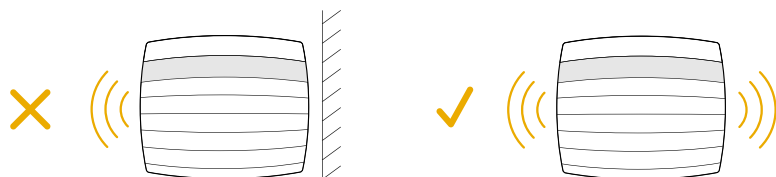
Umístění

Váš Formation Bass vyžaduje připojení k napájení, je tedy třeba jej umístit v dostupnosti elektrické zásuvky. Má-li být subwoofer Formation Bass k vaší počítačové síti připojen po kabelu a ne po WiFi, je navíc třeba počítat s tím, aby byl v dosahu patřičného ethernetového kabelu.

Subwoofer Formation Bass by měl být umístěn na podlahu v blízkosti Formation reprosoustav, se kterými má spolupracovat. V případě reprosoustav Formation Wedge či Formation Bar, dosáhnete pravděpodobně nejlepšího výsledku tehdy, pokud subwoofer umístíte pod reprosoustavu, nebo alespoň u stejné stěny.

Chcete-li Formation Bass použít ve spojení s reprosoustavami Formation Duo, pak je ideální umístit subwoofer doprostřed mezi reprosoustavami, nebo alespoň do těsné blízkosti jedné z nich. Umístění subwooferu Formation Duo po straně, nicméně v prostoru před posluchačem je stále ještě akceptovatelný kompromis, pokud to vyžaduje např. zařízení místnosti. Do prostoru za posluchačem by se subwoofer Formation Bass umisťovat neměl.

Poznámka: Při manipulaci s Formation Bass dávejte pozor, abyste nepoškodili membrány měničů, nacházejících se po stranách subwooferu.



Obrázek 1
Umístění

Zapojení


Mimo zdířky pro napájení **2** je váš Formation Bass vybaven také Ethernetovým terminálem **1** pro kabelové připojení k routeru (pokud nechcete používat bezdrátové WiFi připojení).

Poznámka: na zadním panelu Formation Bass je také USB terminál, který je ovšem určen pouze k servisním a diagnostickým účelům. Nelze jej používat pro žádné jiné účely.

Formation Bass nemá kabelové připojení ke zdrojům zvuku. Jakmile jej v aplikaci přiřadíte k reprosoustavám, se kterými má spolupracovat, aby s nimi sdílel audio stream a rozšiřoval jejich basové pásmo, nastaví si subwoofer automaticky konfiguraci dle charakteristiky těchto reprosoustav. Je-li přiřazen k soundbaru Formation Bar, přepne se Formation Bass automaticky do režimu reprodukce nízkofrekvenčních efektů (LFE) pro přehrávání materiálu kódovaného v Dolby Surround.

Zapnutí a vypnutí

Po dokončení všech připojení a instalaci aplikace Bowers & Wilkins Home na mobilním zařízení je produkt Formation Bass připraven k instalaci a používání. Formation Bass nemá vypínač nemá hlavní vypínač od napájení, takže po připojení do napájecí zásuvky a krátké nabíjecí proceduře, jejíž konec je oznámen zvukovým signálem, je přístroj plně aktivní a lze jej používat.


Při prvním zapnutí produktu Formation Bass, který doposud nebyl použit, se automaticky aktivuje režim instalace, aby bylo možné jeho připojení do vaší domácí sítě a k jakýmkoli dalším dostupným zařízením Formation. Režim instalace je indikován pomalu pulzujícím oranžovým osvětlením dotykového tlačítka Formation . Formation Bass se rovněž objeví v aplikaci Bowers & Wilkins Home jako dostupné zařízení pro instalaci, a to buď na úvodní stránce aplikace nebo po výběru „Add Formation product“ (Přidat produkt Formation) na stránce Settings (Nastavení) v této aplikaci.

Váš produkt Formation Bass řídí svůj provozní stav a spotřebu energie zcela automaticky a po dvaceti minutách nečinnosti se přepne do úsporného režimu. Produkt Formation Bass není nutno vůbec vypínat, avšak pokud tak chcete učinit, jednoduše jej odpojte od síťového napájení. Formation Bass si zapamatuje nastavení i po odpojení od síťového napájení.

Formation Bass můžete v případě potřeby restartovat krátkým stisknutím a uvolněním resetovacího tlačítka umístěného na jeho zadním panelu **3**. Po stisknutí tohoto tlačítka se Formation Bass vypne a zase zapne. Všechna nastavení zůstanou při restartu Formation Bass zapamatována. Formation Bass můžete rovněž restartovat pomocí stránky Settings (Nastavení) v aplikaci Bowers & Wilkins Home.

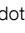
Pokud chcete Formation Bass resetovat na výchozí nastavení, stiskněte a po dobu 5ti vteřin podržte resetovací tlačítko. V tomto případě po svém restartu naběhne přístroj Formation Bass do režimu instalace. Všechna nastavení se při resetování Formation Bass smažou. Formation Bass můžete rovněž resetovat pomocí menu Settings (Nastavení) v aplikaci Bowers & Wilkins Home.

Nastavení sítě

• Když je Formation Bass v režimu instalace a osvětlení tlačítka Formation  pomalu pulzuje oranžovou barvou, spusťte ve vašem zařízení se systémem iOS nebo Android aplikaci Bowers & Wilkins Home. Tato aplikace vás provede procesem instalace.

Poznámka: Formation Bass používá během procesu instalace Bluetooth připojení k zařízení, na kterém je spuštěna aplikace Bowers & Wilkins Home. Protože má Bluetooth signál relativně krátký dosah a může docházet k jeho rušení z dmi místností, doporučujeme vám, aby produkt Formation Bass a zařízení s aplikací Bowers & Wilkins Home zůstaly během procesu instalace v těsné blízkosti.

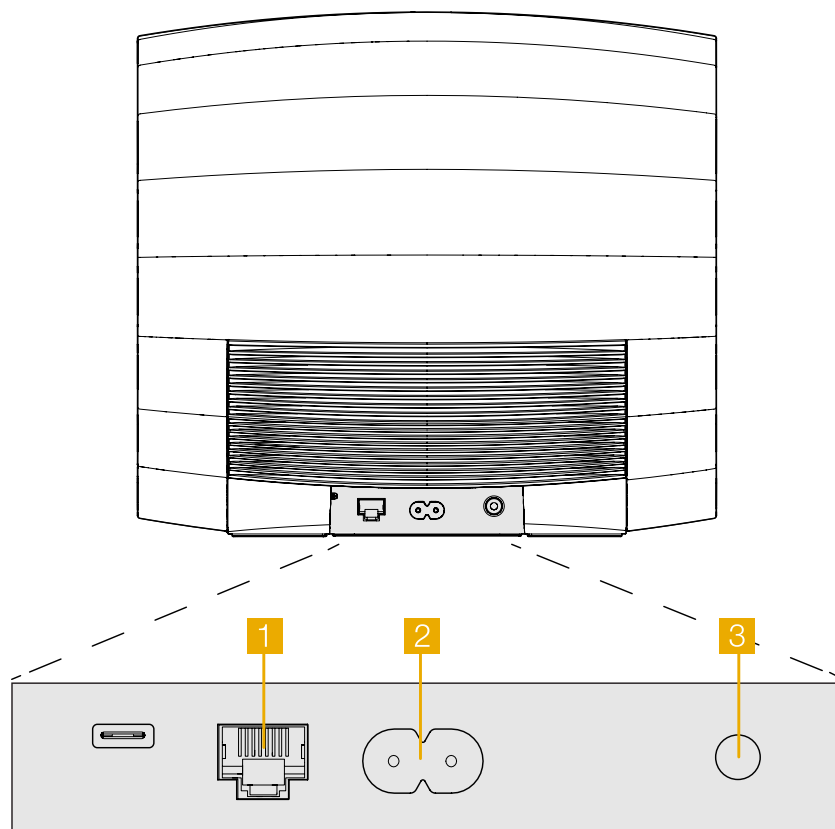
• Aplikace Bowers & Wilkins Home nejprve vyhledá dostupné produkty Formation s aktivovaným režimem instalace a zobrazí obrazovku s výzvou k výběru jednoho z nich. Klepnutím vyberte váš produkt Formation Bass. Pokud je některý produkt Formation již nainstalován a přidáváte další, vyberte v menu Settings (Nastavení) v této aplikaci funkci „Add Formation product“ (Přidat produkt Formation).

• Aplikace Bowers & Wilkins Home vás dále vyveze k pojmenování „prostoru“ (Space), ve kterém bude váš produkt Formation Bass používán. Nabídne se seznam výchozích názvů prostorů; můžete si však rovněž vytvořit svůj vlastní. Po výběru nebo vytvoření názvu prostoru vás aplikace požádá, abyste se dotkli tlačítka Formation  na čelním panelu Formation Bass pro potvrzení vaší volby.

• Pokud budete u vašeho produktu Formation Bass používat bezdrátové připojení k síti, vyveze vás v dalším instalačním kroku aplikace Formation Bass k potvrzení/výběru správné WiFi sítě a zadání patřičného hesla. Je-li váš produkt Formation Bass připojen do vaší sítě prostřednictvím ethernetového kabelu, bude tento krok při instalaci přeskočen.

Poznámka: Pokud jsou k WiFi síti již připojeny další produkty Formation, nebude instalace Formation Bass heslo k síti WiFi vyžadovat.

• Po dokončení konfigurace WiFi sítě a dokončení výběru „prostoru“ (Space) je váš produkt Formation Bass připraven k použití. Formation Bass přehraje zvukový signál potvrzující úspěšnou instalaci.



Obrázek 2
Zadní panel Formation Bass

3. Používání Formation Bass

Základy

Jakmile je Formation Bass nakonfigurován, bude fungovat v podstatě automaticky. Jediné, co bude možná třeba udělat manuálně, je nastavení úrovně jeho hlasitosti vůči Formation reprodukcím, ke kterým je přiřazen. Toto nastavení (poměr hlasitosti) záleží na vašich preferencích a akustice vaší místnosti. Pro samostatné nastavení hlasitosti Formation Bass otevřete aplikaci Bowers & Wilkins Formation app klikněte na ikonu nastavení, pro přístup do nastavovacího menu. Dále vyberte „Formation Bass“ a na následně zobrazené nastavovací stránce najdete posuvný prvek pro nastavení hlasitosti.

Poznámka: Mějte prosím na paměti, že váš subwoofer Formation Bass dokáže basové frekvence přehrávat až s takovou úrovní hlasitosti, jaká může způsobovat vám či okolí obtíže. V případě jakýchkoli problémů tedy hlasitost snižte.

Prostory (Spaces)

Prostory jsou klíčovým konceptem rodiny produktů Formation. „Prostor“ Formation je místnost, nebo konkrétní oblast ve vašem domě určená k poslechu hudby. Každý prostor může obsahovat různé kombinace produktů Formation, jenž jsou přiřazením ke stejnému prostoru sloučeny tak, aby fungovaly společně. Možné konfigurace jsou zobrazeny na Obrázku 3

Podsycení tlačítka Form

Změnou způsobu podsycení tlačítka Formation na Formation Bass jsou indikovány různé provozní stavy. Jednotlivé stavy jsou vysvětleny na Obrázku 4.

4. Aplikace Bowers & Wilkins Home

Když je produkt Formation Bass nakonfigurován a připojen k vaší síti, otevře aplikace Bowers & Wilkins Home svou domovskou obrazovku, na které je uveden prostor Formation Bass a případně i jakékoli jiné dostupné prostory Formation.

Pro výběr jakýchkoli dostupných streamů, nebo vstupů, klikněte na daný prostor Formation. Pokud nejsou k dispozici žádné streamy, otevřete streamovací aplikaci, jako například Spotify, vyberte položku pro přehrávání a pak vyberte v seznamu dostupných cílových zařízení pro přehrávání daný prostor Formation. Nyní, když se vrátíte do aplikace Bowers & Wilkins Home, bude stream Spotify uveden na stránce daného prostoru (např. Formation Bass).

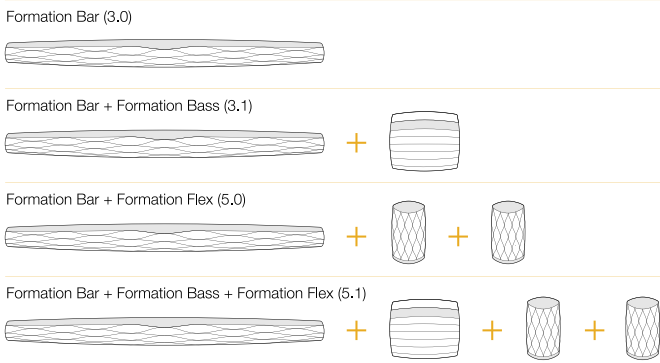
Na domovské stránce aplikace Bowers & Wilkins Home je v pravém horním rohu ikona Settings (Nastavení). Klepněte na tuto ikonu pro otevření tohoto menu. Menu Settings (Nastavení) obsahuje možnosti pro konfiguraci a resetování vašich zařízení Formation a přejmenování vašich prostorů Formation. Z menu Settings (Nastavení) se rovněž spouští aktualizace aplikace a firmwaru zařízení Formation.

Popis aplikace Bowers & Wilkins Home

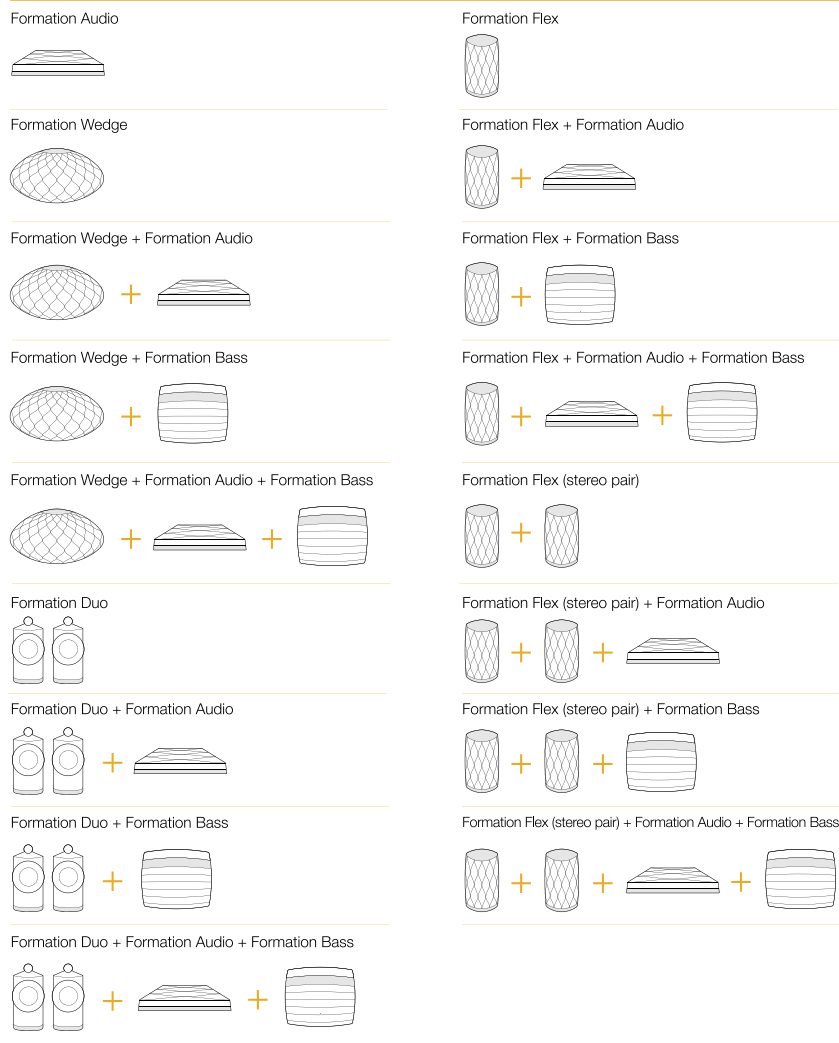
Aplikace Bowers & Wilkins Home po otevření vyhledá dostupné prostory Formation a pak zobrazí svou domovskou stránku se seznamem těchto prostorů.

Pod každým prostorem zobrazí tato aplikace jeho aktuální aktivitu. Po klepnutí na aktivní prostor se otevře obrazovka „now playing“ (nyní se přehrává), která umožňuje ovládání hlasitosti a spouštění přehrávání/pauzy.

Konfigurace prostoru TV



Konfigurace prostoru Music (Hudba)



Obrázek 3 Konfigurace prostor

Obrazovka „now playing“ (nyní se přehrává) rovněž obsahuje možnost „Available Spaces“ (Dostupné prostory) umožňující předat stream přehrávaný ve vybraném prostoru do jiného prostoru, nebo jej přehrávat ve více prostorech najednou. Na obrazovce „Available Spaces“ (Dostupné prostory) je rovněž k dispozici možnost ovládat hlasitost, a to buď globálně napříč všemi prostory, nebo v jednotlivých prostorech separátně.

Po kliknutí na ikonu nastavení v aplikaci Bowers & Wilkins Home se otevře stránka Settings (Nastavení). Počáteční menu Settings obsahuje jednotlivé prostory a počet zařízení Formation existujících v každém z nich.

Kliknutím na prostor uvedený v menu Settings (Nastavení) získáte přístup k jeho konfiguraci a nastavení všech zařízení Formation, která daný prostor obsahuje. Chcete-li tedy nastavovat konkrétní přístroj, klikněte nejprve na název prostoru (Space) pro získání přístupu k nastavení prostoru a pak klikněte na název daného zařízení pro jeho nastavení. Položky, které se pro nastavení zobrazí, budou záviset na příslušném zařízení.

Poznámka: Pokud ikona Settings (Nastavení) v aplikaci Bowers & Wilkins Home zobrazuje žlutou tečku, znamená to, že je k dispozici aktualizace firmwaru Formation. Proces aktualizace firmwaru se spouští z menu Settings (Nastavení). Doporučujeme vám, abyste udržovali aplikaci Bowers & Wilkins Home a vaše zařízení Formation stále aktuální, s nainstalovanou nejnovější verzí aplikace a nejnovější verzí firmwaru. Zajistíte tak maximální spolehlivost a navíc si budete moci užívat nejnovější funkce Formation.

5. Čištění

Pokud váš produkt Formation Bass potřebuje očistit, můžete jeho povrch otřít jemnou a suchou utěrkou, na mřížku lze použít jemný kartáček. Chcete-li použít jakoukoli čisticí tekutinu, naneste ji na čisticí utěrku, nikoli přímo na přístroj Formation Bass. Čištění pak nejprve vyzkoušejte na malé ploše, protože některé čisticí produkty mohou poškodit povrch. Vyvarujte se používání čisticích prostředků s brusným účinkem a produktů obsahujících kyselinu, alkalické nebo antibakteriální složky.

6. Podpora

V případě, že budete potřebovat další asistenci nebo rady ohledně vašeho produktu Formation Bass, navštivte prosím stránky zákaznické podpory Formation na adrese www.bowerswilkins.com/support.

Informace o životním prostředí

Tento produkt vyhovuje mezinárodním směrnici včetně, avšak nikoli výhradně, směrnice omezující používání nebezpečných látek v elektrických a elektronických zařízeních (RoHS), směrnice pro registraci, hodnocení, povolování a omezování chemických látek (REACH) a směrnice pro likvidaci vyřazených elektrických a elektronických zařízení (WEEE). Informace o správné recyklaci a likvidaci tohoto produktu vám poskytnou místní úřady zabývající se likvidací odpadu.

Indikátor	Provozní stav
Bliká bíle	Probíhá spouštění
Pulzuje žlutě	Připraveno k nastavení
Bliká žlutě	Probíhá aktualizace firmwaru
Pulzuje bíle	Probíhá načítání zvuku
Pulzuje červeně	Chyba – kontaktujte podporu
Svítil červeně	Chyba – kontaktujte podporu
Bliká červeně	Probíhá resetování na tovární hodnoty

Obrázek 4
Stavy podsvícení tlačítka Form

Üdvözlí Önt a Bowers & Wilkins és a Formation Bass

Köszönjük, hogy a Formation készüléket választotta. Amikor John Bowers megalapította a Bowers & Wilkins céget, hitte, hogy az ötletes dizájn, az innovatív megoldások és a fejlett technológia az otthoni szórakoztatás alapjai. Ez az elv mai napig a vállalat mozgatórugója és pillanatnyilag a Formation fejezi ki legjobban ezt az elképzelést.

A Formation Bass egy hálózati kapcsolatra képes, vezeték nélküli, aktív hangsugárzó, mely különösen kiemelkedő minőségű alacsonyfrekvenciás támogatást nyújt a Formation Duo, Wedge vagy Bar hangsugárzóknak. A Formation Bass a Bowers & Wilkins Home Appel konfigurálható és irányítható. Az applikáció elérhető mind iOS mind Android eszközökre. Néhány gyakran használt funkció azonban a Formation Bass előlapján lévő érintő gombokkal is elérhető. A Formation Bass csak a Bowers & Wilkins Home Appel installálható és konfigurálható.

A Formation Bass hangsugárzóval a következőkre lesz képes:

- Növelheti a Formation Duo, Wedge vagy Bar hangsugárzók mélyfrekvenciás teljesítményét.

A Bowers & Wilkins Home App használata szükséges, hogy a Formation Bass eszközt az otthoni hálózatához csatlakoztassa, valamint más, az otthonában lévő Formation eszközhöz kapcsolja. A Bowers & Wilkins Home alkalmazás ugyanakkor néhány irányításbeli és konfigurációs funkcióval is rendelkezik, a használat közben. Mielőtt megkezdene a Formation Bass beállítását, kérjük, töltsse le a Bowers & Wilkins Home App-et az iOS vagy Android eszközére. A Bowers & Wilkins Home használatához iOS 11.4 vagy újabb, Android eszközöknél 8.1 vagy újabb verziószámú szoftver szükséges. A Bluetooth és Wifi szolgáltatásokat engedélyezni kell az eszközén. A Wifi hálózat jelszavára ugyancsak szüksége lesz.

Megjegyzés: A Formation beállítási folyamatához az Android eszközöknél engedélyezni kell a helymeghatározó szolgáltatást is. Ez azért szükséges, mert a Formation termékek alacsony teljesítményű Bluetooth kapcsolatot igényelnek (BT-LE) a kommunikációhoz, mely az Android eszközöknél csak akkor működik, ha a helymeghatározás engedélyezve van. A Bowers & Wilkins nem használ fel semmilyen helymeghatározási adatot marketing céljából.

1. A Formation Bass dobozának tartalma

Formation Bass
Az országának megfelelő hálózati kábel
Dokumentum csomag

2. A Formation Bass beüzemelése

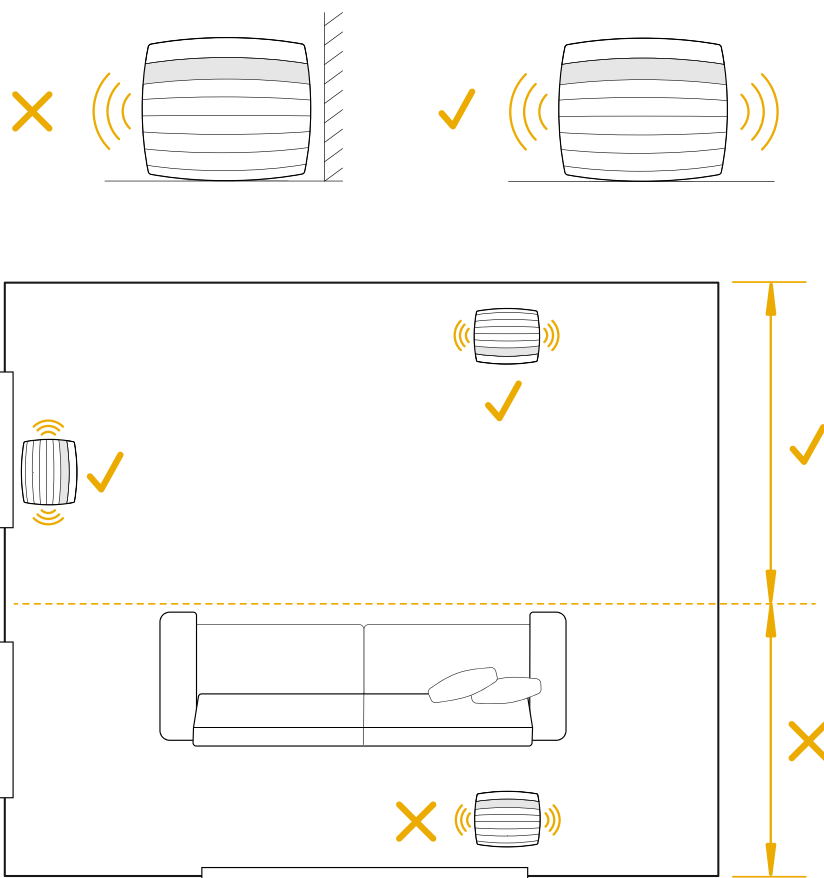
Elhelyezés

A Formation Bass működéséhez csupán hálózati kábel szükséges, így szinte bárhová elhelyezheti, ahol kényelmes Önnek. Azonban, ha a Formation Bass mélysugárzóját vezetékkel szeretné az otthoni hálózatára kötni, akkor a kábelezés (Ethernet) közelébe kell elhelyezni a mélysugárzót

A Formation Bass mélysugárzót a padlón javasolt használni, lehetőleg a párosított Formation hangsugárzó közelébe elhelyezve. A legjobb hangzást akkor kaphatjuk, ha a pld. a Formation Bar vagy Wedge alatt, vagy azzal megegyező falon kerül elhelyezésre.

Abban az esetben, ha a Formation Bass mélysugárzó a Formation Duo hangsugárzók párja lesz, a legjobb hangzás úgy érhető el, ha a Formation Bass-t a két Duo hangsugárzó közé vagy legalább az egyik mellé helyezzük. A Formation Bass oldalra helyezése is elfogadható kompromisszum, ha a háztartási körülmények ezt teszik lehetővé. Ne helyezzük a Formation Bass mélysugárzót a hallgatási pozíció mögé. Az elhelyezést az 1. ábra szemlélteti.

Megjegyzés: Elhelyezéskor ügyeljen arra, hogy a Formation Bass mélysugárzó két oldalán lévő hangszórók membránjához ne nyúljon, mert azok megsérülhetnek.



1. Ábra
Elhelyezés

Csatlakozások

A hálózati csatlakozáson **2** kívül a Formation Bass egy hálózati Ethernet aljzattal **1** is rendelkezik, melyet akkor használjon, ha a vezeték nélküli (Wifi) hálózat helyett vezetékes hálózatot szeretne használni.

Megjegyzés: A Formation Bass hátlapján található USB aljzat csak szerviz és diagnosztika céljára szolgál. Más célból nem használható.

A Formation Bass mélysugárzóknak nincs vezetékes csatlakozása, a beállítás folyamán automatikusan konfigurálja magát, hogy hozzáférjen a hálózati streamekhez és megnövelje a mélyfrekvenciás teljesítményt a párosított hangszó karakterisztikájától függően. Ha a Formation Bar készülékkel párosítjuk, akkor a Formation Bass automatikusan LFE (Low Frequency Effects) módba kapcsol, hogy a Dolby Surround anyagokat is reprodukálni tudja.

Be és kikapcsolás

Miután minden csatlakoztatást elvégzett és a Bowers & Wilkins Home App is feltelepült a mobil eszközére, a Formation Bass készen áll az üzembe helyezésre és használatra. A Formation Bass készülékének nincs fő hálózati kapcsolója, a hálózati kábel csatlakoztatása után egy rövid bekapcsolási rutin után a készülék üzemképesé válik. Egy rövid hang lejátszásával jelzi az üzemkész állapotot.

Ha a Formation Bass az üzembe helyezés előtt nem volt máshol használatban, akkor először automatikusan beállítás módba lép, hogy létrejöhessen a kapcsolat az otthoni hálózatával és más Formation eszközökkel. A beállítás módot a Form érintőkapcsoló **3** lassú, narancsszínű pulzálása jelzi. Ugyanakkor a Formation Bass a Bowers & Wilkins Home App-ben is megjelenik, a főoldalon, vagy az 'Add Formation Product' kiválasztásával a Beállítások aloldalon.

A Formation Bass a működési állapotot és az energia felhasználást teljesen automatikusan szabályozza. Húsz perc inaktivitás után energiatakarékos módba kapcsol. Nem szükséges kikapcsolni a Formation Bass készülékét, ugyanakkor, ha szeretné, egyszerűen kihúzhatja a hálózatról. A Formation Bass megőrzi a beállításokat áramtalanítás után is.

Újraindíthatja a Formation Bass készülékét a hátlapon található reset gomb **3** rövid megnyomásával. A gomb megnyomására a Formation Bass kikapcsol, majd újra bekapcsol. Minden beállítás eltárolódik a Formation Bass újraindítása után is. Ugyancsak újraindíthatja a Formation Bass készülékét a Bowers & Wilkins Home App beállítások oldalán.

Ha törölni szeretné a Formation Bass beállításait és az alapértelmezett beállításokat előhívni, nyomja meg és tartsa lenyomva a reset gombot öt másodpercig. Újraindulás után a Formation Bass beállítások módba lép. Minden eddigi beállítás törölődik ebben az esetben. A Formation Bass beállításai törölhetők a Bowers & Wilkins Home alkalmazás beállítások oldaláról.

Hálózati beállítás

- A Formation Bass beállítási állapotát a Form gomb **3** lassú, narancsszínű pulzálással jelzi. Nyissa meg a Bowers & Wilkins Home alkalmazást az iOS vagy Android eszközén. A program keresztülvezeti a beállítás lépéseit.

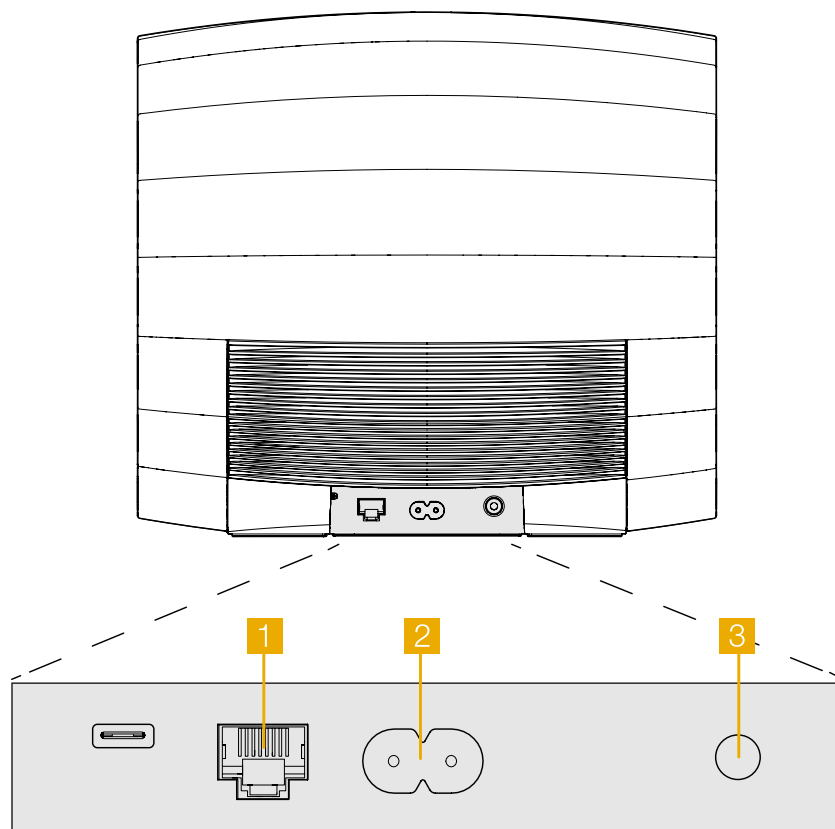
Megjegyzés: A Formation Bass a Bowers & Wilkins Home App-et futtató eszköz Bluetooth kapcsolatát használja a beállításához. A Bluetooth jelek relatív kis hatótávolságúak és megzavarhatják a szobák falai, így azt javasoljuk, hogy a Formation Bass és a Bowers & Wilkins Home alkalmazást futtató eszköz legyen egymáshoz közel a beállítás időtartama alatt.

- A Bowers & Wilkins Home App először megkeresi az elérhető beállítási állapotban lévő Formation terméket, majd a kijelzőn felkínálja kiválasztásra. Ekkor válassza a Formation Bass készüléket. Ha már van Formation termék beállítva és egy újat szeretne hozzáadni, akkor válassza az 'Add Formation Product' feliratot a beállítások menüben.
- Ez után a Bowers & Wilkins Home App kéri, hogy nevezze el a 'Helységet', a Formation Bass használati helye alapján. Néhány alapértelmezett 'Helység' nevet felkínál a program, de Ön is létrehozhat egy sajátot. Miután kiválasztotta, vagy létrehozott egy Helység nevet, a Form gomb **3** megérintésével fogadhatja el a beállításokat.

- Ha vezeték nélküli hálózattal szeretné használni a Formation Bass készülékét, akkor a következő lépés a Formation Bass csatlakoztatása az otthoni hálózathoz. Az App felkéri a megfelelő Wifi hálózat kiválasztására, majd a jelszó beírására. Alternatívaként, ha a Formation Bass készüléket vezetékkel szeretné csatlakoztatni az otthoni hálózatra, Ethernet kábel segítségével, akkor a fenti beállításokon átugrik a program.

Megjegyzés: Ha már rendelkezik más beüzemelt Formation termékkel, akkor a Formation Bass beállításoknál a program nem kér Wifi jelszót.

- A Wifi beállítások és a Helység kiválasztása után a Formation Bass készen áll a használatra. A Formation Bass rövid hanggal jelzi a sikeres beüzemelést.



2. Ábra
Formation Bass hátlap

3. A Formation Bass használata

Az alapok

Miután megtörtént a beállítás, a Formation Bass teljesen automatikusan működik. Az egyedüli állítási lehetőség, az a párosított Formation hangsugárzóhoz viszonyított hangerőszint. Ez az Ön egyéni ízlésétől és a szoba akusztikai karakterétől is függhet. A Formation Bass hangerőszintjének állításához nyissa meg a Bowers & Wilkins Formation Appet, majd a beállítások ikon megnyomásával, nyissa meg a beállítások menüt. Ezután nyomja meg a 'Formation Bass' pontot, mely megnyitja a készülék beállításait, majd a csúszka segítségével állítsa be a kívánt hangerőszintet.

Megjegyzés: Vegye figyelembe, hogy a Formation Bass képes olyan alacsonyfrekvenciás hangerőszintekre, melyek kellemetlenségeket is okozhatnak. Ha bármilyen kétsége is van, ezzel kapcsolatosan csökkentse a hangerőt.

Helységek

A Helység, a Formation termékcsalád alapja. A Formation „Helység” elnevezés olyan szobát vagy specifikus helyet takar az otthonában, ahol zenét hallgat. Mindegyik Helység, különböző kombinációjú Formation termékeket tartalmazhat. A lehetséges konfigurációkat a 3. ábrán láthatja.

A Form Gomb színjelzései

A Formation Bass Form gombjának színe jelzi, a készülék működési állapotait. Ez a 4. ábrán látható.

4. A Bowers & Wilkins Home App

A már konfigurált és a hálózathoz csatlakoztatott Formation Bass esetében, a Bowers & Wilkins Home App, a Home kezdőoldalon listázza ki a Formation Bass eszközt vagy más elérhető Formation Helységeket.

Válasszon egy Formation Helységet és bármely elérhető streamet vagy bemenetet. Ha nincs elérhető stream, nyisson meg egy streaming alkalmazást, például Spotifyt, válassza ki a lejátszandó számot, majd válassza ki az elérhető lejátszó eszközök közül. A Bowers & Wilkins Home alkalmazásba visszatérve a Spotify stream megjelenik a Formation Bass Helység oldalán.

The Bowers & Wilkins Home alkalmazás Home kezdőoldalán a jobb felső sarokban található a beállítások ikon. Az ikon megnyomásával, az alkalmazás beállításaihoz jut. A beállítások menüben, konfigurálhatja vagy törölheti a Formation eszközöket és át is nevezheti a Formation Helységeket. Az alkalmazás és a Formation eszköz firmware frissítései is ebből a menüből elérhetőek.

Eligazodás a Bowers & Wilkins Home App programjában

A Bowers & Wilkins Home App megnyitása után megkeresi és kilistázza az elérhető Formation Helységeket a Home főoldalon.

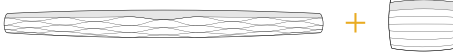
Mindegyik Helység alatt megjelenik a pillanatnyi aktivitás. Az aktív Helységre nyomva megjelenik a „now playing” képernyő, ahol megállíthatja vagy elindíthatja a lejátszást, illetve hangerőt is szabályozhat.

TV Helység konfigurációk

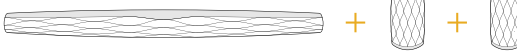
Formation Bar (3.0)



Formation Bar + Formation Bass (3.1)



Formation Bar + Formation Flex (5.0)



Formation Bar + Formation Bass + Formation Flex (5.1)



Zene Helység konfigurációk

Formation Audio



Formation Wedge



Formation Wedge + Formation Audio



Formation Wedge + Formation Bass



Formation Wedge + Formation Audio + Formation Bass



Formation Duo



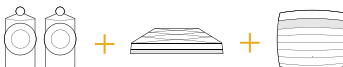
Formation Duo + Formation Audio



Formation Duo + Formation Bass



Formation Duo + Formation Audio + Formation Bass



Formation Flex



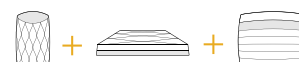
Formation Flex + Formation Audio



Formation Flex + Formation Bass



Formation Flex + Formation Audio + Formation Bass



Formation Flex (stereo pair)



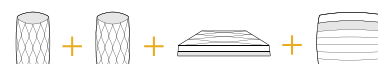
Formation Flex (stereo pair) + Formation Audio



Formation Flex (stereo pair) + Formation Bass



Formation Flex (stereo pair) + Formation Audio + Formation Bass



3. Ábra
Helység konfigurációk

A „now playing” képernyő oldal tartalmazza az 'Aviable Spaces' opciót is, mely lehetővé teszi a lejátszott stream másik Helységbe való továbbítását vagy több Helységben való lejátszását. Az 'Aviable Spaces' képernyő oldalon szabályozhatja a rendszer, vagy külön a Helységek hangerejét.

A Bowers & Wilkins Home App konfigurálását beállítások ikonra nyomva érheti el. A belső beállítások menü kilistáz minden Helységet és a Helységekben használt Formation eszközök számát.

A menüben az adott Helységre nyomva érhető el a Helység és maga a Formation eszköz beállítása. A Helység nevére nyomva érhetőek el a Helység beállítások az eszköz nevére nyomva pedig az eszköz beállítások. A rendelkezésre álló eszköz beállítások az adott készüléktől függenek.

Megjegyzés: Ha a beállítások ikon felett sárga pötty jelenik meg, akkor az elérhető Formation firmware frissítést jelez. A Firmware frissítés folyamata a beállítások menüből indítható. Lehetőség szerint mindig frissítse a Bowers & Wilkins Home App-et és a Formation eszközöket az elérhető legújabb verzióra. Ez nemcsak a megbízhatóbb működést segíti, hanem biztosítja, hogy az új Formation szolgáltatások előnyeit élvezze.

5. Tisztítás

Ha a Formation Bass készülékét le szeretné tisztítani, akkor a tetejét, tiszta, szőszmentes kendővel törölje át, a rácsot pedig puha szűrű kefével tisztítsa meg. Ha tisztítószerrel szeretne használni, akkor a folyadékot először a törlőkendőre tegye és ne közvetlenül a Formation Bass készülékre. Először egy kis területen próbálja ki, mert a tisztítószer esetleg kárt okozhat a felületben. Tartózkodjon a csiszoló hatású, savas, lúgos vagy antibakteriális tisztítószer használatától.

6. Támogatás

Ha további segítségre lenne szüksége a Formation Bass készülékkel kapcsolatban, akkor keresse fel a Formation támogatási weboldalát az alábbi címen www.bowerswilkins.com/support.

Környezetvédelmi információk

Ez a termék megfelel a nemzetközi irányelveknek, ideértve, de nem kizárólagosan az Elektromos és Elektronikus berendezések veszélyes anyagának korlátozásáról (RoHS), a Vegyi anyagok Regisztrálására, Értékelésére, Engedélyezésére és Korlátozásáról (REACH), valamint az Elektromos és Elektronikus Hulladékok (WEEE) ártalmatlanításáról szóló rendeleteknek. A termék újrahasznosításához vagy ártalmatlanításához tanácsot kérhet a helyi hulladékkezelő hatóságtól.

Kijelzés	Műveleti állapot
Villogó fehér	Bekapcsolási folyamat
Pulzáló sárga	Beállításra kész üzemmód
Villogó sárga	Firmware frissítés folyamatban
Pulzáló fehér	Forrásváltás folyamatban
Pulzáló piros	Hiba – vegye fel a kapcsolatot támogatásért
Piros	Hiba – vegye fel a kapcsolatot támogatásért
Villogó piros	Beállítások törlése folyamatban

4. Ábra

A Form gomb színjelzései

Witamy i dziękujemy za nabycie produktu firmy Bowers & Wilkins Formation Bass.

Dziękujemy za wybór Formation Bass. John Bowers założył swoją firmę, ponieważ wierzył, iż ciekawy wygląd, innowacyjna konstrukcja i zaawansowana technologia są kluczami do rozkoszowania się dźwiękiem w domowym zaciszu. Ta właśnie wiara towarzyszy nam i inspiruje każdy produkt, który tworzymy, a Formation znalazło tego jak dotąd najbardziej zaawansowane wyrażenie.

Formation Bass to podłączony do sieci subwoofer bezprzewodowy, który został zaprojektowany tak, aby zapewnić niezwykle wydajne wzmocnienie niskich częstotliwości głośników Formation Duo, Formation Wedge i Formation Bar. Formation Bass może być konfigurowany i sterowany tylko i wyłącznie za pomocą aplikacji Bowers & Wilkins Home, która jest dostępna na urządzenia z systemem iOS i Android.

Aplikacja Bowers & Wilkins Home jest wymagana do podłączenia Formation Bass do sieci domowej, a także do nawiązania połączenia z innymi produktami Formation w domu. Aplikacja Bowers & Wilkins Home, zapewnia także pewne funkcje sterowania i konfiguracji podczas użytkowania. Przed rozpoczęciem instalacji Formation Bass pobierz i zainstaluj aplikację Bowers & Wilkins Home na urządzeniu z systemem iOS lub Android. Aplikacja Bowers & Wilkins Home wymaga systemu iOS w wersji 11.4 (lub nowszej) lub Androida w wersji 8.1 (lub nowszej). Usługi Bluetooth i Wi-Fi muszą być włączone na urządzeniu z systemem iOS lub Android. Musisz także znać hasło do sieci Wi-Fi.

Uwaga: Usługi lokalizacyjne muszą być włączone na urządzeniach z Androidem podczas procesu konfiguracji Formation. Wynika to z faktu, że produkty Formation używają technologii Bluetooth o niskiej mocy (BT-LE) do komunikacji serwisowej, która na urządzeniach z Androidem jest włączana tylko wtedy, gdy włączone są usługi lokalizacyjne. Bowers & Wilkins nie wykorzystuje żadnych danych usług lokalizacyjnych do celów marketingowych.

1. Zawartość kartonu Formation Bass

Formation Bass
Przewód zasilający
Niniejsza instrukcja

2. Instalacja Formation Bass

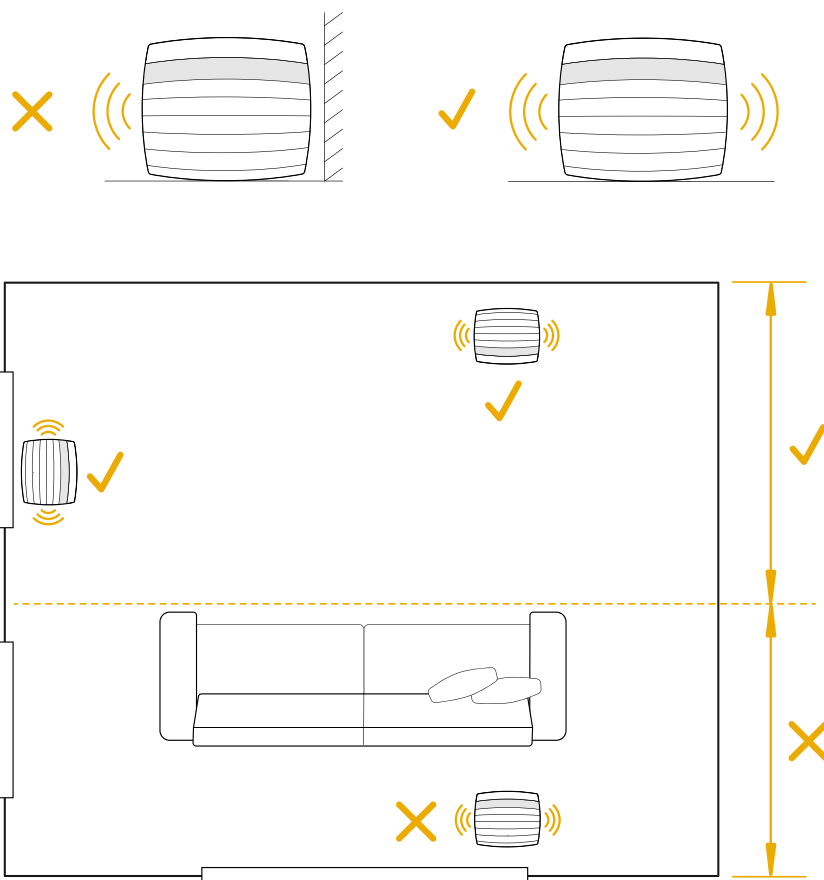
Lokalizacja

Twój Formation Bass, aby mógł działać potrzebuje zasilania sieciowego, dlatego musi znajdować się w zasięgu gniazda sieciowego. Jeśli głośnik Formation Bass ma korzystać z połączenia przewodowego z siecią domową, musi znajdować się w zasięgu odpowiednich przewodów sieciowych (Ethernet).

Twój głośnik Formation Bass powinien zostać umieszczony na podłodze w stosunkowo bliskiej odległości od głośnika Formation, z którym będzie współpracować. W przypadku Formation Wedge lub Formation Bar, subwoofer najlepszy efekt uzyska prawdopodobnie bezpośrednio pod głośnikiem lub przynajmniej w sąsiedztwie wspólnej ściany.

W przypadku współpracy Formation Bass z parą głośników Formation Duo, najlepsze wyniki prawdopodobnie zostaną uzyskane, jeśli Formation Bass umieszczony zostanie pomiędzy głośnikami Formation Duo lub w pobliżu jednego z nich. Stawianie Formation Bass z boku, ale wciąż z przodem do słuchaczy, jest akceptowalnym kompromisem, jeśli wymagają tego względy domowe. Formation Bass nie powinien znajdować się za miejscem odsłuchu. Rysunek 1 ilustruje pozycjonowanie subwoofera.

Uwaga: Zachowaj ostrożność podczas obchodzenia się z Formation Bass, aby nie uszkodzić membran przetworników znajdujących się na każdym końcu obudowy.



Rysunek 1
Pozycjonowanie

Podłączanie

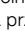
Oprócz gniazdka sieciowego **2** Formation Bass posiada gniazdo Ethernet **1** do podłączenia do routera, jeśli preferowane jest przewodowe połączenie sieciowe zamiast bezprzewodowego (WiFi).

Uwaga: Gniazdo USB umiejscowione na tylnym panelu Formation Bass przeznaczone jest tylko i wyłącznie do obsługi serwisowej i diagnostyki. Nie da się z niego korzystać w innych celach.

Formation Bass nie ma przewodowych połączeń audio i skonfiguruje się automatycznie podczas procesu konfiguracji, aby uzyskać dostęp do strumienia audio w sieci i odpowiednio wzmacnić niskie tony, w zależności od charakterystyki współpracującego głośnika. W połączeniu z Formation Bar, Formation Bass automatycznie przełączy się na odtwarzanie efektów kanału niskiej częstotliwości (LFE) materiału zakodowanego w Dolby Surround.

Włącznik/Wyłącznik

Gdy wykonasz wszystkie połączenia, i masz zainstalowaną aplikację Bowers & Wilkins Home na urządzeniu mobilnym, możesz przystąpić do ustawienia i korzystania z Formation Bass. Twój zestaw Formation Bass nie ma wyłącznika zasilania sieciowego i po krótkim rozruchu zacznie działać, gdy tylko zostanie podłączony do zasilania sieciowego. Po zakończeniu procedury uruchamiania odtworzy monit dźwiękowy.


Jeżeli Formation Bass nie było wcześniej używane i zostanie po raz pierwszy włączone, automatycznie przejdzie w tryb konfiguracji, aby umożliwić jego połączenie z siecią domową i innymi dostępnymi urządzeniami Formation. Tryb konfiguracji jest sygnalizowany poprzez wolne pomarańczowe pulsowanie podświetlenia przycisku dotykowego o symbolu . Formation Bass pojawia się również w aplikacji Bowers & Wilkins Home jako dostępne urządzenie do skonfigurowania, na stronie początkowej aplikacji lub po wybraniu „Add Formation product” (Dodaj produkt Formation) w ustawieniach aplikacji.

Urządzenie Formation Bass zarządza stanem pracy oraz zużyciem energii i po 20 minutach bezczynności przejdzie w tryb oszczędzania energii. Nie ma potrzeby wyłączenia Formation Bass, jednak jeśli chcesz, po prostu odłącz je od zasilania sieciowego. Twoje Formation Bass zachowa swoje ustawienia nawet bez dostępu do zasilania sieciowego.

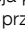
Możesz ponownie uruchomić Formation Bass, naciskając krótko i zwalniając przycisk resetowania znajdujący się na tylnym panelu **3**. Naciśnięcie przycisku spowoduje wyłączenie i ponowne włączenie Formation Bass. Wszystkie ustawienia zostaną zachowane po ponownym uruchomieniu Formation Bass. Możesz także to zrobić w ustawieniach aplikacji Bowers & Wilkins Home.

Jeśli chcesz zresetować Formation Bass do ustawień domyślnych, naciśnij i przytrzymaj przycisk resetowania przez pięć sekund. Po ponownym uruchomieniu Formation Bass przejdzie w tryb konfiguracji. Po resecie, wszystkie ustawienia zostaną usunięte. Możesz także to zrobić za pomocą menu Ustawienia aplikacji Bowers & Wilkins Home.

Ustawienia Sieci

- Gdy Formation Bass jest w trybie konfiguracji, a podświetlenie przycisku *Form*  pulsuje powoli na pomarańczowo, uruchom aplikację Bowers&Wilkins Home na urządzeniu z systemem iOS lub Android. Aplikacja przeprowadzi Cię przez proces instalacji.

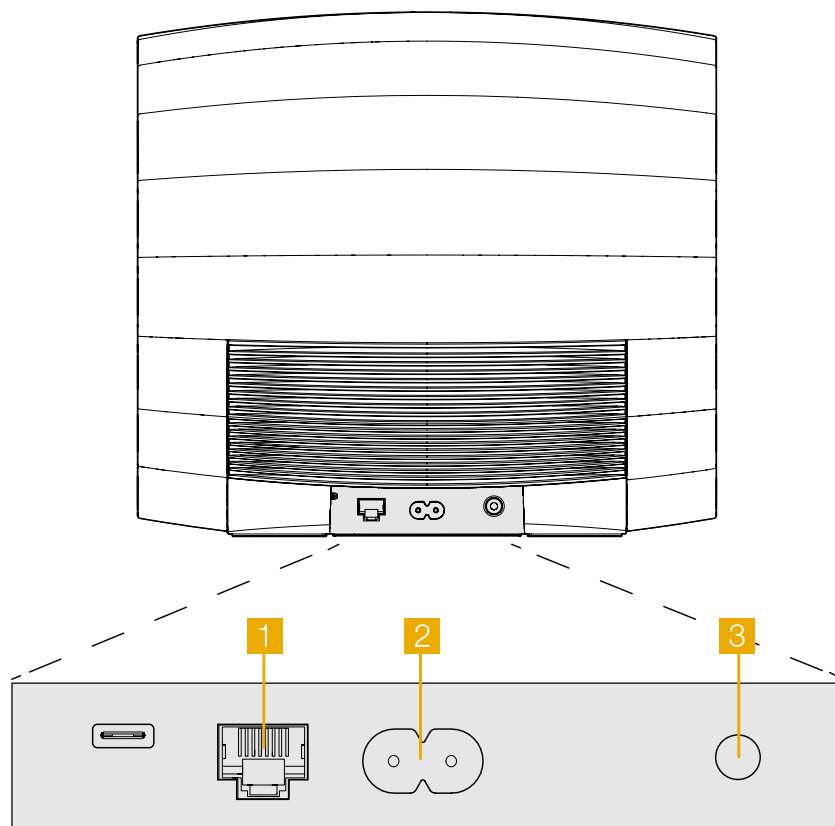
Uwaga: Formation Bass wykorzystuje połączenie Bluetooth z urządzeniem z uruchomioną aplikacją Bowers & Wilkins Home podczas procesu konfiguracji. Sygnały Bluetooth mają stosunkowo krótki zasięg i mogą być przerywane przez granice pomieszczeń, dlatego zalecamy, aby urządzenie Formation Bass oraz aplikacja Bowers & Wilkins Home pozostały blisko siebie podczas procesu konfiguracji.

- Aplikacja Bowers & Wilkins Home najpierw wyszuka produktów Formation w trybie konfiguracji i wyświetli ekran zapraszający do wyboru jednego. Kliknij Formation Bass, aby je wybrać. Jeśli masz już skonfigurowany produkt Formation i dodajesz dodatkowy, wybierz „Add Formation product” (Dodaj produkt Formation) z menu Ustawienia aplikacji.
- Następnie aplikacja Bowers & Wilkins Home zaprosi Cię do nazwania „space” (pokoju), w którym ma być używany Formation Bass. Podana jest lista domyślnych nazw pokoi, ale możesz także utworzyć własną. Po wybraniu lub utworzeniu nazwy pokoju aplikacja poprosi o dotknięcie przycisku *Form*  na przednim panelu Formation Bass w celu potwierdzenia wyboru.

- Jeśli ma być używane połączenie Formation Bass z siecią bezprzewodową, następnym etapem konfiguracji będzie połączenie Formation Bass z siecią WiFi. Aplikacja poprosi o potwierdzenie poprawnej sieci Wi-Fi i poprosi o podanie hasła. Alternatywnie, jeśli Formation Bass jest podłączony do routera sieciowego za pomocą kabla Ethernet, ten etap procesu konfiguracji zostanie pominięty.

Uwaga: Jeśli masz już inne produkty Formation podłączone do sieci Wi-Fi, konfiguracja Formation Bass nie będzie wymagać wprowadzenia hasła WiFi.

- Po skonfigurowaniu sieci Wi-Fi i zakończeniu wyboru miejsca Formation Bass jest gotowy do użycia. Formation Bass odtworzy dźwiękowy monit potwierdzający pomyślną konfigurację.



Rysunek 2
Tylny panel Formation Bass

3. Użytkowanie Formation Bass

Podstawy

Po zainstalowaniu i skonfigurowaniu Formation Bass będzie działał całkowicie automatycznie. Jedyne ustawienie, jakie może być konieczne, to głośność subwoofera w stosunku do głośnika Formation. Będzie to zależało od osobistych preferencji i akustycznego charakteru Twojego pokoju odsłuchowego. Aby dostosować głośność Formation Bass, otwórz aplikację Bowers & Wilkins Home i dotknij ikony ustawień, aby otworzyć menu Ustawienia. Teraz dotknij „Formation Bass”, aby otworzyć stronę ustawień i użyj suwaka głośności, aby dokonać regulacji.

Uwaga: pamiętaj, że Twój subwoofer Formation Bass może generować dźwięki o niskiej częstotliwości, które mogą powodować niedogodności. W razie wątpliwości zmniejsz głośność.

Spaces (Pokoje)

Spaces (pokoje) są kluczową koncepcją produktów z rodziny Formation. Formation space to pokój lub określona przestrzeń w Twoim domu, w której słuchasz muzyki. Każdy pokój może zawierać różne kombinacje produktów Formation. Możliwe konfiguracje są pokazane na rysunku 3.

Podświetlenie przycisku Form

Podświetlenie przycisku *Form* Formation Bass zmienia się, wskazując różne stany operacyjne. Iluminacje pokazano na Rysunku 4.

4. Aplikacja Bowers & Wilkins Home

Po skonfigurowaniu Formation Audio i podłączeniu go do sieci, aplikacja Bowers & Wilkins Home otworzy ekran główny, na którym będą widoczne wszelkie dostępne pokoje (*spaces*) Formation.

Wybierz dowolny pokój, dostępny strumień lub wejście, klikając na nie. Jeśli nie ma dostępnych strumieni, otwórz aplikację do przesyłania strumieniowego, na przykład Spotify i wybierz pozycję do odtworzenia, a następnie wybierz pokój Formation z listy dostępnych urządzeń odtwarzających. Teraz, gdy wrócisz do aplikacji Bowers & Wilkins Home, strumień Spotify zostanie wyświetlony na stronie *pokoju* Formation Bass.

Ikona Ustawień znajduje się w prawym górnym rogu strony głównej aplikacji Bowers & Wilkins Home. Kliknij ikonę, aby otworzyć menu Ustawienia aplikacji. Menu Ustawienia zawiera opcje konfiguracji i resetowania urządzeń Formation oraz zmiany nazw pokoi Formation. Aktualizacje oprogramowania urządzeń oraz aplikacji są również inicjowane z menu Ustawień.

Poruszanie się po aplikacji Bowers & Wilkins Home

Po otwarciu aplikacji Bowers & Wilkins Home wyszuka ona dostępne pokoje Formation, a następnie wyświetli stronę główną z listą dostępnych pokoi.

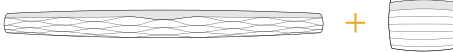
Pod każdym pokojem aplikacja wyświetli swoją bieżącą aktywność. Kliknięcie w aktywny pokój otworzy zakładkę „now playing” (teraz odtwarzane), która umożliwi sterowanie głośnością oraz odtwarzaniem i pauzą.

Konfiguracje pokoju TV

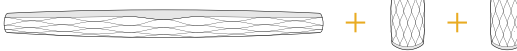
Formation Bar (3.0)



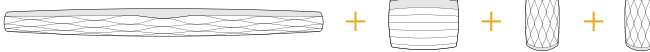
Formation Bar + Formation Bass (3.1)



Formation Bar + Formation Flex (5.0)



Formation Bar + Formation Bass + Formation Flex (5.1)



Konfiguracje pokoju Muzycznego

Formation Audio



Formation Wedge



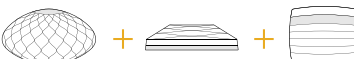
Formation Wedge + Formation Audio



Formation Wedge + Formation Bass



Formation Wedge + Formation Audio + Formation Bass



Formation Duo



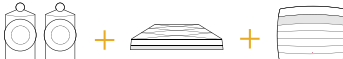
Formation Duo + Formation Audio



Formation Duo + Formation Bass



Formation Duo + Formation Audio + Formation Bass



Formation Flex



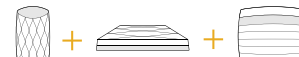
Formation Flex + Formation Audio



Formation Flex + Formation Bass



Formation Flex + Formation Audio + Formation Bass



Formation Flex (stereo pair)



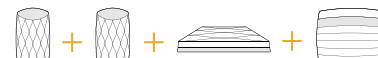
Formation Flex (stereo pair) + Formation Audio



Formation Flex (stereo pair) + Formation Bass



Formation Flex (stereo pair) + Formation Audio + Formation Bass



Rysunek 3
Konfiguracje pokoi

Zakładka „now playing” (teraz odtwarzane) udostępnia również opcję „Available Spaces” (Dostępne pokoje), która umożliwia przeniesienie strumienia odtwarzanego w wybranym pokoju do innego lub odtwarzanie w wielu pokojach jednocześnie. Zakładka „Dostępne pokoje” umożliwia także kontrolowanie głośności, zarówno globalnie we wszystkich, jak i w poszczególnych pokojach.

Ustawienia aplikacji Bowers & Wilkins Home otwiera się poprzez kliknięcie ikony ustawień. Menu ustawień początkowych zawiera listę pokoi oraz liczbę urządzeń Formation w nich obecnych.

Kliknięcie pokoju wymienionego w menu Ustawień zapewnia dostęp do ustawień pokoju i urządzeń Formation. Kliknij nazwę pokoju lub urządzenia, aby uzyskać dostęp do ich ustawień. W zależności od danego urządzenia, dostępne będą różne ustawienia.

Uwaga: Jeśli ikona Ustawień w aplikacji Bowers & Wilkins Home wyświetla żółtą kropkę, oznacza to, że jest dostępna aktualizacja oprogramowania Formation. Proces aktualizacji oprogramowania jest inicjowany z menu Ustawień. Zawsze staraj się aktualizować aplikację Bowers & Wilkins Home oraz oprogramowania urządzeń Formation do najnowszej wersji. Pomoże to nie tylko zapewnić najbardziej niezawodną wydajność, ale także umożliwi Ci dostęp do korzystania z nowych funkcji.

5. Czyszczenie

Jeśli urządzenie wymaga czyszczenia, możesz przetrzeć jego górną powierzchnię czystą, niestrzępiącą się ściereczką i wyczyścić kratkę miękką szcetką. Jeśli chcesz użyć płynu czyszczącego, nałóż go na ściereczkę czyszczącą, a nie bezpośrednio na urządzenie. Najpierw przetestuj mały obszar, ponieważ niektóre środki czyszczące mogą uszkodzić powierzchnie. Unikaj produktów o właściwościach ściernych lub zawierających kwas, zasady lub środki antybakteryjne.

6. Pomoc techniczna

Jeśli potrzebujesz dalszej pomocy lub porady dotyczącej Formation Bass, odwiedź witrynę pomocy technicznej na www.bowerswilkins.com/support.

Informacje o środowisku

Ten produkt jest zgodny z międzynarodowymi dyrektywami, w tym między innymi ograniczeniem substancji niebezpiecznych (RoHS) w sprzęcie elektrycznym i elektronicznym, rejestracją, oceną, autoryzacją i ograniczeniami chemikaliów (REACH) oraz utylizacją zużytego sprzętu elektrycznego i elektronicznego (WEEE). Skonsultuj się z lokalnymi władzami zajmującymi się utylizacją odpadów, aby uzyskać wskazówki dotyczące właściwego recyklingu lub utylizacji tego produktu.

Wskaźnik	Działanie
Miganie na biał	Uruchomienie w toku
Pulsowanie na żółto	Gotowy do konfiguracji
Miganie na żółto	Trwa aktualizacja oprogramowania
Pulsowanie na biał	Trwa wczytywanie dźwięku
Pulsowanie na czerwono	Błąd – skontaktuj się z pomocą techniczną
Świecenie na czerwono	Błąd – skontaktuj się z pomocą techniczną
Miganie na czerwono	Trwa przywracanie ustawień fabrycznych

Rysunek 4
Iluminacje przycisku Form

Bowers & Wilkins Formation Bass ya hoşgeldiniz.

Formation ürününü tercih ettiğiniz için teşekkürler. John Bowers, Bowers & Wilkins'i ilk kurduğu zaman ki düşünceleri olan, yenilikçi mühendislik ve ileri teknoloji, evde edinilen mutluluğun temelini oluşturdu. Bu inanç, ürettiğimiz tüm ürünlerin ilham kaynağı olup en etkin şekilde Formation ürünlerinde ifade bulmuştur.

Formation Bass, Formation Duo, Formation Wedge ve Formation Bar hoparlörlerinin yüksek performanslı düşük frekanslı geliştirilmesini sağlamak için tasarlanmış bir ağa bağlı, kablosuz subwoofer'dır. Formasyon Bass, Bowers & Wilkins Home uygulaması kullanılarak yapılandırılmış ve kontrol edilmiştir. Uygulama, hem iOS hem de Android cihazlar için kullanılabilir. Bowers & Wilkins Home uygulamasını kullanarak bir Formasyon Basını kurmak ve yapılandırmak mümkündür.

Formation Bass nun size sağladıkları:

- Formation Duo, Wedge ve Bar hoparlörlerin düşük frekans performansını artırın.

Bowers & Wilkins Home uygulaması, Formation Bass nuzu ev ağınıza bağlamak ve ayrıca evdeki diğer Formation ile bağlantı kurmak için gereklidir. Bowers & Wilkins Home uygulaması ve kullanım sırasında bazı kontrol ve konfigürasyon fonksiyonları da sağlar. Formasyon Ses kurulumunuza başlamadan önce, lütfen Bowers & Wilkins Home uygulamasını iOS veya Android cihazınıza indirin ve kurun. Bowers & Wilkins Home uygulaması, iOS V11.4 veya üstü ya da Android V8.1 veya üstü gerektirir. iOS veya Android cihazınızda Bluetooth ve WiFi servisleri etkinleştirilmiş olmalıdır. WiFi ağ şifrenizi de bilmeniz gerekir.

Not: Konum Servisleri, kurulum işlemi sırasında Android cihazlarda etkinleştirilmelidir. Bunun sebebi, Formasyon ürünlerinin, Android cihazlarında yalnızca Konum Servisleri etkinleştirildiğinde açık olan servis iletişimi için düşük güçte bir Bluetooth (BT-LE) formu kullanmasıdır. Bowers & Wilkins, herhangi bir yer hizmeti verisini pazarlama amacıyla kullanmamaktadır.

1. Formation Bass kutu içeriği

Formation Bass
Elektrik
Kitapçıklar

2. Formation Bass kurulum

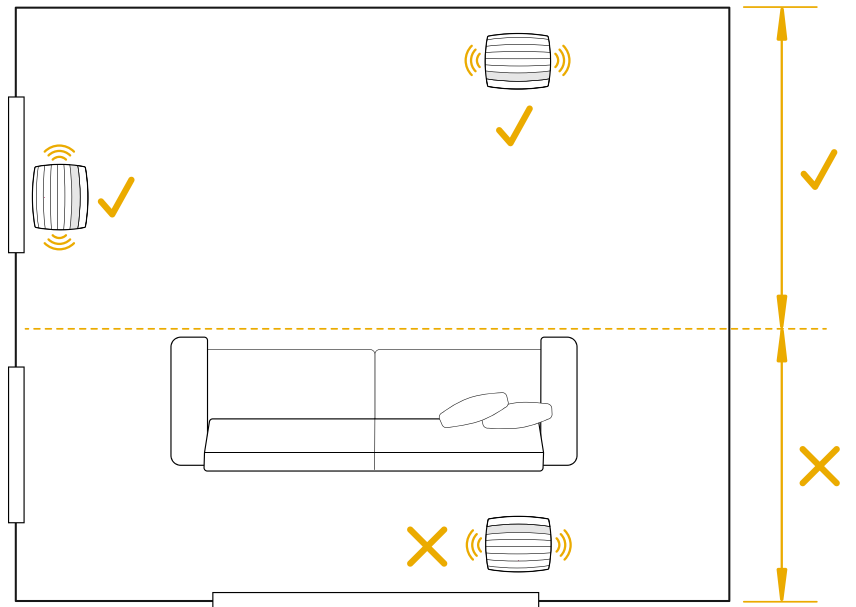
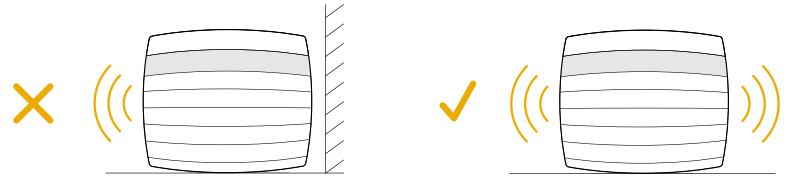
Konumlandırma

Formation Bass'ınız bir şebeke güç kaynağı ile çalışması gerekir, bu yüzden bir elektrik prizinin yakınında bulunmalıdır. Formation Bass hoparlörünüzü ev ağızda kablolu bir bağlantı ile kullanıyorsanız, uygun bir ağ (Ethernet) kablosunun yakınında olması gerekir.

Formation Bass hoparlörü, ortak olduğu Formation hoparlörüne oldukça yakın bir yere yerleştirilmelidir. Bir Formation Wedge veya Formation Bar ile kullanımda, hoparlörün tam altında veya en azından ortak bir duvara bitişik bir subwoofer konumu en iyi sonuçları verecektir.

Bir çift Formation Duo hoparlörü ile ortak bir Formation Bass kullanıldığında, Formation Bass, Formation Duo hoparlörler arasına veya birinin yakınına yerleştirilirse en iyi sonuçların elde edilmesi olasıdır. Bir Formation Bass'ının yan tarafa, ama yine de dinleyicilerin önüne doğru yerleştirilmesi, doğru seçim olacaktır. Formasyon Bass, dinleme pozisyonunun arkasında bulunmamalıdır. Şema 1, subwoofer konumlandırmasını gösterir.

Not: Formation Bass'ınızı kullanırken, muhafazasının her iki ucunda bulunan sürücü diyaframlarına zarar vermeye dikkat edin..



Şema 1
Konumlama

Bağlantılar

Şebeke prizine ek olarak ürününüz **2** de Kablosuz ağ dışında ağa bağlanmak için **1** Ağ bağlantı terminali mevcuttur.

Not: Formation Bass arka panelinde bulunan USB soketi, sadece servis ve tanı amaçlı kullanım içindir. Başka hiçbir amaç için kullanılamaz.

Formation Bass'ın kablolu ses bağlantısı yoktur ve ağ ses akışlarına erişmek ve ortak hoparlörün özelliklerine bağlı olarak bası uygun şekilde geliştirmek için kurulum işlemi sırasında kendisini otomatik olarak yapılandırır. Bir Formation Bar ile ortak olduğunda, Form. Bass otomatik olarak Dolby Surround kodlu malzemenin düşük frekans efektleri (LFE) kanalının çoğaltılmasına otomatik olarak geçecektir.

Açma kapama

Yapılan tüm bağlantılar ve mobil cihazınıza yüklenmiş Bowers & Wilkins Home uygulamasıyla, Formation Bass kurulumu ve kullanılmaya hazırdır. Formation Bass'nuzun ana güç anahtarı yoktur ve kısa bir başlatma rutini sonrasında, ana güç kaynağına bağlanır bağlanmaz çalışacaktır. Başlatma rutini tamamlandığında bir ses istemi çalışacaktır.

Önceden kullanılmamış bir Formation Bass ilk kez açıldığında, ana şebekenize ve mevcut diğer herhangi bir Formasyon cihazına bağlantısını sağlamak için otomatik olarak kurulum moduna girecektir. Kurulum modu yavaş turuncu pulse aydınlatması ile gösterilir. Bowers & Wilkins Home app üzerinde de kurulumu hazır cihaz olarak çıkar.

Formation Bass, çalışma durumunu ve güç tüketimini tamamen otomatik olarak yönetir ve yirmi dakikalık hareketsizlikten sonra güç tasarrufu moduna geçer. Formasyon Sesinizi kapatmak için hiçbir zaman gerek yoktur, ancak bunu yapmak isterseniz, elektriğin bağlantısını kesmeniz yeterlidir. Formation Bass, ana şebeke gücü olmadan ayarlarını koruyacaktır.

Bir Formation Bass hoparlörü arka panelinde bulunan sıfırlama düğmesine kısa bir süre basarak yeniden başlatabilirsiniz **3**. Bu düğmeye basmak, cihazı kapatıp tekrar açacaktır. Cihaz yeniden başlatıldığında tüm ayarlar korunur. Ayrıca, Ses Oluşumunuzu Bowers & Wilkins Home uygulaması Ayarlar sayfasından yeniden başlatabilirsiniz.

Formation Bass'nuzu varsayılan ayarlarına sıfırlamak istiyorsanız, sıfırlama düğmesini beş saniye basılı tutun. Yeniden başlattığınızda, Formation Bass kurulum moduna girecektir. cihaz sıfırlandığında tüm ayarlar silinecektir. Ayrıca, cihazınızı Bowers & Wilkins Home uygulaması Ayarlar menüsünden de sıfırlayabilirsiniz.

Ağ Ayarı

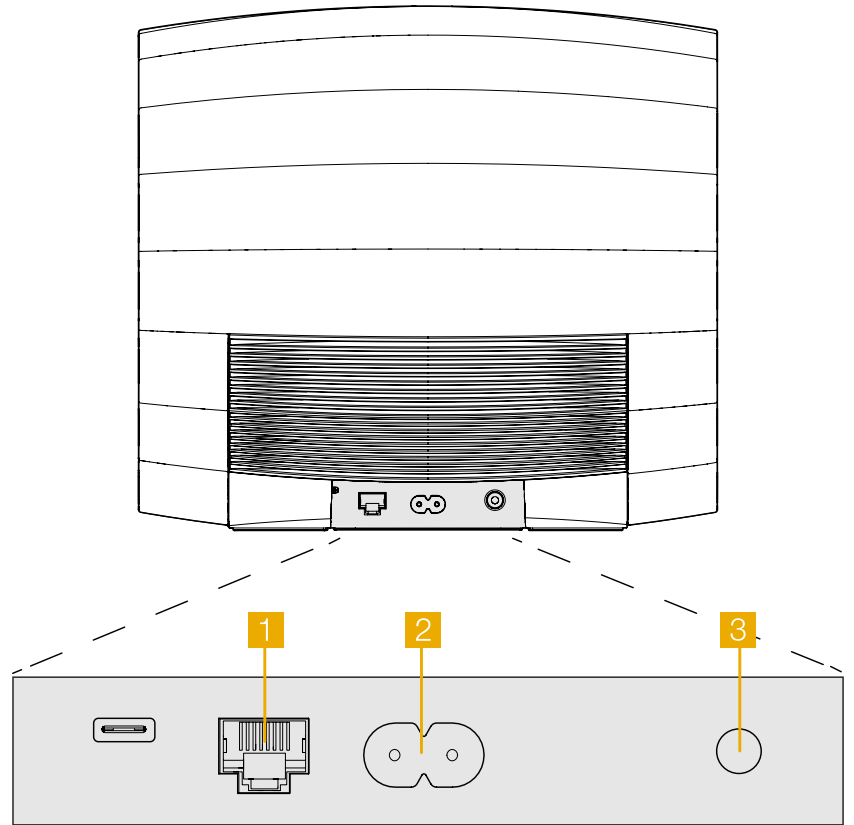
- Formation Bass kurulum modunda iken, Form düğmesi turuncu yanıp sönerken, IOS ve android cihazınızda Bowers & Wilkins Home app I açın. Ayar için app size yönlendirecek.

Not: Formation Bass, kurulum işlemi sırasında Bowers & Wilkins Home uygulamasını çalıştıran cihaza Bluetooth bağlantısı kullanır. Bluetooth sinyalleri nispeten kısa bir menzile sahip ve oda sınırları tarafından kesilebilir, bu nedenle Kurulum İşlemi ve Bowers & Wilkins Home uygulaması cihazınızın kurulum işlemi sırasında yakın durmasını öneririz.

- Bowers & Wilkins Home uygulaması, ilk önce kurulum modunda Formation ürünlerini arayacak ve birini seçmeye davet eden bir ekran görüntüleyecektir. Ürün seçmek için dokununuz. Daha önce bir Formation ürünü kurduysanız ve ek bir ürün ekliyorsanız, uygulama Ayarlar menüsünden ürünü ekle 'seçeneğini seçin.
- Bowers & Wilkins Home uygulaması daha sonra sizi Formation Bass'nuzun kullanılacağı "alanı" adlandırmaya davet edecektir. Listeden de seçebilir yada yeni isim verebilirsiniz. Secimi yaptıktan sonar cihazın üzerindeki Form butonuna basarak işlemi onaylayın.
- Formation Bass için kablosuz bir ağ bağlantısı kullanılacaksa, bir sonraki kurulum aşaması, cihazı evdeki WiFi ağına bağlayacaktır. Uygulama, doğru WiFi ağını onaylamanızı ve şifresini girmenizi isteyecektir. Alternatif olarak, Formation Bass ağ yönlendiricinize bir Ethernet kablosu kullanarak bağlıysa, kurulum işleminin bu aşaması atlanacaktır.

Not: WiFi ağına bağlı başka Formation ürünleriniz varsa, Formation Bass kurulumunda WiFi şifresini girmeniz gerekmez.

- WiFi ağ yapılandırması ve alan seçimi tamamlandıktan sonra, Formation Bass'nuz kullanıma hazırdır. Formation Bass, başarılı kurulumu onaylamak için bir sesli bildirim yapacaktır.



Şema 2
Formation Bass arka paneli

3. Formation Bass Kullanımı

Temeller

Kurulduktan ve yapılandırıldıktan sonra, Formasyon basınız tamamen otomatik olarak çalışacaktır. Yapmanız gerekebilecek tek ayar, ortak Oluşturma hoparlörüne göre düşük ton hoparlörü ses seviyesidir. Bu kişisel tercih ve dinleme odanızın akustik karakterine bağlı olacaktır. Formation Bass sesini ayarlamak için Bowers & Wilkins Formation uygulamasını açın ve Ayarlar menüsünü açmak için ayarlar simgesine dokununuz. Şimdi ayarlar sayfasını açmak ve ses seviyesi slaytını kullanmak için 'Form Bass üzerine dokununuz.

Note: Please remember that your Formation Bass subwoofer is capable of low frequency volume levels that have the potential to cause nuisance. If in any doubt, reduce the volume.

Alanlar

Alanlar, Formation ürün ailesinin temel bir konseptidir. Bir Formation "mekan", evinizde müzik dinleyebileceğiniz bir oda veya belirli bir alandır. Her alan farklı formation ürünlerinin kombinasyonlarını içerebilir. Olası yapılandırmalar Şema 3'de gösterilmektedir.

Form Buton Karşılıkları

Formation Bass Form butonu farklı renklerde yanarak cihazın durumu hakkında bilgi verir. Bakınız Şema 4.

4. Bowers & Wilkins Home Aplikasyonu

Formation Bass yapılandırılmış ve ağınıza bağlıyken, Bowers & Wilkins Home uygulaması, Formation Bass alanının ve diğer mevcut Formation alanlarının listeleneceği Ana ekranına açılacaktır.

Kullanılabilir herhangi bir akış veya giriş arasından seçim yapmak için bir Formation alanına dokununuz. Kullanılabilir akış yoksa, bir akış uygulaması açın, örneğin Spotify ve oynatılacak bir öge seçin, sonra mevcut oynatma cihazları listesinden Formation Alanı'nı seçin. Şimdi, Bowers & Wilkins Home uygulamasına geri döndüğünüzde, Spotify akışı Ses Oluşturma alanı sayfasında listelenecek.

Bowers & Wilkins Home uygulaması Ana sayfasının sağ üst köşesinde bir Ayarlar simgesi vardır. Uygulama Ayarları menüsünü açmak için simgeye dokununuz. Ayarlar menüsü, Formation cihazlarınızı yapılandırmak ve sıfırlamak ve Formasyonunuzu yeniden adlandırmak için seçenekler sunar. Yazılımı güncellemeleri, Ayarlar menüsünden de başlatılır.

Bowers ve Wilkins Home App Etrafında kendi yolunu Bulma

Bowers & Wilkins Home uygulaması, açıldığında kullanılabilir Formasyon alanlarını arayacak ve daha sonra Ana sayfasını listelenen alanlarla birlikte görüntüleyecektir.

Her alanın altında uygulama mevcut etkinliğini gösterir. Aktif bir alana dokunmak ses seviyesini ve oynatma / duraklatma kontrolünü sağlayan "şu anda oynatılıyor" ekranını açar.

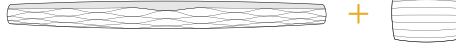
"Şimdi çalışıyor" ekranı aynı zamanda, seçilen alanda çalan akışın başka bir alana aktarılmasını veya birden fazla alanda oynatılmasını sağlayan "Kullanılabilir Alanlar" seçeneğini de sunar. "Kullanılabilir Alanlar" ekranı aynı zamanda tüm alanlarda veya bireysel alanlarda hacmi kontrol etme imkanı sunar.

TV Alan seçenekleri

Formation Bar (3.0)



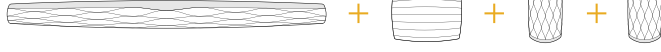
Formation Bar + Formation Bass (3.1)



Formation Bar + Formation Flex (5.0)



Formation Bar + Formation Bass + Formation Flex (5.1)



Müzik Alan seçenekleri

Formation Audio



Formation Wedge



Formation Wedge + Formation Audio



Formation Wedge + Formation Bass



Formation Wedge + Formation Audio + Formation Bass



Formation Duo



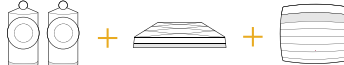
Formation Duo + Formation Audio



Formation Duo + Formation Bass



Formation Duo + Formation Audio + Formation Bass



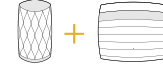
Formation Flex



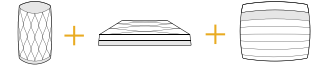
Formation Flex + Formation Audio



Formation Flex + Formation Bass



Formation Flex + Formation Audio + Formation Bass



Formation Flex (stereo pair)



Formation Flex (stereo pair) + Formation Audio



Formation Flex (stereo pair) + Formation Bass



Formation Flex (stereo pair) + Formation Audio + Formation Bass



Şema 2

Alan konfigürasyonları

Bowers & Wilkins Home uygulaması Ayarlar sayfası, ayarlar simgesine dokunarak açılır. İlk Ayarlar menüsü, her alanı ve her birinde bulunan Formation cihazlarının sayısını listeler.

Ayarlar menüsünde listelenen boşluğa dokunmak, alan ve Oluşum cihazı ayarlarına erişim sağlar. Alan ayarlarına erişmek için Boşluk adına ve cihaz ayarlarına erişmek için cihaz adına dokununuz. Mevcut cihaz ayarları, söz konusu cihaza bağlı olacaktır.

Not: Bowers & Wilkins Home uygulamasındaki Ayarlar simgesi sarı bir nokta gösteriyorsa, bu bir Ürün yazılımının üretici güncellemesinin mevcut olduğunu gösterir. Ürün yazılımı güncelleme işlemi Ayarlar menüsünden başlatılır. Daima Bowers & Wilkins Home uygulamasını ve Formaioon cihazlarınızı güncel tutmayı hedefleyin. Bu sadece en güvenilir performansı sağlamakla kalmayacak, yeni Formation özelliklerinden de yararlanmanızı sağlayacaktır.

5. Temizlik

Formation Bass'nuzun temizlenmesi gerekiyorsa, üst yüzeyini temiz, havsız bir bezle silebilir ve izgarasını yumuşak bir fırça ile fırçalayabilirsiniz. Herhangi bir temizleme sıvısı kullanmak istiyorsanız, doğrudan Formation Bass'ya değil temizlik bezine uygulayın. Bazı temizlik ürünleri bazı yüzeylere zarar verebileceğinden önce küçük bir alanı test edin. Aşındırıcı veya asit, alkali veya anti bakteriyel maddeler içeren ürünlerden kaçınınız.

6. Destek

Formation Bass nuzla ilgili daha fazla yardıma veya tavsiyeye ihtiyacınız olursa, lütfen www.bowerswilkins.com/support adresindeki Formasyon destek sitesini ziyaret edin.

Çevresel Bilgi

Bu ürün, elektrikli ve elektronik teçhizatındaki Tehlikeli Maddelerin Kısıtlanması (RoHS), Kimyasal Maddelerin Tesçilli, Değerlendirilmesi, Onaylanması ve Sınırlanması (REACH) ve Atık Elektrikli ve Elektronik Teçhizatın (WEEE) imhası dahil ancak bunlarla sınırlı olmamak üzere uluslararası yönergelere uygundur. Bu ürünün ne kadar doğru geri dönüştürüleceği veya atılacağı konusunda rehberlik için yerel atık imha yetkilinize danışın.

GÖSTERGE	DURUM
Beyaz çakar	Cihaz açılıyor
Sarı yanıp sönme	Ayara hazır
Sarı çakar	Güncelleme yapıyor
Beyaz yanıp sönme	Ses çekme devrede
Kırmızı yanıp sonme	Hata – Destek alın
Sabit kırmızı	Hata – Destek alın
Kırmızı çakar	Fabrika ayarlarına geri dönüyor

Şema 4

Form butonu karşılıkları

TÜRKİYE RESMİ İTHALATÇISI:
TRIO SES İSİK VE GÖRÜNTÜ SİSTEMLERİ A.Ş.
UĞUR MUMCU CAD.8/19 MKM KÜLTÜR MERKEZİ
AKATLAR-BESİKTAS İSTANBUL
+90 212 227 9540

TÜRKİYE MERKEZ SERVİSİ:
TRIO SES İSİK VE GÖRÜNTÜ SİSTEMLERİ A.Ş.
UĞUR MUMCU CAD.8/19 MKM KÜLTÜR MERKEZİ
AKATLAR-BESİKTAS İSTANBUL
+90 212 227 9540

欢迎惠顾Bowers & Wilkins和Formation Bass

感谢您选择Formation。John Bowers在创建Bowers & Wilkins伊始就坚信富有想象力的设计理念、创新工程和先进技术是开启家庭音响乐趣的钥匙。直至今日，这种信念一直激励着我们设计每一款产品，而Formation在寻求最佳性能的道路上从未止步。

Formation Bass是网络连接的无线低音炮，提供超高性能的增强低频予Formation Duo，Formation Wedge和Formation Bar音箱。可使用Bowers & Wilkins Home应用程序设定和控制Formation Bass。该应用程序可用于iOS和Android设备。安装和设定Formation Bass只能使用Bowers & Wilkins Home应用程序完成。

Formation Bass的主要功能：

- 增强Formation Duo，Wedge和Bar扬声器的低频性能。

必须使用Bowers & Wilkins Home应用程序来把Formation Bass与家庭网络相连，以及与家中其他Formation产品相连接。在使用过程中，Bowers & Wilkins Home应用程序还提供一些控制和配置功能。在Formation Bass开始安装之前，请在iOS或Android设备上下载并安装Bowers & Wilkins Home应用程序。Bowers & Wilkins Home应用程序需要iOS V11.4以上版本，或Android V8.1以上版本。蓝牙和WiFi服务必须在iOS或Android设备上启用，此外，您还需要知道WiFi网络密码。

注：在Formation设置过程中，必须在Android设备上启用位置服务。这是因为Formation产品使用低功耗蓝牙（BT-LE）形式服务通信，在Android设备上，仅在启用位置服务时才会开启蓝牙。Bowers & Wilkins不会将任何位置服务数据用于营销目的。

1. Formation Bass装箱单

Formation Bass
适用于您所在区域的电源线
文件包

2. 安装Formation Bass

位置

您的Formation Bass需要电源来进行操作，因此必须位于电源插座可及的范围内。如果您的Formation Bass将使用有线连接到您的家庭网络，它将需要位于适当的网络（以太网）电缆的范围内。

您的Formation Bass扬声器应放置在地板上，与一同使用的Formation扬声器相距很近。在Formation Wedge或Formation Bar的情况下，低音炮置于扬声器正下方或至少相邻于同一墙壁，可能会产生最佳效果。

如果Formation Bass与一对Formation Duo扬声器配合使用，则将Formation Bass放在Formation Duo扬声器之间或其中一个扬声器附近可能会获得最佳效果。如果考虑到家居因素，将Formation Bass放在侧面，但仍放在听众的前面，是可以接受的折衷方案。Formation Bass不应位于收听位置的后面。图1说明了低音炮的位置。

注意：处理Formation Bass时要小心，不要损坏位于其外壳两端的驱动单元振膜。

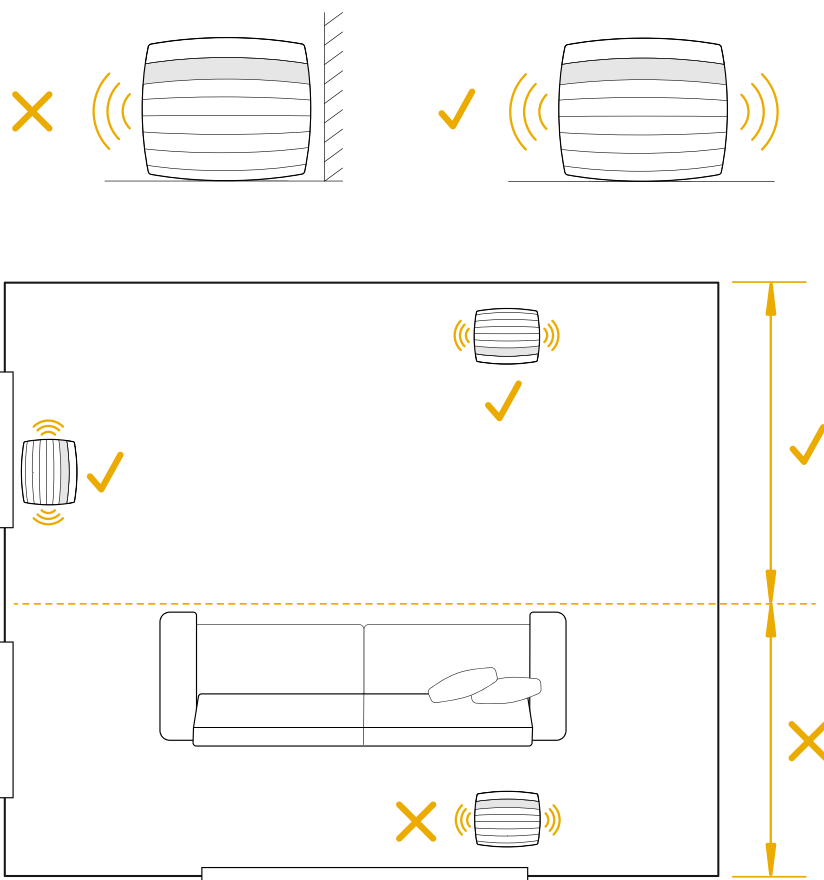


图1
位置

连接

除了电源插座 **2**，Formation Bass带有一个用于连接路由器的以太网插座 **1**。相比于无线（WiFi）连接，较建议有线网络连接。

注：Formation Bass后面板上的USB插座仅用于服务和诊断用途。不得用作它途。

Formation Bass没有有线音频连接，并且将在设置过程中自动进行设定，以取得网络音频串流，并根据配对扬声器的特性适当地增强低音。与Formation Bar配合使用时，Formation Bass将自动切换到重现杜比环绕声编码材料的低频效果（LFE）通道。

开关

当一切连接到位，并且Bowers & Wilkins Home应用程序已成功安装在移动设备上后，您就可以设置和使用Formation Bass了。Formation Bass没有主电源开关，连接主电源，短启动后将立即运行。启动程序完成后，它将播放一个音频提示。

首次启动Formation Bass之时，它将自动进入设置模式，使其能够连接家庭网络和其他可用的Formation设备。Form触摸按钮 **3** 将逐渐发出橙色脉冲光以提示设置模式。Formation Bass还将出现在Bowers & Wilkins Home应用程序中，可以在初始应用程序页面上设置，也可以在应用程序“设置”页面中选择“添加创建产品”后设置。

Formation Bass可全自动管理运行状态和功耗，停止使用后20分钟将切换至节能模式。您无需关闭Formation Bass，但如想关闭，只要断开电源即可。断开电源后，Formation Bass将保留其设置。

短按后放开后面板上的复位按钮 **3**，将重新启动Formation Bass。按下按钮将关闭和再次打开Formation Bass。Formation Bass重启时，将保留所有设置。可以通过Bowers & Wilkins Home应用程序设置页面重新启动Formation Bass。

如想恢复Formation Bass的默认设置，请按下并保持复位按钮5秒。重新启动时，Formation Bass将进入设置模式。Formation Bass复位时，所有设置将删除。您还可以通过Bowers & Wilkins Home应用程序设置菜单复位Formation Bass。

网络设置

在Formation Bass设置模式中，Form **3** 按钮的指示灯脉冲会慢慢变成橙色，然后在iOS或安卓设备上启动Bowers & Wilkins Home应用程序。该应用程序将指导您完成安装过程。

注：在安装过程中，Formation Bass使用蓝牙连接运行Bowers & Wilkins Home应用程序的设备。蓝牙信号的传输距离相对较短，可能会因房间边界而受阻，所以我们建议，在安装过程中，Formation Bass和Bowers & Wilkins Home应用程序设备保持较近距离。

- 在设置模式下，Bowers & Wilkins Home应用程序首先搜索Formation Bass，跳出的对话框将请用户选择其中一项。点击选择您的Formation Bass。如果您已设置好Formation新产品，并想添加一个新产品，请从“应用程序设置菜单”中选择“添加新产品”。
- 接下来，Bowers & Wilkins Home应用程序将请您命名使用Formation Bass的“空间”。除了使用默认空间名称列表，您也可以自行命名。选择或创建空间名称后，应用程序会要求您触摸Formation Bass前面的Form按钮 **3** 以确认该选择。

- 如果Formation Bass使用无线网络连接，下一步是将Formation Bass连接至家庭WiFi网络。应用程序会要求您确认正确的WiFi网络，输入密码。如果Formation Bass使用以太网电缆连接网络路由器，将绕过这一步设置过程。

注：如果已有其他Formation产品连接WiFi网络，Formation Bass设置无需输入WiFi密码。

- 当完成WiFi网络配置和空间选择之后，您就可以使用Formation Bass了。Formation Bass将播放音频提示，确认安装成功。

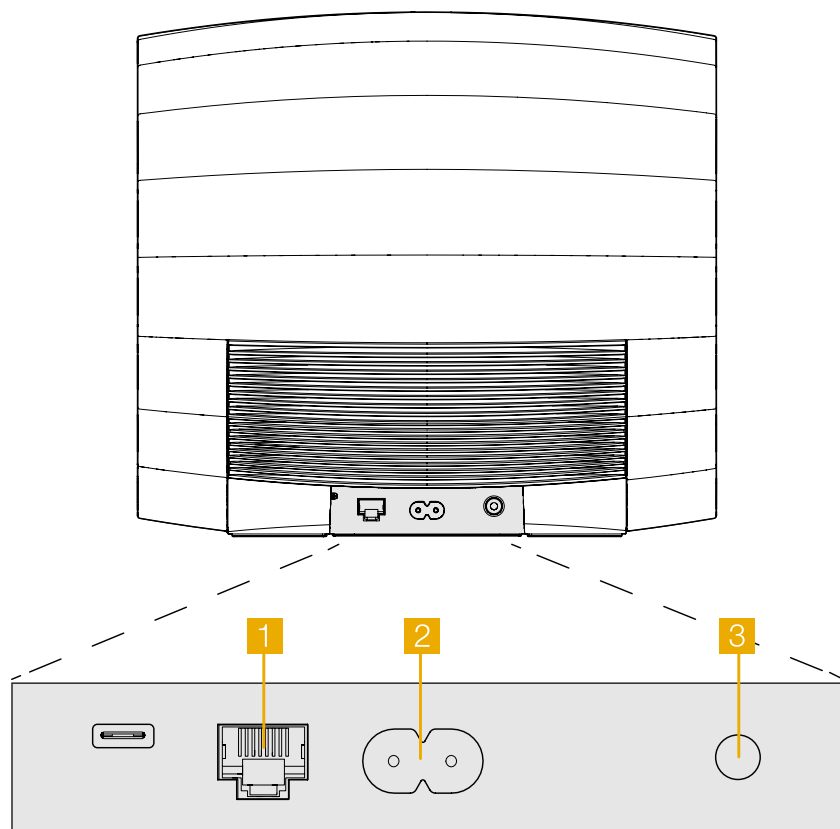


图2
Formation Bass后面板

3. 使用Formation Bass

基本

安装和设定后，Formation Bass将完全自动运行。您可能需要进行的唯一调整是相对配合使用的Formation扬声器的低音炮音量。这将取决于个人喜好和您听音室的声学特性。要调整Formation Bass的音量，请打开Bowers & Wilkins Formation应用程序，然后点击设置图标以打开设置菜单。现在，点击“Formation Bass”以打开其设置页面，然后使用音量滑块进行调整。

注意：请记住Formation Bass低音炮的低频音量电平可能会造成滋扰。如有疑问，请减小音量。

空间 (Spaces)

空间是Formation产品家族的核心概念。Formation“空间”是指在家中欣赏音乐的一个房间或某个特定区域。每个空间都可以包含Formation的不同产品组合。图3显示了可用的配置。

Form按钮指示灯

Formation Bass的Form按钮指示灯变化表示各种操作状态。图4介绍了指示灯情况。

4. Bowers & Wilkins Home应用程序

Formation Bass配置好并连接网络后，Bowers & Wilkins Home应用程序将打开Home屏幕，列出Formation Bass空间和其他可用的Formation空间。

轻击Formation空间，从可用的音频流或输入中选择。如果没有可用的音频流，打开一个流媒体应用程序，例如Spotify，选择要播放的曲目，然后从可用的播放设备列表中选择Formation空间。现在，返回Bowers & Wilkins Home应用程序时，Spotify流将列在Formation Bass空间页面上。

Bowers & Wilkins Home应用程序主页在右上角有一个“设置”图标。点击图标打开应用程序的“设置”菜单。菜单提供配置和复位Formation设备，重新命名Formation空间的选项。应用程序和Formation设备固件更新也从设置菜单启动。

Bowers & Wilkins Home应用程序使用

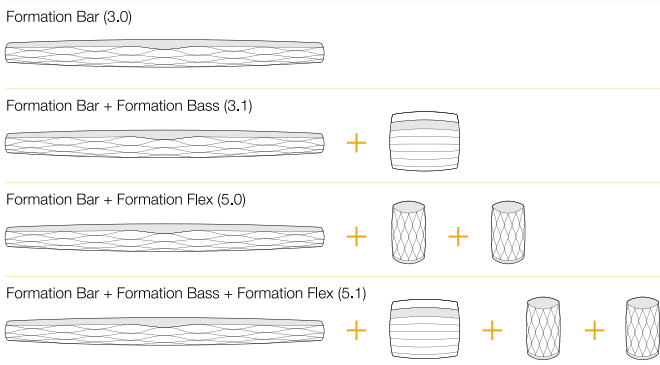
Bowers & Wilkins Home应用程序将在打开时搜索可用的Formation空间，然后显示Home页，列出Formation空间。

在每个空间下，应用程序将显示当前活动。轻点一个活动空间将打开一个“现在播放”屏幕，启用音量和播放/暂停控制。

“正在播放”（now playing）屏幕还提供了一个“可用空间”（Available Spaces）选项，在选定空间中播放的流转移到另一个空间，或在多个空间中播放。“可用空间”（Available Spaces）屏幕还提供控制音量的机会，既可以全局控制所有空间，还能控制单个空间。

点击设置图标就可以打开Bowers & Wilkins Home应用程序设置页面。初始“设置”菜单列出每个空间和每个空间中出现的Formation设备的数量。

TV空间配置



音乐空间配置

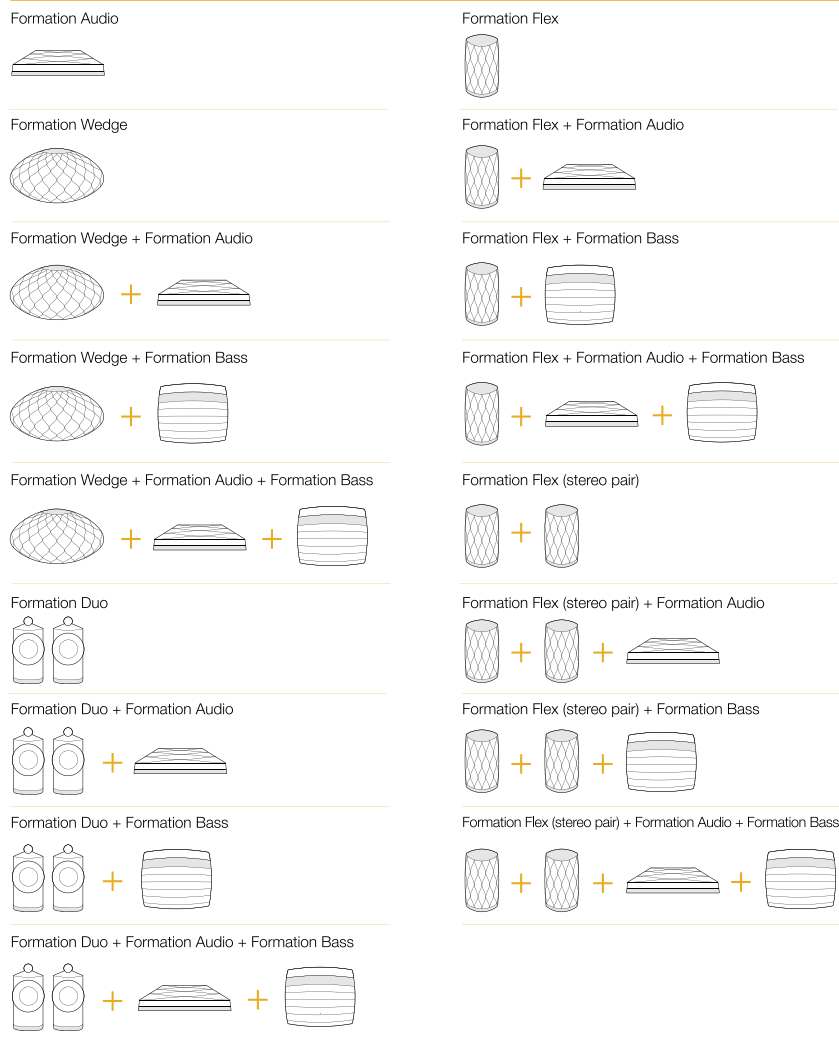


图3 空间配置

轻击“设置”菜单中列出的空间，访问其Space和Formation设备设置。轻击空间名称，访问空间设置，点击设备名称，访问设备设置。可用的设备设置取决于讨论的设备。

注：如果Bowers & Wilkins Home应用程序上的设置图标显示一个黄点，表明Formation固件可以更新。固件更新过程从设置菜单启动。Bowers & Wilkins Home应用程序和Formation设备应保持最新的版本和固件。这不仅有助于确保最可靠的性能，还将确保从Formation Bass新功能收益。

5. 清洁

如果Formation Bass需要清洁，可以用干净的绒布擦拭表面，用软刷刷扫格栅。如果想使用清洗液，请将其涂在清洁布上，而不是直接涂在Formation Bass上。首先测试一小块区域，因为一些清洗产品可能会损坏某些表面。避免使用含有酸、碱或抗菌剂的磨料制品。

6. 支持

如需要进一步的帮助或建议，请访问Formation技术支持网站：www.bowerswilkins.com/support。

环境信息

本产品符合国际指令，包括但不限于《电子电气设备中限制使用某些有害物质指令》（RoHS）、《化学品的注册、评估、授权和限制》（REACH）和《报废电子电气设备指令》（WEEE）。请咨询当地废物处理主管机构如何有效地回收或处置这些废物。

指标	操作状态
闪烁白光	正在启动
脉冲黄光	准备启动
闪烁黄光	正在固件更新
脉冲白光	正在选取音频
脉冲红光	错误-联系支持人员
常亮红光	错误-联系支持人员
闪烁红光	正在工厂复位

图4
Form按钮指示灯

歡迎惠顧Bowers & Wilkins和Formation Bass

感謝您選擇Formation。John Bowers在創建Bowers & Wilkins伊始就堅信富有想象力的設計理念、創新工程和先進技術是開啓家庭音響樂趣的鑰匙。直至今日，這種信念一直激勵著我們設計每一款產品，而Formation在尋求最佳性能的道路從未止步。

Formation Bass是網絡連接的無線低音炮，提供超高性能的增強低頻予Formation Duo，Formation Wedge和Formation Bar音箱。可使用Bowers & Wilkins Home應用程序設定和控制Formation Bass。該應用程序可用於iOS和Android設備。安裝和設定Formation Bass只能使用Bowers & Wilkins Home應用程序完成。

Formation Bass的主要功能：

- 增強Formation Duo，Wedge和Bar揚聲器的低頻性能。

必須使用Bowers & Wilkins Home應用程序來把Formation Bass與家庭網絡相連，以及與家中其他Formation產品相連接。在使用過程中，Bowers & Wilkins Home應用程序還提供一些控制和配置功能。在Formation Bass開始安裝之前，請在iOS或Android設備上下載並安裝Bowers & Wilkins Home應用程序。Bowers & Wilkins Home應用程序需要iOS V11.4以上版本，或Android V8.1以上版本。藍牙和WiFi服務必須在iOS或Android設備上啓用，此外，您還需要知道WiFi網絡密碼。

注：在Formation設置過程中，必須在Android設備上啓用位置服務。這是因為Formation產品使用低功耗藍牙（BT-LE）形式服務通信，在Android設備上，僅在啓用位置服務時才會開啓藍牙。Bowers & Wilkins不會將任何位置服務數據用於營銷目的。

軟件版本-V1.4

額定輸入電源：AC100-120V,AC220-240V,50/60Hz,70W

www.bowerswilkins.com

1. Formation Bass 裝箱單

Formation Bass
適用於您所在區域的電源線
文件包

2. 安裝 Formation Bass

位置

您的 Formation Bass 需要電源來進行操作，因此必須位於電源插座可及的範圍內。如果您的 Formation Bass 將使用有線連接到您的家庭網絡，它將需要位於適當的網絡（以太網）電纜的範圍內。

您的 Formation Bass 揚聲器應放置在地板上，與一同使用的 Formation 揚聲器相距很近。在 Formation Wedge 或 Formation Bar 的情況下，低音炮置於揚聲器正下方或至少相鄰於同一牆壁，可能會產生最佳效果。

如果 Formation Bass 與一對 Formation Duo 揚聲器配合使用，則將 Formation Bass 放在 Formation Duo 揚聲器之間或其中一個揚聲器附近可能會獲得最佳效果。如果考慮到家居因素，將 Formation Bass 放在側面，但仍放在聽眾的前面，是可以接受的折衷方案。Formation Bass 不應位於收聽位置的後面。圖1說明瞭低音炮的位置。

注意：處理 Formation Bass 時要小心，不要損壞位於其外殼兩端的驅動單元振膜。

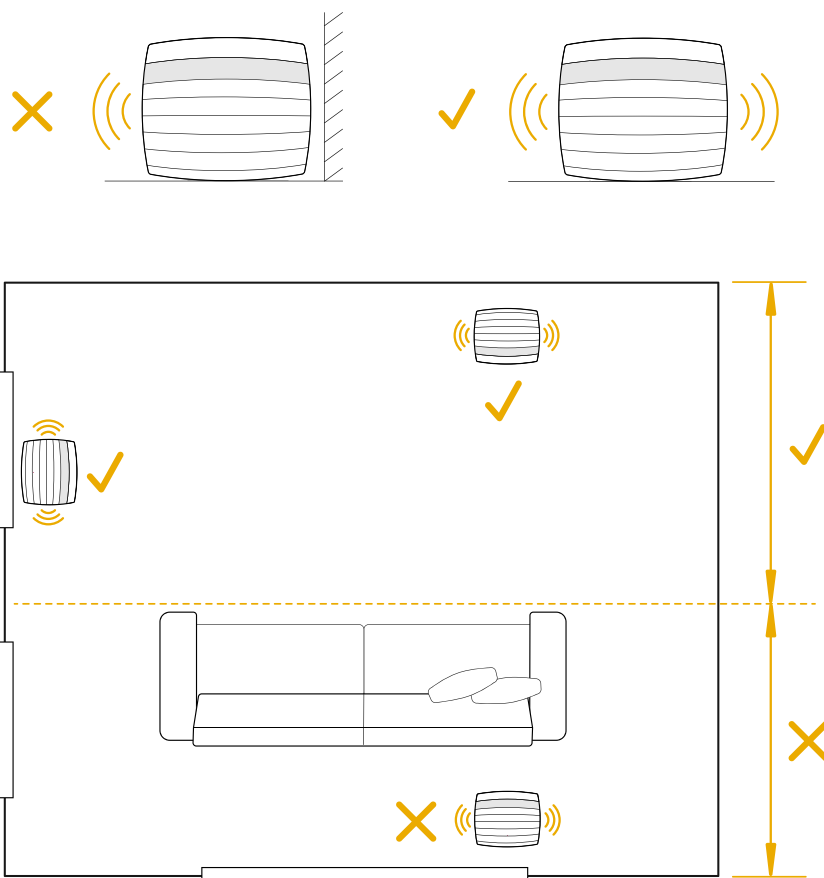


圖1
位置

連接

- 1 RJ-45連接埠 (100Mbps)
- 2 AC連接埠
- 3 復位按鈕
- 4 USB-C (僅用於服務和診斷用途)
- 5 類比聲音輸入 (僅用於服務和診斷用途)

除了電源插座 2，Formation Bass帶有一個用於連接路由器的以太網插座 1。對於無線 (WiFi) 連接，較建議有線網絡連接。

注：Formation Bass後面板上的USB插座僅用於服務和診斷用途。不得用作它途。

Formation Bass沒有有線音頻連接，並且將在設置過程中自動進行設定，以取得網絡音頻串流，並根據配對揚聲器的特性適當地增強低音。與Formation Bar配合使用時，Formation Bass將自動切換到重現杜比環繞聲編碼材料的低頻效果 (LFE) 通道

開關

當一切連接到位，並且Bowers & Wilkins Home應用程序已成功安裝在移動設備上後，您就可以設置和使用Formation Bass了。Formation Bass沒有主電源開關，連接主電源，短啟動後將立即運行。啟動程序完成後，它將播放一個音頻提示。

首次啟動Formation Bass之時，它將自動進入設置模式，使其能夠連接家庭網絡和其他可用的Formation設備。Form觸摸按鈕 將逐漸發出橙色脈衝光以提示設置模式。Formation Bass還將出現在Bowers & Wilkins Home應用程序中，可以在初始應用程序頁面上設置，也可以在應用程序「設置」頁面中選擇「添加創建產品」後設置。

Formation Bass可全自動管理運行狀態和功耗，停止使用後20分鐘將切換至節能模式。您無需關閉Formation Bass，但如想關閉，只要斷開電源即可。斷開電源後，Formation Bass將保留其設置。

短按後放開後面板上的復位按鈕 3，將重新啟動Formation Bass。按下按鈕將關閉和再次打開Formation Bass。Formation Bass重啟時，將保留所有設置。可以通過Bowers & Wilkins Home應用程序設置頁面重新啟動Formation Bass。

如想恢復Formation Bass的默認設置，請按下並保持復位按鈕5秒。重新啟動時，Formation Bass將進入設置模式。Formation Bass復位時，所有設置將刪除。您還可以通過Bowers & Wilkins Home應用程序設置菜單復位Formation Bass。

網絡設置

- 在Formation Bass設置模式中，Form 觸摸按鈕 的指示燈脈衝會慢慢變成橙色，然後在iOS或安卓設備上啟動Bowers & Wilkins Home應用程序。該應用程序將指導您完成安裝過程。

注：在安裝過程中，Formation Bass使用藍牙連接運行Bowers & Wilkins Home應用程序的設備。藍牙信號的傳輸距離相對較短，可能會因房間邊界而受阻，所以我們建議，在安裝過程中，Formation Bass和Bowers & Wilkins Home應用程序設備保持較近距離。

- 在設置模式下，Bowers & Wilkins Home應用程序首先搜索Formation Bass，跳出的對話框將請用戶選擇其中一項。點擊選擇您的Formation Bass。如果您已設置好Formation新產品，並想添加一個新產品，請從「應用程序設置菜單」中選擇「添加新產品」。

- 接下來，Bowers & Wilkins Home應用程序將請您命名使用Formation Bass的「空間」。除了使用默認空間名稱列表，您也可以自行命名。選擇或創建空間名稱後，應用程序會要求您觸摸Formation Bass前面的Form按鈕 以確認該選擇。

- 如果Formation Bass使用無線網絡連接，下一步是將Formation Bass連接至家庭WiFi網絡。應用程序會要求您確認正確的WiFi網絡，輸入密碼。如果Formation Bass使用以太網電纜連接網絡路由器，將繞過這一步設置過程。

注：如果已有其他Formation產品連接WiFi網絡，Formation Bass設置無需輸入WiFi密碼。

- 當完成WiFi網絡配置和空間選擇之後，您就可以使用Formation Bass了。Formation Bass將播放音頻提示，確認安裝成功。

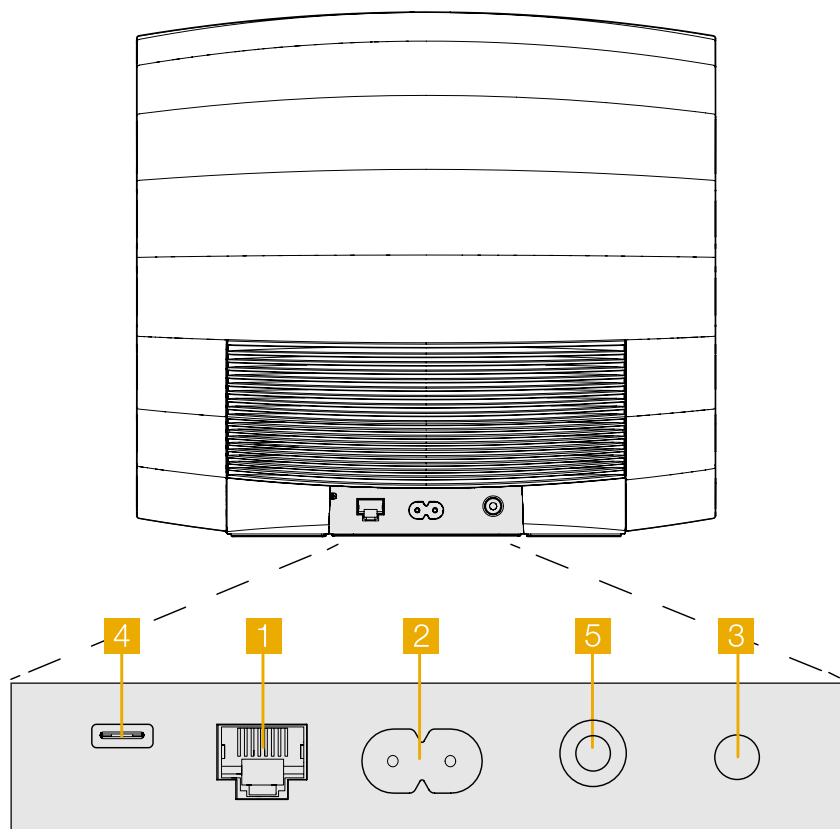


圖2
Formation Bass後面板

3. 使用Formation Bass

基本

安裝和設定後，Formation Bass將完全自動運行。您可能需要進行的唯一調整是相對配合使用的Formation揚聲器的低音炮音量。這將取決於個人喜好和您聽音室的聲學特性。要調整Formation Bass的音量，請打開Bowers & Wilkins Formation應用程序，然後點擊設置圖標以打開設置菜單。現在，點擊「Formation Bass」以打開其設置頁面，然後使用音量滑塊進行調整。

注意：請記住Formation Bass低音炮的低頻音量電平可能會造成滋擾。如有疑問，請減小音量。

空間 (Spaces)

空間是Formation產品家族的核心概念。Formation「空間」是指在家中欣賞音樂的一個房間或某個特定區域。每個空間都可以包含Formation的不同產品組合。圖3顯示了可用的配置。

Form按鈕指示燈

Formation Bass的Form按鈕指示燈變化表示各種操作狀態。圖4介紹了指示燈情況。

4. Bowers & Wilkins Home應用程序

Formation Bass配置好並連接網絡後，Bowers & Wilkins Home應用程序將打開Home屏幕，列出Formation Bass空間和其他可用的Formation空間。

輕擊Formation空間，從可用的音頻流或輸入中選擇。如果沒有可用的音頻流，打開一個流媒體應用程序，例如Spotify，選擇要播放的曲目，然後從可用的播放設備列表中選擇Formation空間。現在，返回Bowers & Wilkins Home應用程序時，Spotify流將列在Formation Bass空間頁面上。

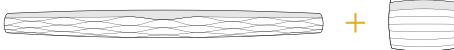
Bowers & Wilkins Home應用程序主頁在右上角有一個「設置」圖標。點擊圖標打開應用程序的「設置」菜單。菜單提供配置和復位Formation設備，重新命名Formation空間的選項。應用程序和Formation設備固件更新也從設置菜單啟動。

TV空間配置

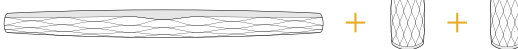
Formation Bar (3.0)



Formation Bar + Formation Bass (3.1)



Formation Bar + Formation Flex (5.0)



Formation Bar + Formation Bass + Formation Flex (5.1)



音樂空間配置

Formation Audio



Formation Wedge



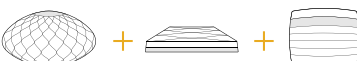
Formation Wedge + Formation Audio



Formation Wedge + Formation Bass



Formation Wedge + Formation Audio + Formation Bass



Formation Duo



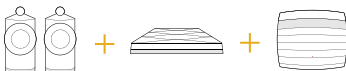
Formation Duo + Formation Audio



Formation Duo + Formation Bass



Formation Duo + Formation Audio + Formation Bass



Formation Flex



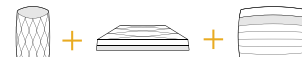
Formation Flex + Formation Audio



Formation Flex + Formation Bass



Formation Flex + Formation Audio + Formation Bass



Formation Flex (stereo pair)



Formation Flex (stereo pair) + Formation Audio



Formation Flex (stereo pair) + Formation Bass



Formation Flex (stereo pair) + Formation Audio + Formation Bass

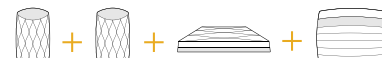


圖2
空間配置

Bowers & Wilkins Home 應用程序使用

Bowers & Wilkins Home 應用程序將在打開時搜索可用的 Formation 空間，然後顯示 Home 頁，列出 Formation 空間。

在每個空間下，應用程序將顯示當前活動。輕點一個活動空間將打開一個「現在播放」屏幕，啓用音量和播放/暫停控制。

「正在播放」(now playing) 屏幕還提供了一個「可用空間」(Available Spaces) 選項，在選定空間中播放的流轉移到另一個空間，或在多個空間中播放。「可用空間」(Available Spaces) 屏幕還提供控制音量的機會，既可以全局控制所有空間，還能控制單個空間。

點擊設置圖標就可以打開 Bowers & Wilkins Home 應用程序設置頁面。初始「設置」菜單列出每個空間和每個空間中出現的 Formation 設備的數量。

輕擊「設置」菜單中列出的空間，訪問其 Space 和 Formation 設備設置。輕擊空間名稱，訪問空間設置，點擊設備名稱，訪問設備設置。可用的設備設置取決於討論的設備。

注：如果 Bowers & Wilkins Home 應用程序上的設置圖標顯示一個黃點，表明 Formation 固件可以更新。固件更新過程從設置菜單啓動。Bowers & Wilkins Home 應用程序和 Formation 設備應保持最新的版本和固件。這不僅有助於確保最可靠的性能，還將確保從 Formation Bass 新功能收益。

5. 清潔

如果 Formation Bass 需要清潔，可以用乾淨的絨布擦拭表面，用軟刷刷掃格柵。如果想使用清洗液，請將其塗在清潔布上，而不是直接塗在 Formation Bass 上。首先測試一小塊區域，因為一些清洗產品可能會損壞某些表面。避免使用含有酸、鹼或抗菌劑的磨料製品。

6. 支持

如需要進一步的幫助或建議，請訪問 Formation 技術支持網站：www.bowerswilkins.com/support。

環境信息

本產品符合國際指令，包括但不限於《電子電氣設備中限制使用某些有害物質指令》(RoHS)、《化學品的註冊、評估、授權和限制》(REACH) 和《報廢電子電氣設備指令》(WEEE)。請諮詢當地廢物處理主管機構如何有效地回收或處置這些廢物。

指標	操作狀態
閃爍白光	正在啓動
脈衝黃光	準備啓動
閃爍黃光	正在固件更新
脈衝白光	正在選取音頻
脈衝紅光	錯誤-聯繫支持人員
常亮紅光	錯誤-聯繫支持人員
閃爍紅光	正在工廠復位

圖3
Form 按钮指示灯

Bowers & Wilkins、Formation Bass によるこそ。

Formation をお選びいただきありがとうございます。Bowers & Wilkins の創業者ジョン・バウワースは、独創的なデザイン、革新的なエンジニアリング、そして最先端のテクノロジーは、家庭でオーディオを楽しむための鍵であるとの信念のもとに、B&W を設立しました。この信念は、私たちがデザインする一つひとつの製品に脈々と生かされ、最も先進的な作品として実現したのが「Formation」です。

Formation Bass は、ネットワークでつながった、ワイヤレスサブウーファースで、Formation Duo、Formation Wedge、Formation Bar のスピーカーの極めて優れた低周波パフォーマンスをより強化することを目的に設計されています。Formation Bass は、Bowers & Wilkins Home アプリを使って構成とコントロールを行います。このアプリには iOS 機器用と Android 機器用があります。Formation Bass のインストールと構成は、Bowers & Wilkins Home アプリを使ってのみ可能です。

Formation Bass では以下が可能です：

- ・ Formation Duo、Formation Wedge、Formation Bar のスピーカーの低周波パフォーマンスを強化します。

Bowers & Wilkins Home アプリを使うには、お持ちの Formation Bass をご自宅のネットワークに接続し、また、ご自宅の中にある他の Formation 製品との接続を確立させる必要があります。Bowers & Wilkins Home アプリは、使用中のコントロールや構成機能も提供しています。Formation Bass の設置前に、Bowers & Wilkins Home アプリを、お持ちの iOS 機器または Android 機器にダウンロードし、インストールしてください。Bowers & Wilkins Home アプリには、iOS V11.4 以降、または Android V8.1 以降が必要です。お持ちの iOS 機器または Android 機器で、Bluetooth と Wi-Fi サービスを有効にしなければなりません。お使いの Wi-Fi ネットワークのパスワードも必要になります。

ご注意：Android 機器では、Formation のセットアップ中は位置情報サービスを有効にしておかなければなりません。これは、Formation 製品では、サービスコミュニケーションに低消費電力の Bluetooth (BT-LE) を使用しますが、Android 機器では、位置情報サービスが有効になっているときのみ、Bluetooth (BT-LE) がオンになるためです。Bowers & Wilkins は、位置情報サービスをマーケティング目的で使用することはありません。

1. Formation Bass の同梱品

Formation Bass

お使いの地域に適切な電源ケーブルセット
ドキュメントパック

2. Formation Bass の設置

設置場所

Formation Bass の動作にはコンセントからの電源が必要なので、電源コンセントに届く位置に設置しなければなりません。Formation Bass スピーカーをご自宅のネットワークに有線で接続する場合は、適切なネットワーク (Ethernet) ケーブルが届く範囲内に設置する必要があります。

お使いの Formation Bass スピーカーは、組み合わせて使用する Formation スピーカーに適度に近い距離の床の上に設置してください。Formation Wedge か Formation Bar の場合は、サブウーファアの位置は、スピーカーの真下か、あるいは、少なくともスピーカーが接するのと同じ壁に隣接する位置に設置すると、最高の結果を生む可能性が高くなります。

Formation Bass を Formation Duo のペアスピーカーと組み合わせる場合は、Formation Bass を Formation Duo スピーカーの間に置くか、Formation Duo スピーカーのどちらかの近くに置くと、最高の結果を生む可能性が高くなります。ご自宅の諸事情でこれが難しい場合は、Formation Bass を、部屋の側方でリスナーの前方になるように配置することは、許容できる解決策となります。Formation Bass は、リスニングポジションの後ろ側には置かないでください。サブウーファアの理想的な配置位置は図1をご参照ください。

ご注意：Formation Bass の取り扱いでは、エンクロージャーの両端部にあるドライバーダイアフラムを傷つけないように注意してください。

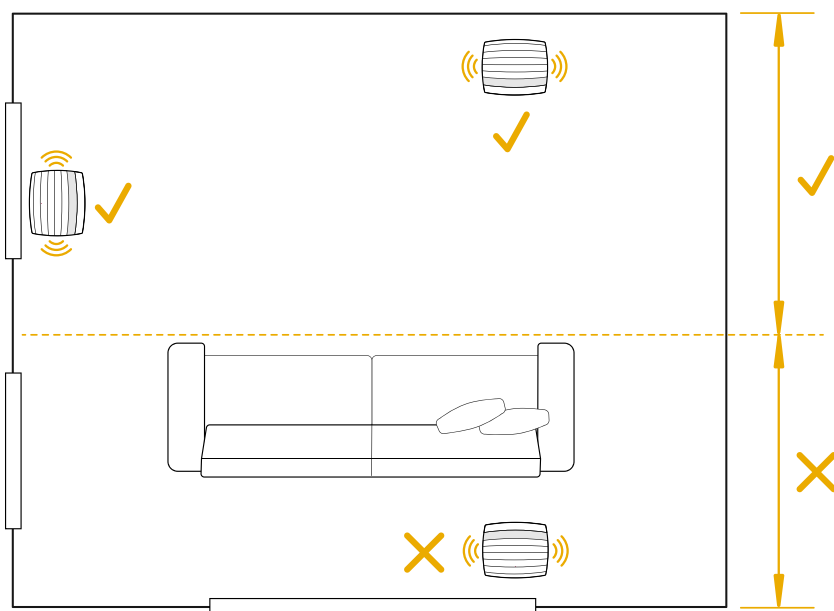
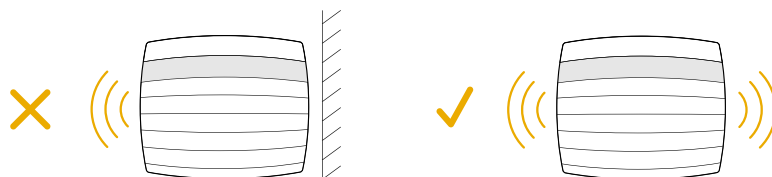


図1
配置位置

接続

電源ソケット²に加えて、Formation Bassには、ワイヤレス (Wi-Fi) よりも有線のネットワーク接続をご希望の方のためにEthernet端子¹を搭載しています。

ご注意：Formation Bass リアパネルにあるUSB端子は、サービスと故障診断の目的だけに使用されます。それ以外の目的に使用することはできません。

Formation Bassには有線のオーディオ接続はなく、セットアップ時に自動的に構成し、ネットワークのオーディオストリーミングサービスにアクセスし、組み合わせたスピーカーの性能に合わせて適切に低音を強化します。Formation BassをFormation Barと組み合わせると、ドルビーサラウンド (Dolby Surround) 方式にエンコードされたコンテンツでは、自動的に切り替わって、低音増強 (LFE) チャンネルを再現します。

スイッチのオン/オフ

すべての接続が完了し、Bowers & Wilkins Home アプリをお持ちのモバイル機器にインストールすると、Formation Bassのセットアップの準備が整います。Formation Bassには電源スイッチがないので、Formation Bassが電源に接続され、短時間のスタートアップルーチン後、直ちに操作可能となります。スタートアップルーチンが完了すると、音声ガイドが聞こえます。

未使用のFormation Bassのスイッチを初めてオンにすると、ご自宅のネットワークや、使用可能な他のFormation機器に接続できるようにするために、自動的にセットアップモードに入ります。セットアップモードでは、Formタッチボタン³がゆっくりとオレンジ色にパルス点滅します。Formation Bassは、Bowers & Wilkins Homeアプリの最初のページか、またはアプリの [設定] ページで [Formation製品を追加する] を選択すると、セットアップが可能としても表示されます。

Formation Bassは動作状態と電力消費を完全に自動管理し、20分間使用されない場合はパワーセーブモードに切り替わります。Formation Bassのスイッチをオフにする必要はありませんが、オフにしたい場合は電源から切り離してください。Formation Bassでは、電源がなくても設定はそのまま保持されます。

Formation Bassを再起動するには、リアパネルにあるリセットボタン³を短い時間押しして離します。このボタンを押すと、Formation Bassのオン/オフが切り替わります。Formation Bassを再起動しても、全設定はそのまま保持されます。Bowers & Wilkins Homeアプリの [設定] ページからもFormation Bassを再起動することができます。

Formation Bassをデフォルト設定にリセットしたい場合は、リセットボタンを5秒間長押ししてください。再起動すると、Formation Bassはセットアップモードに入ります。Formation Bassをリセットすると、全設定は消去されます。Bowers & Wilkins Homeアプリの [設定] ページからもFormation Bassをリセットすることができます。

ネットワークのセットアップ

Formation Bassがセットアップモードで、Formボタン³がゆっくりとオレンジ色に点滅していたら、お持ちのiOS機器またはAndroid機器でBowers & Wilkins Homeアプリを起動します。アプリのガイドが、セットアップの開始から終了までをご案内します。

ご注意：Formation Bassは、セットアップ中、Bowers & Wilkins Homeアプリを実行する機器への接続にBluetoothを使用します。Bluetoothの信号は比較的近距离で、部屋の間の仕切りによって妨げられる場合があるので、セットアップ中は、Formation BassをBowers & Wilkins Homeアプリを実行する機器のすぐ近くに置いておくことをお勧めします。

Bowers & Wilkins Homeアプリは、セットアップモードで最初にFormation製品を検出し、画面に表示された製品の中から1つを選ぶように促します。 [Formation Bass] をタップして選択します。既にFormation製品をセットアップ済みで、これに追加する場合は、アプリの [設定] メニューから [Formation製品を追加する] を選択します。

次に、Bowers & Wilkins Homeアプリが、Formation Bassをご使用になるSpaceに名前を付けるように促します。デフォルトでSpace用の名前が提供されますが、ご自分で名前を作成することもできます。Spaceの名前を選択するか、名前を作成すると、Formation Bassの上面にあるFormボタン³をタッチして、選択を確定するようにアプリから促されます。

Formation Bassにワイヤレスネットワーク接続をご使用になる場合は、次のセットアップ段階で、Formation Bassをご自宅のWi-Fiネットワークに接続します。アプリは、正しいWi-Fiネットワークを確認し、そのネットワークのパスワードを入力するように促します。Formation BassがEthernetケーブルを使ってネットワークに接続されている場合は、セットアップのこの段階は省略されます。

ご注意：他のFormation製品が既にWi-Fiネットワークに接続されている場合は、Formation BassのセットアップでWi-Fiのパスワードを入力する必要はありません。

Wi-Fiネットワークの構成とSpaceの選択を完了します。これで、Formation Bassをご使用になる準備が整いました。Formation Bassのセットアップに成功したことを確認する音声ガイドが聞こえます。

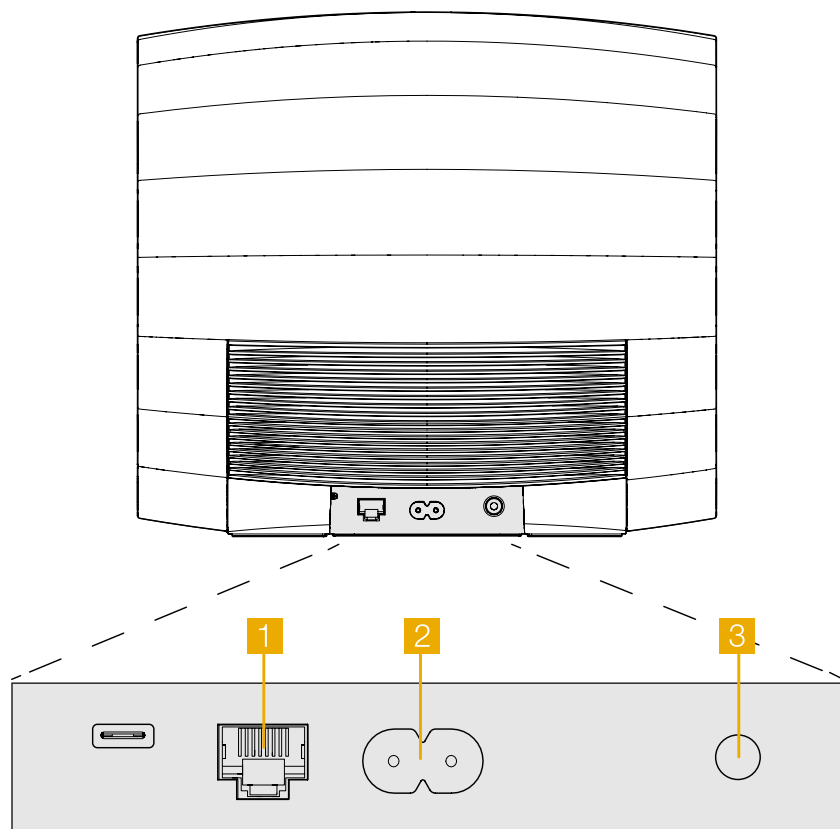


図2
Formation Bass リアパネル

3. Formation Bass を使う

基本操作

設置と構成が終了すると、Formation Bassは完全に自動的に動作します。調節が必要な可能性があるのは、組み合わせたFormationスピーカーに対するサブウーファースの相対的な音量を調整することだけです。これは、リスナーの好みと、リスニングルームの音響特性によって変わります。Formation Bassの音量を調整するには、Bowers & Wilkins Formationアプリを開き、[設定] アイコンをタップして [設定] メニューを開きます。次に [Formation Bass] をタップして設定ページを開き、音量スライダーを使って、調節します。

ご注意：Formation Bass サブウーファースは、不快感を与える可能性のある低周波数の音量レベルの再生が可能です。気になる場合には、音量を下げてください。

Space

「Space」は、Formation 製品ファミリーの中核となるコンセプトです。Formationの「Space」は、音楽を聴く、自宅の中の部屋や特定のエリアのことです。Spaceごとに、異なるFormation製品を組み合わせてすることができます。可能な構成は図3をご参照ください。

Form ボタンのライト

Formation Bass Form ボタンのライトは、様々なステータスを示すために変化します。ライトが示すステータスについては図4をご参照ください。

4. Bowers & Wilkins Home アプリ

Formation Bassが構成され、ネットワークに接続されると、Bowers & Wilkins Homeアプリのホーム画面が開き、Formation Bass Spaceと、使用可能な他のFormation Spaceのリストが表示されます。

Formation Spaceの1つをタップして、利用可能なストリームや入力を選択します。利用できるストリームがない場合は、Spotifyなどのストリーミングアプリを開き、再生するアイテムを選び、使用できる再生機器のリストの中から、[Formation Space] を選択します。これで、Bowers & Wilkins Homeアプリに戻ると、SpotifyのストリーミングがFormation BassのSpaceページに表示されます。

Bowers & Wilkins Homeアプリのホームページの右上角に [設定] アイコンがあります。このアイコンをタップして、アプリの [設定] メニューを開きます。[設定] メニューには、Formation機器の構成とリセット、Formation Spaceの名前の変更のオプションがあります。アプリとFormation機器のファームウェアのアップデートも、[設定] メニューから開始します。

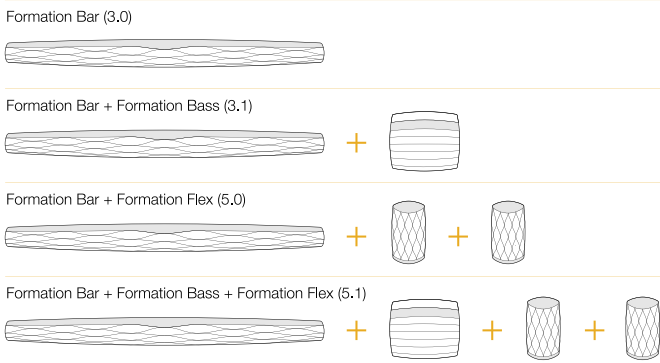
Bowers & Wilkins Homeアプリの使い方

Bowers & Wilkins Homeアプリを開くと、使用できるFormation Spaceをアプリが検出し、そのリストをホームページに表示します。

このアプリでは、各Spaceの下に、そのSpaceの現在のアクティビティが表示されます。アクティブなSpaceをタップすると、[再生中] の画面が開き、音量と再生/一時停止をコントロールできます。

[再生中] 画面では、[使用可能なSpace] オプションも利用でき、これを使って、選択されたSpaceで再生中のストリームを別のSpaceで再生する、あるいは複数のSpaceで再生することができます。[使用可能なSpace] 画面では、すべてのSpace全体の、あるいは個々のSpaceの音量をコントロールすることもできます。

TV用Spaceの構成



音楽用Spaceの構成

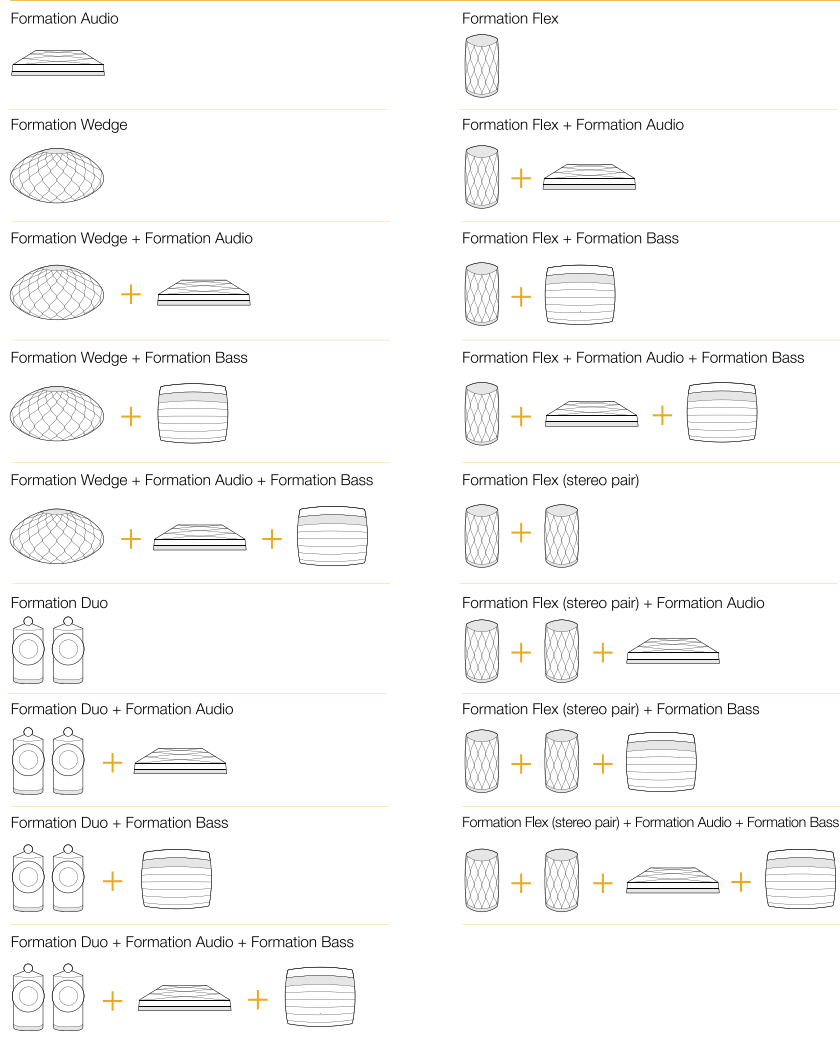


図3 Spaceの構成

Bowers & Wilkins Home アプリの [設定] ページは、[設定] アイコンをタップして開きます。最初の [設定] メニューでは、各 Space のリストと、それぞれの Space にある Formation 機器の数が表示されます。

[設定] メニューのリストにある1つの Space をタップすると、その Space と Formation 機器の設定にアクセスします。Space の名前をタップして、Space の設定にアクセスし、機器の名前をタップして、機器の設定にアクセスします。使用可能な機器の設定は、当該機器によって異なります。

ご注意：Bowers & Wilkins Home アプリの [設定] アイコンがオレンジ色の点 (アイコン+点) を表示している場合は、Formation ファームウェアのアップデートが可能なことを示しています。ファームウェアのアップデートプロセスは、[設定] メニューから開始します。Bowers & Wilkins Home アプリと Formation 機器は、最新版のファームウェアを使って常に最新の状態に保つようにしてください。これは、最も信頼性のあるパフォーマンスだけでなく、新しい Formation の機能を確実に利用できるようにするためです

5. クリーニング

Formation Bass をクリーニングする必要がある場合は、清潔な、毛玉のないクロスで上面部を拭き、柔らかなブラシでグリルのほこりを払います。洗浄液を使う場合は、清潔なクロスに塗布してから使用し、Formation Bass に直接塗布しないでください。クリーナーによっては製品の表面に損傷を与える可能性がありますので、最初に目立たない場所で試してください。研磨剤や、酸、アルカリ、抗菌剤を含むクリーナーは使用しないでください。

6. サポート

お使いの Formation Bass に関してお困りの点やアドバイスが必要な場合は、以下の Formation サポートサイトをご覧ください www.bowerswilkins.com/support。

環境情報

本製品は、「電気・電子機器に含まれる特定有害物質の使用制限に関する欧州議会及び理事会指令 (RoHS 指令)」、「化学物質の登録、評価、認可及び制限に関する規制 (REACH 規則)」、並びに「電気・電子機器廃棄物指令 (WEEE 指令)」を含むがこれらに限定されない国際的な指令に準拠しています。本製品のリサイクルまたは適切な廃棄方法については、お住まいの地域の廃棄物処理局にお問い合わせください。

インジケータ	ステータス
白色の点滅	スタートアップが進行中
オレンジ色のパルス点滅	セットアップの準備完了
オレンジ色の点滅	ファームウェアのアップデート中
白色のパルス点滅	オーディオのブル配信が進行中
赤色のパルス点滅	エラーサポートに連絡してください
赤色の点灯	エラーサポートに連絡してください
赤色の点滅	出荷時設定へのリセットが進行中

図4
Form ボタンのライト

Welcome to Bowers & Wilkins and Formation Bass.

Formation 제품을 구매하여 주셔서 감사합니다. Bowers & Wilkins의 창립자 John Bowers는 가정에서 오디오의 즐거움을 느끼게 하는 중요한 요소는 창의력이 풍부한 디자인, 혁신적 엔지니어링과 고도의 기술이라고 확신하였습니다. 그 신념은 현재도 Bowers & Wilkins가 디자인한 모든 제품에서 공유되고 있으며 Formation은 이를 가장 진보된 기술로 표현하고 있습니다.

Formation Bass는 네트워크에 연결하여 사용하는 무선 서브우퍼로서 Formation Duo, Formation Wedge 및 Formation Bar 스피커와 함께 사용하여 고음질 저음을 재생합니다. Formation Bass는 Bowers & Wilkins Home 앱을 사용하여 설정, 컨트롤합니다. Bowers & Wilkins Home 앱을 통해서만 Formation Bass를 설치하고 설정할 수 있습니다.

Formation Bass는 아래와 같이 사용하실 수 있습니다:

- Formation Duo, Wedge 및 Bar 스피커의 베이스 퍼포먼스를 향상시킵니다.

Bowers & Wilkins Home 앱은 Formation Bass를 홈 네트워크에 연결하고 또다른 Formation 제품과 연결하기 위해 필요합니다. Bowers & Wilkins Home 앱은 사용 중의 일부 컨트롤이나 구성 기능을 제공합니다. Formation Bass 설치를 시작하기 전에 iOS 또는 Android 기기에 Bowers & Wilkins Home 앱을 다운로드하여 설치하십시오. Bowers & Wilkins Home 앱에는 iOS V11.4 이상 또는 Android V8.1 이상이 필요합니다. iOS 및 Android 기기에서 Bluetooth 및 WiFi 서비스가 활성화되어 있어야 합니다. 또한 WiFi 네트워크 비밀번호를 알아야 합니다.

주의: Formation 설정 프로세스 중에 Android 기기는 위치 서비스를 사용하도록 설정해야 합니다. Formation 제품이 서비스 통신에 저전력 Bluetooth (BT-LE) 형태의 Bluetooth를 사용하기 때문에 위치 서비스가 활성화된 경우에만 Android 기기에서 켜집니다. Bowers & Wilkins는 마케팅 목적으로 위치 서비스 데이터를 사용하지 않습니다.

1. Formation Bass 내용물

Formation Bass
전원 케이블 세트
설명서

2. Formation Bass 설치

위치

Formation Bass는 전원 소켓과 가까이 있어야 하며 전원만 연결되면 작동할 수 있습니다. Formation Bass를 네트워크 라우터에 유선 연결하여 사용할 경우 이더넷 케이블 범위 내에 있어야 합니다.

Formation Bass 스피커는 Formation 스피커에 근접한 바닥에 배치해야 합니다. Formation Wedge 또는 Formation Bar와 함께 사용할 경우 Formation Bass를 Formation 스피커 바로 아래 또는 동일한 벽 근처에 배치해야 최고의 퍼포먼스를 얻을 수 있습니다.

Formation Bass와 한 쌍의 Formation Duo 스피커를 사용할 경우 Formation Bass가 Formation Duo 사이 또는 어느 한 대 가까이 배치해야 최고의 퍼포먼스를 얻을 수 있습니다. Formation Bass를 측면에 배치할 경우 최소한 리스너의 전방에 위치해야 합니다. Formation Bass를 리스너의 후방에 배치하면 안 됩니다. 그림 1은 서브 우퍼의 배치 위치를 나타냅니다.

참고: Formation Bass를 다룰 때는 인클로저의 양 옆의 드라이버 다이어프램이 손상되지 않도록 주의하십시오.

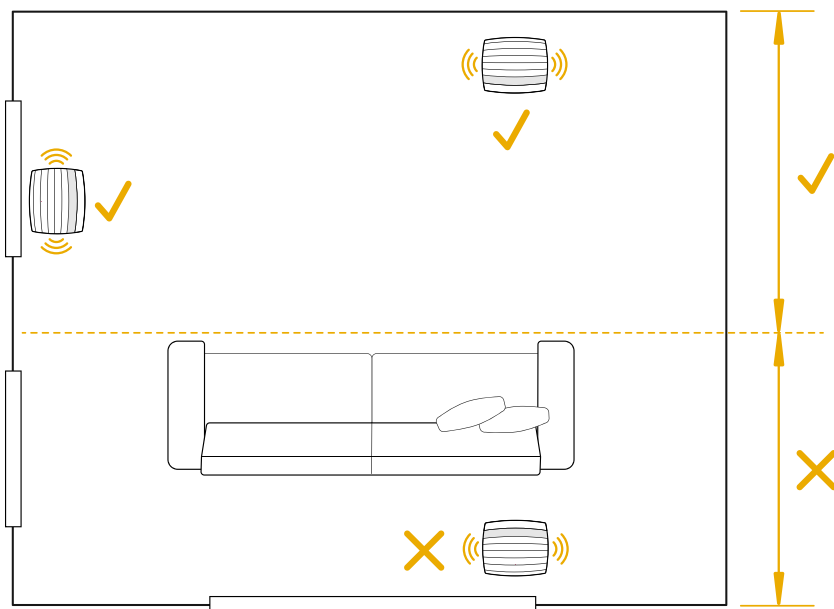
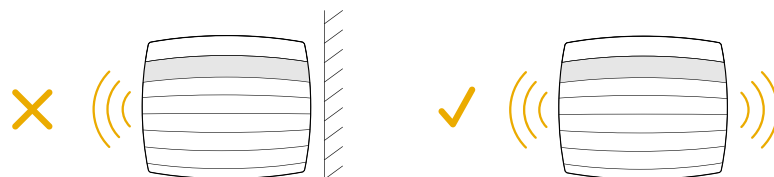


그림 1
배치 위치

연결

전원 소켓 2 옆에 신호를 무선으로 수신(WiFi)하는 라우터를 유선으로 연결할 수 있는 이더넷 소켓 1이 있습니다.

참고: Formation Bass 후면 패널에 있는 USB 소켓은 서비스 용도로만 사용됩니다. 다른 용도로는 사용할 수 없습니다.

Formation Bass는 유선으로 연결할 수 없으며 설치 과정에서 네트워크 오디오 스트림에 액세스하여 파트너 스피커의 특성에 따라 자음을 적절하게 향상시키도록 자동으로 설정됩니다. Formation Bar와 함께 사용할 경우 Formation Bass는 Dolby Surround 프로그램의 LFE (Low Frequency Effect)를 재생하도록 자동 전환됩니다.

전원 On/Off

모든 연결을 마치고 모바일 기기에 Bowers & Wilkins Home 앱이 설치되면 이제 Formation Bass를 설정하고 사용할 수 있습니다. Formation Bass에는 전원 스위치가 없으며 빠른 시작 절차에 따라 전원이 연결되는 즉시 작동합니다. 시작 절차가 완료되면 오디오 프롬프트가 재생됩니다.

최초로 Formation Bass를 켜면 홈 네트워크 및 사용 가능한 다른 Formation 기기에 연결할 수 있는 설정 모드로 자동 전환됩니다. 설정 모드는 Form 터치 버튼 4의 느린 주황색 필스 조명으로 표시됩니다. Formation Bass는 Bowers & Wilkins Home 앱의 시작 페이지에서 또는 설정 페이지에서 'Add Formation product'를 선택한 후 설정할 수 있습니다.

Formation Bass는 자동으로 작동 상태와 소비 전력이 관리되며 20분 이상 사용하지 않으면 절전 모드로 자동 전환됩니다. Formation Bass를 끌 필요는 없지만 필요할 경우 전원 코드를 뽑으십시오. Formation Bass는 전원이 꺼져도 설정은 유지됩니다.

후면 패널에 위치한 리셋 버튼을 짧게 누르면 Formation Bass를 다시 시작할 수 있습니다 3. 버튼을 누르면 Formation Bass 전원이 꺼졌다 다시 켜집니다. Formation Bass가 다시 시작되어도 모든 설정은 유지됩니다. Bowers & Wilkins Home 앱 설정 페이지에서도 Formation Bass를 다시 시작할 수 있습니다.

Formation Bass를 기본 설정으로 재설정하려면 리셋 버튼을 5초 동안 누르십시오. 다시 시작하면 Formation Bass가 설정 모드로 들어갑니다. Formation Bass가 재설정되면 모든 설정이 삭제됩니다. Bowers & Wilkins Home 앱 설정 메뉴에서도 Formation Bass를 재설정 할 수 있습니다.

네트워크 설정

- Formation Bass가 설정 모드로 들어가면 Form 4 버튼을 주황색으로 느리게 깜빡입니다. iOS 또는 Android 기기에서 Bowers & Wilkins Home 앱을 시작하면 프롬프트가 설정 과정을 안내합니다.

참고: Formation Bass를 설정하는 동안 Bowers & Wilkins Home 앱은 Bluetooth로 실행됩니다. Bluetooth 신호는 도달 거리가 비교적 짧고 실내 구조에 의해 방해 받을 수 있으므로 설정 중에는 Formation Bass와 Bowers & Wilkins Home 앱 기기를 가까이 두는 것을 권장합니다.

- Bowers & Wilkins Home 앱은 먼저 설정 모드에서 Formation 제품을 검색하고 하나를 선택하라는 화면을 표시합니다. Formation Bass를 선택하십시오. 이미 Formation 제품을 설정했으나 제품을 추가할 경우 앱 설정 메뉴에서 'Add Formation product'를 선택하십시오.
- Bowers & Wilkins Home 앱은 다음으로 Formation Bass를 사용할 "space"의 이름 설정으로 넘어갑니다. 기본 등록된 이름 목록이 제공되지만 직접 만들 수도 있습니다. 이름을 선택하거나 만들면 앱에서 Formation Bass 앞면의 Form 4 버튼을 터치하여 선택을 확인하라는 메시지를 표시합니다.

- Formation Bass의 무선 네트워크 연결을 사용하려면 다음 설정 단계에서 Formation Bass를 홈 WiFi 네트워크에 연결하십시오. 앱에서 WiFi 네트워크를 확인하라는 메시지가 표시되고 비밀번호를 입력하라는 메시지가 표시됩니다. 이더넷 케이블을 사용하여 Formation Bass를 네트워크 라우터에 연결할 경우, 이 설정 프로세스 단계는 생략됩니다.

참고: WiFi 네트워크에 이미 다른 Formation 제품이 연결되어 있으면 Formation Bass 설정에서 WiFi 비밀번호를 입력하지 않아도 됩니다.

- WiFi 네트워크 구성 및 스페이스 선택이 완료되면 Formation Bass를 사용할 수 있습니다. Formation Bass의 설정이 완료되면 오디오 프롬프트가 재생됩니다.

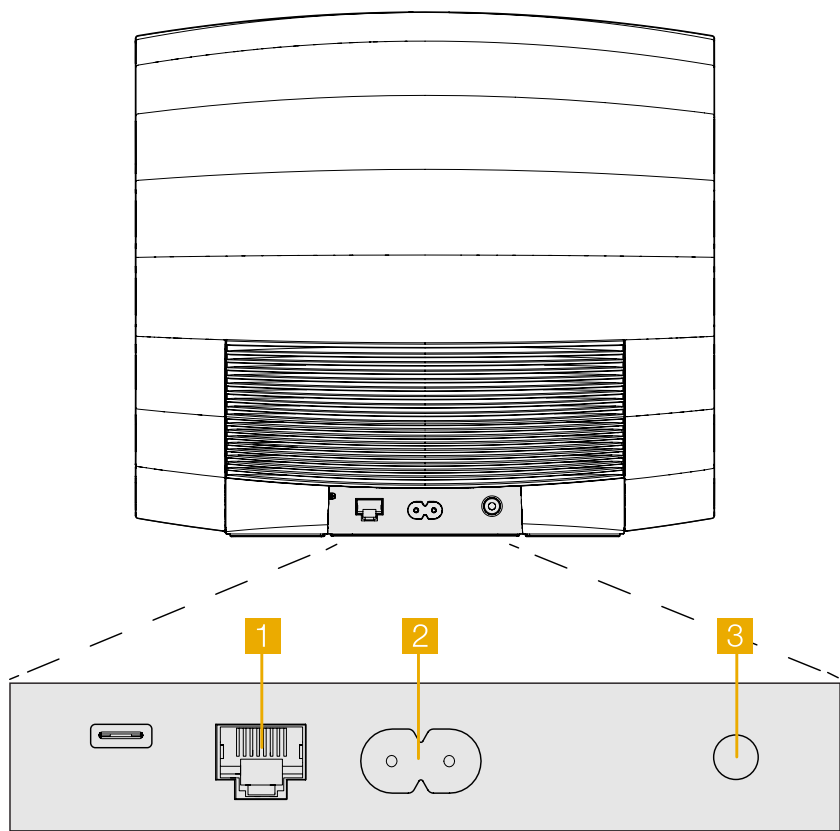


그림 2
Formation Bass 후면 패널

3. Formation Bass 사용하기

기본

일단 설치와 설정이 완료되면 Formation Bass는 자동으로 동작합니다. 함께 사용하는 Formation 스피커에 대한 서브 우퍼 볼륨만 조정하면 되며 이는 개인 취향과 리스닝 룸의 음향 특성에 따라 설정할 수 있습니다. Formation Bass의 볼륨을 조절하려면 Bowers & Wilkins Formation 앱을 열어 설정 아이콘을 눌러 설정 메뉴를 여십시오. 'Formation Bass'를 탭하여 설정 페이지를 열고 볼륨 슬라이더를 사용하여 조절하십시오.

참고 : Formation Bass는 고품력 서브우퍼입니다. 저음이 과도하다고 느껴질 경우에는 볼륨을 줄이십시오.

Spaces

스페이스는 Formation의 핵심 컨셉입니다. Formation "Space"는 음악을 들을 수 있는 룸이나 특정 공간입니다. 각 스페이스에는 서로 다른 제품을 조합할 수 있습니다. 그림 3에 가능한 구성을 표시하였습니다.

Form 버튼 조명

Formation Bass Form 버튼 조명은 다양한 동작 상태에 따라 그림 4처럼 변경됩니다.

4. The Bowers & Wilkins Home 앱

Formation Bass를 구성하고 네트워크에 연결하면 Bowers & Wilkins Home 앱이 홈 화면에 열리고 Formation Bass 스페이스와 사용 가능한 다른 Formation 스페이스가 표시됩니다.

Formation 스페이스를 눌러 스트림 또는 입력을 선택하십시오. 사용 가능한 스트림이 없을 경우 스트리밍 앱을 열고 (예: Spotify) 재생할 항목을 선택한 다음 사용 가능한 재생 장치 목록에서 Formation 스페이스를 선택하십시오.

이제 Bowers & Wilkins Home 앱으로 돌아오면 Spotify 스트림이 Formation Bass 스페이스 페이지에 표시됩니다. Bowers & Wilkins Home 앱 홈 페이지의 오른쪽 상단에 설정 아이콘이 있습니다. 아이콘을 누르면 앱 설정 메뉴가 열립니다. 설정 메뉴는 Formation 기기를 구성 및 재설정하고 Formation 스페이스의 이름을 바꾸는 옵션을 제공합니다. 앱 및 Formation 기기 펌웨어 업데이트도 설정 메뉴에서 시작합니다.

Bowers & Wilkins Home 앱 사용하기

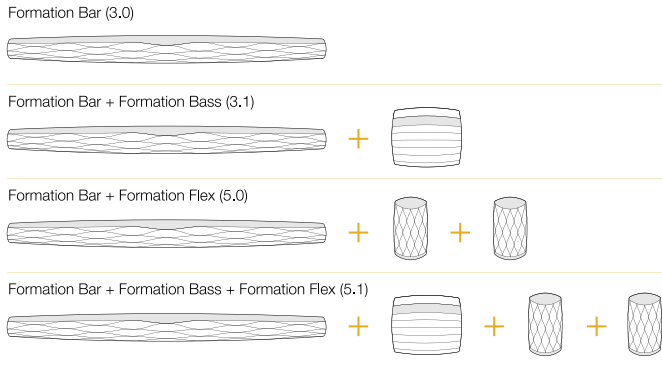
Bowers & Wilkins Home 앱을 열면 사용 가능한 Formation 스페이스를 검색한 후 스페이스가 나열된 홈 페이지를 표시합니다.

각 스페이스 아래에 앱이 현재 액티비티를 표시합니다. 액티브 스페이스를 누르면 'now playing' 화면이 열리고 볼륨과 재생/일시정지 컨트롤이 가능합니다.

'now playing' 화면에는 선택한 공간에서 재생되는 스트림을 다른 스페이스로 전송하거나 여러 스페이스에서 재생할 수 있는 'Available Spaces' 옵션도 있습니다. 'Available Spaces' 화면에서는 모든 스페이스나 개별 스페이스의 볼륨을 할 수 있습니다.

설정 아이콘을 누르면 Bowers & Wilkins Home 앱 설정 페이지가 열립니다. 초기 설정 메뉴에는 각 스페이스와 각 스페이스에 있는 Formation 기기 수가 표시됩니다.

TV 스페이스 설정



뮤직 스페이스 설정

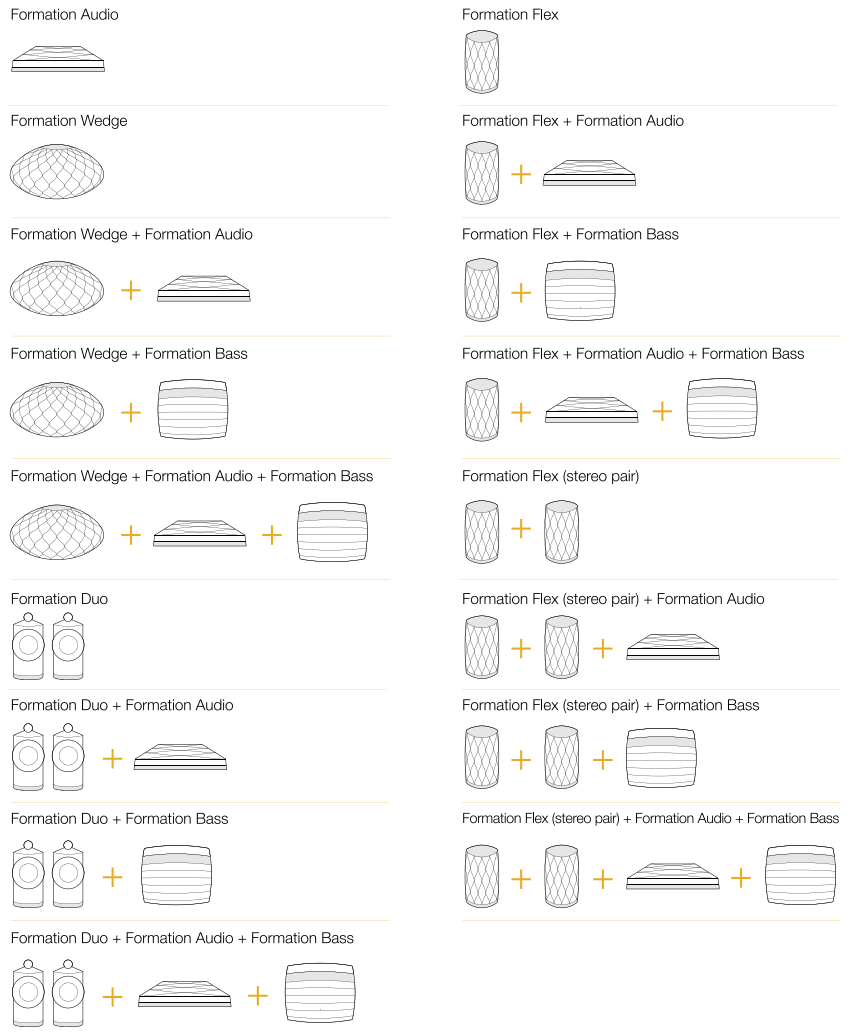


그림 3 스페이스 설정

설정 메뉴에 표시된 스페이스를 누르면 해당 스페이스와 Formation 기기 설정에 액세스 할 수 있습니다. 스페이스 이름을 눌러 스페이스 설정에 액세스하고 기기 이름을 눌러 기기 설정에 액세스하십시오. 사용 가능한 기기 설정은 해당 기기에 따라 다릅니다.

참고: Bowers & Wilkins Home 앱의 설정 아이콘에 노란색 점이 표시되면 이는 Formation 펌웨어 업데이트가 가능하다는 것을 나타냅니다. 펌웨어 업데이트는 설정 메뉴에서 시작합니다. 항상 Bowers & Wilkins Home 앱과 Formation 기기를 최신 버전 및 펌웨어 상태로 유지해야 합니다. 이렇게 하면 가장 안정적인 성능을 보장할 수 있을 뿐만 아니라 새로운 Formation 기능을 활용할 수 있습니다.

5. 클리닝

Formation Bass를 청소해야 할 경우 깨끗하고 보풀이 없는 천으로 뒷면을 닦고 그릴은 부드러운 브러시를 사용하십시오. 클리너를 사용하고자 할 경우에는 Formation Bass에 직접 뿌리지 말고 부드러운 천에 뿌려 사용하십시오. 클리너가 표면에 손상을 주지 않는지 먼저 부분 테스트를 통해 확인하십시오. 연마성이 있거나 산, 알칼리, 향균제를 함유한 제품은 사용하지 마십시오.

6. 지원

Formation Bass에 대한 추가적으로 도움이나 조언이 필요하면 www.bowerswilkins.com/support 의 Formation 지원 사이트를 참고하십시오.

환경 정보

이 제품은 전기 및 전자 장비의 유해물질 사용제한지침(RoHS), 화학물질관리제도(REACH) 및 폐전기전자제품처리지침(WEEE)에 대응하여 설계되어 있습니다. 포장재나 제품을 폐기할 경우 재활용 가능 자원의 분리 배출요령에 따라 수거하여 주십시오.

표시등	동작 상태
백색 점멸	시작 진행
노랑색 펄스	셋업 준비
노랑색 점멸	펌웨어 업데이트 진행
백색 펄스	오디오 풀 진행
적색 펄스	에러 - 도움말
적색 점등	에러 - 도움말
적색 점멸	초기화 진행

그림 4
Form 버튼 조명

مرحباً بك في باورز أند ويلكينز وفورميشن باس

نشكركم على اختياركم فورميشن. عندما قام جون باورز بتأسيس باورز أند ويلكينز لأول مرة كان ذلك نابغاً من إيمانه بأن التصميم التخليقي والهندسة المبتكرة والتكنولوجيا المتقدمة هي المفاتيح التي يمكنها فتح باب الاستمتاع بالصوت في المنزل، ولا يزال هذا الاعتقاد يلهمنا في كل منتج نقوم بتصميمه حيث يتجلى بأفضل صورة له في فورميشن.

”فورميشن باس“ عبارة عن مضخم صوت لاسلكي متصل بالشبكة مصمم لتوفير تعزيز الأداء العالي للتردد المنخفض في مكبرات الصوت فورميشن ديو، وفورميشن ويدج و فورميشن بار. تم صناعة فورميشن باس والتحكم فيه باستخدام تطبيق باورز ويلكينز هوم، وهذا التطبيق متاح لجميع أجهزة الموبايل التي تعمل على نظامي التشغيل آي أو اس و أندرويد. كل ما عليك هو تثبيت وتهيئة فورميشن باس باستخدام تطبيق باورز ويلكينز هوم.

يتيح لك جهاز فورميشن باس القيام بما يلي:

- تعزيز أداء التردد المنخفض لمكبرات الصوت فورميشن ديو و فورميشن ويدج و فورميشن بار.

يلزم تثبيت تطبيق باورز أند ويلكينز هوم لتوصيل مضخم الصوت فورميشن باس الخاص بك بشبكتك المنزلية وأيضاً لإنشاء اتصال مع منتجات فورميشن الأخرى في منزلك، كما يوفر هذا التطبيق بعض وظائف التحكم والتهيئة أثناء الاستخدام. قبل البدء في تثبيت فورميشن باس، يرجى تحميل تطبيق باورز أند ويلكينز هوم وتثبيته على جهاز محمول يعمل بنظام آي أو اس أو أندرويد، مع العلم بأن هذا التطبيق يتطلب نسخة آي أو اس 7.1 أو نسخة أندرويد 4.1 أو نسخة أحدث للأجهزة التي تعمل على نظام أندرويد، كما يتعين تمكين خدمات البلوتوث والواي فاي على جهاز المحمول آي أو اس أو أندرويد بالإضافة إلى معرفة كلمة المرور إلى شبكة الواي فاي الخاصة بك.

ملاحظة: : يجب تفعيل خدمات الموقع على أجهزة الأندرويد أثناء عملية ضبط جهاز فورميشن، وهذا لأن منتجات فورميشن تستخدم بلوتوث منخفض الطاقة (BT-LE) لتوصيل الخدمة والتي يتم تشغيلها على أجهزة الأندرويد عند تفعيل خدمات الموقع فحسب، ولا تستخدم شركة باورز أند ويلكينز أي من بيانات خدمات الموقع لأغراض تسويقية.

1. محتويات صندوق جهاز فورميشن باس

مضخم الصوت فورميشن باس مجموعة من كابلات الطاقة الكهربائية الرئيسية الملائمة لمنطقتك حزمة الوثائق

2. تثبيت مضخم الصوت فورميشن باس

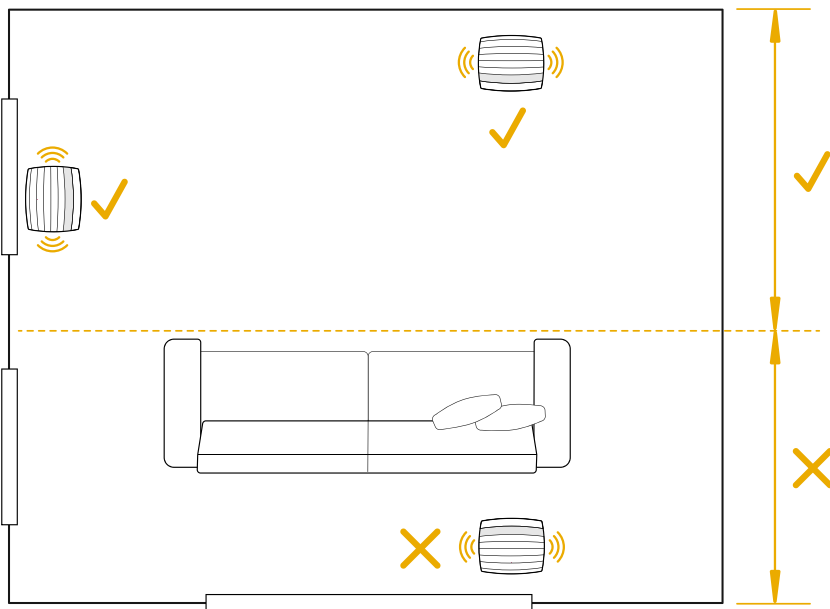
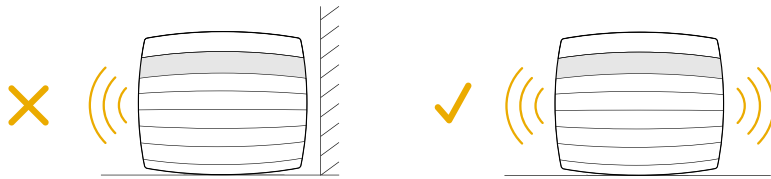
أين يجب عليك تثبيت الجهاز؟

يلزم جهاز فورميشن باس مصدر طاقة رئيسي للعمل، لذا يجب أن يكون قابس التيار الكهربائي قريباً منه، وفي حال كان مضخم الصوت فورميشن باس لديك يستخدم اتصالاً سلكياً بالشبكة المنزلية الخاصة بك، فسيلازم وضع مضخم الصوت في منطقة قريبة من كابل شبكة إيثرنت (Ethernet) المناسبة.

يتعين وضع مضخم الصوت فورميشن باس على الأرض بالقرب من مضخم الصوت فورميشن الذي يشترك معه. في حال استخدام مضخم الصوت فورميشن ويدهج أو فورميشن بار، فإن وضع مضخم الصوت تحت مكبر الصوت مباشرة أو على الأقل بجوار جدار مشترك، يؤدي إلى تحقيق نتائج أفضل.

في حال كان مضخم الصوت فورميشن باس متصلاً مع زوج من مكبرات الصوت فورميشن ديو، فننصح بوضع مضخم الصوت فورميشن باس بين مكبري الصوت فورميشن ديو أو بالقرب من أحدهما للحصول على أفضل النتائج. إن وضع مضخم الصوت فورميشن باس على جنب، لكن أمام المستمعين، هو حل وسط مقبول إذا كان وضع المنزل يتطلب ذلك. لا يجب وضع مضخم الصوت فورميشن باور خلف موضع الاستماع. يوضح الرسم التخطيطي رقم (1) أدناه المكان الأمثل لوضع مضخم الصوت.

ملاحظة: كن حذراً عند التعامل مع مضخم الصوت فورميشن باس حتى لا تتلف أغشية الصوت الرئيسية الموجودة في كل طرف من أطرافها.



الرسم التخطيطي 1
تحديد الموقع

- إذا تم استخدام وصلة شبكة لاسلكية لجهاز فورميشن باس الخاص بك، فإن مرحلة الضبط التالية ستوصل الجهاز بشبكة الواي فاي المنزلية الخاصة بك، وسيطلب منك التطبيق التأكيد على شبكة الواي فاي الصحيحة وإدخال كلمة المرور إليها، وعلى التقيض إذا تم توصيل الجهاز براوتر الشبكة الخاصة بك باستخدام كابل إيثرنت فيتم تجاوز هذه المرحلة من عملية الضبط.

ملاحظة: إذا كانت إحدى منتجات فورميشن لديك متصلة بشبكة الواي فاي الخاصة بك، فإن ضبط مضخم الصوت فورميشن باس لن يطلب منك إدخال كلمة مرور شبكة الواي فاي.

- يصبح جهاز فورميشن باس الخاص بك متاحًا للاستخدام عند اكتمال ضبط شبكة الواي فاي واختيار الحيز، وسيقوم جهاز فورميشن باس الخاص بك بتشغيل توجيه صوتي للتأكيد على نجاح الضبط.

ضبط الشبكة

- مع وضع مضخم الصوت في وضع الإعداد وإضاءة الزر 1 (إضاءة نابضة بطيئة باللون الأصفر، قم بتشغيل تطبيق باورز أند وليكنز هوم على جهازك المحمول الذي يعمل بنظام أي أس أو أندرويد، وسيجوهك التطبيق بالخطوات المطلوبة خلال عملية الضبط.

ملاحظة: يستخدم مضخم الصوت فورميشن باس وصلة بلوتوث بالجهاز الذي يشغل تطبيق باورز أند وليكنز هوم أثناء عملية الضبط، وإشارات البلوتوث نطاق قصير نسبيًا يمكن أن تقطعها الحدود الفاصلة بين الغرف لذا نوصي بأن يبقى مضخم الصوت وتطبيق باورز أند وليكنز هوم على مقربة من بعضهما أثناء عملية الضبط.

- سيبحث تطبيق باورز أند وليكنز هوم أولاً عن منتجات فورميشن في وضع الضبط وسيعرض شاشة تدعوك لاختيار منتج. انقر لاختيار مضخم الصوت فورميشن باس الخاص بك. إذا كنت قد قمت بالفعل بضبط إحدى منتجات فورميشن وتريد إضافة منتج إضافي، اختر "إضافة منتج فورميشن" من قائمة إعدادات التطبيق.

- سيطلب منك تطبيق باورز أند وليكنز هوم لاحقاً تسمية "الحيز" التي ستستخدم فيه مضخم فورميشن باس الخاص بك. سيتم توفير قائمة بأسماء افتراضية للحيز، لكن يمكنك أيضاً ابتكار اسمك الخاص. عند اختيار أو ابتكار اسم للحيز سيطلب منك التطبيق لمس زر فورميشن 2 الموجود في مقدمة مضخم الصوت لتأكيد الاختيار.

التوصيلات

يحتوي مضخم الصوت الخاص بك، بالإضافة إلى مقبس الطاقة الرئيسي 2، على مقبس إيثرنت 1 لتوصيله بجهاز راوتر في حال فضلت توصيل مضخم الصوت بالشبكة اللاسلكية على الاتصال اللاسلكي وأي فاي.

ملاحظة: الهدف من قابس يو اس بي الموجود على اللوحة الخلفية من مضخم الصوت هو الخدمة والاستخدام التشخيصي فحسب، ولا يمكن استخدامه لأي غرض آخر.

لا يحتوي مضخم الصوت فورميشن باس على اتصالات صوتية سلكية وسوف بنهئية نفسه أتوماتيكياً أثناء عملية إعداده للوصول إلى تدفقات صوت عبر الشبكة وتحسين الصوت الجهر بشكل مناسب بناءً على خصائص مكبرات الصوت المتصلة به. عند وصل مضخم الصوت مع فورميشن باس، سيقوم مضخم الصوت فورميشن باس تلقائياً بإعادة إنتاج قناة لتأثيرات التردد المنخفض (LFE) للمواد المشفرة التي تعمل على نظام الصوت المحيطي (Dolby Surround).

التشغيل وال إيقاف

مع توصيل جميع الوصلات وتثبيت تطبيق باورز أند وليكنز هوم على جهازك المحمول، يصبح مضخم الصوت فورميشن باس جاهزاً للإعداد. لا يحتوي مضخم الصوت على مفتاح تشغيل رئيسي، فبعد مدة قصيرة من التشغيل الاعتيادي، سيعمل بمجرد توصيله بالتيار الكهربائي، وسيقوم بتشغيل توجيه صوتي عند اكتمال التشغيل الاعتيادي.

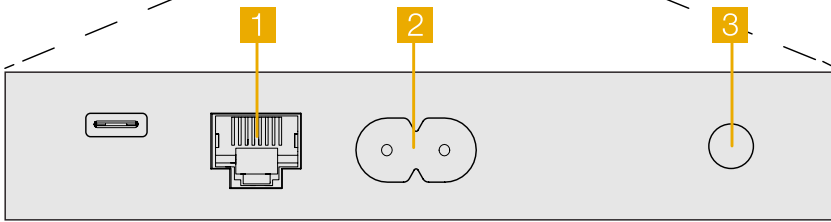
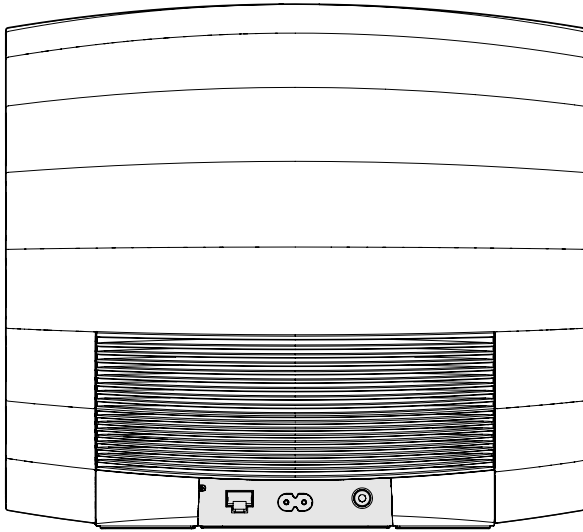
عند تشغيل مضخم الصوت فورميشن باس، لأول مرة، فإن المضخم سيدخل أتوماتيكياً إلى وضع الضبط لتمكين ربطه بشبكته المنزلية وأيّة مكبرات صوت فورميشن أخرى. ويتضح وضع الضبط من خلال إضاءة نابضة بطيئة صفراء اللون لزر فورميشن 2 الذي يعمل باللمس.

سيظهر مضخم الصوت فورميشن باس أيضاً على تطبيق باورز أند وليكنز هوم من أجل عملية الضبط بعد اختيار "إضافة منتج فورميشن" من صفحة إعدادات التطبيق.

يدير مضخم الصوت فورميشن باس وضعه التشغيلي واستهلاك الطاقة أتوماتيكياً بالكامل، ويتحول إلى وضع توفير الطاقة بعد عشرين دقيقة من توقف النشاط، ولا داع مطلقاً لإيقاف تشغيل مضخم الصوت فورميشن باس الخاص بك، ولكن في حال رغبت في القيام بذلك، فما عليك سوى فصله عن مصدر الطاقة الرئيسي بكل بساطة، مع العلم بأن مضخم الصوت سيحتفظ بإعداداته دون وصله بمصدر الطاقة الرئيسي.

يمكنك إعادة تشغيل مضخم الصوت بالضغط لوهلة على زر إعادة الضبط الموجود في اللوحة الخلفية 3 وتركه. سيؤدي الضغط على ذلك الزر إلى إيقاف تشغيل مضخم الصوت وإعادة تشغيله مرة أخرى، وسيتم الاحتفاظ بجميع الإعدادات عند إعادة تشغيله. بإمكانك أيضاً إعادة تشغيل مضخم الصوت فورميشن باس من خلال صفحة الإعدادات في تطبيق باورز أند وليكنز هوم.

إذا كنت ترغب في إعادة تعيين مضخم الصوت إلى إعداداته الافتراضية، فاضغط زر إعادة الضبط واستمر في الضغط عليه لخمس ثوانٍ، وعند معاودة تشغيل الجهاز، سيدخل مضخم الصوت في وضع الضبط، وستُحذف جميع الإعدادات عند إعادة ضبط مضخم الصوت، كما يمكنك أيضاً إعادة ضبط مضخم الصوت من خلال قائمة الإعدادات في تطبيق باورز أند وليكنز هوم.



المخطط التوضيحي رقم 2
اللوحة الخلفية لمضخم الصوت فورميشن باس

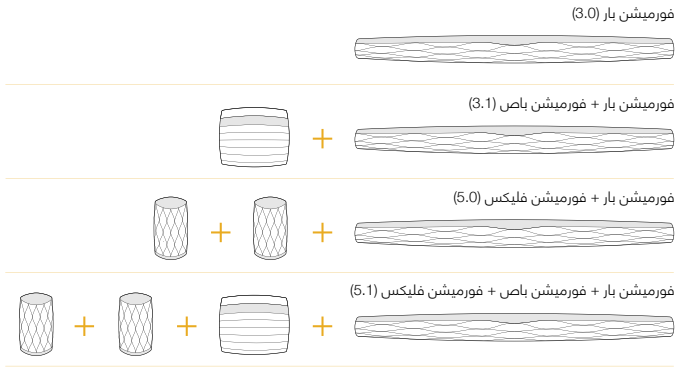
3. استخدام مضخم الصوت فورميشن باس

الأساسيات

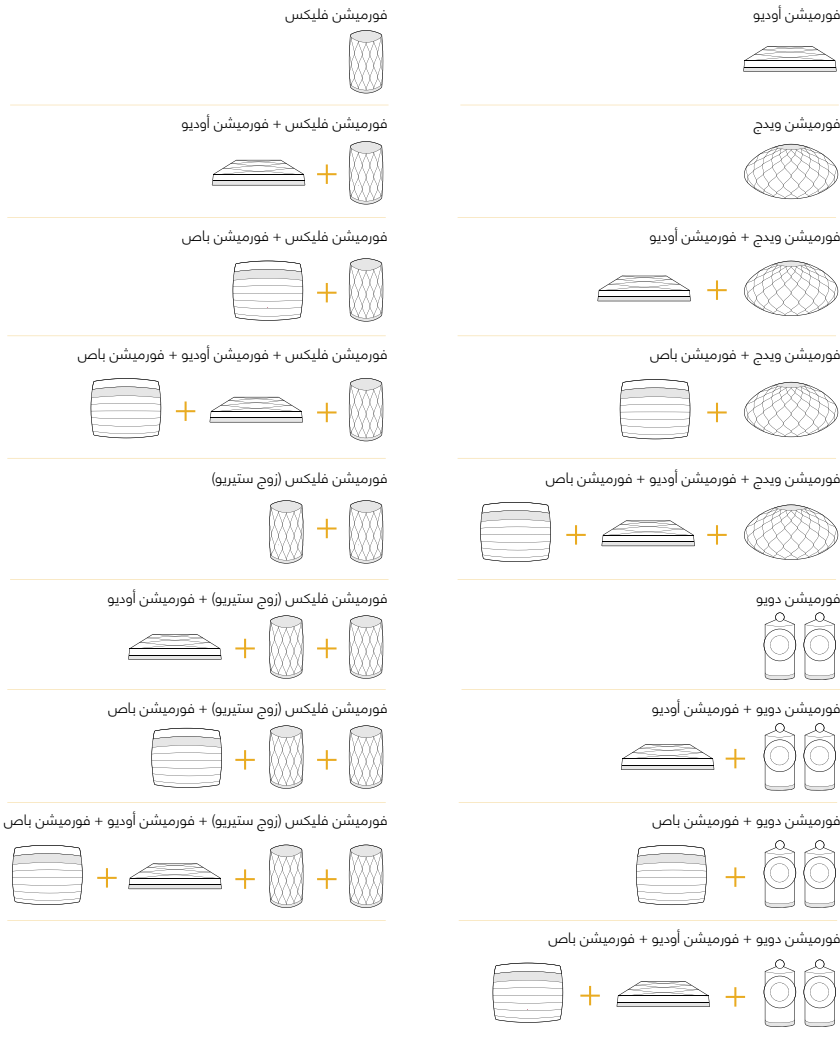
بمجرد تثبيت مضخم الصوت وضبطه، سيعمل مضخم الصوت بشكل تلقائي بالكامل، والتعديل الوحيد الذي قد تحتاج إلى القيام به هو ضبط الصوت بما يتناسب مع مكبر الصوت فورميشن الموصول مع مضخم الصوت. يعتمد ذلك على التفضيلات الشخصية والطابع الصوتي لرفة الاستماع. لضبط مستوى الصوت في مضخم الصوت، افتح تطبيق باورز آند ويلكنز هوم وانقر على رمز الإعدادات لفتح قائمة الإعدادات، وانقر بعد ذلك على مضخم الصوت "فورميشن باس" لفتح صفحة الإعدادات الخاصة به واستخدام شريط تحديد مستوى الصوت لإجراء التعديل المطلوب على مستوى الصوت.

ملاحظة: تذكر أن مضخم الصوت فورميشن باس الخاص بك قادر على العمل بمستويات صوت منخفضة التردد والتي من المحتمل أن تسبب إزعاجًا. فإن كان لديك أي شك أنها من الممكن أن تسبب إزعاجًا، قم بتخفيض مستوى الصوت.

تشكيلات الحيز في التلفاز



تشكيلات الحيز في الموسيقى



الرسم التخطيطي رقم 3 تشكيلات الحيز

حيز الموسيقى

حيز الموسيقى هو مفهوم جوهري في عائلة منتجات فورميشن، و"حيز" فورميشن هو غرفة أو منطقة محددة في منزلك تستمع فيها للموسيقى، ويمكن أن يشتمل كل حيز على مجموعات مختلفة من منتجات فورميشن، وتوضح التشكيلات المحتملة في الرسم التخطيطي رقم 3 أدناه.

إضاءة زر فورميشن

تتغير إضاءة زر فورميشن في مضخم الصوت للإشارة إلى مجموعة متنوعة من حالات التشغيل، وللاطلاع على تلك الحالات يرجى العودة إلى الرسم التخطيطي رقم 4 أدناه.

4. تطبيق باورز آند ويلكنز هوم

بعد إعداد مضخم الصوت فورميشن باس وتوصيله بالشبكة لديك، سيفتح

تطبيق باورز آند ويلكنز هوم على شاشته الرئيسية حيث تظهر قائمة بحيز مضخم الصوت وأي من أحياز فورميشن الأخرى المتاحة.

انقر على حيز فورميشن لاختيار أي من مصادر البث أو المدخلات المتاحة، وإذا لم تكن هناك مصادر بث متاحة افتح تطبيق بث، وليكن سيوتيفاي على سبيل المثال، واختر أي ملف لتشغيله، ثم اختر حيز فورميشن من قائمة أجهزة إعادة التشغيل المتاحة، والآن عندما ترجع إلى تطبيق باورز آند ويلكنز هوم فإن بث سيوتيفاي سيظهر في قائمة حيز فورميشن باس.

تحتوي الصفحة الرئيسية لتطبيق باورز آند ويلكنز هوم على أيقونة إعدادات في الزاوية اليمنى العلوية، انقر الأيقونة لفتح قائمة إعدادات التطبيق، تتيح قائمة الإعدادات خيارات لإعداد أجهزة فورميشن وإعادة ضبطها وإعادة تسمية حيز فورميشن الخاصة بك، كما يمكن بدء تحديثات برنامج ذاكرة قراءة جهاز فورميشن والتطبيق من قائمة الإعدادات أيضًا.

التعرف على تطبيق باورز آند ويلكنز هوم

سيبحث التطبيق عند فتحه عن حيز فورميشن المتاح ثم يعرض صفحته الرئيسية مع قائمة بالحيز.

ويعرض التطبيق أسفل كل حيز نشاطه الحالي، وسيؤدي النقر على أي حيز نشط إلى فتح شاشة "التشغيل الآن" والتي تتيح التحكم في مستوى الصوت والتشغيل / الإيقاف المؤقت.

كما تتيح شاشة "التشغيل الآن" خيار "الحيز المتاح" الذي يمكّن نقل البث الجاري تشغيله في الحيز المختار لحيز آخر أو تشغيله في عدة أحياز، وتتيح شاشة "الحيز المتاح" أيضًا فرصة التحكم في حجم الصوت في جميع الأحياز بوجه عام أو في حيز منفرد.

تُفتح صفحة إعدادات تطبيق باورز آند ويلكنز هوم ينقر أيقونة الإعدادات. وتظهر قائمة الإعدادات المبدئية لكل حيزٍ وعدد أجهزة فورميشن الموجودة في كل حيزٍ.

يتيح النقر على حيزٍ ما في أي قائمة أحياء الوصول إلى إعدادات جهاز فورميشن وحيزه، انقر اسم الحيز للوصول إلى إعدادات الحيز وانقر اسم الجهاز للوصول إلى إعدادات الجهاز، وتعتمد إعدادات الجهاز المتاحة على الجهاز المعني.

ملاحظة: إذا كانت أيقونة الإعدادات في تطبيق باورز آند ويلكنز هوم تعرض نقطة صفراء اللون فإن هذا يشير إلى توافر تحديث لذاكرة قراءة جهاز فورميشن، ويمكن البدء في عملية تحديث برنامج ذاكرة القراءة من قائمة الإعدادات. وعليك دائماً تحديث تطبيق باورز آند ويلكنز هوم وأجهزة فورميشن الخاصة بك بأحدث نسخة وأحدث برنامج لذاكرة القراءة؛ إذ أن ذلك لا يساعد على ضمان الأداء الأكثر موثوقية فحسب بل يضمن أن تستفيد من خصائص فورميشن الجديدة.

5. التنظيف

إذا احتاج مضخم الصوت فورميشن باس للتنظيف، فيمكن مسح سطحه العلوي بقطعة قماش نظيفة وخالية من الوبر بالإضافة إلى استخدام فرشاة ناعمة لتنظيف شبكة مضخم الصوت. إذا كنت ترغب في استخدام أي سائل تنظيف، فعليك وضعه على قماشة التنظيف وليس بشكل مباشر على مضخم الصوت. جرب على منطقة صغيرة أولاً، لأن بعض منتجات التنظيف قد تتلف بعض الأسطح. تجنب منتجات التنظيف الكاشطة أو التي تحتوي على أحماض أو قلويات أو مواد مضادة للبكتيريا.

6. الدعم الفني

إذا احتجت إلى مزيد من المساعدة أو المشورة بشأن مضخم الصوت فورميشن باس لديك، يرجى زيارة موقع دعم فورميشن التالي: www.bowerswilkins.com/support

معلومات بيئية

يتوافق هذا المنتج مع التوجيهات الدولية، بما في ذلك، على سبيل المثال لا الحصر، حظر المواد الخطرة (RoHS) فيما يتعلق بالمعدات الكهربائية والإلكترونية وتسجيل المواد الكيميائية وتقييمها وترخيصها وتقييدها (REACH) والتوجيهات الخاصة بالتخلص من نفايات المعدات الكهربائية والإلكترونية (WEEE). قم باستشارة السلطة المحلية المختصة بالتخلص من النفايات عندك للحصول على إرشادات حول كيفية إعادة تدوير هذا المنتج أو التخلص على نحو مناسب.

المؤشر	الوضع التشغيلي
وميض أبيض	جاري بدء التشغيل
أصفر نابض	جاهز للضبط
وميض أصفر	جاري تحديث برنامج ذاكرة القراءة
أبيض نابض	جاري سحب الملف الصوتي
أحمر نابض	خطأ - اتصل بالدعم
أحمر ثابت	خطأ - اتصل بالدعم
وميض أحمر	جاري إعادة ضبط المصنع

الرسم التوضيحي رقم 4
أنواع إضاءة أزرار فورميشن