



Instruction Manual

HA-802

**2-Station
Cassette Player and Recorder**





CAUTION
RISK OF ELECTRICAL SHOCK
DO NOT OPEN



CAUTION: TO REDUCE THE RISK OF ELECTRIC SHOCK,
DO NOT REMOVE COVER (OR BACK).
NO USER-SERVICEABLE PARTS INSIDE.

Warning

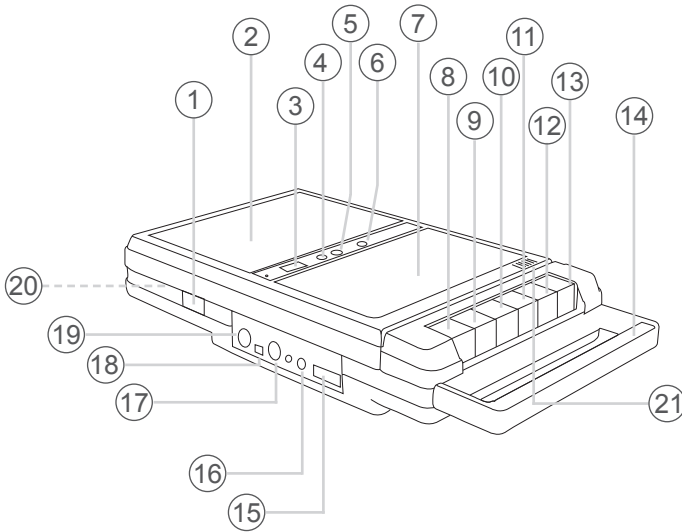
Disconnect the recorder by unplugging the plug at the wall socket when not in use.

Battery Use

The recorder operates on 4 "C" batteries. If the unit is to be mostly used by battery power, manganese alkaline batteries will usually provide longer battery life.

Slide off the lid of the battery compartment and insert the four batteries over the ribbon, observing polarity marks inside the compartment.

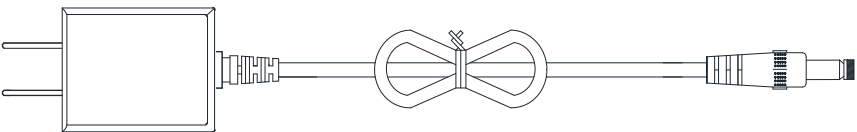
NOTE: When using the power adapter, please remove all batteries before use.



- | | |
|--|-------------------------|
| 1. Power Adapter Jack* | 12. Stop/Eject Button |
| 2. Speaker (SP Recording) | 13. Pause Button |
| 3. USB Port | 14. Pull-Out Handle |
| 4. Down Button (for USB Flash Drive) | 15. Volume Control |
| 5. Up Button (for USB Flash Drive) | 16. Microphone Input |
| 6. Play/Pause Button (for USB Flash Drive) | 17. 1/4" HP/EXT.SP Jack |
| 7. Cassette Deck | 18. MP3 - TAPE Switch |
| 8. Record Button | 19. 1/4" Headphone Jack |
| 9. Play Button | 20. Battery Compartment |
| 10. Rewind Button | 21. Built-in Microphone |
| 11. Fast-Forward Button | |

*Note: The provided external power adapter plugs into this jack.

External Power Adapter (included):



Remove Weak or Dead Batteries Immediately

If the recorder will not be used for long periods of time, remove the batteries and store them in a cool, dry place.

Proper Care of Your Recorder and Cassettes

- Keep the recorder clean as described in the Maintenance section.
- Do not expose the unit to damp/wet conditions or to extreme high temperatures, such as may be reached inside a car on a hot, sunny day.
- Keep the unit and cassettes away from strong magnetic fields, such as close to large transformers, electric motors, television receivers and loudspeakers.
- Always rewind your cassettes after use.
- Do not excessively use the wind and rewind buttons in searching for a particular item on a cassette. This may cause "sleeping" or ridges in the layers of the tape, causing jams or triggering audio stop.
- Do not touch the heads with any metallic or sharp pointed objects.

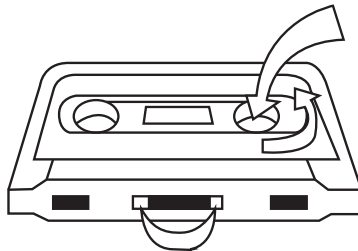
Loading and Removing Cassettes

Press the Stop/Eject button to open the cassette compartment lid. Before inserting a cassette, check the tape tension and make sure that any slack is taken up. This can be done by inserting a pencil into one of the hub-holes and turning it to tighten slack. This simple operation will prevent tape-spill and loop-throwing, both of which can physically damage the tape and ruin recordings.

Insert the cassette in the correct direction with the exposed tape facing the front of the machine. With the cassette properly seated, then close the lid. Do not force the lid to close, as the cassette may not be seated properly. Then, the cassette is ready to use.

To remove cassettes, press the Stop/Eject button. Do not attempt to remove cassettes without disengaging any other functions.

Do not attempt to load cassettes when the mechanism is engaged.



Shown: Tighten the slack of a cassette tape prior to playing.

Using Headphones

A. Headphone and Listening Center

Insert a headphone (not included) into the 1/4" Headphone Jack or the HP/EXT.SP jack. This will automatically disconnect the built-in speaker. Note: Only mono sound can be heard.

B. When headphone is connected to the 1/4" Headphone Jack HEADPHONE during tape playback, sound will come out of the internal speaker as well as through the headphone. (During recording, the HEADPHONE jack may be used to monitor through headphones as recording is being made.)

When headphone is connected to the HP/EXT.SP jack, the internal speaker is not active, so you will only hear audio through the headphone or external speaker.

Using USB Function for Flash Drives

This unit comes with a USB port (see #3 on diagram on page 3) for playback of MP3 files. Plug the USB flash drive into the USB port, then move the MP3-TAPE switch (see #18 on diagram on page 3) to the MP3 position.

Down/Up Button: Use these buttons to select the MP3 file you wish to play.

Play/Pause: Use this button to play or pause the MP3 file that you selected.

Note: The USB flash drive is only for playback of MP3 files and cannot be connected to a PC.

Playback of Cassettes

Cassettes may be played back through the internal speaker, through a headphone or small external speaker (8 ohms impedance max.). The HP/EXT.SP jack may also be used to connect the recorder to other audio equipment for the playback of cassettes.

To playback a cassette, move the MP3-TAPE switch (see #18 on diagram on page 3) to the TAPE position.

Recording Using the Built-In Microphone

Insert a cassette and press the Record button. The Play button will also be pressed automatically. The recording indicator LED will show that the machine is in record mode. This indicator will glow brightly when the unit is operating, or when batteries are in good condition. When batteries are weak, this indicator will glow dimly, indicating batteries need replacement.

Position the microphone about 12 inches from the sound source. The recorder features an Automatic Level Control (ALC) to maintain all recordings at an optimum level. The volume control operates only during replay, therefore needs no adjustment.

Because the microphone built into your machine is in close proximity to mechanical moving parts, it may pick up noise from these if the recorder is operated at greater distance than 12 inches from the sound source.

Recording Using an External Microphone

Connect a low-impedance microphone to the Microphone Jack (3.5mm).

For microphones featuring a remote stop-start switch, use the Remote Jack (REM) (2.5mm jack).

External Microphone DY-5 Accessory (sold separately):

When using the DY-5 microphone, keep the On/Off switch on the microphone to the Off position. Then, press the Record button on the unit. Now, simply move the switch on the DY-5 mic to the On position to start recording. This is a handy feature when you can stop and start recording using the mic switch.

For optimal recording sound, place the external microphone as close to the audio source as possible. Once you are using an external microphone, the built-in microphone is not active.

Auto-Stop

At the end of a cassette, record or playback functions will stop automatically. This function will not work in fast-forward or rewind modes.

If a cassette triggers the auto-stop before reaching the end of the tape, it may indicate that the tape may be damaged or too tightly wound.

Fast-Forward, Rewind and Stop Button

The Fast-Forward and Rewind buttons allow you to move to a particular section of tape. The Stop button will interrupt Fast-Forward or Rewind.

Always use the Stop button to stop the tape after Fast-Forward or Rewind, before you press Play (going from Fast-Forward/Rewind directly to Play may damage your tape and the mechanism).

Once Fast-Forward/Rewind is complete, press the Stop button to disengage, as the Auto-Stop will not operate in this mode. The mechanism may be damaged if left in this mode for any length of time.

Always use the Stop button once the cassette has wound through to one end.

Protecting Recordings

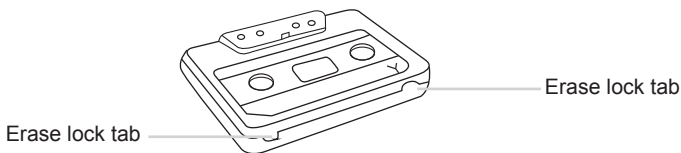
Normally, anything recorded on the tape is automatically erased when a new recording is made.

Protect recordings from accidental erasure by removing the erase lock tabs on the rear of the cassette. When the cassette is held with the recorded side up, the protective tab can be found on the left side of the rear edge of the cassette.

All pre-recorded cassettes are protected in this way to prevent accidental erasure.

“Protected” cassettes may be re-recorded by simply applying a piece of adhesive tape over the holes where the tabs have been removed. Now, you should be able to record on the same tape again.

A “protected” cassette will prevent the Record button from being pressed. If at any time you attempt to record, the Record button will not engage. Do not force the mechanism or damage will result.



Maintenance

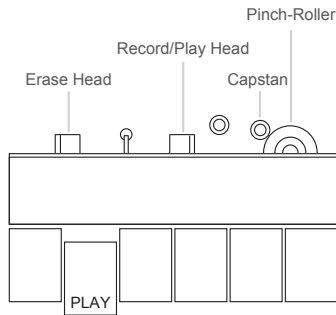
Your recorder requires no routine maintenance and under no circumstances should you attempt to lubricate any parts of the unit.

However, some parts of the unit in direct contact with the tape, do require periodic cleaning to ensure good performance.

We strongly recommend using a professional Cassette Head Cleaning Kit.

We do not recommend cleaning the tape heads manually as it may damage the unit, voiding the warranty.

To clean the tape heads yourself, remove any cassette from the compartment and leave the lid raised. Then, to gain proper access to the tape heads, press the Play button, which will move the tape head parts into view. Using a cotton ball moistened with a drop of isopropyl alcohol, wipe the tape head. The pinch-roller and capstan shaft may be cleaned in a similar manner.



Failure to maintain the tape heads in clean condition can result in muffled reproduction, poor recordings and incomplete erasures.

Failure to maintain the pinch-roller and capstan shaft in clean condition, is likely to cause the tape to entangle and come out of the cassette.

Do not touch the tape head with any metallic or sharp-pointed object.

Specifications

Power Supply: AC: 90V-240V, 50-60Hz

DC: 4 "C" batteries, 6V

Speaker: 3" 8 ohm

Output: 850mW max.

Cassettes

Standard Cassette Tape (C-90 or less)

Tape Speed: 1-7/8 in/sec.

Frequency Response: 200-6,300 Hz

Erasing System: DC Erase

Recording Bias System: DC Bias

Continuous improvements are always being made to our products both in quality and performance. We reserve the right to alter specifications without notice.

IMPORTANT SAFEGUARDS

CAUTION: All safety and operating instructions should be read before the unit is operated, and should be retained for future reference.

Electrical energy can perform many useful functions. This unit has been engineered and manufactured to ensure personal safety. Improper use can result in potential electrical shock or fire hazard.

Observe the following basic safety guidelines:

1. Heed all warnings on the unit and in the manual.
2. Follow all operating instructions.
3. The unit should not be used near water or in damp areas.
4. This unit should be situated so as not to interfere with proper ventilation. Do not use on a bed, sofa, rug, or similar surface that may block the ventilation openings; or placed in a built-in installation, such as a bookcase or cabinet, that may impede the flow of air through the ventilation openings.
5. Do not place the unit near heat sources such as radiators, heat registers, stoves, or other appliances (including amplifiers) that produce heat.
6. Only connect to a power supply of the type described in the operating instructions, or as marked on the unit.
7. Route power cords so they are not easily walked on and not near objects that can pinch or damage the power cord.
8. Do not use liquid or aerosol cleaners on the unit. Use a damp cloth for cleaning.
9. Unplug the power adapter or remove all batteries from the unit when left unused for long periods of time.
10. Take care that objects do not fall on the unit, and liquids are not spilled into the enclosure.
11. Do not use the unit if power supply cord is damaged or if liquid damage has occurred.

NOTE: Do not attempt to service the appliance yourself as it may void the warranty.

Product Registration Instructions

Go to: www.HamiltonBuhl.com

1. Click on Customer Care
2. Click on Product Registration Form
3. Please fill out all fields marked with * to register your product

Warranty



Warranty begins the date item ships from our warehouse. All products have a one year warranty from original date of shipment, unless otherwise noted.



80 Little Falls Road, Fairfield, NJ 07004

1-800-631-0868

www.HamiltonBuhl.com