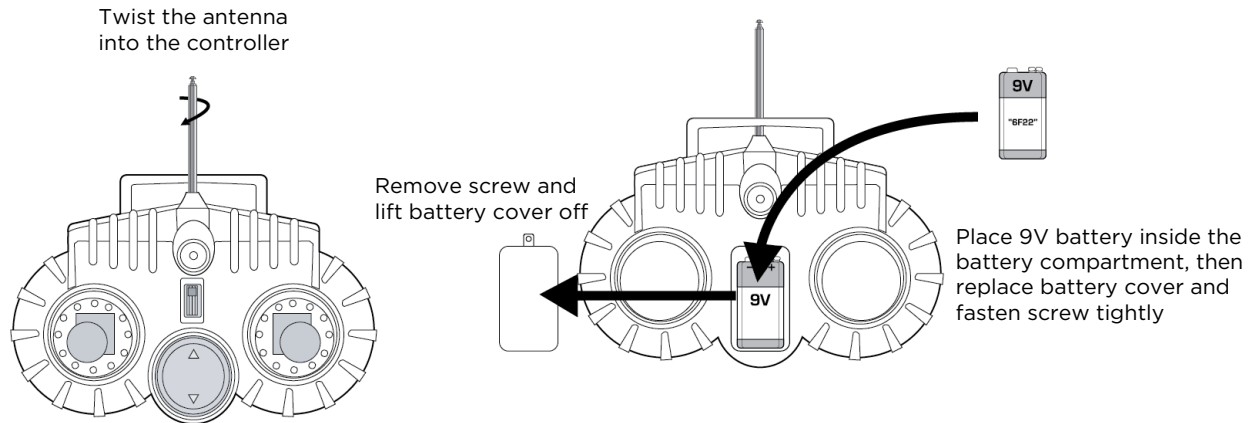


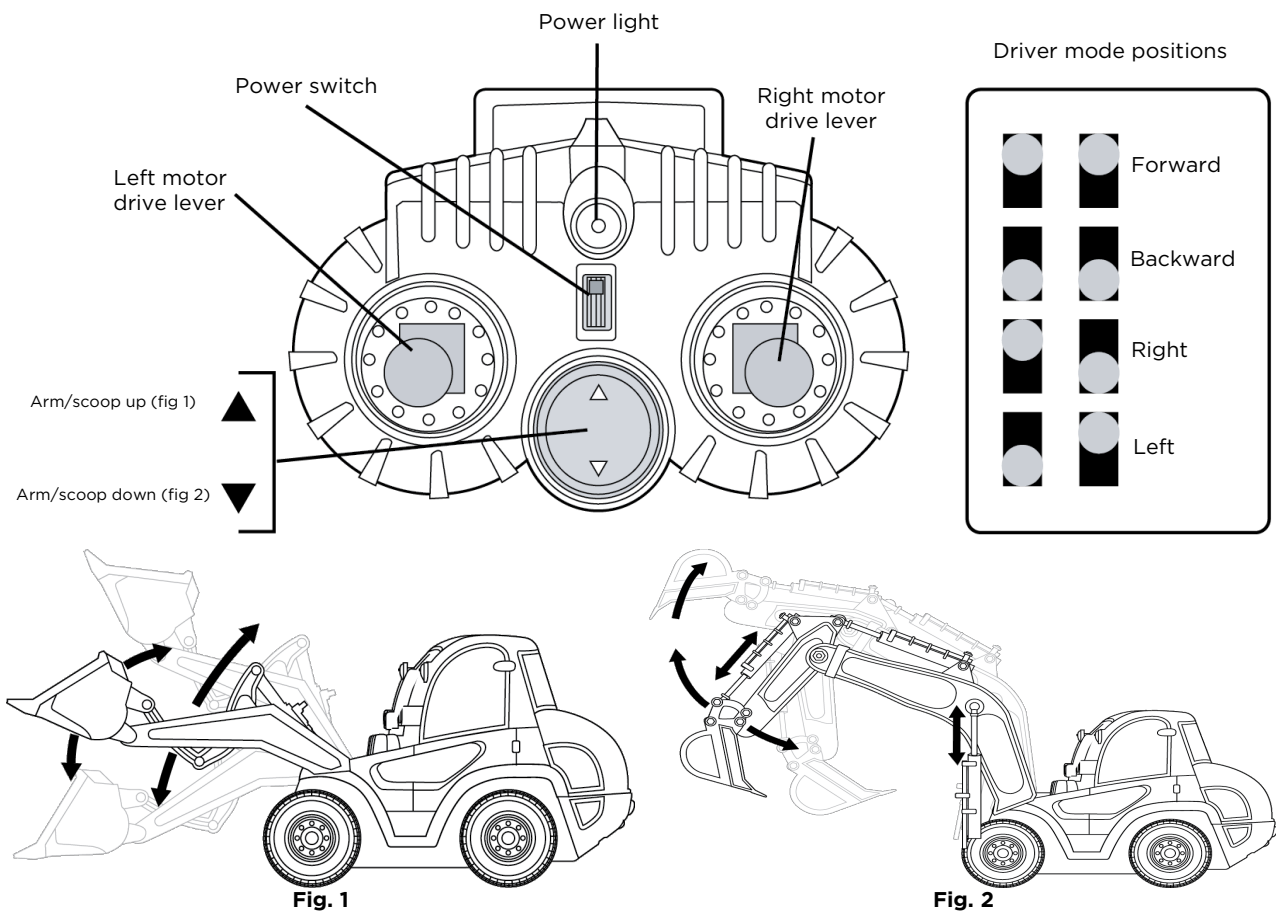
kugan

2-in-1 Remote Control Trailer Truck with Mini Bulldozer KARCTTRAILA

Mini Bulldozer Transmitter Setup



Mini Bulldozer Transmitter Controls

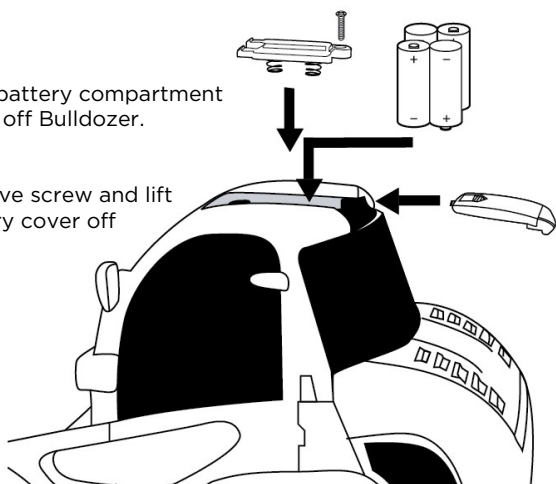


Always use the controller to move the mechanical arm.

Mini Bulldozer Battery Usage

Slide battery compartment cover off Bulldozer.

Remove screw and lift battery cover off

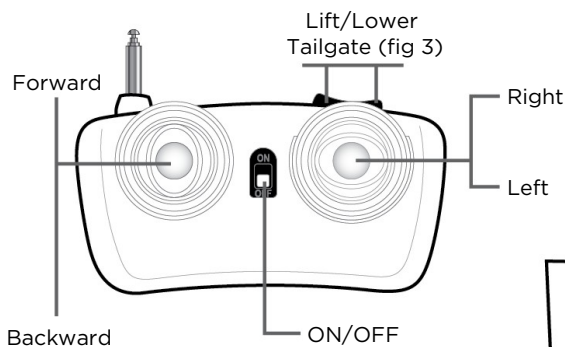


Insert 4 x AAA batteries into the battery compartment, taking note of the polarities.

Replace battery cover and refasten screw tightly.

Slide battery compartment cover back onto the roof of the Bulldozer.

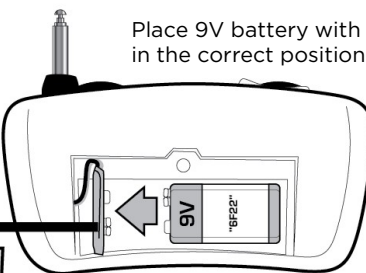
Trailer Truck Transmitter Control and Battery



Remove screw and lift battery cover off



Place 9V battery with polarity in the correct position



Fasten battery cover and fasten screw tightly

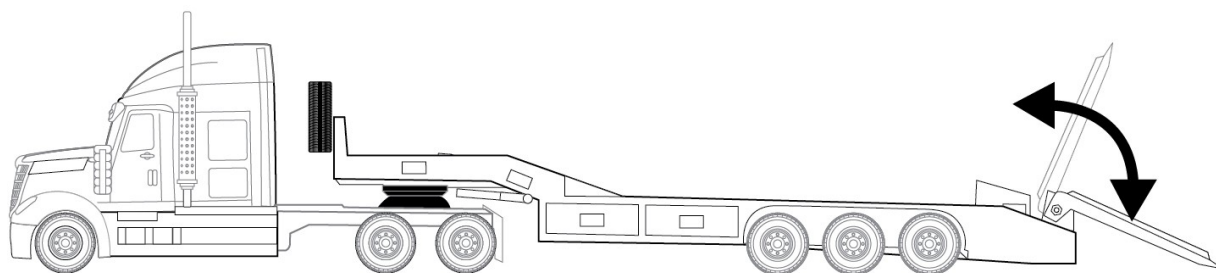
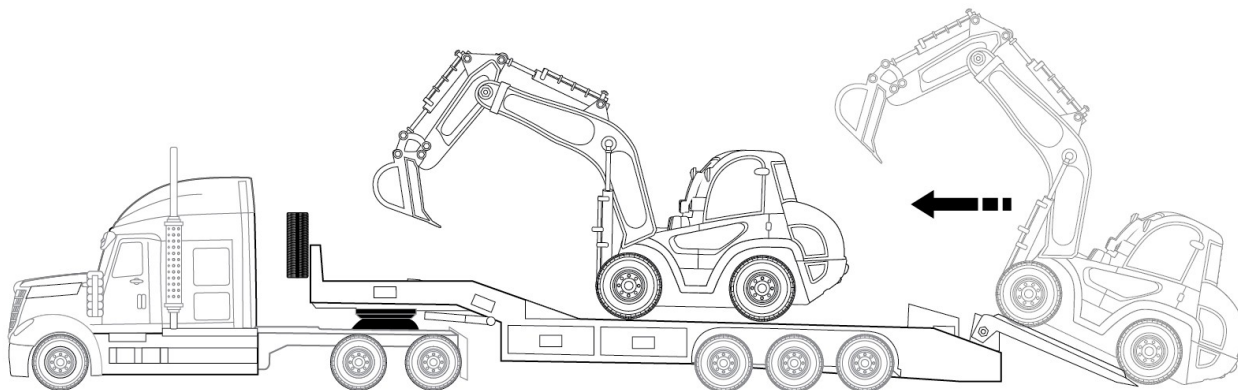


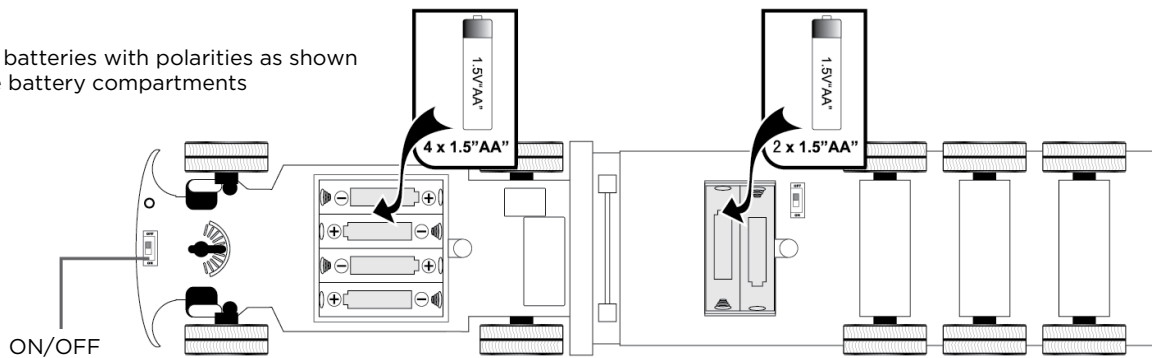
Fig. 3



Lower the tail to load and unload the Bulldozer onto the truck

Truck Battery Placement

Place batteries with polarities as shown inside battery compartments



Warnings

- Do not use in the street or in crowded places.
- Do not disassemble the units or the transmitters.
- Do not use in the rain or in water.
- Do not drop vehicles or expose them to great shocks.
- After use, switch all units off.
- Avoid running two units at the same time, as the matching frequencies may cause erratic behaviour.
- These products are not suitable for children under 6 years old due to small parts which may be hazardous.
- Do not use rechargeable batteries.
- Do not mix old and new batteries, or different brands of batteries.

Troubleshooting

Problem	Possible Cause	Possible Solution
Vehicles drive too slowly	<ul style="list-style-type: none"> • Batteries low on power. 	<ul style="list-style-type: none"> • Replace batteries.
Steering or accelerating is not effective	<ul style="list-style-type: none"> • Low 9V battery in transmitter • Floor too slick or too dusty 	<ul style="list-style-type: none"> • Replace with new 9V battery • Try using on asphalt or concrete
No power	<ul style="list-style-type: none"> • Incorrect placement or connection of the battery • Rusty contacts • Battery connections too loose • Power switch is off 	<ul style="list-style-type: none"> • Check +/- polarities or for worn connectors. • Clean terminals • Contact Kogan.com customer support • Check power switch on vehicle
Poor range control	<ul style="list-style-type: none"> • Weak batteries in transmitter or vehicle • Strong interference in surrounding area • Transmitter antenna is not screwed in securely • Transmitter antenna is not extended to its full length 	<ul style="list-style-type: none"> • Replace batteries in both the transmitters and vehicles • Move to a different location • Check antenna and screw it in properly • Extend the antenna out to its full length

If you have any further questions or concerns, please contact the Kogan.com customer support team.