

# Panasonic

## Basic Owner's Manual Manuel d'utilisation Fonctions de base

### Digital Wireless Stereo Headphones Casque d'écoute stéréo sans fil numérique

Model No. / Modèle **RP-HD305B**



Thank you for purchasing this product. Please read these instructions carefully before using this product, and save this manual for future use.

Nous vous remercions d'avoir arrêté votre choix sur cet appareil. Avant d'utiliser l'appareil, il est recommandé de lire attentivement ce manuel et de le conserver pour utilisation ultérieure.

Register online at <http://shop.panasonic.com/support> (U.S. customers only)

If you have any questions, visit: In the U.S.A: <http://shop.panasonic.com/support> In Canada: [www.panasonic.ca/english/support](http://www.panasonic.ca/english/support) Pour toute assistance supplémentaire, visitez : [www.panasonic.ca/french/support](http://www.panasonic.ca/french/support)



PP

Panasonic Corporation of North America  
Two Riverfront Plaza, Newark, NJ 07102-5490  
<http://shop.panasonic.com>

Panasonic Canada Inc.  
5770 Ambler Drive, Mississauga, Ontario L4W 2T3  
[www.panasonic.com](http://www.panasonic.com)

(En) (Cf)

© Panasonic Corporation 2019  
Printed in China/Imprimé en Chine

TQB0M496-2  
F0319SK3020

#### English

More detailed operating instructions are available in "Owner's Manual (PDF format)". To read it, download it from the website. [https://panasonic.jp/support/global/cs/accessories/oi/rp\\_hd300b/](https://panasonic.jp/support/global/cs/accessories/oi/rp_hd300b/) • Click the desired language.



#### Français

Un mode d'emploi plus détaillé est disponible dans "Manuel d'utilisation (format PDF)". Pour le lire, le télécharger depuis le site web. [https://panasonic.jp/support/global/cs/accessories/oi/rp\\_hd300b/](https://panasonic.jp/support/global/cs/accessories/oi/rp_hd300b/) • Cliquez sur la langue souhaitée.

#### English

##### Accessories

Please check and identify the supplied accessories.

Only for U.S.A.:

To order accessories, refer to "Limited Warranty" on the rear page.

Only for Canada:

To order accessories, contact the dealer from whom you have made your purchase.

- 1 x USB charging cord
- 1 x Detachable cord

##### Maintenance

Clean this unit with a dry and soft cloth.

- Do not use solvents including benzene, thinner, alcohol, kitchen detergent, a chemical wiper, etc. This might cause the exterior case to be deformed or the coating to come off.
- Keeping the battery performance
- During the long period of disuse, full charge this unit once every 6 months to keep the battery performance.

#### Français

##### Accessoires

Vérifier et identifier les accessoires fournis.

Pour commander des accessoires, contacter le revendeur.

- 1 x cordon de charge USB
- 1 x cordon détachable

##### Entretien

Nettoyer cet appareil avec un chiffon doux et sec.

- Ne pas utiliser de solvants, comme la benzine, du diluant, de l'alcool, des détergents de cuisine, etc. Cela pourrait modifier l'apparence du boîtier externe ou décoller son revêtement.
- Autonomie de la batterie
- Lors d'une longue période de non-utilisation, charger complètement cet appareil une fois tous les 6 mois pour préserver l'autonomie de la batterie.

#### English

##### Expressions used in this document

- The product illustrations may differ from the actual product.

#### Français

##### Expressions utilisées dans ce document

- Les illustrations du produit peuvent différer du produit réel.

#### English

## IMPORTANT SAFETY INSTRUCTIONS

Read these operating instructions carefully before using the unit. Follow the safety instructions on the unit and the applicable safety instructions listed below. Keep these operating instructions handy for future reference.

- Read these instructions.
- Keep these instructions.
- Heed all warnings.
- Follow all instructions.
- Do not use this apparatus near water.
- Keep only with dry cloth.
- Do not block any ventilation openings. Install in accordance with the manufacturer's instructions.
- Do not install near any heat sources such as radiators, heat registers, stoves, or other apparatus (including amplifiers) that produce heat.
- Do not defeat the safety purpose of the polarized or grounding-type plug. A polarized plug has two blades with one wider than the other. A grounding-type plug has two blades and a third grounding prong. The wide blade or the third prong are provided for your safety. If the provided plug does not fit into your outlet, consult an electrician for replacement of the obsolete outlet.
- Protect the power cord from being walked on or pinched particularly at plugs, convenience receptacles, and the point where they exit from the apparatus.
- Only use attachments/accessories specified by the manufacturer.
- Use only with the cart, stand, tripod, bracket, or table specified by the manufacturer, or sold with the apparatus. When a cart is used, use caution when moving the cart/apparatus combination to avoid injury from tip-over.
- Unplug this apparatus during lightning storms or when unused for long periods of time.
- Refer all servicing to qualified service personnel. Servicing is required when the apparatus has been damaged in any way, such as power-supply cord or plug is damaged, liquid has been spilled or objects have fallen into the apparatus, the apparatus has been exposed to rain or moisture, does not operate normally, or has been dropped.



#### Safety precautions



A lithium ion battery that is recyclable powers the product you have purchased. Please call 1-800-8-BATTERY for information on how to recycle this battery.

This device complies with part 15 of FCC Rules and Innovation, Science and Economic Development Canada's limited-exempt RSS(s). Operation is subject to the following two conditions: (1) this device may not cause harmful interference, and (2) this device must accept any interference received, including interference that may cause undesired operation.

FCC ID: ACJ-RP-HD305B  
Model: RP-HD305B  
IC: 216A-RPHD305B

This transmitter must not be co-located or operated in conjunction with any other antenna or transmitter.

This equipment complies with FCC/ISED radiation exposure limits set forth for an uncontrolled environment and meets the FCC radio frequency (RF) Exposure Guidelines and RSS-102 of the ISED radio frequency (RF) Exposure rules as this equipment has very low levels of RF energy.

#### THE FOLLOWING APPLIES ONLY IN THE U.S.A.

##### FCC Note:

This equipment has been tested and found to comply with the limits for a Class B digital device, pursuant to Part 15 of the FCC Rules.

These limits are designed to provide reasonable protection against harmful interference in a residential installation. This equipment generates, uses, and can radiate radio frequency energy and, if not installed and used in accordance with the instructions, may cause harmful interference to radio communications.

However, there is no guarantee that interference will not occur in a particular installation. If this equipment does cause harmful interference to radio or television reception, which can be determined by turning the equipment off and on, the user is encouraged to try to correct the interference by one or more of the following measures:

- Reorient or relocate the receiving antenna.
  - Increase the separation between the equipment and receiver.
  - Connect the equipment into an outlet on a circuit different from that to which the receiver is connected.
  - Consult the dealer or an experienced radio/TV technician for help.
- Any unauthorized changes or modifications to this equipment would void the user's authority to operate this device.

This device complies with Part 15 of the FCC Rules. Operation is subject to the following two conditions: (1) This device must not cause harmful interference, and (2) this device must accept any interference received, including interference that may cause undesired operation.

Suppliers Declaration of Conformity  
Trade Name: Panasonic  
Model No.: RP-HD305B

Responsible Party: Panasonic Corporation of North America  
Two Riverfront Plaza, Newark, NJ 07102-5490

Support Contact: <http://shop.panasonic.com/support>

#### THE FOLLOWING APPLIES ONLY IN CANADA.

CAN ICES-3(B)/NMB-3(B)

#### Unit

##### WARNING:

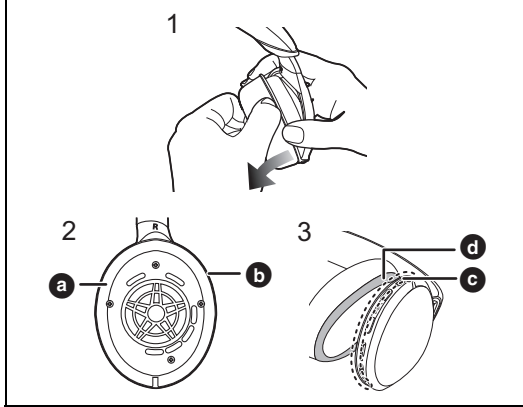
- To reduce the risk of fire, electric shock or product damage, do not expose this unit to rain, moisture, dripping or splashing.
- Do not place objects filled with liquids, such as vases, on this unit.
- Use the recommended accessories.
- Do not remove covers.
- Do not repair this unit by yourself. Refer servicing to qualified service personnel.

- Avoid using or placing this unit near sources of heat.
- Do not use while operating a motorized vehicle. It may create a traffic hazard and is illegal in many areas.
- Do not listen with this unit at high volume in places where you need to hear sounds from the surrounding environment for safety, such as at railroad crossings, and construction sites.
- Keep this unit away from something susceptible to the magnetism. Such devices as a clock may not operate correctly.

- Allergies
- Discontinue use if you experience discomfort with the ear pads or any other parts that directly contact your skin.
- Continued use may cause rashes or other allergic reactions.

Use only the supplied USB charging cord when connecting to a computer.

Remove the right ear pad to view authentication information. (1) Authentication information (●) is indicated on the speaker plate portion (●), which becomes visible when the right ear pad (R side) is removed. (2) To attach the ear pad, fit the part (●) of the ear pad into the part (●) (3) Do not pull the ear pad with force when attaching or removing.



The Bluetooth® word mark and logos are registered trademarks owned by Bluetooth SIG, Inc. and any use of such marks by Panasonic Corporation is under license. Other trademarks and trade names are those of their respective owners.

Siri is a trademark of Apple Inc.

QR Code is a registered trademark of DENSO WAVE INCORPORATED.

Qualcomm aptX is a product of Qualcomm Technologies, Inc. and/or its subsidiaries.

Qualcomm is a trademark of Qualcomm Incorporated, registered in the United States and other countries. aptX is a trademark of Qualcomm Technologies International, Ltd., registered in the United States and other countries.

Other system names and product names appearing in this document are in general the registered trademarks or trademarks of the respective developer companies.

Note that the ™ mark and ® mark do not appear in this document.

## Limited Warranty (ONLY FOR U.S.A.)

### Panasonic Products Limited Warranty

#### Limited Warranty Coverage

If your product does not work properly because of a defect in materials or workmanship, Panasonic Corporation of North America (referred to as "the warrantor") will, for the length of the period indicated on the chart below, which starts with the date of original purchase ("warranty period"), at its option either (a) repair your product with new or refurbished parts, (b) replace it with a new or a refurbished equivalent value product, or (c) refund your purchase price. The decision to repair, replace or refund will be made by the warrantor.

Product or Part Name	Parts	Labor
Headphones/ Earphones/Headset	1 year	Not Applicable
All included Accessories	90 days	Not Applicable

During the "Labor" warranty period there will be no charge for labor. During the "Parts" warranty period, there will be no charge for parts. This Limited Warranty excludes both parts and labor for non-rechargeable batteries, antennas, and cosmetic parts (cabinet). This warranty only applies to products purchased and serviced in the United States. This warranty is extended only to the original purchaser of a new product which was not sold "as is".

#### Mail-In Service—Online Repair Request

##### Online Repair Request

To submit a new repair request and for quick repair status visit our Web Site at: <http://shop.panasonic.com/support>

When shipping the unit, carefully pack, include all supplied accessories listed in the Owner's Manual, and send it prepaid, adequately insured and packed well in a carton box. When shipping Lithium Ion batteries please visit our Web Site at <http://shop.panasonic.com/support> as Panasonic is committed to providing the most up to date information. Include a letter detailing the complaint, a return address and provide a daytime phone number where you can be reached. A valid registered receipt is required under the Limited Warranty.

**IF REPAIR IS NEEDED DURING THE WARRANTY PERIOD, THE PURCHASER WILL BE REQUIRED TO FURNISH A SALES RECEIPT/PROOF OF PURCHASE INDICATING DATE OF PURCHASE, AMOUNT PAID AND PLACE OF PURCHASE. CUSTOMER WILL BE CHARGED FOR THE REPAIR OF ANY UNIT RECEIVED WITHOUT SUCH PROOF OF PURCHASE.**

#### Limited Warranty Limits and Exclusions

This warranty ONLY COVERS failures due to defects in materials or workmanship, and DOES NOT COVER normal wear and tear or cosmetic damage. The warranty ALSO DOES NOT COVER damages which occurred in shipment, or failures which are caused by products not supplied by Panasonic Canada Inc., or failures which result from accidents, misuse, abuse, neglect, mishandling, misapplication, alteration, faulty installation, set-up adjustments, misadjustment of consumer controls, improper maintenance, power line surge, lightning damage, modification, introduction of sand, humidity or liquids, commercial use such as hotel, office, restaurant, or other business or rental use of the product, or service by anyone other than a Authorized Servicer or other Authorized Servicer, or damage that is attributable to acts of God.

**THERE ARE NO EXPRESS WARRANTIES EXCEPT AS LISTED UNDER "LIMITED WARRANTY COVERAGE". THE WARRANTOR IS NOT LIABLE FOR INCIDENTAL OR CONSEQUENTIAL DAMAGES RESULTING FROM THE USE OF THIS PRODUCT, OR ARISING OUT OF ANY BREACH OF THIS WARRANTY.** (As examples, this excludes damages for lost time, travel to and from the servicer, loss of or damage to media or images, data or other memory or recorded content. The items listed are not exclusive, but for illustration only.)

**ALL EXPRESS AND IMPLIED WARRANTIES, INCLUDING THE WARRANTY OF MERCHANTABILITY, ARE LIMITED TO THE PERIOD OF THE LIMITED WARRANTY.** Some states do not allow the exclusion or limitation of incidental or consequential damages, or limitations on how long an implied warranty lasts, so the exclusions may not apply to you. This warranty gives you specific legal rights and you may also have other rights which vary from state to state. If a problem with this product develops during or after the warranty period, you may contact your dealer or Service Center. If the problem is not handled to your satisfaction, then write to:

Panasonic Corporation of North America  
Consumer Affairs Department 8th Fl.  
Two Riverfront Plaza  
Newark NJ 07102-5490

**PARTS AND SERVICE, WHICH ARE NOT COVERED BY THIS LIMITED WARRANTY, ARE YOUR RESPONSIBILITY.**

## Shop Accessories!

for all your Panasonic gear

Go to

<http://shop.panasonic.com/support>

Get everything you need to get the most out of your Panasonic products  
Accessories & Parts for your Camera, Phone, A/V products, TV, Computers & Networking, Personal Care, Home Appliances, Headphones, Batteries, Backup Chargers & more...

#### Customer Services Directory

For Product Information, Operating Assistance, Parts, Owner's Manuals, Dealer and Service info go to <http://shop.panasonic.com/support>

For the hearing or speech impaired TTY: 1- 877- 833-8855

## Limited Warranty (ONLY FOR CANADA)

### Panasonic Canada Inc.

5770 Ambler Drive, Mississauga, Ontario L4W 2T3

## PANASONIC PRODUCT – LIMITED WARRANTY EXCHANGE PROGRAM

Panasonic Canada Inc. warrants this product to be free from defects in material and workmanship under normal use and for a period as stated below from the date of original purchase agrees to, at its option either (a) repair your product with new or refurbished parts, (b) replace it with a new or a refurbished equivalent value product, or (c) refund your purchase price. The decision to repair, replace or refund will be made by Panasonic Canada Inc.

Accessories	One (1) year
-------------	--------------

This warranty is given only to the original purchaser, or the person for whom it was purchased as a gift, of a Panasonic brand product mentioned above sold by an authorized Panasonic dealer in Canada and purchased and used in Canada, which product was not sold "as is", and which product was delivered to you in new condition in the original packaging.

**IN ORDER TO BE ELIGIBLE TO RECEIVE WARRANTY SERVICE HEREUNDER, A PURCHASE RECEIPT OR OTHER PROOF OF DATE OF ORIGINAL PURCHASE, SHOWING AMOUNT PAID AND PLACE OF PURCHASE IS REQUIRED**

#### LIMITATIONS AND EXCLUSIONS

This warranty ONLY COVERS failures due to defects in materials or workmanship, and DOES NOT COVER normal wear and tear or cosmetic damage. The warranty ALSO DOES NOT COVER damages which occurred in shipment, or failures which are caused by products not supplied by Panasonic Canada Inc., or failures which result from accidents, misuse, abuse, neglect, mishandling, misapplication, alteration, faulty installation, set-up adjustments, misadjustment of consumer controls, improper maintenance, power line surge, lightning damage, modification, introduction of sand, humidity or liquids, commercial use such as hotel, office, restaurant, or other business or rental use of the product, or service by anyone other than a Authorized Servicer, or damage that is attributable to acts of God.

Dry cell batteries are also excluded from coverage under this warranty.

THIS EXPRESS, LIMITED WARRANTY IS IN LIEU OF ALL OTHER WARRANTIES, EXPRESS OR IMPLIED, INCLUDING ANY IMPLIED WARRANTIES OF MERCHANTABILITY AND FITNESS FOR A PARTICULAR PURPOSE. IN NO EVENT WILL PANASONIC CANADA INC. BE LIABLE FOR ANY SPECIAL, INDIRECT OR CONSEQUENTIAL DAMAGES RESULTING FROM THE USE OF THIS PRODUCT OR ARISING OUT OF ANY BREACH OF ANY EXPRESS OR IMPLIED WARRANTY. (As examples, this warranty excludes damages for lost time, travel to and from the Authorized Servicer, loss of or damage to media or images, data or other memory or recorded content. This list of items is not exhaustive, but for illustration only.)

In certain instances, some jurisdictions do not allow the exclusion or limitation of incidental or consequential damages, or the exclusion of implied warranties, so the above limitations and exclusions may not be applicable. This warranty gives you specific legal rights and you may have other rights which vary depending on your province or territory.

#### CONTACT INFORMATION

For product operation and information assistance, please visit our Support page:

[www.panasonic.ca/english/support](http://www.panasonic.ca/english/support)

For defective product exchange within the warranty period, please contact the original dealer.

The serial number of this product can be found on the left side of the headphones.  
Remove the left ear pad to see it.  
Please note them in the space provided below and keep for future reference.  
MODEL NUMBER RP-HD305B  
SERIAL NUMBER \_\_\_\_\_

User memo:

DATE OF PURCHASE \_\_\_\_\_  
DEALER NAME \_\_\_\_\_  
DEALER ADDRESS \_\_\_\_\_  
TELEPHONE NUMBER \_\_\_\_\_

#### Français

## IMPORTANTES MISES EN GARDE

Avant d'utiliser l'appareil, lire attentivement les instructions qui suivent. Se conformer tout particulièrement aux avertissements inscrits sur l'appareil et aux consignes de sécurité indiquées ci-dessous. Conserver le présent manuel pour consultation ultérieure.

- Lire attentivement ces instructions.
- Conserver ces instructions.
- Lire toutes les mises en garde.
- Suivre toutes les instructions.
- Ne pas utiliser cet appareil près d'une source d'eau.
- Ne nettoyer qu'avec un chiffon sec.
- Ne pas bloquer les événements d'aération. Installer l'appareil selon les instructions du fabricant.
- Ne pas installer l'appareil près d'un appareil de chauffage tel qu'un radiateur, une cuisinière, un registre de chaleur ou tout dispositif émettant de la chaleur (y compris un amplificateur).
- Pour des raisons de sécurité, ne pas modifier la fiche polarisée ou celle de mise à la terre. Une fiche polarisée est une fiche à deux lames, dont une plus large. Une fiche de mise à la terre est une fiche à deux lames avec une broche de masse. La lame plus large ou la broche de masse procure une protection accrue. Si ce genre de fiche ne peut être inséré dans une prise de courant, communiquer avec un électricien pour remplacer la prise.
- S'assurer que le cordon est placé dans un endroit où il ne risque pas d'être écrasé, piétiné ou coincé. Faire particulièrement attention à ses extrémités de branchement, y compris sa fiche.
- N'utiliser que les accessoires ou périphériques recommandés par le fabricant.
- N'utiliser l'appareil qu'avec un chariot, meuble, trépied, support ou table recommandé par le fabricant ou vendu avec l'appareil. Lors de l'utilisation d'un chariot, le déplacer avec le plus grand soin afin d'éviter tout dommage.
- Débrancher cet appareil lors d'un orage ou en cas de non-utilisation prolongée.
- Confié l'appareil à un technicien qualifié pour toute réparation : cordon d'alimentation ou fiche endommagée, liquide renversé ou objet tombé dans l'appareil, exposition à la pluie ou à une humidité excessive, mauvais fonctionnement ou échappement de l'appareil.

#### Précautions de sécurité



L'appareil que vous vous êtes procuré est alimenté par une batterie au lithium-ion. Pour des renseignements sur le recyclage de la batterie, veuillez composer le 1-800-8-BATTERY.

Le présent appareil est conforme à la partie 15 des règles de la FCC et aux CNR d'Innovation, Sciences et Développement économique Canada applicables aux appareils radio exempts de licence. L'exploitation est autorisée aux deux conditions suivantes : (1) l'appareil ne doit pas produire de brouillage, et (2) l'appareil doit accepter tout brouillage subi, même si le brouillage est susceptible d'en compromettre le fonctionnement.

Cet équipement est conforme aux limites d'exposition aux rayonnements énoncées pour un environnement non contrôlé et respecte les règles d'exposition radioélectriques (RF) de la FCC et les lignes directrices d'exposition aux fréquences radioélectriques (RF) CNR-102 de l'ISDE puisque cet appareil émet une énergie RF très faible.

**CE QUI SUIT NE S'APPLIQUE QU'AU CANADA.**  
CAN ICES-3(B)/NMB-3(B)

#### Appareil

##### ATTENTION :

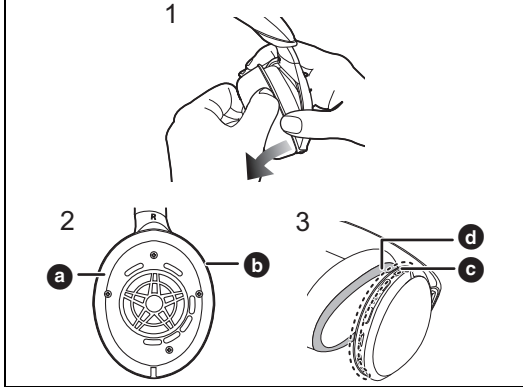
- Pour réduire les risques d'incendie, de chocs électriques ou de dommages à l'appareil,
- Ne pas exposer cet appareil à la pluie, à l'humidité, aux gouttes ou aux éclaboussures.
- Ne pas placer d'objet rempli de liquide, comme des vases, sur cet appareil.
- Utiliser les accessoires recommandés.
- Ne pas retirer les couvercles.
- Ne pas réparer cet appareil par soi-même. Référer la réparation à un personnel de service qualifié.

- Éviter d'utiliser ou de placer cet appareil près d'une source de chaleur.
- Ne pas utiliser l'oreille de la conduite d'un véhicule motorisé. Cela peut créer un danger pour le trafic, et c'est illégal dans plusieurs régions.
- Ne pas écouter avec cet appareil à un volume élevé dans des endroits où vous devez entendre des sons provenant du milieu environnant pour la sécurité, comme les passages à niveau, de liquides ou d'humidité, d'une utilisation commerciale (dans un hôtel, un bureau, un restaurant ou tout autre usage par affaires ou en location), d'une réparation effectuée par une entité autre qu'un centre de service Panasonic agréé ou encore d'une catastrophe naturelle.

- Toute utilisation doit cesser si l'on rencontre un inconfort avec les coussinets ou toute autre pièce touchant directement la peau.
- Une utilisation continue peut provoquer des éruptions cutanées ou d'autres réactions allergiques.

Utiliser uniquement le cordon de charge USB fourni lors de la connexion à un ordinateur.

Retirer le coussinet d'oreille droit pour afficher les informations d'authentification. (1)  
Les informations d'authentification (●) sont indiquées sur la plaque d'encante (●), qui devient visible lorsque l'oreillette droite (côté D) est retirée. (2)  
Pour fixer le coussinet d'oreille, insérer la partie (●) du coussinet d'oreille dans la partie (●) (3)  
Ne pas tirer fort lors de la conduite du coussinet lors de la mise en place ou du retrait.



La marque et les logos Bluetooth® sont des marques déposées appartenant à Bluetooth SIG, Inc. et toute utilisation de telles marques par Panasonic Corporation est sous licence. Les autres marques de commerce et dénominations commerciales appartiennent à leurs propriétaires respectifs.

Siri est une marque de commerce d'Apple Inc.

QR Code est une marque déposée de DENSO WAVE INCORPORATED.

Qualcomm aptX est un produit de Qualcomm Technologies, Inc. et/ou de ses filiales.

Qualcomm est une marque de commerce de Qualcomm Incorporated, enregistrée aux États-Unis et dans d'autres pays. aptX est une marque de commerce de Qualcomm Technologies International, Ltd, enregistrée aux États-Unis et dans d'autres pays.

Les autres noms de système et de produits figurant dans ce document sont en général les marques déposées ou les marques de commerce des entreprises de développement respectives.

Noter que les marques ™ et ® n'apparaissent pas dans ce document.

## Certificat de garantie limitée (Pour le Canada seulement)

### Panasonic Canada Inc.

5770, Ambler Drive, Mississauga (Ontario) L4W 2T3

## PRODUIT PANASONIC – GARANTIE LIMITÉE PROGRAMME DE REMPLACEMENT

Panasonic Canada Inc. garantit que ce produit est exempt de défauts de matériaux et de main-d'œuvre dans un contexte d'utilisation normale pendant la période indiquée ci-après à compter de la date d'achat original et, dans l'éventualité d'une défectuosité, accepte, à sa discrétion, de (a) réparer le produit avec des pièces neuves ou remises à neuf, (b) remplacer le produit par un produit neuf ou remis à neuf d'une valeur équivalente ou (c) rembourser le prix d'achat. La décision de réparer, remplacer ou rembourser appartient à Panasonic Canada Inc.

Accessoires	Un (1) an
-------------	-----------

La présente garantie n'est fournie qu'à l'acheteur original d'un des produits de marque Panasonic indiqués plus haut, ou à la personne l'ayant reçu en cadeau, vendu par un détaillant Panasonic agréé au Canada et utilisé au Canada. Le produit ne doit pas avoir été "vendu tel quel" et doit avoir été livré à l'état neuf dans son emballage d'origine.

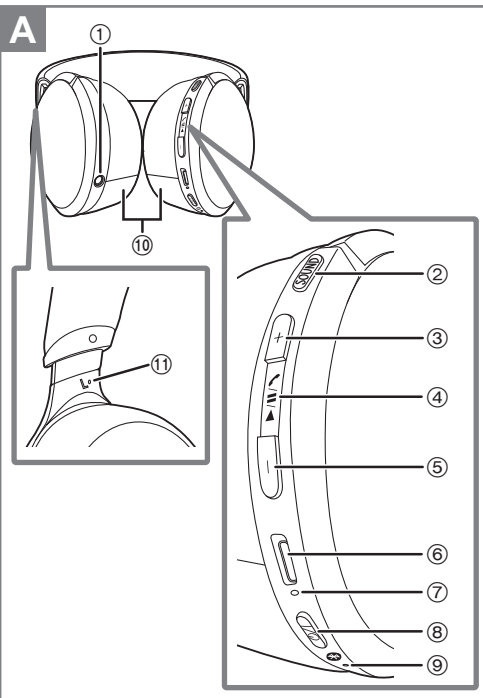
**POUR ÊTRE ADMISSIBLE AUX SERVICES AU TITRE DE LA PRÉSENTE GARANTIE, LA PRÉSENTATION D'UN REÇU D'ACHAT OU DE TOUTE AUTRE PIÈCE JUSTIFICATIVE DE LA DATE D'ACHAT ORIGINAL, INDIQUANT LE MONTANT PAYÉ ET LE LIEU DE L'ACHAT, EST REQUIS.**

#### RESTRICTIONS ET EXCLUSIONS

La présente garantie COUVRE SEULEMENT les défaillances attribuables à un défaut des matériaux ou à un vice de fabrication et NE COUVRE PAS l'usure normale ni les dommages accidentels. La présente garantie NE COUVRE PAS NON PLUS les dommages subis pendant le transport, les défaillances causées par des produits non fournis par Panasonic Canada Inc., ni celles résultant d'un accident, d'un usage abusif ou impropre, de négligence, d'une maintenance inadéquate, d'une mauvaise application, d'une altération, d'une installation ou de réglages incorrects, d'un mauvais réglage des contrôles de l'utilisateur, d'un mauvais entretien, d'une surtension temporaire, de la foudre, d'une modification, de la pénétration de sable, de liquides ou d'humidité, d'une utilisation commerciale (dans un hôtel, un bureau, un restaurant ou tout autre usage par affaires ou en location), d'une réparation effectuée par une entité autre qu'un centre de service Panasonic agréé ou encore d'une catastrophe naturelle.

Les piles sèches sont également exclues de la présente garantie.

CETTE GARANTIE LIMITÉE ET EXPRESSE REMPLACE TOUTE AUTRE GARANTIE, EXPRESSE OU IMPLICITE, INCLUANT LES GARANTIES IMPLICITES DU CARACTÈRE ADEQUAT POUR LA COMMERCIALISATION ET UN USAGE PARTICULIER. PANASONIC CANADA INC. N'AURA D'OBLIGATION EN AUCUNE CIRCONSTANCE POUR TOUT DOMMAGE DIRECT, INDIRECT OU CONSÉQUENTIF RÉSULTANT DE L'UTILISATION DE CE PRODUIT OU DÉCOULANT DE TOUTE DÉROGATION À UNE GARANTIE EXPRESSE



## English

### A Part names

- Audio input terminal
- [SOUND] button
- [+] button
- [▶/⏸/⏪] button
- [ ] button
- Charging terminal (DC IN)
- Power/pairing LED
- [⏩/⏹] button\*
- Microphone
- Ear pads
- Raised dot indicating the left side

\* ⏩/⏹: Standby/ON

### B Charging

The rechargeable battery (installed in the unit) is not charged initially. Charge the battery before using the unit.

Connect this unit to a computer (●) using the USB charging cord (supplied) (●).

- The power/pairing LED (●) lights in red when charging is in progress. When charging is completed, the power/pairing LED will go out.
- It takes approx. 5 hours to charge the battery from empty to full.
- Check the direction of the terminals and plug in/out straight holding onto the plug. (It may result in malfunction by the deforming of the terminal if it is plugged in obliquely or in wrong direction.)

• If it is not possible to turn the power on or connect to Bluetooth® devices during charging.

• Make sure the computer is turned on and is not on standby or sleep mode.

• Do not use any other USB charging cords except the supplied one.

• When the battery level starts to run low, the blinking power/pairing LED will turn from blue to red, and as it drops further, you will be notified by one beep every 1 minute.\* When the battery runs out, an English guidance message will be heard and the power will turn off.

\* If you press [⏩/⏹] twice quickly, an English guidance message will be heard and you can check the battery level.

### C Turning the power on/off

Press and hold [⏩/⏹] (●) of this unit for approx. 3 seconds until the power/pairing LED (blue) (●) blinks.

• A beep will sound, and the power/pairing LED (blue) will blink slowly.

**To turn the power off**

Press and hold [⏩/⏹] (●) for approximately 3 seconds. An English guidance message will be heard, and the power will be turned off.

• If the unit is not connected to a Bluetooth® device, an English guidance message will be heard and turn off the unit automatically approximately 5 minutes after you have stopped using it. (Auto power off)

### D Connecting a Bluetooth® device

#### Bluetooth® pairing

**1 In the power-off state, press and hold [⏩/⏹] (●) of this unit until the power/pairing LED blinks.**

– When pairing a device for the first time: approx. 3 seconds

– When pairing a second or subsequent devices: approx. 5 seconds

• This unit will start to search for a Bluetooth® device to connect to, and the power/pairing LED will light alternately in blue and red.

**2 Turn on the power of the Bluetooth® device, and enable the Bluetooth® function.**

**3 Select “RP-HD305B” (●) from the Bluetooth® device’s menu.**

• If prompted for a passkey, input the passkey “0000 (four zeros)” of this unit.

• When the power/pairing LED (blue) blinks twice every approx. 2 seconds, pairing (registration) is completed. (Connection established)

• If connection to a device is not established within approximately 5 minutes, the unit will be turned off. Perform pairing again.

#### Connecting a paired Bluetooth® device

**1 Turn on this unit.**

**2 Perform steps 2 and 3 of “Bluetooth® pairing”, (→ above)**

• When the power/pairing LED (blue) blinks twice every approx. 2 seconds, pairing (registration) is completed. (Connection established)

### E Using the headphones

When using the functions below that are indicated with the [⌘] mark, connect the Bluetooth® device and the unit.

#### Listening to music [⌘]

Select and play the music on the Bluetooth® device.

• The unit’s headphones will output the music or the audio of the video being played back.

#### Remote controlling (Available only if your Bluetooth® device supports “AVRCP” Bluetooth® profiles) [⌘]

(Operation example)

**Play / Pause:** Press [▶/⏸/⏪] (●).

**Increase the volume:** Press [+ ] (●).

**Decrease the volume:** Press [– ] (●).

**Forward to the start of next track:** Press [▶/⏸/⏪] twice quickly.

**Return to the start of current track:** Press [▶/⏸/⏪] three times quickly.

**Fast forward:** Press [▶/⏸/⏪] twice quickly; hold the second press.

**Fast rewind:** Press [▶/⏸/⏪] three times quickly; hold the third press.

• The volume can be adjusted in 31 levels (16 levels during calls). When the maximum or minimum volume is reached, a beep will sound.

#### Selecting the sound mode [⌘]

This changes the sound quality of the music or video being played back.

**Press the [SOUND] (●) button on this unit.**

• Each press of this button changes the sound quality.

– Bass Enhancer : Produces a more dynamic sound effect with enhanced bass.

– Clear Voice : Produces a sound effect which makes human voices, such as vocals and dialogues, clear to listen to.

– OFF : Turns off sound effects.

• The settings immediately before the power is turned off is stored.

• You will be notified by audio guidance when the mode is switched.

• This may not be effective depending on the music or video being played back.

### Making a phone call [⌘]

**1 Press [▶/⏸/⏪] (●) on the unit and answer the incoming call.**

• (HFP only) To reject the incoming call, press [▶/⏸/⏪] twice quickly.

**2 Start talking.**

**3 Press [▶/⏸/⏪] to end the phone call.**

• (HFP only) It may be difficult to hear phone conversations when the unit is used in locations with loud ambient noise or in outdoor or other locations exposed to powerful winds. In that case, change the calling location or switch the calling device to the Bluetooth® enabled phone to continue the call. (Press [▶/⏸/⏪] on the unit twice quickly to switch.)

• You can have the Bluetooth® enabled phone make phone calls by using the microphone of the unit and an app of the Bluetooth® enabled phone.

(→ below, “Activating a voice functions”)

### Activating voice functions [⌘]

You can use a button on this unit to activate Siri or other voice functions on your smartphone or similar device.

**Press and hold [▶/⏸/⏪] (●) on this unit until the voice function is activated.**

#### Using the detachable cord (supplied)

While the power is turned off or the battery has no remaining charge, this unit can be used as normal headphones by connecting the detachable cord (supplied) (●).

• If you connect the detachable cord (supplied) when connected via Bluetooth®, the power will turn off.

• Noise may occur due to dirt on the plug. Clean the plug with a soft dry cloth if this occurs.

• Do not use any other detachable cords except the supplied one.

### Restoring to the factory settings

Charge the battery before restoring the unit.

**1 While the power is turned off, press and hold [⏩/⏹] (●) for at least 5 seconds until the power/pairing LED lights alternately in blue and red.**

**2 While the power/pairing LED is lighting alternately in blue and red, press [+ ] (●) and [– ] (●) at the same time for at least 5 seconds.**

• The default settings will be restored after the power/pairing LED (blue) blinks fast and the unit turns off.

• When pairing a device again, delete the registering information (Device: “RP-HD305B”) from the Bluetooth® device’s menu, and register this unit with the Bluetooth® device again. (→ [E])

### To remove the battery when disposing of this unit

The following instructions are not intended for repairing purposes but for the disposal of this unit. This unit is not restorable once disassembled.

• When disposing of this unit, take out the battery installed in this unit and recycle it.

• Disassemble after the battery runs out.

• Keep disassembled parts out of reach of children.

Regarding the handling of used batteries

• Insulate the terminals with adhesive tape or similar material.

• Do not disassemble.

• Do not heat or expose to flame.

• Do not leave the battery(ies) in a car exposed to direct sunlight for a long period of time with doors and windows closed.

• Battery mishandling can cause electrolyte leakage which can damage items the leaked fluid comes into contact with. If electrolyte leaks from the battery, consult your dealer. Wash thoroughly with water if electrolyte comes in contact with any part of your body.

• When disposing of the batteries, please contact your local authorities or dealer and ask for the correct method of disposal.

**1 Insert a flat-head screwdriver into the groove on the outward-facing side of the left headphone (●).**

**2 Use the flat-head screwdriver to pry up ●.**

**3 Remove the battery, and cut off the wires one by one with scissors.**

## Troubleshooting

Before requesting service, make the following checks. If you are in doubt about some of the check points, or if the remedies indicated in the chart do not solve the problem, refer to “Customer Services Directory” on the front page if you reside in the U.S.A., or refer to “CONTACT INFORMATION” on the front page if you reside in Canada.

### No sound.

• Make sure that the unit and the Bluetooth® device are connected correctly. (→ [D])

• Check if music is playing on the Bluetooth® device.

• Make sure that the unit is turned on and the volume is not set too low.

• Pair and connect the Bluetooth® device and the unit again.

• Check if the Bluetooth® compatible device supports “A2DP” profile. For details on profiles, see “Listening to music” in “Owner’s Manual (PDF format)”. Also refer to the operating manual for the Bluetooth® compatible device.

• If there is more than one active Bluetooth® device around this unit, it may be connected to the wrong one, so check that it is connected to the correct one.

### Low volume.

• Increase the volume of the unit. (→ [E])

• Increase the volume on the Bluetooth® device.

**Sound from the device is cut off. / Too much noise. / Sound quality is bad.**

• Sound may be disrupted if signals are blocked. Do not fully cover this unit with the palm of your hand, etc.

• The device may be out of the 10 m (33 ft) communication range. Move the device closer to this unit.

• Remove any obstacle between this unit and the device.

• Switch off any wireless LAN device when not in use.

### The device cannot be connected.

• Delete the pairing information for this unit from the Bluetooth® device, then pair them again. (→ [E])

### You cannot hear the other person.

• Make sure that the unit and the Bluetooth® enabled phone are turned on.

• Check if the unit and the Bluetooth® enabled phone are connected. (→ [E])

• Check if the audio settings of the Bluetooth® enabled phone. Switch the calling device to the unit if it is set to the Bluetooth® enabled phone. (→ [D])

• If the volume of the other person’s voice is too low, increase the volume of both the unit and the Bluetooth® enabled phone.

**Cannot make a phone call.**

• Check if the Bluetooth® compatible device supports “HSP” or “HFP” profile. For details on profiles, see “Listening to music” and “Making a phone call” in “Owner’s Manual (PDF format)”. Also refer to the operating manual for the Bluetooth® enabled phone.

**The unit does not respond.**

• This unit can be reset when all operations are rejected. To reset the unit, connect the unit to a computer using the USB charging cord. (The pairing device information will not be deleted.)

• The power cannot be turned on when the detachable cord (supplied) is connected. (→ [E])

### Cannot charge the unit.

• Is the USB port you are currently using working properly? If your computer has other USB ports, unplug the connector from its current port and plug it into one of the other ports.

• If the measures mentioned above are not applicable, unplug the USB charging cord and plug it in again.

• If the charge time and operating time become shortened, the battery may have run down. (Number of charging times of the installed battery: Approximately 300)

**The power/pairing LED does not light during charging. / Charging takes longer.**

• Is the USB charging cord connected firmly to the USB terminal of the computer? (→ [E])

• Make sure to charge in a room temperature between 10 °C and 35 °C (50 °F and 95 °F).

**The power does not turn on.**

• Is the unit being charged? The power cannot be turned ON during charging. (→ [E])

• The power cannot be turned on when the detachable cord (supplied) is connected. (→ [E])

### The audio guidance language has changed.

• The audio guidance language can be switched. (Press and hold [– ] and [⏩/⏹] for at least 5 seconds.) It is possible to switch the audio guidance between English and French.

## Specifications

### General

**Power supply** DC 5 V, 300 mA (internal battery; 3.7 V (Li-polymer))

**Operating time**<sup>1</sup> Approx. 24 hours (SBC)

**Charging time**<sup>2</sup> (25 °C (77 °F)) Approx. 5 hours

**Charging temperature range** 10 °C to 35 °C (50 °F to 95 °F)

**Operating temperature range** 0 °C to 40 °C (32 °F to 104 °F)

**Operating humidity range** 35 %RH to 80 %RH (no condensation)

**Mass (Weight)** Approx. 218 g (7.7 oz) (without cord)

### Bluetooth® section

**Frequency band** 2402 MHz to 2480 MHz

**Supported profiles** A2DP, AVRCP, HSP, HFP

**Supported codec** SBC, AAC, Qualcomm® aptX™, Qualcomm® aptX™ Low Latency

### Headphone section

**Impedance** 38 Ω (Power off, with cord)

### Speaker section

**Max input** 1000 mW (IEC)

<sup>1</sup> It may be shorter depending on the operating conditions.

<sup>2</sup> The time required to charge the battery from empty to full.

• Specifications are subject to change without notice.

## Français

### A Nom des pièces

- Prise d’entrée audio
- Touche [SOUND]
- Touche [+]
- Touche [▶/⏸/⏪]
- Touche [–]
- Borne de charge (DC IN)
- DEL d’alimentation/couplage
- Touche [⏩/⏹]
- Microphone
- Coussinets
- Point surélevé indiquant le côté gauche

\* ⏩/⏹ : Mise en attente / MARCHÉ

### B Charge

La batterie rechargeable (installée dans l’appareil) n’est pas chargée initialement. La charger avant d’utiliser cet appareil.

Brancher cet appareil à un ordinateur (●) en utilisant le cordon de charge USB (fourni) (●).

• La DEL d’alimentation/couplage (●) s’allume en rouge lorsque la charge est en cours. Une fois la charge terminée, la DEL s’éteint.

• Il faut compter environ 5 heures pour recharger entièrement la batterie.

• Vérifier le sens des fiches, puis les brancher/débrancher tout droit. (Une déformation de la borne peut entraîner un dysfonctionnement si la fiche est branchée obliquement ou dans une mauvaise direction.)

• Il n’est pas possible de mettre l’appareil sous tension ou de le connecter à des dispositifs Bluetooth® pendant la charge.

• S’assurer que l’ordinateur est en marche et qu’il n’est pas en attente ou en mode veille.

• Ne pas utiliser un autre cordon de charge USB, sauf celui fourni.

• Lorsque le niveau de la batterie commence à baisser, le clignotement de la DEL d’alimentation/couplage passe de bleu à rouge et lorsqu’il baisse davantage, un bip est émis toutes les minutes.\* Une fois que la batterie est déchargée, un message d’assistance en anglais se fait entendre avant la mise hors tension de l’appareil.

\* En pressant [⏩/⏹] deux fois rapidement, un message d’assistance en anglais se fait entendre et il est possible de vérifier le niveau de la batterie.

### C Mise en/hors marche

Maintenir la touche [⏩/⏹] (●) de cet appareil enfoncée pendant environ 3 secondes jusqu’à ce que la DEL d’alimentation/couplage (bleu) (●) clignote.

• Un bip se fait entendre et la DEL d’alimentation/couplage (bleu) clignote lentement.

**Mise hors marche**

Maintenir la touche [⏩/⏹] (●) enfoncée pendant environ 3 secondes. Un message d’assistance en anglais se fait entendre et l’alimentation est coupée.

• Si l’appareil n’est pas branché à un autre appareil Bluetooth®, un message d’assistance en anglais se fait entendre et l’appareil s’éteint environ 5 minutes après utilisation. (Mise hors marche automatique)

### D Connexion d’un dispositif Bluetooth®

#### Couplage Bluetooth®

**1** Lorsque l’appareil est hors marche, maintenir la touche [⏩/⏹] (●) de cet appareil enfoncée jusqu’à ce que la DEL d’alimentation/couplage clignote.

– Lors du couplage d’un dispositif pour la première fois : environ 3 secondes

– Lors du couplage d’un deuxième ou de plusieurs dispositifs : environ 5 secondes

• Cet appareil lance la recherche d’un dispositif Bluetooth® auquel se connecter et la DEL d’alimentation/couplage s’allume alternativement en bleu et en rouge.

**2 Mettre sous tension le dispositif Bluetooth® et activer la fonction Bluetooth®.**

**3 Sélectionner “RP-HD305B” (●) à partir du menu du dispositif Bluetooth®.**

• À l’invite d’un mot de passe, saisir celui de cet appareil “0000 (quatre zéros)”

• Lorsque la DEL d’alimentation/couplage (bleu) clignote deux fois à environ toutes les 2 secondes, le couplage (enregistrement) est complété. (Connexion établie)

• Si la connexion à un appareil ne s’établit pas en environ 5 minutes, l’appareil sera mis hors marche. Refaire le couplage.

#### Connexion d’un dispositif Bluetooth® couplé

**1 Mettre cet appareil en marche.**

**2 Effectuer les étapes 2 et 3 de “Couplage Bluetooth®” (→ ci-dessus).**

• Lorsque la DEL d’alimentation/couplage (bleu) clignote deux fois à environ toutes les 2 secondes, le couplage (enregistrement) est complété. (Connexion établie)

### E Utilisation du casque d’écoute

Lors de l’utilisation des fonctions ci-dessous qui sont indiquées par le symbole [⌘], connecter le dispositif Bluetooth® à l’appareil.

#### Écoute de musique [⌘]

Sélectionner et effectuer la lecture de la musique sur le dispositif Bluetooth®.

• Les haut-parleurs de l’appareil reproduisent la musique ou l’audio de la vidéo en cours de lecture.

#### Télécommande (disponible uniquement si le dispositif Bluetooth® prend en charge les profils Bluetooth® “AVRCP”) [⌘]

(Exemple d’opération)

**Lecture / Pause :** Appuyer sur [▶/⏸/⏪] (●).

**Augmentation du volume :** Appuyer sur [+ ] (●).

**Diminution du volume :** Appuyer sur [– ] (●).

**Passage au début de la prochaine piste :** Appuyer rapidement deux fois sur [▶/⏸/⏪]