

PODMIC

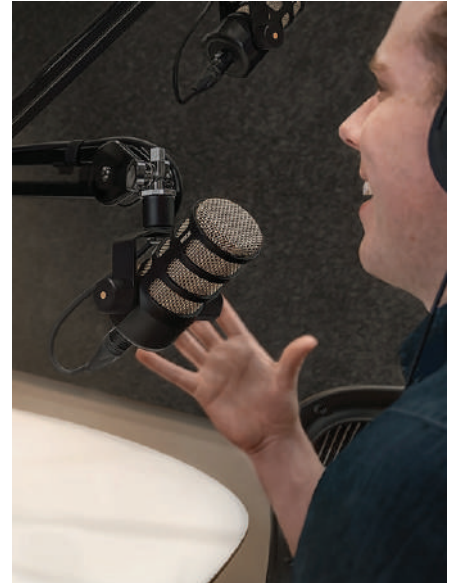
DYNAMIC PODCASTING MICROPHONE



The PodMic is a broadcast quality, dynamic microphone optimised for podcasting. It has a rich, balanced sound, with an internal pop filter to minimise plosives and internal shockmounting to reduce vibration.

The PodMic is optimised for use with the RØDECaster™ Pro integrated podcast production console, but will also offer exceptional results with any high-quality microphone interface.

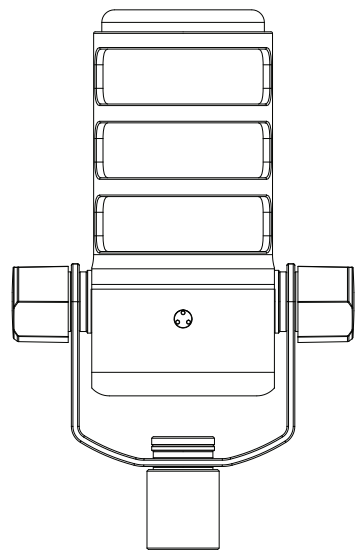
- Broadcast quality dynamic capsule
- Optimised for speech applications
- Internal pop filter to minimise plosives
- Robust, all metal construction
- Optimised for use with RØDECaster Pro console



SPECIFICATIONS

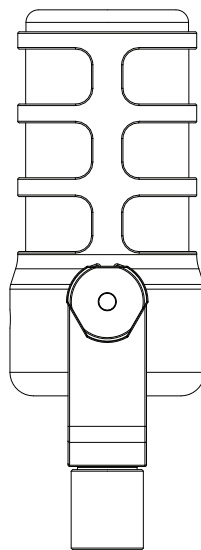
| | |
|---------------------------------|---|
| Acoustic Principle: | Dynamic |
| Polar Pattern: | Cardioid |
| Frequency Range: | 20Hz ~20 kHz |
| Output Impedance: | 320Ω |
| Sensitivity: | -57.0dB re 1 Volt/Pascal (1.60mV @ 94 dB SPL) +/- 2 dB @ 1kHz |
| Output Connection: | XLR |
| Phantom Power: | Not required |
| Colour: | Black |
| Weight: | 937g |
| Product Dimensions (LxWxH, mm): | 172 x 109 x 62 |
| Compatible RØDE Accessories: | PSA1 |

Front view



109mm

Side view



62mm

172mm

