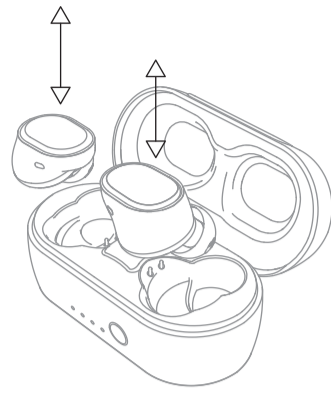




USER GUIDE

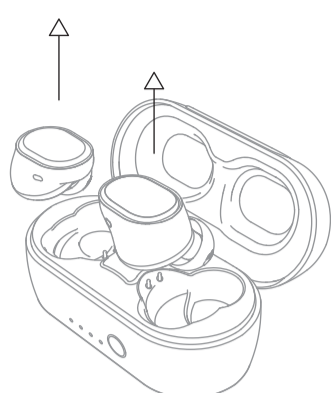
Sesh Evo | Sesh XT Evo

Auto Pair Mode



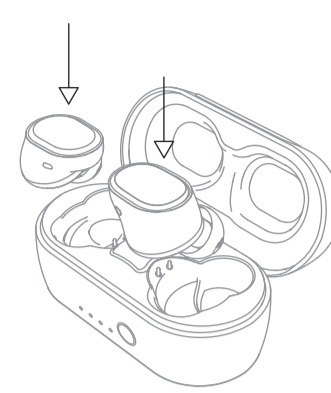
Pairing Mode
Mode Couplage
Modo De Vinculación
Modalità Di Accoppiamento
Modo Emparelhamento
Koppelmodus
Paamodus
Pardannelsevstilstand
Laitteparin Muodostusta
Sammenkoblingsmodus
Parningsläge
Режим Сопрежения
配对模式
ペアリングモード
페어링 모드
وضع التزاوج

Auto Power - On



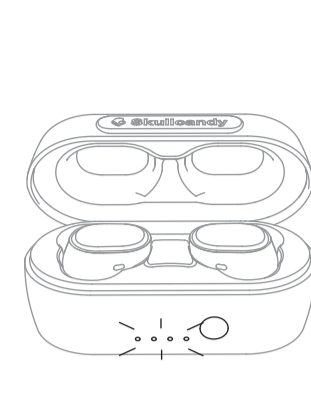
Power - On
On
Encendido
Accensione
Ligar
Ein
Aan-
Tænd
Virta Päälle
Strøm Av
Ström Av
Включить
开机
電源 - On
전원 켜기
تفعيل

Auto Power - Off



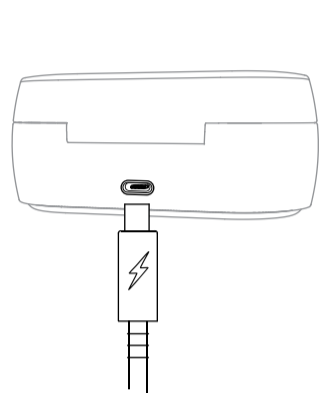
Power - Off
Off
Apagado
Spegnimento
Deslgar
Aus
Uitzetting
Sluk For Strom
Pois
På
På
выключить Питание
关机
電源 - Off
끄기
تغشيل

Charge Earbuds



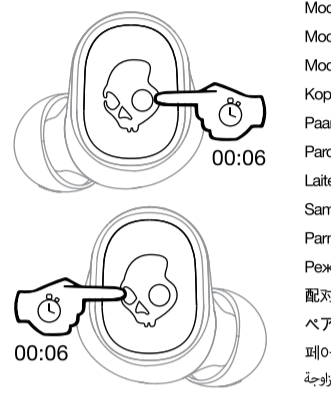
Charge Earbuds
Rechargez Les Ecouteurs
Audiifonos De Carga
Carica Gli Auricolari
Carregar Auriculares
Kopfhörer Aufladen
Opladen Oordoppen
Oplad Høretelefoner
Lataa Nappikuulokkeet
Lade Örespiggur
Ladda Öronsnäckor
Наушники С Аккумулятором
为耳机充电
イヤホン充電
이오버드를 충전하세요
يشارج انايسر

Charge Case



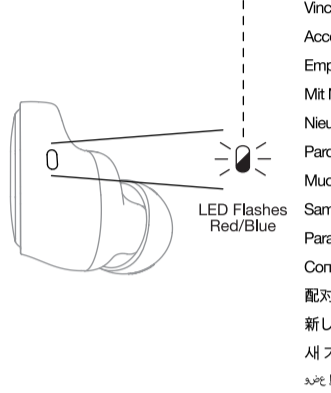
Charge Case
Rechargez L'étui
Estuche De Carga
Carica La Custodia
Estujo De Carregamento
Hülle Aufladen
Opladetui
Opladeretui
Lataa Kotelo
Ladingseske
Laddningsodtral
Чехол-аккумулятор
充電座
充電ケース
케이스를 충전하세요
حش الحام

Pairing Mode



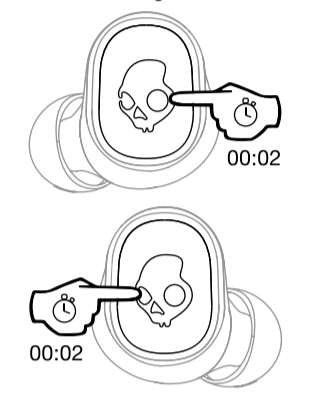
Pairing Mode
Mode Couplage
Modo De Vinculación
Modalità Di Accoppiamento
Modo Emparelhamento
Koppelmodus
Paamodus
Pardannelsevstilstand
Laitteparin Muodostusta
Sammenkoblingsmodus
Parningsläge
Режим Сопрежения
配对模式
ペアリングモード
페어링 모드
وضع التزاوج

Pair New Device



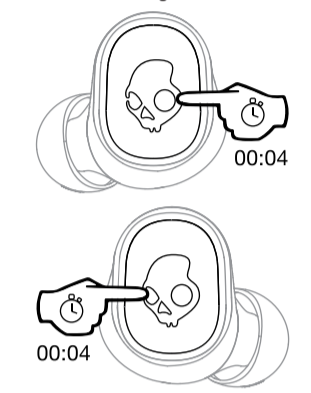
Pair New Device
Coupler Nouvel Appareil
Vincular Nuevo Dispositivo
Accoppia Nuovo Dispositivo
Emparelhar Novo Dispositivo
Mit Nuev Gerätt Koppeln
Nieuw Apparaat Paren
Pardan Ny Enhed
Muodosta Uusi Laittepari
Sammenkoble Ny Enhet
Para Ny Enhet
Сопрежение Носоро Устройства
配对新设备
新しいデバイスをペアリング
새 기기| 짝 맞추기
واجج ايجام انايسر

Power - On



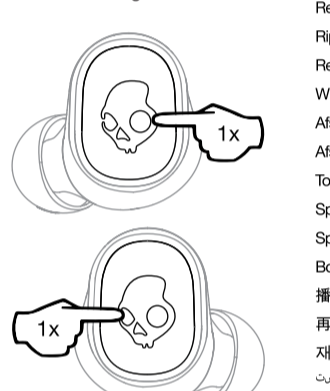
Power-On
On/off
Encendido
Accensione
Ligar
Ein
Aan-
Tænd
Virta Päälle
Strøm Av
Ström Av
Включить
开机
電源 - On
전원 켜기
تغشيل

Power - Off



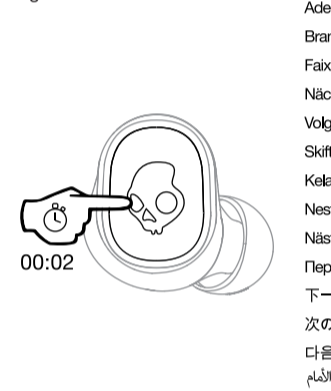
Power-Off
Off
Apagado
Spegnimento
Deslgar
Aus
Uitzetting
Sluk For Strom
Pois
På
På
выключить Питание
关机
電源 - Off
끄기
تغشيل

Play/Pause



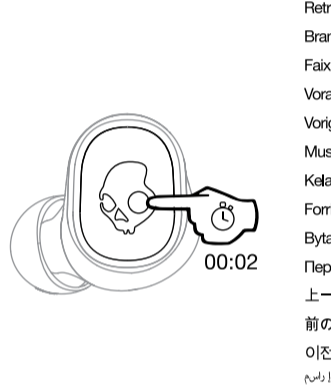
Play/pause
Lecture/pause
Reproducir/pausar
Riproduci/pausa
Reproduzir/colocar Em Pausa
Wiedergabe/pause
Afspele/pauzeren
Afspil/pause
Toisto/tauko
Spill/pause
Spela Upp/pausa
Воспроизведение/pauza
播放/暂停
再生 / 一時停止
재생/일시 정지
تجدد انايسر

Track Forward



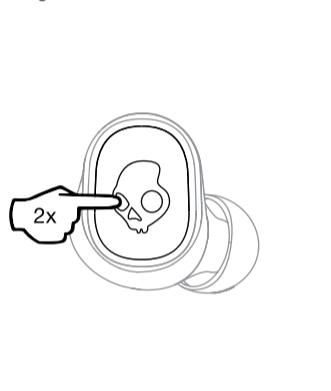
Track Forward
Piste Suivante
Adelantar
Brano Successivo
Faixa Seguinte
Nächster Titel
Vorangehender Titel
Vorig Nummer
Skift Til Næste Musiknummer
Kelaus Etseppäin
Neste Spor
Nästa Ljudspår
Переключение На 1 Трек Вперед
下一曲目
次のトラックを再生する
다음 트랙으로
مسار إلى التام

Track Back



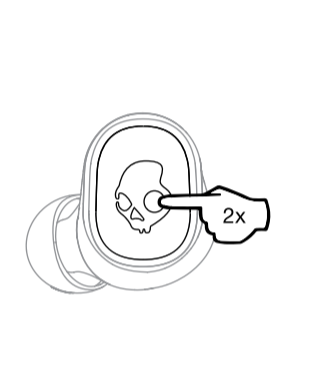
Track Back
Piste Précédente
Retroceder
Brano Precedente
Faixa Anterior
Vorangehender Titel
Vorig Nummer
Musiknummer Tilbage
Kelaus Taksepäin
Fornige Spor
Byta Till Föregående Spår
Переключение На 1 Трек Назад
上一曲目
前のトラックを再生する
이전 트랙으로
مسار إلى وادريم

Volume Up



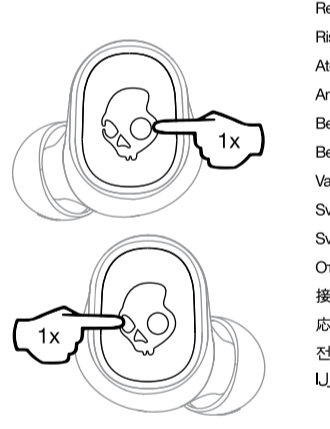
Volume Up
Volume +
Subir Volumen
Aumentar Volume
Aumentar O Volume
Lautstärke Erhöhen
Volume Omhoog
Skrü Op For Lydstyrken
Äänenvoimakkuuden Lisäys
Volum Opp
Öka Volymen
Увеличение Громкости
音量増大
音量を上げる
볼륨 높이기
رفع مستوى الصوت

Volume Down



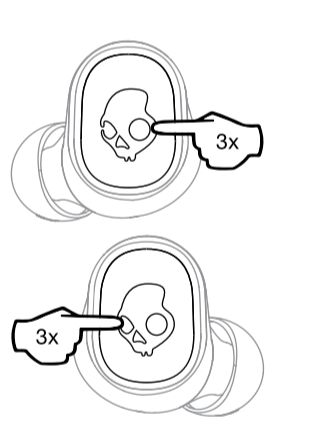
Volume Down
Volume -
Bajar Volumen
Riduzione Volume
Diminuir O Volume
Lautstärke Senken
Volume Omlaag
Skrü Ned For Lydstyrken
Äänenvoimakkuuden Vähennys
Volum Ned
Sänka Volymen
Уменьшение Громкости
音量减小
音量を下げる
볼륨 낮추기
خفض مستوى الصوت

Answer/End



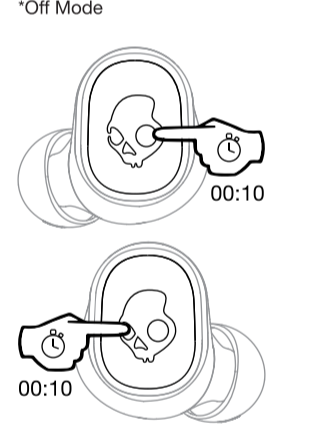
Answer/end
Répondre/fin
Responder/colgar
Risposta/fine
Atender/deslgar
Annehmen/beenden
Beantworten/beendigen
Besvar/afslut
Vastaus/lopetus
Svar/avslutt
Svara/lägg På
Osvetny/zakonny
接听/结束
応答 / 終了
전화 받기/끝기
اعتاد إلى التام

Activate Voice Assistant



Activate Voice Assistant
Activer l'assistant vocal
Activar el asistente de voz
Attivare assistente vocale
Ativar assistente de voz
Sprachassistenten aktivieren
Stemhulp activeren
Aktivér talestotte
Aktivér taleassistent
Aktiviera röstassistent
Активировать голосовой помощник
激活语音助理
ボイスアシスタントを
アクティベートする
음성 인식 가동화
توصيل انايسر

Clear Paired Device



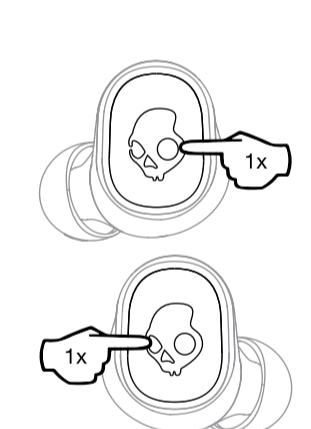
Reset Device
Réinitialiser l'Appareil
Reiniciar el Dispositivo
Ripristina Dispositivo
Reinicie o Dispositivo
Rückstelleneinrichtung
Reset het Apparaat
Nulstil Enhed
Nollaa Laite
Nulstil Enhet
Återställ Enhet
Сброс устройства
重置设备
デバイスをリセット
기기 재설정
راجع إلى انايسر

Tile™ Enabled: Download the App



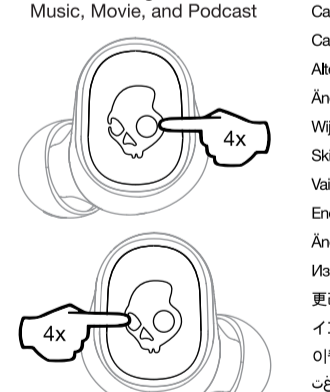
Download the Tile™ App
Télécharger l'App Tile™
Descargar la Aplicación Tile™
Scaricare l'App Tile™
Transferir a Aplicação Tile™
Die Tile™-App Herunterladen
De Tile™-app downloaden
Download Tile™ App
Lataa Tile™-sovellus
Last ned Tile™-Appen
Ladda ner Tile™-Appen
Заргунуть приложение Tile™
下载 Tile™ 应用
Tile™ アプリをダウンロードする
Tile™ 앱 다운로드하기
تحميل تطبيق Tile™

Pair Tile™



Pair Tile™
Associer Tile™
Emparejar Tile™
Atbinar Tile™
Emparhar Tile™
Tile™ koppeln
Met Tile™ koppelen
Par med Tile™
Muodosta Tile™-laittepari
Sammenkoble med Tile™
Para Tile™
Привязать Tile™
配对 Tile™
Tile™ をペアリングする
Tile™ 페어링하기
تزاوج Tile™

3 EQ Modes



Change equalizer modes
Changer les modes d'égaliseur
Cambiar modos de ecualizador
Cambia modalità equalizzatore
Alterar os modos do equalizador
Ändra Sien den Equalizer-Modus
Wizig de equalizermodi
Skift utljingningstilstande
Valida taajuuskorjaimen tiloja
Ändre utjvningningsmodus
Ändra utjämnarlägen
Изменить режим эквалайзера
更改均衡器模式
イコライザーモードの変更
이퀄라이저 모드 변경
لتجاوب على انايسر

Questions Visit: www.skullcandy.com
Si vous avez des questions, allez sur : www.skullcandy.com
Si tienes dudas, visita: www.skullcandy.com
Domande Visitare il sito: www.skullcandy.com
Fazer perguntas: www.skullcandy.com
Fragen Besuch: www.skullcandy.com
Voor vragen bezoek: www.skullcandy.com
For spørsmål se: www.skullcandy.com
Vastausia klytvy: www.skullcandy.com
For spørsmål, besök: www.skullcandy.com
Vid frågor, besök: www.skullcandy.com
Если у вас возникли вопросы, посетите: www.skullcandy.com
如有疑问请访问: www.skullcandy.com
質問がある場合はこちらをご覧ください: www.skullcandy.com
문의 사항: www.skullcandy.com
تجاوب لاسئلة انايسر

EN Speaker Driver: 6mm, Impedance: 32 Ohms, THD <3%@1KHz, Voltage Regulation: 5V, 500mA, Bluetooth® 5.0, Frequency Band: 2402MHz - 2480MHz, Maximum Power: 10mw, Weight: 63.5g, FR Driver Preload: 6mm, Impedance: 32 Ohms, THD <3%@1KHz, Tension: 5V, 500mA, Bluetooth® 5.0, Banda de frecuencia: 2402MHz - 2480MHz, Pussancio Maximum: 10mw, Poids: 63.5g, ES Controlador del altavoz: 6mm, Impedancia: 32 Ohms, THD <3%@1KHz, Voltage: 5V, 500mA, Bluetooth® 5.0, Banda de frecuencia: 2402MHz - 2480MHz, Poder Máximo: 10mw, Peso: 63.5g, DE Lautsprecher-Treiber: 6mm, Impedanz: 32 Ohm, THD <3%@1KHz, Spannungsregulung: 5V, 500mA, Bluetooth® 5.0, Frequenzband: 2402MHz - 2480MHz, Maximale Performance: <10mw, Gewicht: 63.5g, JP スピーカー ドライバー: 6mm, インピーダンス: 32Ω, フリーク: 5V, 500mA, THD <3%@1KHz, 電圧レギュレーション: 5V@0.5A, Bluetooth® 5.0, 周波数帯域: 2402MHz - 2480MHz, 最大消費電力: 10mw, 重量: 63.5g, ZH 扬声器驱动器: 6毫米, 阻抗: 32欧姆, THD <3%@1KHz, 电压调节: 5V, 500mA, 蓝牙5.0, 频率带: 2402MHz - 2480MHz, 最大功率: 10mw, 重量: 63.5g.

EN Skullcandy, and other marks are registered trademarks of Skullcandy, Inc. All rights reserved. FR Skullcandy et les autres marques sont des marques déposées de Skullcandy, Inc. Tous droits réservés. ES Skullcandy y las demás marcas son marcas registradas de Skullcandy, Inc. Todos los derechos reservados.

EN Maximum operating temperature 45°C.
FR Température maximale de fonctionnement 45°C.
ES Temperatura máxima de funcionamiento 45°C.
DE Maximale Betriebstemperatur 45°C.
JP 最高使用温度は45℃です。
ZH 最高工作温度 45°C.

FCC Compliance Statement

This device complies with Part 15 of the FCC Rules. Operation is subject to the following two conditions: (1) this device may not cause harmful interference, and (2) this device must accept any interference received, including interference that may cause undesired operation.

Changes or modifications not expressly approved by the party responsible for compliance could void the user's authority to operate the equipment.

This equipment has been tested and found to comply with the limits for a Class B digital device, pursuant to Part 15 of the FCC Rules. These limits are designed to provide reasonable protection against harmful interference in a residential installation. This equipment generates, uses and can radiate radio frequency energy and, if not installed and used in accordance with the instructions, may cause harmful interference to radio communications. However, there is no guarantee that interference will not occur in a particular installation. If this equipment does cause harmful interference to radio or television reception, which can be determined by turning the equipment off and on, the user is encouraged to try to correct the interference by one or more of the following measures:

L'émetteur/récepteur exempt de licence

This device is exempt from the requirements of the FCC Rules. Operation is subject to the following two conditions: (1) this device must accept any interference received, including interference that may cause undesired operation.

Changes or modifications not expressly approved by the party responsible for compliance could void the user's authority to operate the equipment.

This equipment has been tested and found to comply with the limits for a Class B digital device, pursuant to Part 15 of the FCC Rules. These limits are designed to provide reasonable protection against harmful interference in a residential installation. This equipment generates, uses and can radiate radio frequency energy and, if not installed and used in accordance with the instructions, may cause harmful interference to radio communications. However, there is no guarantee that interference will not occur in a particular installation. If this equipment does cause harmful interference to radio or television reception, which can be determined by turning the equipment off and on, the user is encouraged to try to correct the interference by one or more of the following measures:

ISED SAR Compliance Statement
This equipment complies with ISED radiation exposure limits set forth for an uncontrolled environment. End user must follow the specific operating instructions for satisfying RF exposure compliance. This transmitter must not be co-located or operating in conjunction with any other antenna or transmitter.
The portable device is designed to meet the requirements for exposure to radio waves established by the ISED. These requirements set a SAR limit of 1.6 W/kg averaged over one gram of tissue. The highest SAR value reported under this standard during product certification for use when properly worn on the body.
Cet équipement est conforme aux limites d'exposition aux rayonnements ISED établies pour un environnement non contrôlé. L'utilisateur final doit suivre les instructions spécifiques pour satisfaire les normes. Cet émetteur ne doit pas être co-implanté ou fonctionner en conjonction avec toute autre antenne ou transmetteur.
Le dispositif portable est conçu pour répondre aux exigences d'exposition aux ondes radio établie par le développement énergétique DURABLE. Ces exigences un SAR limite de 1,6 W/kg en moyenne pour un gramme de tissu. La valeur SAR la plus élevée signalée en vertu de cette norme lors de la certification de produit à utiliser lorsqu'il est correctement porté sur le corps.

Americas
Skullcandy, Inc.
6301 N. Landmark Dr.
Park City, UT 84098 U.S.A.
Skullcandy.com

Canada
Skullcandy Canada ULC
329 Railway St. Unit 205
Vancouver, BC, V6A 1A4 Canada
Skullcandy.ca

Europe
Skullcandy Europe BV
Postbus 426
5500AK Veldhoven Nederland
Skullcandy.eu

Mexico
Skullcandy Mexico S de RL de CV
Aristoteles 218
Polanco IV Seccion, Miguel Hidalgo
11550, Mexico City, Mexico
Skullcandy.mx

Japan/日本
Skullcandy Japan合同会社
〒150-0001 東京都渋谷区神宮前
5-17-11 パークサイドオーサキビル
Skullcandy Japanカスタマーサービス
商品についてのお問い合わせはこちら
Skullcandy.jp

EN Contains Li-ion battery. Battery must be recycled or disposed of properly.
FR Contient une batterie Li-ion. La batterie doit être recyclée ou jeté correctement.
ES Contiene una batería Li-ion. La batería debe ser reciclada o desechada adecuadamente.

Hardware Version: V5.1
Software Version: V5.0

R-C-Sku-S2TW

018-200004

CE ENEC NOM

有害物质	产品中有害物质的名称及含量					
	邻苯二甲酸类化合物	汞及其化合物	镉及其化合物	六价铬 (Cr(VI))及其化合物	多溴联苯 (PBB)	多溴二苯醚 (PBDE)
金属材料	0	0	0	0	0	0
外壳材料	0	0	0	0	0	0
电子元件类	无	0	0	0	0	0
印刷电路板	0	0	0	0	0	0
电线类零件	0	0	0	0	0	0
喇叭与麦克风零件	0	0	0	0	0	0
电池零件	0	0	0	0	0	0

规格依据 GB/T 11364-2014 的限定限制

0: 表示该有害物质在该部件所有均质材料中的含量均符合 GB/T 26572-2011 规定的限量要求以下;

无: 表示该有害物质至少在该部件的某一均质材料中的含量超过 GB/T 26572-2011 规定的限量要求, 注: 这些超出限量的物质的存在是在现有科学技术水平下暂时无法避免的, 且符合欧盟 RoHS 指令等部件豁免要求。

