

BG7040



Manufactured for:  
Philips Personal Health  
a division of Philips North America LLC  
P.O. Box 10313, Stamford, CT 06904  
USA



This symbol on the product's nameplate means it is listed by Underwriters' Laboratories, Inc.

Norelco is a registered trademark of Philips North America LLC.

PHILIPS and Philips shield are registered trademarks of Koninklijke Philips N.V.

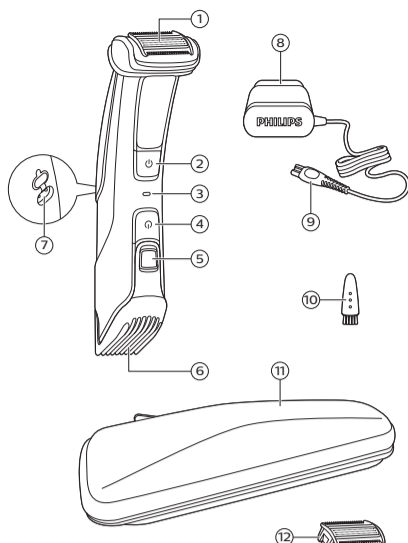
©2018 Philips North America LLC. All rights reserved.

4222.002.9074.1 (4/26/2018)



>75% recycled paper  
>75% papier recyclé





English

## IMPORTANT SAFETY INSTRUCTIONS

When using an electric product, basic precautions should always be followed, including the following:

**Read all instructions before using this product.**

When using an electric product, basic precautions should always be followed, including the following:

**Read all instructions before using this product.**

## DANGER

**To reduce the risk of electric shock:**

- Do not reach for a corded product that has fallen into water. Unplug immediately.
- Power plug and the accessories connected to it are not for immersion or for use in shower.
- Do not use an extension cord with this product.
- Do not place or store the product where it can fall or be pulled into a tub or sink, water or other liquid while plugged in.
- Always unplug the appliance before you clean it under the tap.
- The batteries used in this product may present a fire or chemical burn hazard if mistreated. Do not disassemble, heat above 100°C (212°F) or incinerate.
- This appliance is waterproof (Fig. 2). It is suitable for use in the bath or shower and for cleaning under the tap. For safety reasons, the appliance can therefore only be used without cord.

## WARNING

**To reduce the risk of burns, fire, electric shock, or injury to persons:**

- Close supervision is required when this product is used by, on, or near children, or persons with limited physical, sensory, or mental capabilities or invalids.
- Use this product only for its intended household use as described in this manual. Do not use attachments not recommended by Philips North America LLC.
- This product is only intended for shaving and trimming body parts below the neckline. Do not use it to shave or trim hair on your face or head.
- Never operate this product if it has a damaged power cord or charging plug, if it is not working properly, if it has been dropped or damaged, or dropped into water while plugged in. For assistance call 1-800-243-3050.
- Keep the product, cord, charging plug and any attachments away from heated surfaces.
- Never drop or insert any object into any opening.

- Do not use the adapter in or near a power outlet that contains an electric air freshener to prevent damage to the adapter.
- Do not charge, clean or plug in product outdoors or operate where aerosol (spray) products are being used or where oxygen is being administered.
- Always check cutters, foil, cutting unit and guards before using the product. Do not use the product if cutters, cutting unit or guards are damaged, as injury may occur.
- Always attach power cord to product first, then to outlet. Be certain plug is inserted firmly into product up to mark indicated on plug. To disconnect, turn product off then remove power cord from outlet.
- Keep the power cord dry at all times. Do not handle with wet hands.
- Use only the cord provided to charge the product.
- Never put the product in direct sunlight or store at a temperature above 140°F (60°C).
- This product is water-safe and can be rinsed under running tap water or used in shower. Do not submerge product in water.
- To prevent possible damage to the cord, do not wrap cord around the product.
- This product is for use on human hair only. Do not use the product for any other purpose.
- Always store the product, attachments and power cord in a moisture-free area. Make sure the cord is disconnected from the product.
- Do not attempt to open the product to remove or replace the built-in rechargeable battery.
- Only use the power plug and other accessories supplied with the product.

## SAVE THESE INSTRUCTIONS

**IMPORTANT:** The power plug contains a transformer. Do not cut off the power plug to replace it with another plug as this will cause a hazardous condition.

### Introduction

Congratulations on your purchase and welcome to Philips Norelco!

To fully benefit from the support that Philips Norelco offers, register your product at [www.norelco.com/register](http://www.norelco.com/register).

### General description (Fig. 1)

- 1 Shaver head
- 2 Shaver head on/off button
- 3 Battery status indicator
- 4 Trimmer head on/of button
- 5 Length selector
- 6 Trimming comb
- 7 Small plug inlet
- 8 Power plug
- 9 Small plug
- 10 Brush
- 11 Case
- 12 Replacement shaving foil unit

### Charging

#### Charging

Charging takes approx. 1 hour. Charge the product before you use it for the first time and when the display flashes orange o indicate that the battery is almost empty.

- Charging, recharging or using the product at temperatures below 40°F (4.5°C) or higher than 95°F (35°C) adversely affects the lifespan of the battery.
  - If the product is subjected to a major change in temperature, pressure or humidity, let the product stand for 30 minutes before use.
- 1 Make sure the product is switched off.
  - 2 Raise the inlet cover (1). Insert the small plug into the product (2) (Fig. 3) and put the power plug in any 120V-240 AC outlet.
  - 3 After charging, remove the power plug from the wall outlet and pull the small plug out of the product. Put the inlet cover back in place.

Note: An adapter plug may be necessary for cord usage in some foreign countries. Use

an attachment plug adapter of the proper configuration for power outlet.

### Battery status indications

- When the battery is almost empty, the battery status indicator flashes orange (Fig. 4).
- When the product is charging, the battery status indicator flashes white (Fig. 5).
- When the battery is fully charged, the battery status indicator lights up white continuously.

Note: After approx. 30 minutes, the battery status indicator goes out automatically.

### Operating time

When the product is fully charged it has a cordless operating time of up to 80 minutes.

### Using the product

You can use the product wet or dry to shave or trim hair on all parts of the body below the neckline.

**Always check the product and all accessories before you use it. Do not use the product or any accessory if it is damaged, as this may cause injury. Always replace a damaged part with one of the original type.**

- Use this product for its intended household use as described in this manual.
- For hygienic reasons, the product should only be used by one person.
- Trimming is easier when the skin and hair are dry

Note: This product is waterproof (Fig. 2). It is suitable for use in the bath or shower and for cleaning under the tap. For safety reasons, this product can therefore only be used without cord (Fig. 6).

## Trimming

### Trimming tips

**Do not use the trimmer head on sensitive areas without the guard attachment.**

- If you are trimming for the first time, be careful. Do not move the product too fast. Make smooth and gentle movements.
- When you trim for the first time, use trimming setting 7 (9/32 in./7mm) to familiarize yourself with the product.
- Since all hairs do not grow in the same direction, you may want to try different trimming directions (i.e. upwards, downwards, or across). Practice is best for optimum results.
- Always make smooth and gentle movements and be sure the surface of the guard always stays in contact with your skin.
- For body trimming, make sure hair is clean and dry as wet hair tends to stick to the body and when trimming sensitive areas, always use the trimming comb attachment.

### Trimming

- 1 Press the length selector (1) and then slide it up or down to select the desired hair length setting (2) (Fig. 7).
- 2 Press the trimmer head on/off button to turn on the product (Fig. 8).
- 3 Trim against the direction of hair growth for optimal performance (Fig. 9).

Note: Make sure that the flat part of the trimming guard is always fully in contact with the skin.

- 4 Turn off and clean the product after each use.

## Shaving

**Do not use the shaver head to shave or trim hair on face or head.**

- When shaving sensitive areas for the first time, you may feel some discomfort, irritation or reddening of the skin. This is normal as your skin needs time to adjust to shaving.
- If your hair is longer than 13/32in. (10 mm), trim hair to a length of 1/8in. (3mm) first for optimum shaving results.
- For dry use, be certain that your skin is clean and dry before using the shaver head.

**Inspect shaving foil of the shaver head before each use. Replace the foil element when the foil is damaged (Fig. 10).**

- 1 Press the shaver head on/off button to turn on the product (Fig. 11).
- 2 Stretch your skin taut with your free hand (Fig. 12), (Fig. 13). Gently press the shaver head to skin and move it slowly and smoothly against the direction of hair growth (Fig. 14),
  - Do not press too hard. Too much pressure can distort the foil and cause skin irritation.
  - Make sure the shaver head is always in full contact with your skin.
  - The shaver is bi-directional, which means that you can shave by moving the product up and down. Shave against the direction of hair growth for optimal performance.
- 3 Switch off and clean the product after each use.

## Cleaning

**Never use scouring pads, abrasive cleaning agents or aggressive liquids such as gasoline or acetone to clean the product.**

**Never dry trimmer or shaving foil head with a towel, brush or tissue, as this may cause damage.**

### Cleaning the trimmer head

- 1 Turn off the product.
- 2 Remove the comb by pressing the length selector (1) and sliding it upwards (2) (Fig. 15). Rinse the comb with water.
- 3 Open the cutting element by pressing the cutting element upwards with your thumb (Fig. 16).
- 4 Clean the hair chamber with the brush and rinse it under the tap (Fig. 17).
- 5 Shake off excess water. Allow the product to air dry completely.
  - Never dry the trimmer head with a towel or tissue, as this may cause damage.
- 6 Close the trimming unit. You will hear a 'click' (Fig. 18).

Reattach the trimming comb (1) and press the length selector button to lock it in the right position (2) (Fig. 19).

### Cleaning the shaver

- 1 Turn off the product.
- 2 Pull the shaving foil unit out of the shaver head (Fig. 20).
  - Hold the shaving foil unit by the plastic housing only.
- 3 Rinse the shaving foil unit with luke warm running tap water. Shake off excess water (Fig. 21).
- 4 Allow the shaving foil head to air dry completely.
  - Never dry trimmer or shaving foil head with a towel, brush or tissue, as this may cause damage.
- 5 Rinse the hair chamber under luke warm running tap water to remove any residual debris (Fig. 22).
- 6 Reattach the shaving foil unit by snapping it back onto the shaver head. You will hear a click (Fig. 23).

## Storage

- Be sure the product is turned off. Remove cord from outlet and the product before storing it in a safe, dry location where it will not be crushed, banged, or subject to damage.
- Do not wrap cord around the product when storing.
- Store cord in a safe location where it will not be cut or damaged.
- Do not place or store the product where it can fall or be pulled into a tub or sink, water or other liquid while plugged in.

## Accessories

Replacement parts may be purchased on our website [www.philips.com/store](http://www.philips.com/store). For maximum product performance, replace shaving foil head once a year.

- Model BG2000 Philips Norelco Replacement Shaving Foil Head.

## Replacement

### Replacing the shaving foil head

For maximum shaving performance, we advise you to replace the shaving foil unit

every year (BG2000). If the shaving foil unit is worn or damaged, do not use the product and replace immediately. Always replace the shaving foil unit with original Philips Norelco shaving foil unit Accessories.

1 Switch off the product and disconnect it from the wall outlet.

2 Remove the shaving foil unit by pulling it off the shaving head (Fig. 20).

**Note:** Handle the shaving foil unit with care, as it can be damaged.

3 Place the new shaving foil unit on the product by snapping it into place (Fig. 23). You will hear a click.

This product has no other user-serviceable parts. For assistance call 1-800-243-3050.

### **Assistance**

For assistance, visit our website:

**[www.philips.com/support](http://www.philips.com/support)** or call toll free 1-800-243-3050.

Online information is available 24 hours a day, 7 days a week.

### **Disposal**

- This product contains a rechargeable lithium-ion battery which must be disposed of properly.
- Contact your local town or city officials for battery disposal information. You can also call 1-800-822-8837 or visit **[www.call2recycle.org](http://www.call2recycle.org)** for battery drop-off locations.
- For assistance, visit our website **[www.philips.com/support](http://www.philips.com/support)** or call 1-800-243-3050 toll free.
- Your product is designed and manufactured with high quality materials and components, which can be recycled and reused. For recycling information, please contact your local waste management facilities or visit **[www.recycle.philips.com](http://www.recycle.philips.com)**

### **Full Five-Year Warranty**

Philips North America LLC warrants this new product (except foil, cutters and guards) against defects in materials or workmanship for a period of five years from the date of purchase, and agrees to repair or replace any defective product without charge.

**IMPORTANT:** This warranty does not cover damage resulting from accident, misuse or abuse, lack of reasonable care, the affixing of any attachment not provided with the product or loss of parts or subjecting the product to any but the specified voltage or batteries.\*

#### **NO RESPONSIBILITY IS ASSUMED FOR ANY SPECIAL, INCIDENTAL OR CONSEQUENTIAL DAMAGES.**

In order to obtain warranty service, simply go to **[www.philips.com/support](http://www.philips.com/support)** for assistance. It is suggested that for your protection you return shipments of product by insured mail, insurance prepaid. Damage occurring during shipment is not covered by this warranty.

NOTE: No other warranty, written or oral, is authorized by Philips North America LLC.

This warranty gives you specific legal rights, and you may also have other rights which vary from state to state. Some states do not allow the exclusion or limitation of incidental or consequential damages, so the above exclusion and limitations may not apply to you.

\*Read enclosed instructions carefully.

### **45-DAY MONEY-BACK GUARANTEE**

If you are not fully satisfied with your product send the product back and we'll refund you the full purchase price.

**The product must be shipped prepaid by insured mail, insurance prepaid, have the original sales receipt, indicating purchase price and date of purchase, and the money-back guarantee return authorization form enclosed.**

**We cannot be responsible for lost mail.**

The product must be postmarked no later than 45 days after the date of purchase. Philips reserves the right to verify the purchase price of the product and limit refunds not to exceed suggested retail price.

**To obtain money-back guarantee return authorization form, call 1-800-243-3050 for assistance.**

**Delivery of refund check will occur 6–8 weeks after receipt of returned product.**

Español

## **INSTRUCCIONES IMPORTANTES DE SEGURIDAD**

Cuando utilice un producto eléctrico, siempre debe seguir las precauciones básicas, incluidas las siguientes:

**Lea todas las instrucciones antes de usar este producto.**

Cuando utilice un producto eléctrico, siempre debe seguir las precauciones básicas, incluidas las siguientes:

**Lea todas las instrucciones antes de usar este producto.**

## **PELIGRO**

**Para reducir el riesgo de descarga eléctrica:**

- No intente recoger un producto con cable que haya caído al agua. Desenchúfelo inmediatamente.
- El enchufe de alimentación y los accesorios conectados a este no deben sumergirse ni usarse en la ducha.
- No utilice este producto con un cable de extensión.
- No coloque ni guarde el producto en un lugar desde donde pueda, de algún modo, caerse a una bañera, lavabo o dentro de cualquier recipiente que contenga agua o líquido.
- Desenchufe siempre el aparato antes de limpiarlo bajo la llave.
- Las baterías que se emplean en este producto pueden representar un riesgo de incendio o de quemadura química si no se manipulan correctamente. No desarme, incinere ni permita que la temperatura de las baterías supere los 100 °C (212 °F).
- Este aparato es a prueba de agua (Fig. 2). Es apropiado para su uso en el baño o la ducha y puede lavarse en la llave. Por lo cual por razones de seguridad, el aparato solo se puede usar sin cable.

## **ADVERTENCIA**

**Para reducir el riesgo de quemaduras, incendio, descarga eléctrica o lesiones:**

- El uso de este dispositivo debe estar bajo estricta supervisión cuando esté operado por niños, por personas con capacidades mentales, sensoriales o físicas limitadas o por personas con discapacidades, o cuando se emplee en o cerca de estos.
- Use este producto solo para el uso doméstico previsto como se describe en este manual. No use accesorios que no estén recomendados por la corporación Philips North America LLC.
- Este producto solo está diseñado para afeitar y recortar en las partes del cuerpo del cuello para abajo. No lo use para afeitar o recortar el vello facial o el cabello.
- Nunca emplee este producto si el cable eléctrico o el enchufe de carga están dañados, si no funciona correctamente, si se cayó, si está dañado o si se sumergió en agua mientras estaba conectado a la alimentación eléctrica. Para solicitar asistencia, comuníquese al 1-800-243-3050.
- Mantenga el producto, el cable, el enchufe de carga y cualquier accesorio lejos de superficies calientes.
- No deje caer ni introduzca ningún objeto en ninguna abertura.
- No utilice el adaptador dentro o cerca de una salida de corriente que contenga un aromatizador eléctrico para prevenir daño al adaptador.
- No cargue, limpie o conecte el producto a la intemperie ni lo use donde se estén usando productos de aerosol (atomizador) o donde se esté administrando oxígeno.

- Siempre revise las cuchillas, el aluminio, la unidad de corte y los protectores antes de usar el producto. No use el producto si las cuchillas, la unidad de corte o los protectores están dañados, ya que puede producirse una lesión.
- Siempre conecte primero el cable de alimentación al producto, después a la toma de corriente. Asegúrese de que el enchufe esté insertado firmemente en el producto hasta la marca indicada en el enchufe. Para desconectar, apague el producto y luego desconecte el cable de alimentación de la toma de corriente.
- Mantenga el cable de alimentación siempre seco. No lo use con las manos mojadas.
- Utilice solo el cable provisto para cargar el producto.
- Nunca exponga el producto a la luz directa del sol ni lo guarde en lugares con temperaturas superiores a los 140° F (60° C).
- Este producto es resistente al agua y se puede enjuagar bajo agua corriente o usarse en la regadera. No sumerja el producto en agua.
- Para evitar dañar el cable, no lo enrolle alrededor del producto.
- Este producto es para uso en cabello humano solamente. No use el producto para ningún otro propósito.
- Siempre guarde el producto, los accesorios y el enchufe en un lugar sin humedad. Asegúrese de que el cable esté desconectado del producto.
- No intente abrir el producto para retirar o reemplazar la batería recargable integrada.
- Utilice únicamente la clavija de alimentación y los accesorios suministrados con el producto

## CONSERVE ESTAS INSTRUCCIONES

**¡IMPORTANTE!** El enchufe eléctrico contiene un transformador. No corte el enchufe eléctrico para reemplazarlo con otro ya que esto puede producir una condición de peligro.

### Introducción

¡Felicitaciones por su compra y bienvenido a Philips Norelco!

Para beneficiarse completamente del soporte que ofrece Philips Norelco, registre el producto en [www.norelco.com/register](http://www.norelco.com/register).

### Descripción general (Fig. 1)

- 1 Cabezal de la afeitadora
- 2 Botón encendido/apagado del cabezal de la afeitadora
- 3 Indicador de estado de la batería
- 4 Botón encendido/apagado del cabezal de la recortadora
- 5 Selector del largo
- 6 Peine de recorte
- 7 Entrada del conector pequeño
- 8 Conector eléctrico
- 9 Conector pequeño
- 10 Cepillo
- 11 Estuche
- 12 Unidad de lámina de afeitar de repuesto

### Carga

#### Carga

La carga toma, aproximadamente, 1 hora. Cargue el producto antes de usarlo por primera vez y cuando la pantalla destelle en color naranja o indique que la batería está casi vacía.

- La carga, recarga o el uso del producto a temperaturas por debajo de los 40° F (4.5° C) o superiores a los de 95° F (35° C) afecta la vida útil de la batería.
  - Si se expone el producto a cambios de temperatura, presión o humedad radicales, permita que se asiente por 30 minutos antes de usarlo.
- 1 Asegúrese de que el producto esté apagado.
  - 2 Levante la cubierta de entrada (1). Inserte el conector pequeño en el producto (2) (Fig. 3) y ponga el conector de alimentación en cualquier enchufe de pared de 120V-240 AC.
  - 3 Después de realizar la carga, retire el enchufe del tomacorriente y retire la clavija pequeña del producto. Vuelva a poner la cubierta de entrada en su lugar.



Nota: Es posible que se requiera un enchufe adaptador para el uso del cable en algunos países extranjeros. Use un enchufe adaptador compatible con la configuración del tomacorriente.

### Indicaciones de estado de la batería

- Cuando la batería está casi agotada, el indicador del estado de la batería destella en color naranja (Fig. 4).
- Cuando el producto se está cargando, el indicador del estado de la batería destella en blanco (Fig. 5).
- Cuando la batería está completamente cargada, el indicador del estado de la batería destella en blanco continuamente.

Nota: Después de aproximadamente 30 minutos, el indicador de estado de la batería se apaga automáticamente.

### Tiempo de operación

Cuando el producto está totalmente cargado, posee una autonomía de funcionamiento de hasta 80 minutos sin cable.

### Uso del producto

Puede usar el producto en seco o mojado para afeitar o cortar vello en todas las partes del cuerpo debajo del cuello.

**Revise siempre el producto y accesorios antes de usarlo. No use el producto y accesorios si está dañado, ya que esto puede causar alguna lesión. Siempre reemplace una pieza dañada con una del tipo original.**

- Use este producto para su uso previsto en el hogar, según se describe en este manual.
- Por motivos de higiene, el producto debe emplearse únicamente por una persona.
- El recorte es más fácil cuando la piel y el vello están secos.

Nota: Este producto es a prueba de agua (Fig. 2). Es apropiado para su uso en el baño o la ducha y puede lavarse en la llave. Por lo cual por razones de seguridad, este producto solo se puede usar sin cable (Fig. 6).

### Recorte

**No utilice el cabezal de la recortadora en áreas sensibles sin el accesorio de protección.**

- Si está recortando por primera vez, tenga cuidado. No mueva el producto demasiado rápido. Realice movimientos suaves y agradables.
- Cuando recorte por primera vez, use el ajuste de recorte 7 (9/32 pulgadas/7mm) para familiarizarse con el producto.
- Como el cabello no crece todo en la misma dirección, quizás sería bueno que probara recortar en diferentes direcciones (por ejem. hacia arriba, hacia abajo o hacia los lados). La práctica le ayudará a lograr óptimos resultados.
- Realice siempre movimientos suaves y delicados y asegúrese de que la superficie del protector esté siempre en contacto con la piel.
- Para recortar sobre el cuerpo, asegúrese de que el vello esté limpio y seco ya que si está húmedo tiende a pegarse al cuerpo y cuando recorte en áreas sensibles use siempre el accesorio de peine de recorte.

#### Recorte

- 1 Presione el selector de longitud (1) y luego empújelo hacia arriba o hacia abajo para seleccionar el largo del vello deseado (Fig. 7).
- 2 Presione el botón de encendido/apagado del cabezal de la recortadora en el producto (Fig. 8).
- 3 Recorte siempre a contrapelo para un óptimo rendimiento (Fig. 9).

Nota: Asegúrese de que la superficie plana del protector esté siempre en completo contacto con la piel.

- 4 Apague y limpie el producto después de usarlo.

## Afeitado

**No use el cabezal de la afeitadora para afeitar o recortar el vello facial o el cabello.**

- Cuando afeite zonas sensibles por primera vez, puede sentir cierta molestia, irritación o enrojecimiento de la piel. Esto es normal, ya que la piel necesitan tiempo para ajustarse a la afeitada.
- Si su cabello es más largo de 13/32 pulg. (10 mm), corte el cabello a un largo de 1/8 pulg. (3 mm) primero para mejores resultados de afeitado.
- Para uso en seco, asegúrese de que la piel esté limpia y seca antes de usar el cabezal de la afeitadora.

**Inspeccione la lámina del cabezal de la afeitadora antes de cada uso. Reemplace el elemento de lámina cuando esté dañado (Fig. 10).**

- 1 Presione el botón de encendido/apagado del cabezal de la afeitadora en el producto (Fig. 11).
- 2 Estire bien la piel con su mano libre (Fig. 12), (Fig. 13). Presione suavemente la unidad de afeitado en la piel y muévala despacio y suavemente a contrapelo (Fig. 14).
  - No presione demasiado fuerte. Demasiada presión puede distorsionar el aluminio y producir irritación en la piel.
  - Asegúrese de que el cabezal de la afeitadora esté siempre en contacto total con la piel.
  - La afeitadora es bidireccional lo que significa que puede afeitar moviendo el producto hacia arriba o hacia abajo. Afeite siempre a contrapelo para un óptimo rendimiento.
- 3 Desconecte y limpie el producto después de cada uso.

## Limpieza

**Nunca use estropajos, agentes de limpieza abrasivos ni líquidos agresivos como gasolina o acetona para limpiar el producto.**

**Nunca seque la cortadora o la lámina de afeitado con una toalla, cepillo o pañuelo desechable, ya que esto puede dañarla.**

### Limpieza del cabezal de la cortadora

- 1 Apague el producto.
- 2 Retire el peine con el selector de longitud (1) y deslizándolo hacia arriba (2) (Fig. 15). Enjuague el peine con agua.
- 3 Abra el elemento de cortado al presionarlo hacia arriba con su dedo pulgar (Fig. 16).
- 4 Limpie la cámara de acumulación con el cepillo limpiador y/o enjuáguela bajo la llave (Fig. 17).
- 5 Sacuda el exceso de agua. Deje secar el producto al aire completamente.
  - Nunca seque el cabezal de recortado con una toalla o papel desechable, ya que esto puede dañar el dentado de recorte.
- 6 Cierre la unidad de recortado. Escuchará un "clic" (Fig. 18).

Vuelva a colocar el peine recortador (1) y presione botón selector de longitud para ajustarlo en la posición correcta (2) (Fig. 19).

### Limpieza de la afeitadora

- 1 Apague el producto.
- 2 Extraiga la unidad de aluminio de la afeitadora (Fig. 20).
  - Sostenga la unidad de lámina de afeitado por la carcasa de plástico solamente.
- 3 Enjuague la unidad de lámina de afeitado con agua caliente de la llave. Sacuda el exceso de agua (Fig. 21).
- 4 Deje secar completamente el cabezal de lámina de afeitado.
  - Nunca seque la cortadora o la lámina de afeitado con una toalla, cepillo o pañuelo desechable, ya que esto puede dañarla.
- 5 Enjuague la cámara de acumulación de vello con agua corriente caliente para limpiar los residuos (Fig. 22).
- 6 Vuelva a colocar la unidad de lámina de afeitado ajustándola de nuevo en el cabezal de la afeitadora. Escuchará un clic (Fig. 23).

## Almacenamiento

- Asegúrese de que el producto esté apagado. Retire el cable del enchufe y del producto antes de guardarlo. Guarde el producto en un lugar seguro y seco donde no pueda aplastarse, golpearse o dañarse.
- No enrolle el cable alrededor del producto para guardarlo.
- Guarde el cable en un lugar seguro donde no sufra cortes ni daños.
- No coloque ni guarde el producto en un lugar desde donde pueda, de algún modo, caerse a una bañera, lavabo o dentro de cualquier recipiente que contenga agua o líquido.

## Accesorios

Las piezas de repuesto se pueden adquirir en nuestro sitio web

**[www.philips.com/store](http://www.philips.com/store)**. Para un rendimiento óptimo del producto, reemplace el cabezal de lámina de afeitado cada año.

- Modelo BG2000 Cabezal de lámina de afeitado Philips Norelco.

## Sustitución

### Reemplazo de la lámina de afeitado

Para un rendimiento de afeitado óptimo, le aconsejamos que reemplace la unidad de lámina de afeitado cada año (BG2000). Si la unidad de lámina de afeitado está desgastada o dañada, no use el producto y reemplácelo inmediatamente. Siempre reemplace la unidad de lámina de afeitado con Accesorios originales de Philips Norelco.

1 Apague el producto y desconéctelo del tomacorriente.

2 Quite el cabezal de lámina de afeitado desprendiéndolo del cabezal de afeitado (Fig. 20).

Nota: Unidad de lámina de afeitado con cuidado, ya que puede estar dañada.

3 Coloque la nueva unidad de lámina de afeitado en el producto ajustándola en su lugar (Fig. 23). Escuchará un clic.

Este producto no contiene otras piezas que requieran mantenimiento. Para solicitar asistencia, comuníquese al 1-800-243-3050.

## Asistencia

Para asistencia, visite nuestro sitio web:

**[www.philips.com/support](http://www.philips.com/support)** o llame al número gratuito 1-800-243-3050.

La información en línea está disponible las 24 horas, los siete días de la semana.

## Desecho

- Este producto posee una batería recargable de litio-ión que debe desecharse apropiadamente.
- Contacte a sus funcionarios locales o de la ciudad para mayor información acerca del manejo final de la batería. También puede llamar al 1-800-822-8837 o visitar **[www.call2recycle.org](http://www.call2recycle.org)** para las ubicaciones donde se pueden desechar las baterías.
- Para obtener ayuda visite nuestro sitio web **[www.philips.com/support](http://www.philips.com/support)** o llame gratuitamente al número 1-800-243-3050.
- Su producto está diseñado y fabricado con materiales y componentes de alta calidad, que pueden ser reciclados y reusados. Para obtener información sobre reciclado, comuníquese con las oficinas locales de manejo de desechos o visite **[www.recycle.philips.com](http://www.recycle.philips.com)**

## Garantía total de cinco años

Philips North America LLC garantiza este producto nuevo (excepto la lámina, los cortadores y los protectores) contra defectos en los materiales o en la mano de obra por un período de cinco años desde la fecha de compra y acepta reparar o reemplazar cualquier producto defectuoso sin cargo.

**IMPORTANTE:** Esta garantía no cubre ningún daño que surja como resultado de un accidente, de un uso indebido o abuso, de la falta de cuidado razonable, del uso de cualquier accesorio no provisto con el producto ni la pérdida de piezas, así como tampoco ningún daño derivado del uso del

producto con una tensión o con baterías que no sean las establecidas.\*

**NINGUNA RESPONSABILIDAD ES ASUMIDA POR CUALQUIER DAÑO, INCIDENTAL O RESULTANTE.**

Para obtener el servicio de garantía, simplemente vaya a

**[www.philips.com/support](http://www.philips.com/support)** para obtener asistencia. Para su protección, se sugiere que el envío de las devoluciones del producto se realice por correo certificado, con seguro prepago. Cualquier daño que ocurra durante el envío no será cubierto por esta garantía.

NOTA: Philips North America LLC. no extiende ninguna otra garantía, ni escrita ni oral.

Esta garantía le proporciona derechos legales específicos; asimismo, es posible que goce de otros derechos que pueden variar de estado a estado. En algunos estados no se permite la exclusión o la limitación de los daños fortuitos o resultantes, de modo que es posible que las limitaciones o exclusiones arriba mencionadas no se apliquen a su caso.

\*Lea las instrucciones adjuntas atentamente.

**GARANTÍA DE DEVOLUCIÓN DE SU DINERO POR 45 DÍAS**

Si no está completamente satisfecho con su producto, envíelo de regreso y le reembolsaremos el total de la compra.

**El producto debe enviarse por correo certificado pago, con seguro prepago, junto con el recibo original de compra, donde se indique el precio y la fecha de compra, así como el formulario de autorización para la garantía de devolución de dinero.**

**No asumimos ninguna responsabilidad por los paquetes perdidos.**

El paquete del producto debe contar con matasellos que no supere los 45 días a partir de la fecha de compra. Philips se reserva el derecho a verificar el precio de compra del producto y limita los reembolsos al precio de venta minorista sugerido.

**Para obtener el formulario de autorización para la garantía de devolución del dinero, llame al 1-800-243-3050 para obtener asistencia.**

**La entrega del cheque de reembolso ocurrirá de 6 a 8 semanas después de la recepción del producto devuelto.**