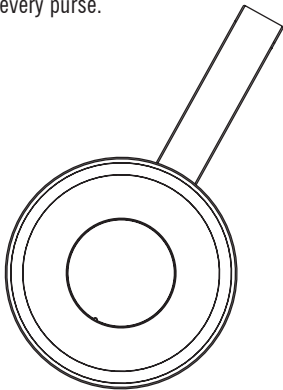


Users guide

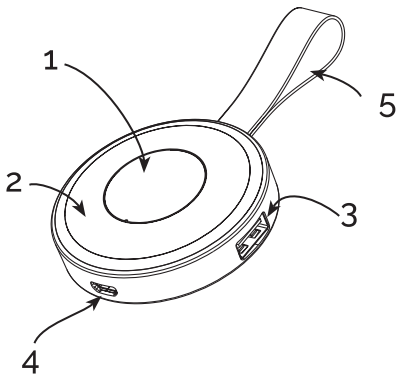
SOL.+

Automatic handbag light
+ integrated power bank.

A plus for every purse.



Description



- ① Touch sensor area
- ② Lighting area
- ③ USB Output (to Smartphone)
- ④ Micro USB Input (from USB power supply)
- ⑤ Handle loop

Specifications

Product name: SOI.+

The handbag light + USB power bank

On time for lighting - 10 s.

Total glow time - 5 h

Capacity: 500 mAh

Input: 5V/1A

Output: 5V/1A

Battery type; Li-ion polymer battery

Capacity: 500 mAh

size: 60 x 60 x 18,5 mm

Intelligent Touch Sensor

SOI.+ lights up automatically with approaching and touching the sensor area.



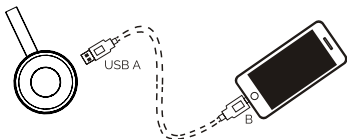
SOI.+ is a very helpful gadget

- finding stuff in the bag
 - an easy to use light source in the dark
 - Mini portabel automatic orientation night lamp
- + Emergency USB power bank - allows to recharge your mobile for approx. 0.5 to 1 h talk time.

To charge a mobile phone

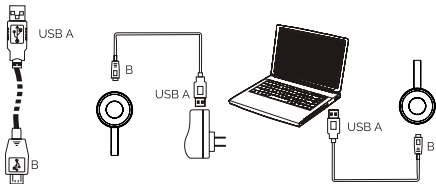
Connect USB cable with USB (standard size) Out port of SOI.+ and connect with your mobile phone.

The power bank function stops below 5 % capacity of battery, light function still active.



To charge SOI.+

Connect micro USB charging cable (comes with SOI.+) with micro USB port and connect with computer or AC adapter.



Compatible with

Tablets, smartphones, music player, cameras...
for any USB device with max. 1A charging current.



CAMERA



GPS



CONNECTED BAND/WATCH



MP3/MP4



MOBILE PHONE



TABLET

Note

The SOI.+ power bank has an embedded non-replaceable battery, do not attempt to open the power bank or remove battery as this may cause injury to person and damage the power bank.

Caution

- No user replaceable battery inside. Risk of explosion in case of unauthorized opening.
- The battery should not be exposed to excessive heat or sunshine.
- The device should not be exposed to liquids.

Please contact the local recycling facility for removal of the battery. The embedded, non-replaceable battery is designed to last for the lifetime of SOI.+ Never dispose SOI.+ with the general waste, as it contains a Li-ion Battery. Please return it into battery recycling collection point.



BRAINSTREAM GmbH

Dalbker Str. 74

33813 Oerlinghausen / Germany

www.handtaschenlicht.com

sales@brainstream.de

