

Adjustable Base setup guide

■ 300/600 ■ K/CK Sectional Base

STEP 1

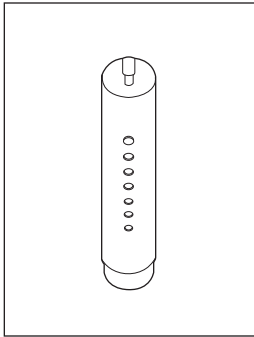
Remove top of shipping carton. Verify contents; inspect for damage.

READ ALL INSTRUCTIONS BEFORE USING.

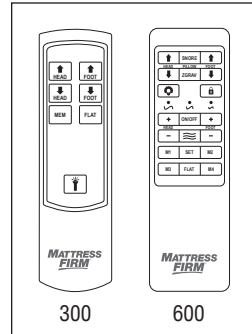


WARNING

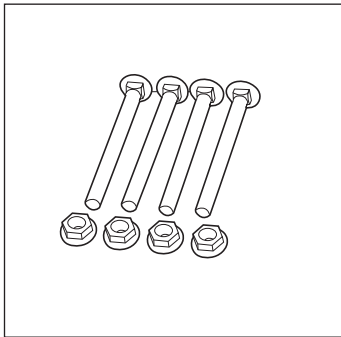
DUE TO RISK OF INJURY, TWO ADULTS ARE
REQUIRED TO HANDLE AND MOVE ADJUSTABLE
BASE.



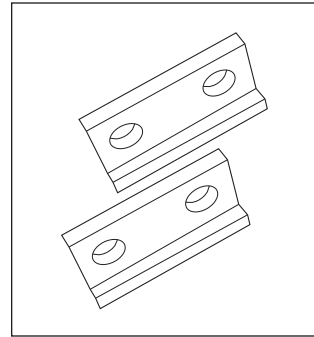
x6 - Pin-adjustable
Legs



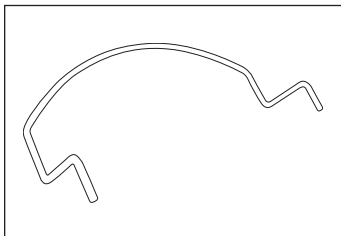
x1 - Remote
Control (varies
according to
base type)



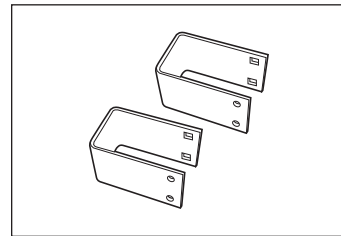
x4 - 3-Inch
Carriage Bolts
and Nuts



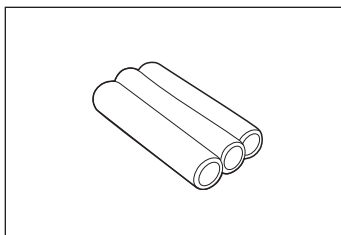
x2 - T-Spacers



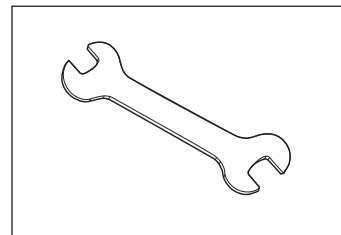
x1 - Mattress
Retainer



x2 - Center
Support
Brackets



x3 - AAA
Batteries




x1 - WRENCH

SETUP

STEP 2

Cut zip-tie from electrical power supply. Cut (2) zip-ties and remove mattress retainer (set aside) (FIGURE 1).

 **CAUTION**
BE CAREFUL USING SHARP INSTRUMENTS. INJURY IS POSSIBLE IF TOOLS ARE NOT USED PROPERLY.

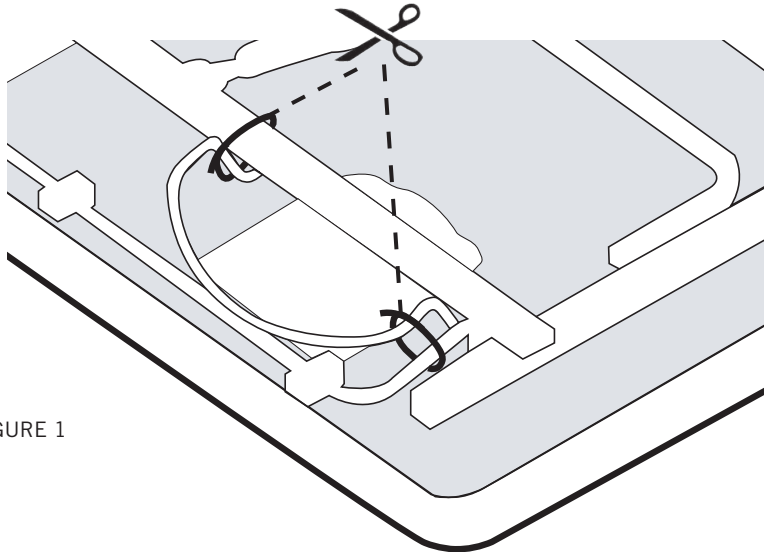



FIGURE 1

 **WARNING**
PINCH POINT WARNING!
KEEP HANDS AND FINGERS CLEAR WHEN SLIDING BASES TOGETHER.

STEP 3

Carefully lift base head section out of shipping carton and place on clean surface (FIGURE 2).

Remove the divider from shipping carton.

Carefully lift base foot section out of shipping carton and place adjacent to head section (FIGURE 2).

Slide head and foot sections together making sure to align mounting holes (center of base sections) (FIGURE 2).

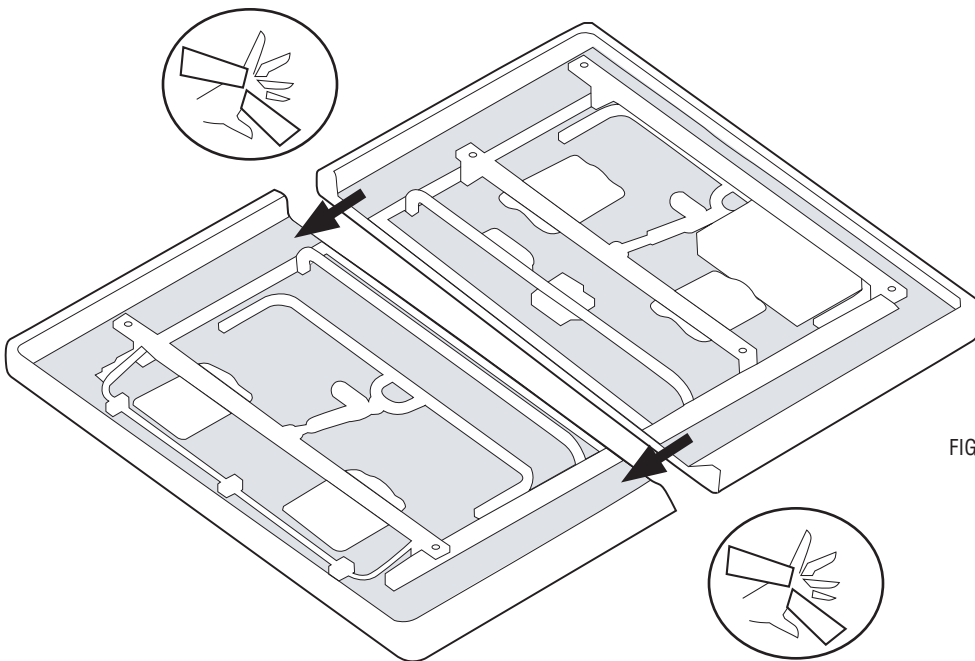


FIGURE 2

SETUP

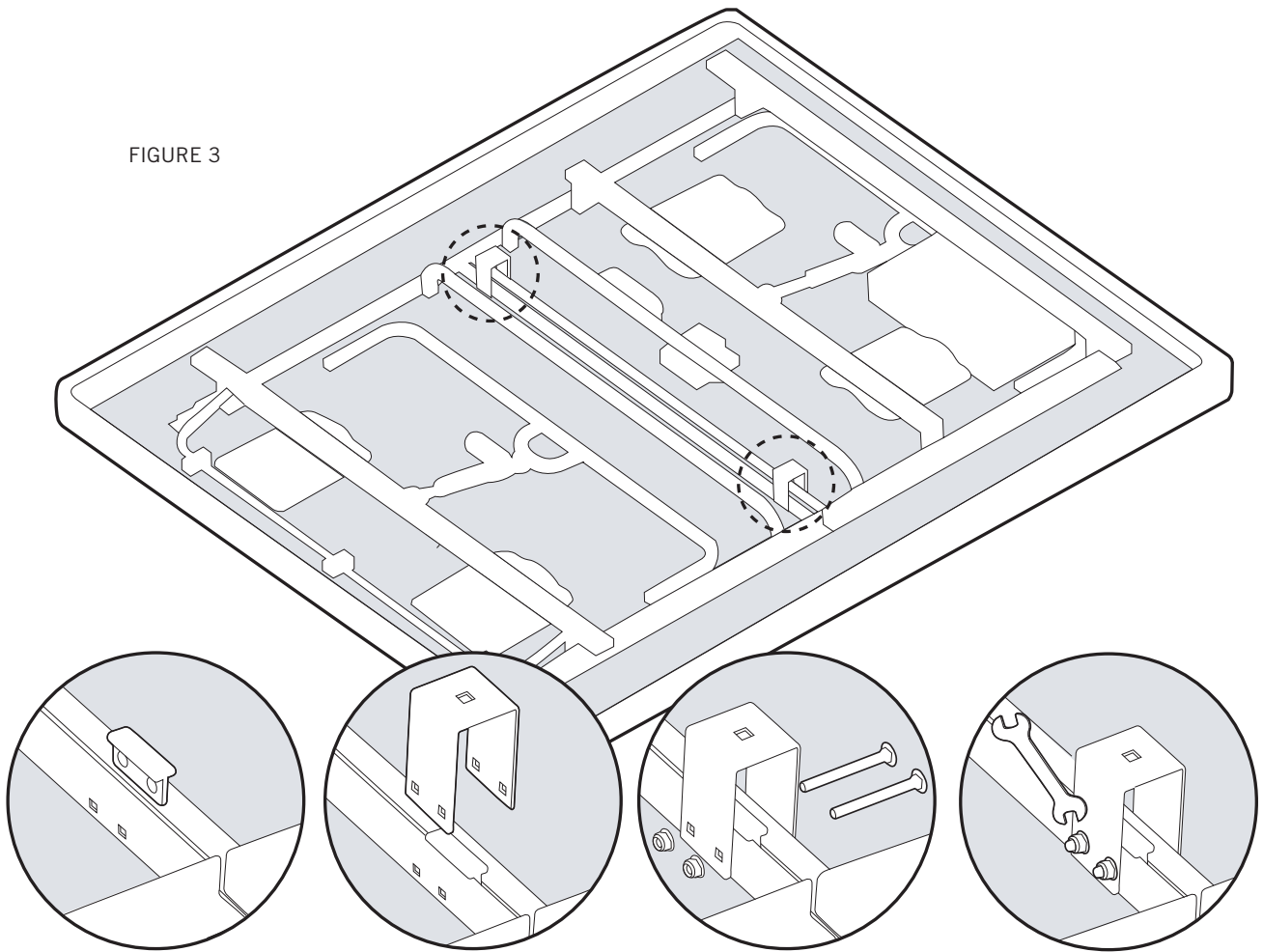
STEP 4

Place a T-Spacer in between the mounting points (each side of base). Line up the holes in the T-Spacers with the holes in the mounting points (FIGURE 3).

Place a center support bracket over the mounting points on each side of base. Insert carriage bolts through the square holes in the center support bracket. Install nuts on carriage bolts (FIGURE 3). **HAND TIGHTEN.**

After all hardware is installed, tighten all nuts using provided wrench.

FIGURE 3



STEP 5

Route FOOT MOTOR CABLE underneath base frame and connect to HEAD MOTOR CABLE (FIGURE 4).

600 MODEL ONLY - Route FOOT MASSAGE MOTOR CABLE underneath base frame and plug into control box (FIGURE 4).

Extend electrical power cord out head end of base.

 **WARNING**
POWER CORDS MUST NOT INTERFERE WITH ANY
ADJUSTABLE BASE MECHANISMS.

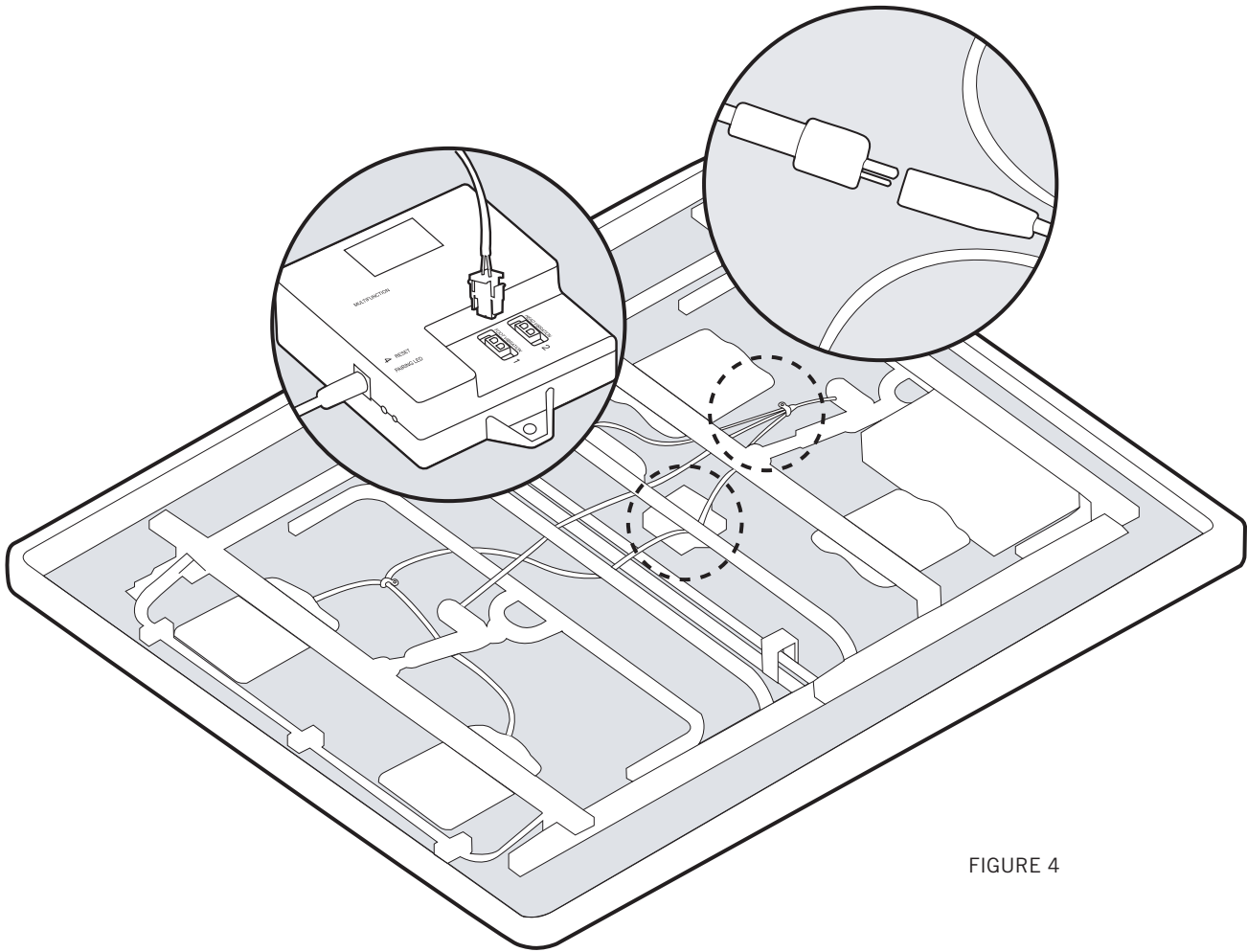


FIGURE 4

STEP 6

Screw (4) legs into the threaded inserts at the corners of the base frame (FIGURE 5).

Screw (2) legs into the threaded inserts of the center support brackets (FIGURE 5).

Push pin in to adjust leg height (6 inches to 10 inches).

Note: When adjusting legs, make sure base sets level on floor.

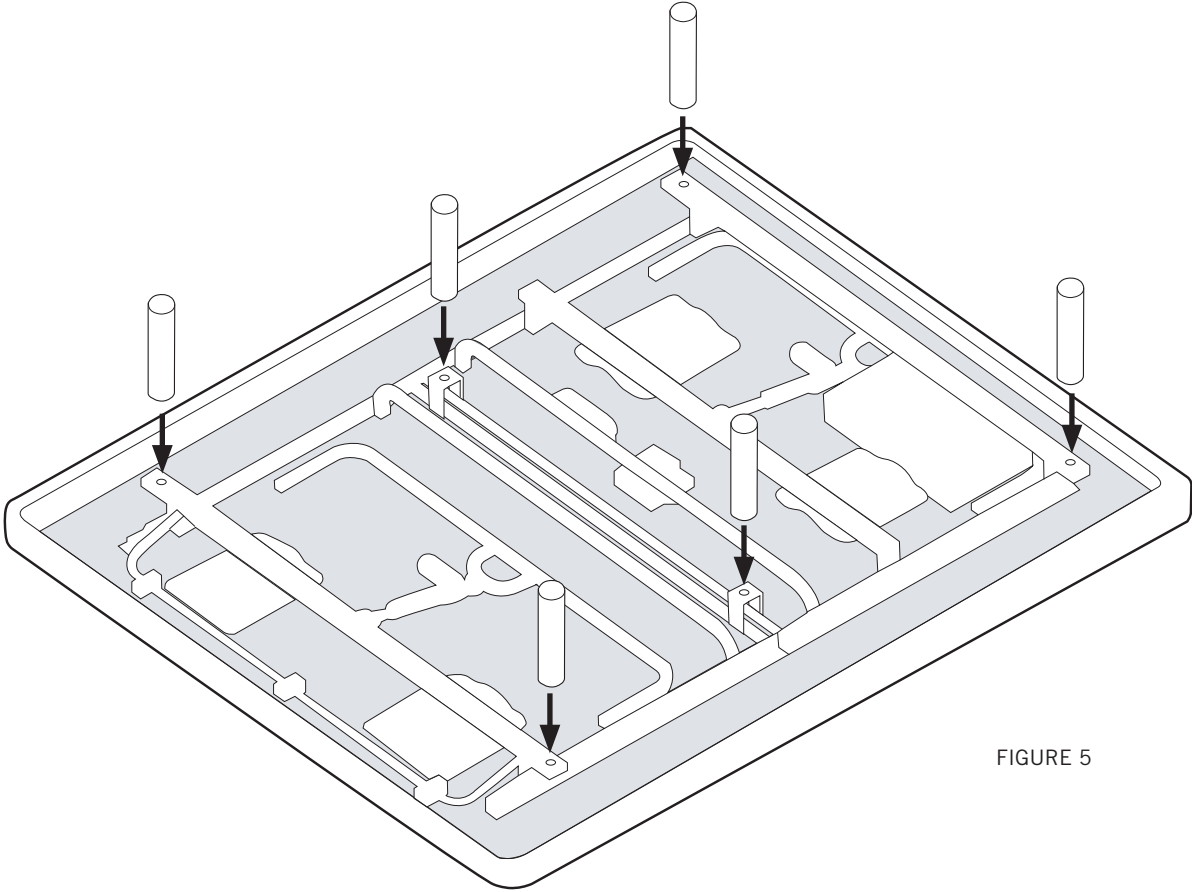



FIGURE 5

STEP 7

Rotate base over onto its legs.

Remove remaining packaging.

 **WARNING**
DUE TO RISK OF INJURY, TWO ADULTS ARE
REQUIRED TO HANDLE AND MOVE ADJUSTABLE
BASE.

SETUP

STEP 8

Install (3) batteries in remote control.

Plug power cord into power outlet. Note: An electrical surge protection device is recommended (not included).

Operate remote control to test base functions (FIGURE 6) (see separate Syncing Guide).

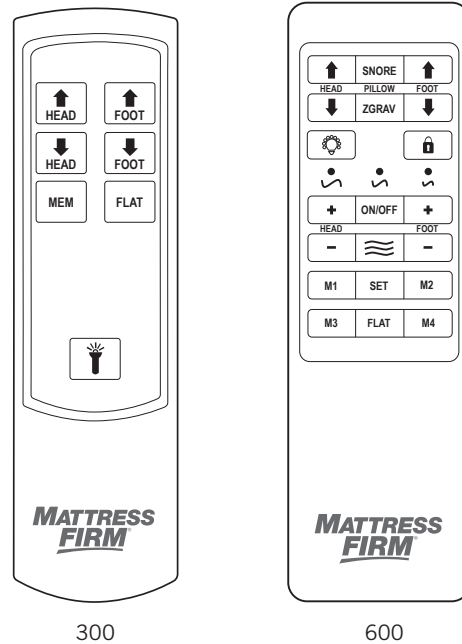


FIGURE 6

STEP 9

Lower base to flat position.

STEP 10

Install the mattress retainer at the foot end of the base.

Place one end of the mattress retainer into the outside hole of the left insert and place the other end into the outside hole of right insert (FIGURE 7).

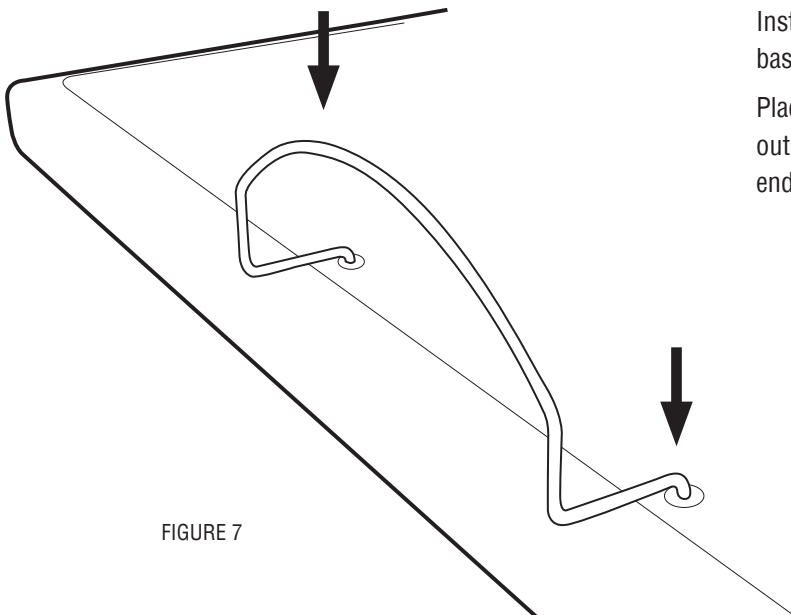


FIGURE 7

SETUP

STEP 11

Place mattress on base to complete assembly.

Note: If adjustable base will not operate, refer to the Troubleshooting section of the owner's manual. To download a copy of the owner's manual, visit <https://lpadjustablebeds.com/om/mattressfirm> or call Mattress Firm at 844-628-8376.

To register your adjustable base, please go to <https://lpadjustablebeds.com/register> or call Mattress Firm at 844-628-8376.

MATTRESSFIRM