

ION[®]

TAILGATER SMART

Quickstart Guide	English (3 – 12)
Guía de inicio rápido	Español (13 – 22)
Guide d'utilisation rapide	Français (23 – 32)
Appendix	English (34)

Quickstart Guide (English)

Introduction

Thank you for purchasing the Tailgater Smart. At ION, your entertainment is as important to us as it is to you. That's why we design our products with one thing in mind—to make your life more fun and more convenient.

Box Contents

Tailgater Smart
 Remote Control
 Microphone with Cable
 Power/Charging Cable
 1/8" (3.5 mm) Stereo Aux Cable
 USB-A to Micro-USB Cable
 (2) Form-Fitted Rubber Inserts for Amazon Echo devices
 Quickstart Guide
 Safety & Warranty Manual

Support

For the latest information about this product (documentation, technical specifications, system requirements, compatibility information, etc.) and product registration, visit ionaudio.com.

For additional product support, visit ionaudio.com/support.

Rechargeable Batteries

Note: Before you first use the product, please fully charge the battery. Your unit was purposely shipped with a reduced battery charge to ensure safe transit.

Use the included power cable to connect the unit to a power outlet and let it charge. This helps ensure the longest life for your battery.

Rechargeable lead-acid batteries are the same type used in automobiles. As with your car battery, how you use this battery has a significant impact on its lifespan. With proper use and treatment, a lead-acid battery can last for years. Here are some recommendations for getting the longest life from the internal battery.

General Usage	Fully charge the battery before using the speaker. Charge the battery completely after each use.
Storage	For best product longevity, do not store at exceedingly hot (greater than 90 °F / 32 °C) or exceedingly cold (less than 32 °F / 0 °C) temperatures. It is acceptable to leave your speaker plugged in. This will not overcharge the battery. If you leave the battery level low and do not charge it for 3 months, it may permanently lose capacity.
Repair	If the battery fails to charge, contact ION Audio at ionaudio.com .
Disposal	Bring the unit to a recycling center or dispose of it in accordance with local ordinances.

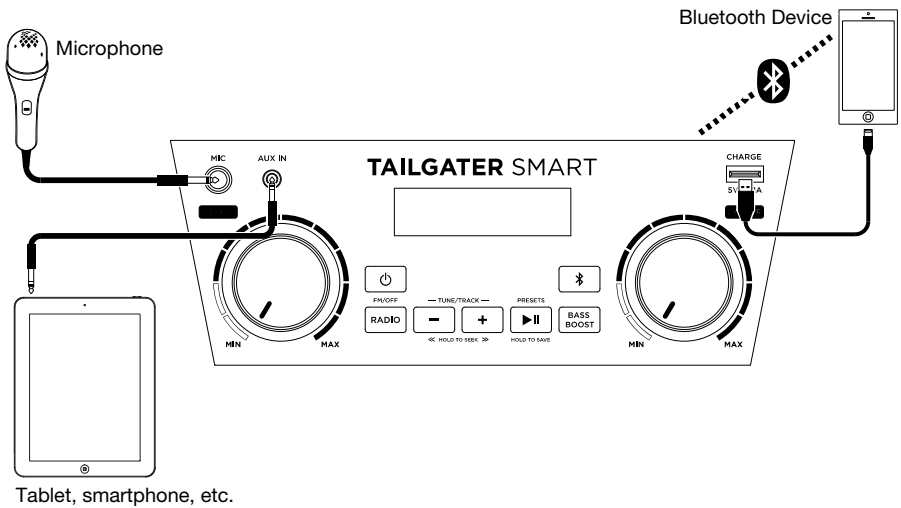
Setup

1. Make sure all items listed in the **Box Contents** are included in the box.
2. Read the *Safety & Warranty Manual* before using the product.
3. Make sure the battery is completely charged prior to first use for maximum battery life.
4. Study the **Connection Diagrams**.
5. Ensure the **Master Volume** on Tailgater Smart is at the minimum level.
6. Connect your devices.
7. Power on Tailgater Smart. Begin playing music from a connected device and raise the **Master Volume** on Tailgater Smart to a comfortable level.
8. When you are finished using Tailgater Smart, return the **Master Volume** to the minimum level and then power off the unit.

Connection Diagrams

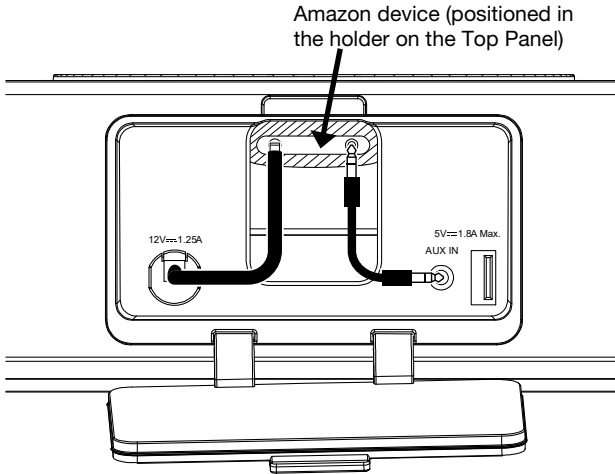
Items not listed under the **Box Contents** are sold separately.

Front Panel



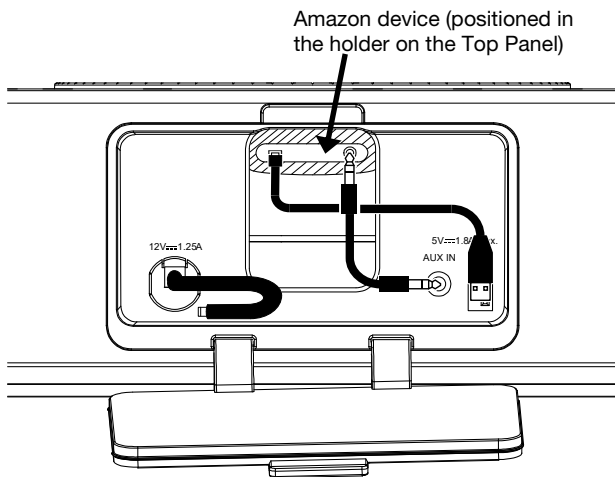
Rear Panel Recess (Example 1)

When connecting a 3rd generation Amazon Echo Dot, use the DC power cable attached to the Rear Panel Recess for charging the unit. If you are not paired via Bluetooth, use the included 1/8" (3.5 mm) aux cable to transmit audio. See the [Features](#) section for more information.

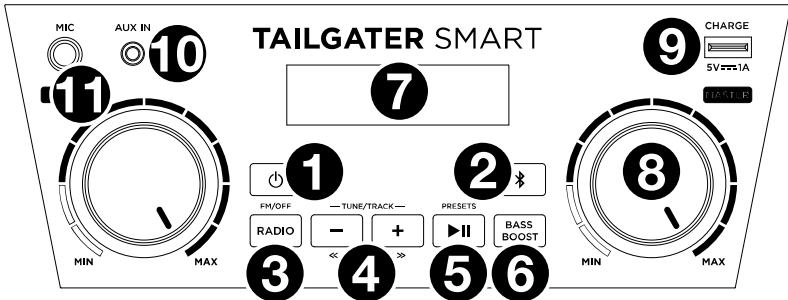


Rear Panel Recess (Example 2)

When connecting a 1st/2nd generation Amazon Echo Dot or an Amazon Echo Input, use the included USB cable for charging the unit. If you are not paired via Bluetooth, use the included 1/8" (3.5 mm) aux cable to transmit audio. See the [Features](#) section for more information.



Front Panel

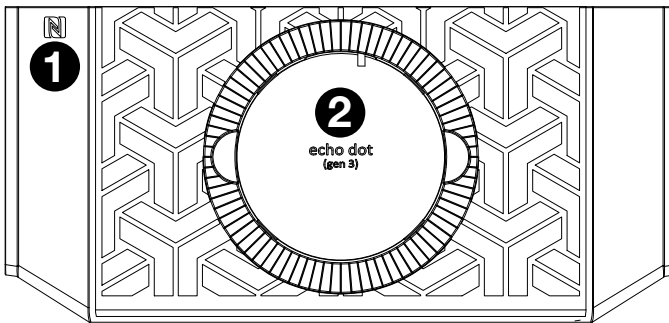


1. **Power Button:** Press and hold this button for one second to power Tailgater Smart on or off. After powering on, Tailgater Smart will automatically enter pairing mode and search for a Bluetooth device within range.
2. **Bluetooth Button:** Press this button to make Tailgater Smart unpair from a connected Bluetooth device and automatically search for another Bluetooth device to pair with.
3. **Radio (FM/Off):** Press this button to toggle the FM radio on and off.
4. **Tune/Track Buttons:** Tap these buttons to tune in to a radio station or go to the previous/next track on a Bluetooth-connected device. To “seek” (skip to the next radio station with a clear signal), hold either button down for a few seconds. The unit will remember the last station it was on and start at that station when powered off and on again.

Note: With some apps on Bluetooth-connected devices, pressing these buttons may go to another playlist or music genre instead of another track.
5. **Play/Pause/Presets:** If paired with a Bluetooth device, press to play or pause a track from the connected device. If listening to the radio, press this button to cycle through the preset stations or press and hold this button to save the currently selected station as a preset. See [Using the Radio](#) for more details on saving and recalling presets.
6. **Bass Boost:** Press this button to enhance the overall bass frequency response.
7. **Display:** This screen shows information relevant to Tailgater Smart’s current operation:
 - **Battery Indicator:** When the power cable is connected, movement of the battery segments shows the battery is charging. When fully charged, all battery segments will be lit without blinking. When the power cable is disconnected, the battery segment shows the level of the battery. If a front panel button is not pressed within 60 seconds, the battery level indicator will turn off (to save energy). The battery level indicator will reappear when any button is pressed. Also, when the battery gets to the lowest battery icon segment, the battery level indicator will turn back on.
 - **Power Icon:** The power icon will be lit when Tailgater Smart is powered on.
 - **Lightning Bolt Icon:** The lightning bolt icon will illuminate when the power cable is connected to wall power.
 - **Bluetooth Icon:** The Bluetooth icon will be lit when a device is paired to Tailgater Smart.
 - **Bass Boost Indicator:** The Bass Boost indicator will be on when the Bass Boost function is activated.
 - **FM Indicator:** When listening to the radio, this indicator will appear next to the current station number on the right.

8. **Master Volume Control:** This adjusts the speaker's main mix volume, which includes the Microphone Input, Auxiliary Input, Radio, and the audio of a paired Bluetooth device.
9. **USB Charging Port:** Connect a device's charge-cable here to charge it. USB charging only functions when the unit's power is turned on.
Note: To charge smartphones and tablets faster, put the smartphone or tablet's screen to sleep.
10. **Auxiliary Input (1/8"):** This stereo 1/8" (3.5 mm) input can be used to connect a CD player, MP3 player, or other audio source.
11. **Microphone Input with Volume Control (1/4"):** Connect a 1/4" (6.35 mm) microphone to this input.

Top Panel



1. **NFC (near-field communication):** Touch and briefly hold an NFC-enabled audio device to the NFC logo here in order to pair the device with Tailgater Smart. See [Pairing to a Device Using NFC](#) for more information.
2. **Amazon Echo Holder:** Keep your Amazon Echo here while listening to it through the Tailgater Smart speaker.

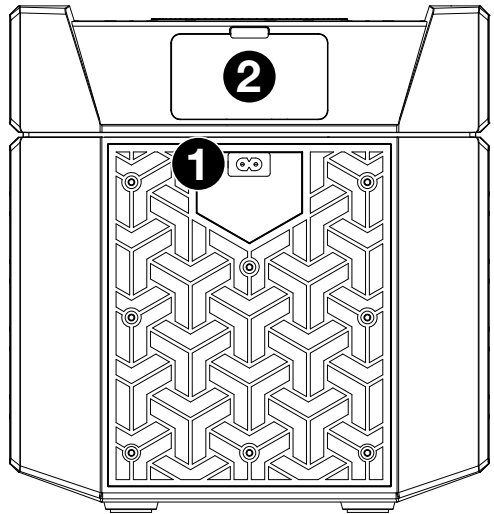
The holder is designed to fit the 3rd generation Amazon Echo. If you would like to listen to a 1st/2nd generation Amazon Echo Dot or to an Amazon Echo Input, use the corresponding rubber insert (included). You will know which of the two included inserts is correct because it will match the size of your Amazon device (one is designed for the 1st/2nd generation Amazon Echo Dot, while the other is designed for the Amazon Echo Input). Place the insert into the holder, and then place your Amazon Echo into the insert.

Make sure to position your Amazon Echo in the holder such that the Echo's ports are facing the window to Tailgater Smart's Rear Panel Recess. This way, you can connect wires from Tailgater Smart to your Amazon Echo through this window (for a neater setup). See [Connection Diagram](#) for an example.

Note: Alexa may not be able to hear voice commands while playing music through the Tailgater Smart speaker. To avoid this issue, press and hold the **Mute button** on the remote control while giving a command to Alexa. Be aware that muting the speaker will silence not just the music but also Alexa's voice reply to your command. In order to hear Alexa's reply, make sure to unmute Tailgater Smart by letting go of the **Mute button** shortly after you give your voice command.

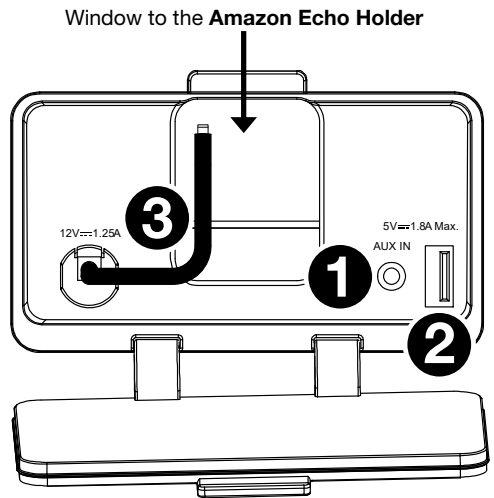
Rear Panel

1. **Power Cable Input** (rear panel): Insert the included power cable here to charge the unit. The Lightning Bolt Icon will illuminate on the **Display** if the power cable is connected. When Tailgater Smart is connected to a power source, it does not need to be powered on to charge the battery. If it is powered on and in use while connected to a power source, the battery will still charge.
2. **Rear Panel Recess Door:** Pull the tab at the top of this door toward you in order to access the Rear Panel Recess, which contains the hook-ups for an Amazon Echo device. When finished connecting your Amazon Echo, you can push this door closed to hide the wires.



Rear Panel Recess

1. **Aux Input:** If your Amazon Echo is not connected to Tailgater Smart via Bluetooth, use the included 1/8" (3.5 mm) aux cable to connect your Amazon Echo's auxiliary output to this input. This connection will send the audio signal from your Amazon Echo to the Tailgater Smart speaker.
2. **USB Port:** If you are using a 1st/2nd generation Amazon Echo Dot or an Amazon Echo Input, connect the included USB cable from this port to the device in order to power it. Connect the USB-A end of the cable to the device and the micro-USB end of the cable to your Amazon Echo.
3. **DC Cable:** If you are using a 3rd generation Amazon Echo Dot, connect this cable to the device in order to power it.

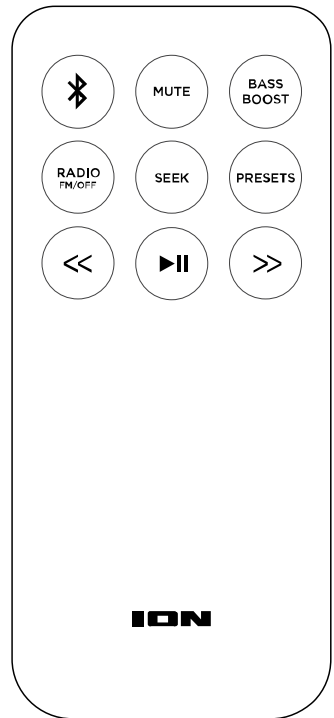


Note: Do not use the **DC Cable** and **USB Port** in the rear panel recess at the same time.

Note: For the best setup, connect cables from the Rear Panel Recess to your Amazon Echo through the window in the Rear Panel Recess (instead of making the connections over the top panel of the unit). After making the necessary connections, you should be able to close the **Rear Panel Recess Door** and hide the wires.

Remote Control

- **Bluetooth**: Press this button to make Tailgater Smart unpair from a connected Bluetooth device and automatically search for another Bluetooth device to pair with.
- **Mute**: Press and hold this button to mute all audio output from the Tailgater Smart speaker. The **Display** screen will flash to indicate that the audio is muted. Release the button to unmute the audio output. This feature could be useful when giving a voice command to Alexa, since a connected Amazon device may not be able to hear voice commands while playing music through the speaker.
- **Bass Boost**: Press this button to enhance the overall bass frequency response.
- **Radio (FM/Off)**: Press this button to toggle the FM radio on and off.
- **Seek**: Press this button to skip to the next radio station with a clear signal.
- **Presets**: Press and hold this button to save the currently selected radio station as a preset. See [Using the Radio](#) to learn more.
- **<< (Previous)**: Press this button to go to the previous radio station or to the previous track/playlist/genre on your Bluetooth device.
- **▶|| (Play/Pause)**: When using a Bluetooth device, this button plays or pauses audio. When listening to the radio, this button cycles through your preset radio stations.
- **>> (Next)**: Press this button to go to the next radio station or to the next track/playlist/genre on your Bluetooth device.



Operation**Pairing to a Bluetooth Device****To pair to a Bluetooth device (such as your Amazon Echo):**

1. Turn on your Bluetooth device and power on Tailgater Smart, which will automatically begin the pairing process. You will know Tailgater Smart is searching for Bluetooth devices if the Bluetooth icon is not yet illuminated on the **Display** screen.
2. Navigate to the Bluetooth device's setup screen.* Then find and select **Tailgater Smart**. The Bluetooth icon will illuminate on Tailgater Smart's **Display** once your Bluetooth device is successfully paired.

Note: If your Bluetooth device prompts for a pairing code, enter "0000".

Note: If you have previously paired to the Bluetooth device, you may be able to skip Step 2 and simply wait for it to connect with Tailgater Smart after powering on.

*The setup screen for your Amazon Echo can be found in the Alexa app. After opening the app, go to **Settings**. Select your Echo from the list of Amazon devices and then select **Bluetooth** to see a list of speakers available for pairing.

To disconnect the paired Bluetooth device, press the **Bluetooth button** on the unit or remote control.

To pair with a different Bluetooth device, repeat step 2 after disconnecting from the first device. During the pairing process, it may help to move the first device out of range or to disable its Bluetooth capacity.

Note: Maximum range will be achieved when using devices with Bluetooth 4.0.

Note: Users should consider updating their Bluetooth device's operating system if experiencing trouble with pairing or playing music.

Tip: If you would like to disable (or enable) the voice prompts, press and hold the **Bluetooth button** on the unit or remote control.

Pairing to a Device Using NFC

With NFC (near-field communication), you can initiate wireless data transmission from an audio device to your Tailgater Smart speaker (i.e. pairing) by gently bumping the device into the speaker. Check your device's manual to see if it supports NFC.

To use NFC to pair with Tailgater Smart:

1. Your device must be turned on and unlocked.
2. Enter your device's **Settings** menu and check that **NFC** is turned **On** (one-time step).
3. Power on Tailgater Smart.
4. Touch and briefly hold your device to the NFC logo located on Tailgater Smart's top panel.
5. Follow the pairing instructions that appear on your phone. If a passcode is required, enter "**0000**".
6. To unpair, gently bump your device against the NFC logo.

Using the Radio

Selecting a Radio Station:

1. Press the **Radio button** on the unit or remote control to turn on the radio.
2. Tune in to a radio station using the **Tune/Track (-/+) buttons** on the unit or the **<< / >> buttons** on the remote control. To "seek" (skip to the next station with a clear signal), press and hold one of the **Tune/Track (-/+) buttons** on the unit or press the **Seek button** on the remote control.

Saving a preset:

1. Tune in to the radio station that you want to save as a preset.
2. Press and hold the **Play/Pause/Presets button** on the unit or the **Presets button** on the remote control for two seconds. A preset number will appear on the **Display**.
3. Use the **Tune/Track buttons** on the unit or the **<< / >> buttons** on the remote control to adjust which preset number you want to save to. The number will update on the **Display**.
4. Press **Play/Pause/Presets** on the unit or **Presets** on the remote control to confirm. "**SAV**" will appear on the **Display**.

Selecting a preset station:

While the radio is on, press the **Play/Pause/Presets button** on the unit or the **Play/Pause button** on the remote control to cycle through the saved presets.

Troubleshooting

If the unit is not charging: Make sure the power cable is properly connected to the power input and the power outlet.

If the sound is distorted: Try lowering the volume control of your sound source, musical instrument, or microphone. Also, try to reduce the overall volume of Tailgater Smart using the Master Volume knob.

If there is too much bass: Try adjusting the tone or EQ control on your sound source to lower the bass level. This will allow you to play the music louder before clipping (distortion) occurs.

If there is a high-pitched whistling noise when using microphones: This is probably feedback. Point the microphone away from the speaker.

If you can't hear the microphone over the music volume: Turn down the music volume from your source.

If you can't play music from a flash drive: The USB port is only for charging USB devices.

If Alexa is not recognizing voice commands while your Amazon device is connected to Tailgater Smart: Mute any audio coming out of Tailgater Smart by pressing and holding the **Mute button** on the remote control while giving Alexa a voice command. In order to hear Alexa's voice reply to your command, release the **Mute button** to unmute the speaker shortly after you give the command. You will know the speaker is muted if the **Display** is flashing.

If you cannot connect your audio device to Tailgater Smart via Bluetooth:

- Have your audio device (e.g., smartphone or tablet) and Tailgater Smart as close together as possible while trying to connect. Make sure both the audio device and Tailgater Smart are unobstructed by walls, furniture, etc.
- Reset the Bluetooth connection on Tailgater Smart by disconnecting Tailgater Smart from any other audio device and restarting the search process. If this does not work right away, power off Tailgater Smart and then power it back on.
- Reset the Bluetooth connection on your audio device by turning Bluetooth off and back on. You can find this under the Bluetooth menu in the Settings for your phone or other audio device.

If this does not work, and you have connected to Tailgater Smart before, find Tailgater Smart in the list of available or previously connected devices in your audio device's Bluetooth menu, tap the "gear" or "i" icon located next to it and then select **Unpair** or **Forget**. Turn Tailgater Smart off and back on and try pairing again once it reappears in your available devices list.

Note: If Tailgater Smart has been paired to another audio device recently that is still within range, you may need to repeat this process with that audio device to fully disconnect.

Guía de inicio rápido (Español)

Introducción

Gracias por comprar el Tailgater Smart. En ION, su entretenimiento es tan importante para nosotros como para usted. Por eso es que diseñamos nuestros productos con una sola cosa en mente—hacer que su vida sea más divertida y cómoda.

Contenido de la caja

Tailgater Smart
 Control remoto
 Micrófono y cable
 Cable de alimentación / carga
 Cable auxiliar estéreo de 3,5 mm (1/8 pulg.)
 Cable USB-A a micro USB
 (2) Insertos de goma con la forma de los dispositivos Amazon Echo
 Guía de inicio rápido
 Manual sobre la seguridad y garantía

Soporte

Para obtener la información más reciente acerca de este producto (documentación, especificaciones técnicas, requisitos de sistema, información de compatibilidad, etc.) y registrarlo, visite ionaudio.com.

Para obtener soporte adicional del producto, visite ionaudio.com/support.

Baterías recargables

Nota: Antes de utilizar por primera vez el producto, cargue completamente la batería. Su unidad se despachó intencionalmente con una carga reducida de la batería por razones de seguridad en el tránsito.

Utilice el cable de alimentación incluido para conectar la unidad a una toma de corriente y permita que la unidad se cargue. Esto contribuye a asegurar la vida útil más larga de su batería.

Las baterías de plomo-ácido recargables son del mismo tipo que se usa en los automóviles. Al igual que con la batería del vehículo, la forma en que se usa tiene una influencia significativa en la duración de su vida útil. Con un uso y tratamiento correctos, una batería de plomo-ácido puede durar varios años. He aquí algunas recomendaciones para prolongar la vida útil de la batería interna.

Uso general	Cargue completamente la batería antes de utilizando el altavoz. Cargue la batería completamente después de cada uso.
Almacenamiento	Para lograr la mayor longevidad del producto, no lo almacene a temperaturas muy altas (superiores 32 °C / 90 °F) o muy frías (inferiores a 0 °C / 32 °F). Es aceptable dejar su altavoz enchufado. No sobrecargará la batería. Si deja que el nivel de la batería baje y no la carga durante 3 meses, puede perder permanentemente su capacidad.
Reparación	Si la batería no se carga, póngase en contacto con ION Audio en ionaudio.com .
Disposición final	Lleve la unidad a un centro de reciclaje o deséchela de acuerdo a las ordenanzas locales.

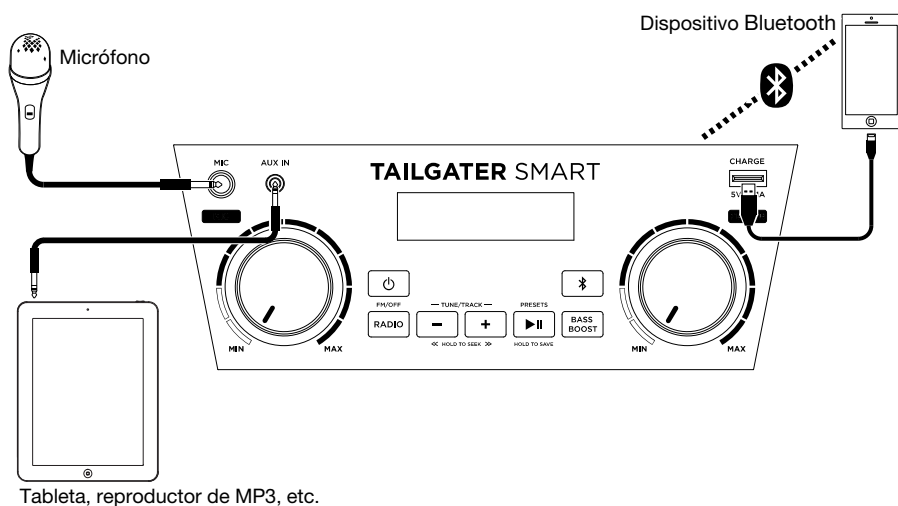
Instalación

1. Asegúrese de que todos los artículos indicados en **Contenido de la caja** estén incluidos en ella.
2. Lea el *manual sobre la seguridad y la garantía* antes de utilizar el producto.
3. Para asegurar una máxima vida útil de la batería, asegúrese de que esté completamente cargada antes de utilizarla por primera vez.
4. Estudie el **Diagramas de conexión**.
5. Asegúrese de que el **volumen maestro** del Tailgater Smart se encuentre al nivel mínimo.
6. Conecte sus dispositivos.
7. Encienda el Tailgater Smart. Comience a reproducir música desde un dispositivo conectado y suba el **volumen maestro** del Tailgater Smart hasta un nivel que le sea cómodo.
8. Una vez que haya terminado de usar el Tailgater Smart, regrese el **volumen maestro** al nivel mínimo y luego apague la unidad.

Diagramas de conexión

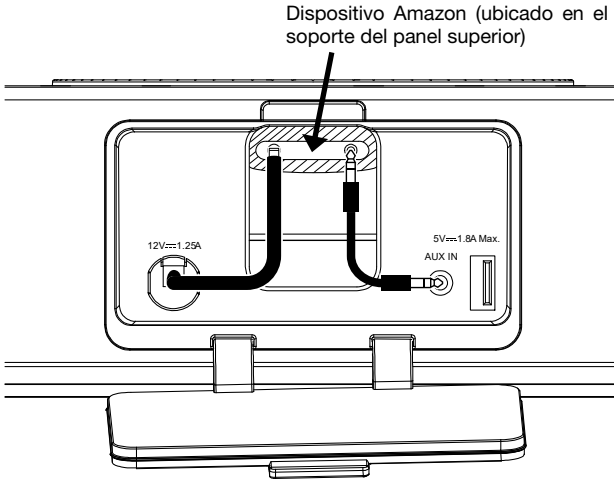
Los elementos que no se enumeran en **Introducción > Contenido de la caja** se venden por separado.

Panel frontal



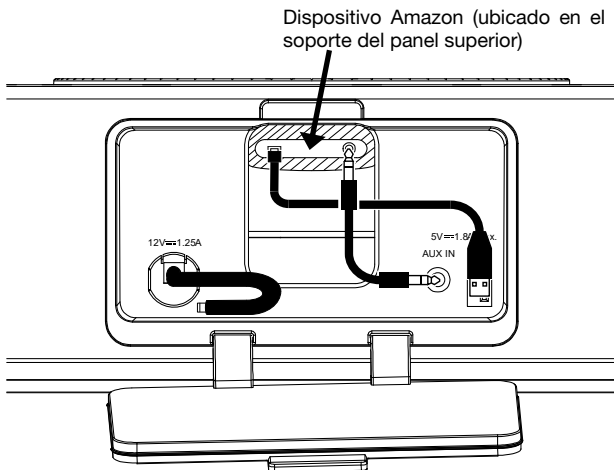
Cavidad del panel trasero (ejemplo 1)

Al conectar un Amazon Echo Dot de 3era generación, utilice el cable de corriente continua (CC) sujeto a la cavidad del panel trasero para cargar la unidad. Si no está apareado mediante Bluetooth, utilice el cable auxiliar de 3,5 mm (1/8 pulg.) incluido para transmitir audio. Consulte la sección [Características](#) para obtener más información.



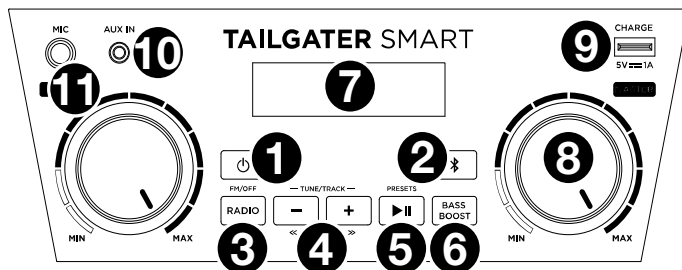
Cavidad del panel trasero (ejemplo 2)

Al conectar un dispositivo Amazon Echo Dot de 1era o 2da generación o un Amazon Echo Input, utilice el cable USB incluido para cargar la unidad. Si no está apareado mediante Bluetooth, utilice el cable auxiliar de 3,5 mm (1/8 pulg.) incluido para transmitir audio. Consulte la sección [Características](#) para obtener más información.



Características

Panel frontal

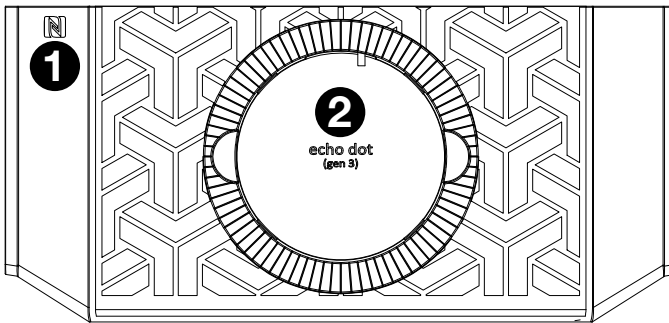


- Interruptor de encendido/apagado:** Mantenga pulsado este botón durante un segundo para encender o apagar el Tailgater Smart. Luego de encenderlo, el Tailgater Smart entrará automáticamente al modo de apareamiento y buscará un dispositivo Bluetooth que esté dentro del alcance.
- Botón de Bluetooth:** Pulse este botón para que el Tailgater Smart se desparee de un dispositivo Bluetooth conectado y busque otro dispositivo Bluetooth con el cual aparearse automáticamente.
- Radio:** Pulse este botón para encender y apagar la radio.
- / + (Botones de sintonizador/pista):** Toque ligeramente estos botones para sintonizar una emisora de radio o pasar a la pista anterior/siguiente de un dispositivo Bluetooth conectado. Para "buscar" (pase a la siguiente emisora con buena señal), mantenga pulsado cualquier botón durante unos segundos. La unidad recuerda la última emisora que estaba sintonizada y comienza en esa emisora cuando la apaga y enciende nuevamente.

Nota: En algunas aplicaciones en dispositivos conectados mediante Bluetooth, al pulsar estos botones es posible que se pase a otra lista de reproducción o género musical en lugar de otra pista.
- Reproducir/Pausa/Presets:** Si se encuentra apareado con un dispositivo Bluetooth, pulse este botón para reproducir una pista o ponerla en pausa en el dispositivo conectado. Si está escuchando radio, pulse este botón para recorrer los presets de estaciones o manténgalo pulsado para guardar la estación actualmente seleccionada como un preset. Consulte la sección **Uso de la radio** para obtener más detalles sobre cómo guardar y recuperar presets.
- Bass Boost:** Pulse este botón para mejorar la respuesta en frecuencia general de los graves.
- Pantalla:** Esta área muestra información relevante para las funciones de Tailgater Smart.
 - Indicador de batería:** Cuando el cable de corriente está conectado, el movimiento de los segmentos de la batería muestra que se está cargando. Una vez completamente cargada, todos los segmentos de la batería estarán encendidos sin parpadear. Cuando se desconecta el cable de corriente, el segmento de la batería muestra en nivel de la misma. Si no se pulsa ningún botón del panel delantero en los siguientes 60 segundos, el indicador de nivel de batería se apagará (para ahorrar energía). El indicador de nivel de la batería volverá a aparecer cuando se pulse algún botón. Además, cuando la batería llegue al segmento más bajo del icono de la batería, el indicador de nivel de la batería volverá a encenderse.
 - Icono de encendido:** El icono de encendido se encenderá cuando el Tailgater Smart se encienda.
 - Icono del relámpago:** El icono del relámpago se encenderá cuando el cable de corriente esté conectado a una toma de corriente de pared.
 - Icono de Bluetooth:** El icono de Bluetooth se enciende cuando hay un dispositivo apareado al Tailgater Smart.
 - Indicador de Bass Boost:** El indicador de Bass Boost se iluminará cuando la función esté activada.
 - Indicador de FM:** cuando escuche la radio, este indicador aparecerá junto al número de la estación actual a la derecha.

8. **Volumen maestro:** Este control ajusta el volumen de la mezcla principal del altavoz, que incluye la entrada de micrófono, la entrada auxiliar, el sintonizador y el audio de un dispositivo Bluetooth apareado.
9. **Puerto de carga USB:** Conecte aquí el cable de carga de su dispositivo para cargarlo. La carga por USB funciona solamente cuando la unidad está encendida.
Nota: Para cargar teléfonos inteligentes (smartphones) y tabletas más rápido, ponga la pantalla del teléfono inteligente o la tableta en estado de reposo.
10. **Entrada auxiliar (1/8 pulg.):** Esta entrada de 3,5 mm (1/8 pulg.) estéreo se puede usar para conectar un reproductor de CD, MP3 u otra fuente de audio.
11. **Entrada para micrófono con control de volumen (1/4 pulg.):** Conecte un micrófono de 6,35 mm (1/4 pulg.) a esta entrada.

Panel superior



1. **NFC (comunicación de campo cercano):** Toque y momentáneamente sostenga un dispositivo de audio compatible con NFC junto al logo de NFC aquí a fin de aparear el dispositivo con el Tailgater Smart. Consulte la sección [Cómo aparear un dispositivo Bluetooth usando NFC](#) para más información.
2. **Soporte para Amazon Echo:** Mantenga su Amazon Echo aquí mientras lo escucha a través del altavoz del Tailgater Smart.

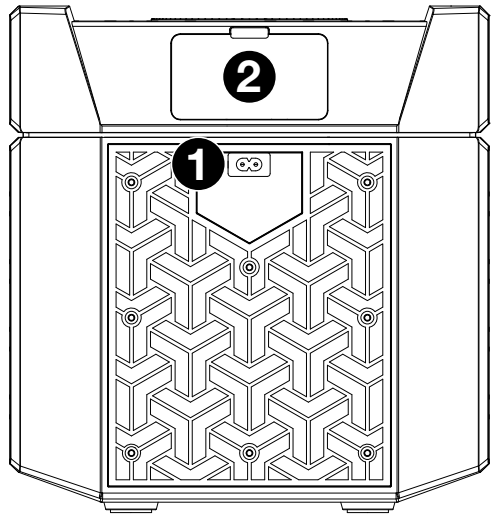
El soporte está diseñado para Amazon Echo de 3era generación. Si desea escuchar un Amazon Echo Dot de 1era o 2da generación o un Amazon Echo Input, utilice el inserto de goma correspondiente (incluido). Sabrá cuál de los dos insertos incluidos es el correcto ya que coincidirá con el tamaño de su dispositivo Amazon (uno está diseñado para el Amazon Echo Dot de 1era/2da generación, mientras que el otro está diseñado para el Amazon Echo Input). Coloque el inserto en el soporte y luego coloque su Amazon Echo en el inserto.

Asegúrese de colocar su Amazon Echo en el soporte de manera que los puertos del Echo queden orientados hacia la ventanilla que da a la cavidad del panel trasero del Tailgater Smart. De esta forma podrá conectar los cables desde el Tailgater Smart a su Amazon Echo a través de esta ventanilla (para una instalación más prolija). Consulte el ejemplo de [Diagramas de conexión](#).

Nota: Es posible que Alexa no sea capaz de escuchar los comandos de voz mientras reproduce música a través del altavoz del Tailgater Smart. Para evitar este problema, mantenga pulsado el **botón Mute** (silenciamiento) que se encuentran en el control remoto mientras darle un comando a Alexa. Tenga en cuenta que al silenciar el altavoz no sólo se silenciará la música sino también la respuesta de voz de Alexa a sus comandos. Para escuchar la respuesta de Alexa, asegúrese de anular el silenciamiento del Tailgater Smart soltando el **botón Mute** al terminar de dar su comando de voz.

Panel trasero

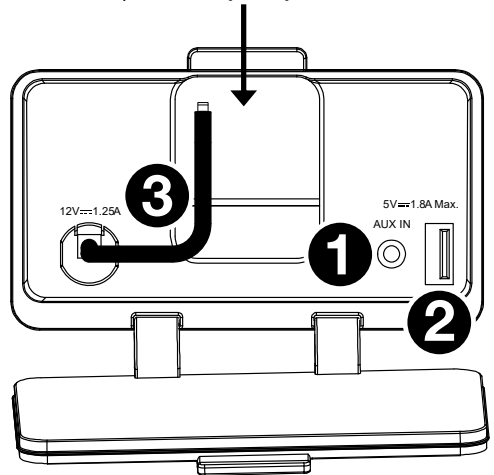
1. **Entrada del cable de corriente:** Inserte aquí el cable de alimentación incluido para cargar la unidad. El **icono del relámpago** se ilumina en la **pantalla** si el cable de corriente está conectado. Siempre que el Tailgater Smart esté conectado a una fuente de energía eléctrica, no es necesario encenderlo para que cargue la batería. Si se encuentra encendido y en uso conectado a una fuente de energía, la batería se cargará de todas formas.
2. **Tapa de la cavidad del panel trasero:** Tire de la lengüeta que se encuentra en la parte superior de esta tapa hacia usted para acceder a la cavidad del panel trasero, la cual contiene conexiones para dispositivos Amazon Echo. Una vez que haya terminado de conectar su Amazon Echo, puede empujar esta etapa para cerrarla y ocultar los cables.



Cavidad del panel trasero

1. **Entrada auxiliar:** Si su Amazon Echo no se conecta a su Tailgater Smart mediante Bluetooth, utilice el cable auxiliar de 3,5 mm (1/8 pulg.) incluido para conectar a esta entrada a la salida auxiliar del Amazon Echo. Esta conexión enviará la señal de audio desde el Amazon Echo al altavoz del Tailgater Smart.
2. **Puerto USB:** Si está utilizando un Amazon Echo Dot de 1era o 2da generación o un Amazon Echo Input, conecte el cable USB incluido desde este puerto al dispositivo a fin de alimentarlo. Conecte el extremo del cable que tiene el conector USB-A a este puerto y el extremo con el conector micro-USB a su Amazon Echo.
3. **Cable de CC:** Si está utilizando un Amazon Echo Dot de tercera generación, conecte el cable al dispositivo a fin de alimentarlo.

Ventanilla que da al **Soporte para Amazon Echo**

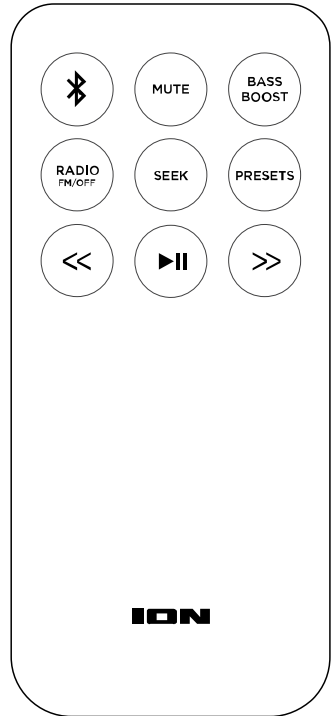


Nota: No utilice el **cable de CC** y el **puerto USB** en la cavidad del panel trasero al mismo tiempo.

Nota: Para lograr una mejor instalación, conecte los cables que van desde la cavidad del panel trasero a su Amazon Echo a través de la ventanilla que se encuentra en la cavidad del panel trasero (en lugar de realizar las conexiones por encima del panel superior de la unidad). Una vez realizadas las conexiones necesarias, debería ser capaz de cerrar la **tapa de la cavidad del panel trasero** y ocultar los cables.

Control remoto

- **Bluetooth (Botón de Bluetooth):** Pulse este botón para que el Tailgater Smart se desparee de un dispositivo Bluetooth conectado y busque otro dispositivo Bluetooth con el cual aparearse automáticamente.
- **Mute (Silencio):** Manténgalo pulsado este botón para silenciar toda la salida de audio del altavoz del Tailgater Smart. La **pantalla** parpadeará para indicar que el audio está silenciado. Suelte el botón para anular el silenciamiento de la salida de audio. Esta característica podría ser de utilidad al dar comandos de voz a Alexa, dado que un dispositivo Amazon conectado podría no ser capaz de escuchar los comandos de voz mientras reproduce música a través del altavoz.
- **Bass Boost:** Pulse este botón para mejorar la respuesta en frecuencia general de los graves.
- **Radio (FM/Off):** Pulse este botón para encender y apagar la radio.
- **Seek (Explorar):** Pulse este botón nuevamente para pasar a la siguiente estación de radio con señal fuerte.
- **Presets:** Manténgalo pulsado este botón para guardar la estación de radio actualmente seleccionada como un preset. Consulte [Uso de la radio](#) para aprender más.
- **<<:** Pulse este botón para pasar a la estación de radio anterior o a la pista/lista de reproducción/género anterior en su dispositivo Bluetooth.
- **▶|| (Reproducción/Pausa):** Si se encuentra apareado con un dispositivo Bluetooth, pulse este botón para reproducir una pista o ponerla en pausa en el dispositivo conectado. Si está escuchando radio, pulse este botón para recorrer los presets de estaciones.
- **>>:** Pulse este botón para pasar a la estación de radio siguiente o a la pista/lista de reproducción/género siguiente en su dispositivo Bluetooth.



Funcionamiento

Apareamiento de un dispositivo Bluetooth

Cómo aparear un dispositivo Bluetooth (como, por ejemplo, un Amazon Echo):

1. Encienda su dispositivo Bluetooth y el Tailgater Smart, el cual comenzará el proceso de apareamiento automáticamente. Se dará cuenta de que el Tailgater Smart está buscando dispositivos Bluetooth si el icono Bluetooth aún no se encendió en la **pantalla**.
2. Acceda a la pantalla de configuración Bluetooth de su dispositivo*. Luego busque y seleccione **Tailgater Smart**. El icono Bluetooth se encenderá en la **pantalla** del Tailgater Smart una vez que su dispositivo Bluetooth se aparee exitosamente.

Nota: Si su dispositivo Bluetooth solicita un código de apareamiento, ingrese "0000".

Nota: Si ya había apareado anteriormente ese dispositivo Bluetooth, podrá pasar directamente al paso 2 y simplemente esperar a que se conecte con el Tailgater Smart luego de encenderlo.

*La pantalla de configuración de su Amazon Echo se encuentra en la aplicación de Alexa. Una vez abierta la aplicación, acceda a **Settings**. Seleccione su Echo de la lista de dispositivos de Amazon y luego seleccione **Bluetooth** para ver una lista de los altavoces disponibles para el apareamiento.

Para desconectar un dispositivo Bluetooth, pulse el **botón Bluetooth** en la unidad o en el control remoto.

Para aparear un dispositivo Bluetooth diferente, repita el paso 2 tras desconectarse del primer dispositivo. Durante el proceso de apareamiento, puede ser de utilidad alejar el primer dispositivo para que quede fuera del alcance o desactivar su función de Bluetooth.

Nota: El alcance máximo se logra cuando se utilizan dispositivos con Bluetooth 4.0 o superior.

Nota: Los usuarios deben considerar la actualización de su sistema operativo (OS) si experimentan problemas con el apareamiento o la reproducción de música.

Consejo: Si desea desactivar (o activar) los avisos de voz, presione dos veces el **botón Bluetooth**.

Cómo aparear un dispositivo Bluetooth usando NFC

Con NFC (Comunicación de campo cercano, según sus siglas en inglés), puede iniciar una transmisión de datos inalámbrica desde un dispositivo de audio a su altavoz Tailgater Smart (es decir, aparear) tocando con delicadeza el altavoz con el dispositivo. Consulte en el manual de su dispositivo si soporta esta característica.

Cómo usar NFC para aparearse con el Tailgater Smart:

1. Su dispositivo debe estar encendido y desbloqueado.
2. Abra el menú **Settings** (Configuración) de su dispositivo y verifique que **NFC** esté **On** (Activado) (este paso solo se realiza una vez).
3. Encienda el Tailgater Smart.
4. Toque y acerque brevemente su dispositivo del logo de NFC ubicado en el panel superior del Tailgater Smart.
5. Siga las instrucciones de apareamiento que aparecen en su teléfono. Si se requiere una contraseña, ingrese "0000".
6. Para desaparecer, toque suavemente con su dispositivo el logo de NFC.

Uso de la radio

Selección de una estación de radio:

1. Pulse el **botón Radio** en la unidad o en el control remoto para encender la radio.
2. Sintonice una estación de radio utilizando los **botones - / +** en la unidad o los **botones << / >>** en el control remoto. Para "explorar estaciones" (es decir, sintonizar la próxima estación con señal fuerte), mantenga pulsado uno de los **botones - / +** de la unidad o pulse el **botón Seek** del control remoto.

Guardado de presets:

1. Sintonice la estación de radio que desea guardar como preset.
2. Mantenga pulsado el **botón Reproducir/Pausa/Presets** de la unidad o el **botón Presets** del control remoto durante dos segundos. Aparecerá un número de preset en la **pantalla**.
3. Utilice los **botones - / +** de la unidad o los **botones << / >>** del control remoto para seleccionar el número de preset en el cual desea guardar. El número se actualizará en la **pantalla**.
4. Pulse **Reproducir/Pausa/Presets** en la unidad o **Presets** en el control remoto para confirmar. Aparecerá "**SAV**" en la **pantalla**.

Selección de presets:

Cuando la radio esté encendida, pulse el **botón Reproducir/Pausa/Presets** de la unidad o **Reproducción/Pausa** en el control remoto para recorrer los presets guardados.

Solución de problemas

Si la unidad no se carga: Asegúrese de que el cable de alimentación esté conectado correctamente a la entrada de corriente y a la toma de corriente.

Si el sonido está distorsionado: Pruebe bajando el control de volumen de su fuente de sonido, instrumento musical o micrófono. Pruebe también reduciendo el volumen general del Tailgater Smart utilizando la perilla de volumen maestro.

Si los graves son demasiado fuertes: Intente ajustando el control de tono o ecualización de su fuente de sonido para reducir el nivel de graves. De esta forma podrá reproducir la música con más volumen antes de que se produzca el recorte (distorsión).

Hay un silbido agudo cuando se utilizan micrófonos: Probablemente sea realimentación. Apunte el micrófono apartándolo del altavoz.

Si no puede oír el micrófono por arriba del volumen de la música: Disminuya el volumen de la música en su fuente.

Si no logra reproducir música desde una unidad flash: El puerto USB sea solo para cargar dispositivos USB.

Si Alexa no es capaz de reconocer los comandos de voz mientras su dispositivo Amazon está conectado al Tailgater Smart: Silencie todo audio emitido por el Tailgater Smart manteniendo pulsado el **botón Mute** del control remoto mientras darle un comando de voz a Alexa. A fin de escuchar la respuesta de voz de Alexa a su comando, suelte el **botón Mute** para anular el silenciamiento del altavoz inmediatamente después de dar el comando. Se dará cuenta si el altavoz está silenciado o no si la **pantalla** está parpadeando.

Si no puede conectar su dispositivo de audio al Tailgater Smart mediante Bluetooth:

- Mantenga su dispositivo de audio (por ej., teléfono inteligente [smartphone] o tableta) y el Tailgater Smart lo más cerca posible entre sí al realizar la conexión. Asegúrese que tanto el dispositivo de audio como el Tailgater Smart no estén obstruidos por paredes, muebles, etc.
- Reinicie la conexión Bluetooth del Tailgater Smart desconectándolo de cualquier otro dispositivo de audio y reiniciando el proceso de búsqueda. Si esto no funciona en seguida, apague el Tailgater Smart y luego vuelva a encenderlo.
- Reinicie la conexión Bluetooth de su dispositivo de audio apagando el Bluetooth y luego volviendo a encenderlo. Puede encontrar esta opción dentro del menú Bluetooth en los ajustes de su teléfono o dispositivo de audio.

Si esto no funciona y ya se había conectado al Tailgater Smart anteriormente, busque Tailgater Smart en la lista de dispositivos disponibles o previamente conectados en el menú Bluetooth de su dispositivo de audio, toque el icono de engranaje o "i" ubicado junto a él y luego seleccione **Desaparear** u **Olvidar**. Apague el Tailgater Smart, luego vuelva a encenderlo e intente aparearlo nuevamente una vez que vuelva a aparecer en su lista de dispositivos disponibles.

Nota: Si Tailgater Smart ya ha sido recientemente apareado con otro dispositivo de audio que aún se encuentre dentro del alcance, es posible que tenga que repetir este proceso con ese dispositivo de audio para desconectarlo completamente.

Guide d'utilisation rapide (Français)

Présentation

Merci d'avoir fait l'acquisition de l'enceinte Tailgater Smart. Chez ION, votre divertissement est aussi important pour nous qu'il l'est pour vous. C'est pourquoi nous concevons nos produits avec une seule chose en tête – rendre la vie plus amusante et plus pratique.

Contenu de la boîte

Tailgater Smart
 Télécommande
 Microphone et câble
 Câble d'alimentation / charge
 Câble auxiliaire stéréo 3,5 mm
 Câble USB-A vers micro-USB
 2 inserts en caoutchouc ajustés pour les appareils Amazon Echo
 Guide d'utilisation rapide
 Consignes de sécurité et informations concernant la garantie

Assistance

Pour les toutes dernières informations concernant la documentation, les spécifications techniques, la configuration requise, la compatibilité et l'enregistrement du produit, veuillez visiter ionaudio.com.

Pour de l'assistance supplémentaire, veuillez visiter ionaudio.com/support.

Piles rechargeables

Remarque : Veuillez vous assurer d'avoir complètement chargé la batterie du produit avant sa première utilisation. L'appareil a été expressément expédié avec une charge de batterie réduite afin d'assurer un tranTailgater Smart sécuritaire.

Veuillez utiliser le câble d'alimentation fourni pour relier l'appareil à une prise secteur et laisser la batterie se recharger. Ceci permettra de maximiser la durée de vie de la batterie.

Les piles au plomb rechargeables sont du même type que les batteries utilisées dans les automobiles. Comme pour la batterie de votre automobile, la manière dont vous l'utilisez a un impact direct sur sa durée de vie. Cependant, avec une bonne utilisation la pile au plomb peut avoir une durée de vie de plusieurs années. Voici quelques recommandations pour prolonger au maximum la durée de vie de la pile interne.

Utilisation générale	Chargez complètement la batterie avant de l'utiliser le haut-parleur. Rechargez la batterie complètement après chaque utilisation.
Entreposage	Pour optimiser la longévité du produit, ne pas entreposer dans des températures extrêmement chaudes (supérieur à 32 °C / 90 °F) ou extrêmement froides (moins de 0 °C / 32 °F). Il est acceptable de laisser votre haut-parleur branché. Cela ne surchargera pas la batterie. Si vous laissez le niveau de batterie s'affaiblir sans la recharger pendant 3 mois, elle risquerait de perdre sa capacité de charge de façon permanente.
Réparation	Si la batterie ne parvient plus à se recharger, contactez ION Audio à ionaudio.com .
Élimination	Apportez l'appareil dans un centre de recyclage ou disposez selon les règlements de votre municipalité.

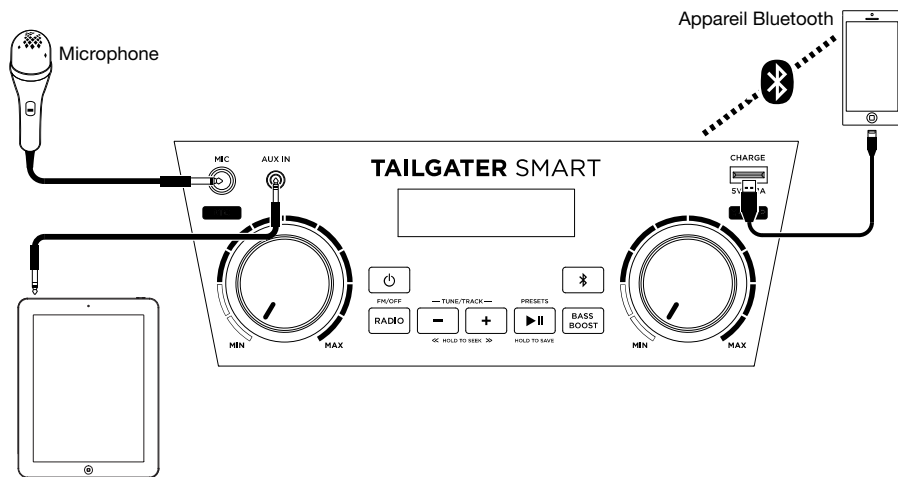
Démarrage

1. Veuillez vous assurer que tous les articles énumérés dans le [Contenu de la boîte](#) de ce guide sont inclus dans la boîte.
2. Veuillez lire le livret des *consignes de sécurité et des informations sur la garantie* avant d'utiliser le produit.
3. Veuillez vous assurer d'avoir complètement chargé la batterie avant la première utilisation afin d'augmenter sa durée de vie.
4. Veuillez examiner le [Schémas de connexion](#).
5. Veuillez vous assurer que le **volume général** de l'enceinte Tailgater Smart est au minimum.
6. Raccordez tous vos appareils.
7. Mettez l'enceinte Tailgater Smart sous tension. Lancez la lecture de la musique à partir d'un appareil connecté et réglez le **volume général** de l'enceinte Tailgater Smart à un niveau confortable.
8. Lorsque vous avez terminé d'utiliser l'enceinte Tailgater Smart, réglez le **volume général** au minimum, puis mettez-la hors tension.

Schémas de connexion

Les éléments qui ne figurent pas dans le [Contenu de la boîte](#) sont vendus séparément.

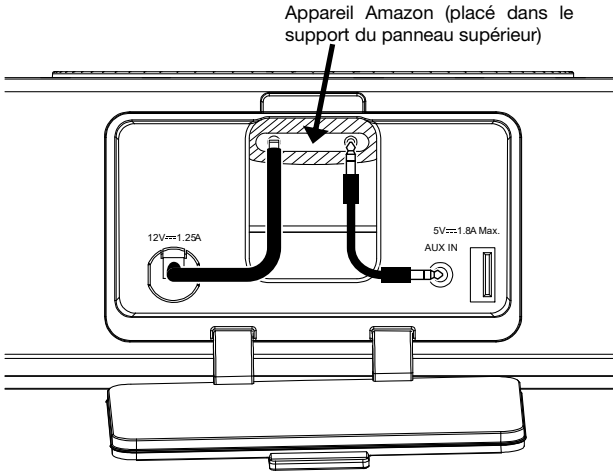
Panneau avant



Tablette, lecteur de MP3, etc.

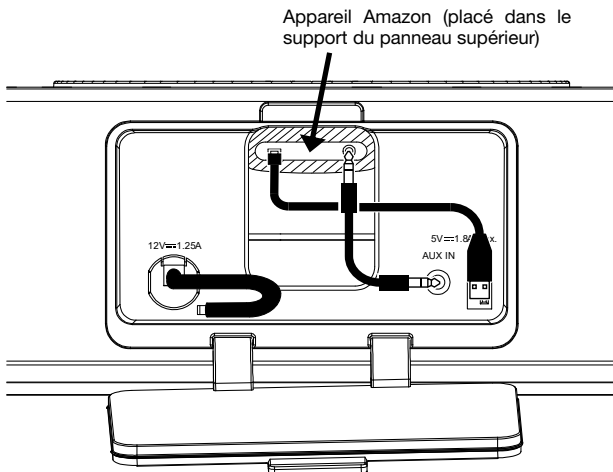
Cavité du panneau arrière (exemple 1)

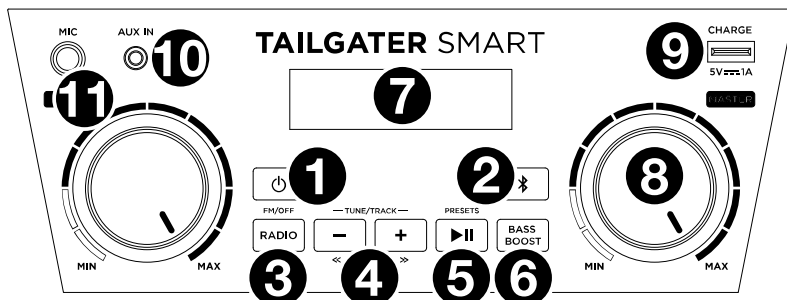
Lors de la connexion d'un Amazon Echo Dot de 3^e génération, utilisez le câble d'alimentation CC relié au panneau arrière pour recharger l'appareil. Si vous n'êtes pas connecté par le biais de la connexion Bluetooth, utilisez le câble auxiliaire de 3,5 mm fourni pour transmettre l'audio. Veuillez consulter la section [Caractéristiques](#) afin d'en savoir plus.



Cavité du panneau arrière (exemple 2)

Lors de la connexion d'un Amazon Echo Dot ou Echo Input de 1^{re} ou de 2^e génération, utilisez le câble USB pour recharger l'appareil. Si vous n'êtes pas connecté par le biais de la connexion Bluetooth, utilisez le câble auxiliaire de 3,5 mm fourni pour transmettre l'audio. Veuillez consulter la section [Caractéristiques](#) afin d'en savoir plus.





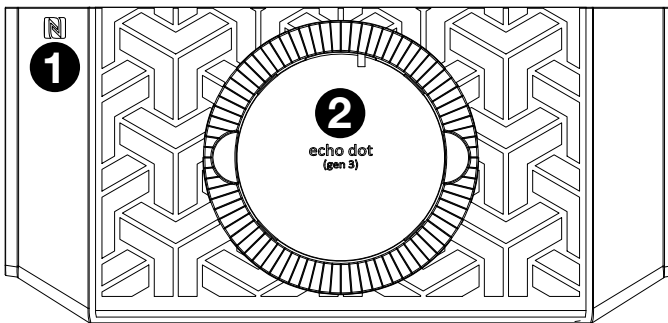
- Interrupteur d'alimentation** : Maintenez cette touche enfoncée pendant une seconde afin de mettre l'enceinte Tailgater Smart sous et hors tension. Suivant la mise sous tension, l'enceinte Tailgater Smart lance automatiquement le processus de jumelage et recherche un appareil Bluetooth qui se trouve dans les limites de sa portée.
- Touche Bluetooth** : Appuyer sur cette touche permet de supprimer la connexion à un appareil Bluetooth et de relancer le mode de jumelage afin de connecter un autre appareil Bluetooth.
- Sélecteur de radio** : Cette touche permet d'activer et de désactiver la radio FM.
- Touches de syntonisation/pistes (-/+)** : Ces touches permettent de syntoniser une station de radio ou de passer à la piste précédente/suivante sur un périphérique Bluetooth connecté. Pour balayer la bande (passer à la station radio suivante ayant un signal clair), maintenez une de ces touches enfoncée quelques secondes, jusqu'à ce qu'il commence à rechercher la prochaine station disponible. L'appareil mémorise la dernière station syntonisée et s'ouvre sur cette station lorsqu'il est remis sous tension.

Remarque : Avec certaines applications sur les appareils Bluetooth, ces touches permettent de passer à une autre liste de lecture ou à un autre genre de musique au lieu d'une autre piste.

- Lancer/interrompre la lecture/préréglages** : Lorsqu'un appareil Bluetooth est connecté, appuyer sur cette touche permet de lancer ou d'interrompre la lecture d'une piste sur l'appareil connecté. Lorsque la radio est activée, appuyer sur cette touche permet de parcourir les stations radio programmées. Maintenir cette touche enfoncée permet de mémoriser la station radio sélectionnée comme préréglage.
- Bass Boost** : Cette touche permet d'augmenter la réponse en basse fréquence.
- Écran** : Cet écran affiche information pertinente selon le fonctionnement de Tailgater Smart.
 - Indicateur de batterie** : Lorsque le câble d'alimentation est branché, le mouvement des segments de la batterie de l'indicateur de charge indique que la batterie est en charge. Lorsque complètement chargée, tous les segments de la batterie s'allument sans clignoter. Lorsque le câble d'alimentation est débranché, le segment de l'indicateur de charge indique le niveau de charge. Lorsqu'aucune des touches du panneau avant n'est enfoncée pendant plus de 60 secondes, l'indicateur de niveau de charge de la batterie s'éteint (pour économiser de l'énergie). L'indicateur de niveau de charge de la batterie se rallume lorsqu'une des touches du panneau avant est enfoncée. En outre, lorsque l'indicateur de niveau de charge de la batterie est au plus faible, l'indicateur se rallume.
 - Icône alimentation** : L'icône alimentation s'allume lorsque l'enceinte Tailgater Smart est sous tension.
 - Icône éclair** : L'icône éclair s'allume lorsque le câble d'alimentation est branché à une prise secteur.
 - Icône Bluetooth** : L'icône Bluetooth s'allume lorsqu'un périphérique est jumelé à l'enceinte Tailgater Smart.
 - Indicateur de Bass Boost** : L'indicateur de Bass Boost s'allume lorsque la fonction est activée.
 - Indicateur de FM** : Lorsque vous écoutez la radio, cet indicateur apparaît à côté du numéro de la station actuelle sur la droite.

8. **Volume général (Master) :** Ce bouton permet de régler le volume du mix général de l'enceinte qui comprend l'entrée microphone, l'entrée auxiliaire, le syntoniseur et l'audio provenant d'un périphérique Bluetooth jumelé.
9. **Port de rechargement USB :** Branchez le câble de rechargement de votre périphérique à cette prise pour le recharger. Le rechargement de la batterie par la connexion USB fonctionne uniquement lorsque l'appareil est allumé.
Remarque : Pour recharger plus rapidement vos smartphones et tablettes, mettez l'écran de votre smartphone ou tablette en veille.
10. **Entrée auxiliaire (1/8 po) :** Cette entrée stéréo 3,5 mm (1/8 po) permet de brancher un lecteur de disques compacts, lecteur MP3 ou autres sources audio.
11. **Entrée microphone (1/4 po) avec commande de volume :** Cette entrée 6,35 mm (1/4 po) permet de brancher un microphone.

Panneau supérieur



1. **NFC (communication en champ proche [CCP]) :** Toucher brièvement le logo CCP avec un appareil audio équipé de la technologie CCP permet de le jumeler à l'enceinte Tailgater Smart. Veuillez consulter la section [Jumelage Bluetooth à l'aide de la technologie CCP](#) afin d'en savoir plus.
2. **Support pour Amazon Echo :** Placez l'Amazon Echo sur ce support lorsqu'il est connecté à l'enceinte Tailgater Smart.

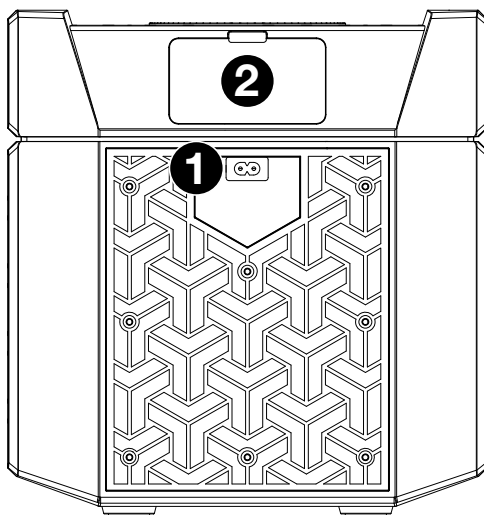
Le support est conçu pour la 3^e génération d'Amazon Echo. Si vous désirez utiliser un Amazon Echo Dot ou Echo Input de 1^{er} ou de 2^e génération, utilisez l'insert en caoutchouc correspondant fourni. Vous saurez lequel des deux inserts fournis utiliser, car il correspond à la taille de votre appareil Amazon (l'un est conçu pour Amazon Echo Dot de la 1^{er} et 2^e génération, tandis que l'autre est conçu pour l'Amazon Echo Input). Placez l'insert dans le support, puis placez l'Amazon Echo dans l'insert.

Assurez-vous de positionner l'Amazon Echo dans le support de sorte que ses ports soient face à la fenêtre de la cavité du panneau arrière de l'enceinte Tailgater Smart. De cette façon, vous pouvez passer les câbles de l'enceinte Tailgater Smart à travers cette fenêtre et les brancher à l'Amazon Echo (pour une installation plus soignée). Veuillez consulter le [Schémas de connexion](#).

Remarque : Il est possible qu'Alexa ne puisse pas entendre les commandes vocales lorsque l'enceinte Tailgater Smart joue de la musique. Pour éviter ce problème, maintenir la **touche de Mute (mise en sourdine)** de la télécommande alors que formuler une requête à Alexa. Sachez que mettre en sourdine l'enceinte coupe la musique, mais également la réponse d'Alexa. Afin d'entendre la réponse d'Alexa, vous devez désactiver la mise en sourdine de la Tailgater Smart en relâchant la **touche de Mute (mise en sourdine)** peu de temps après avoir formulé votre requête.

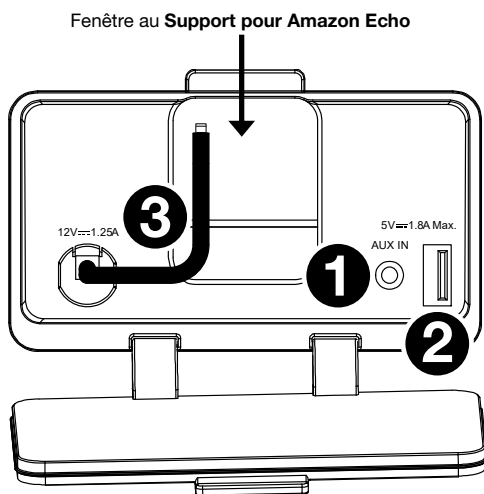
Panneau arrière

1. **Entrée d'alimentation** : Branchez le câble d'alimentation inclus à cette entrée pour recharger l'appareil. L'icône éclair s'allume si le câble d'alimentation est branché à une prise secteur. Lorsque l'enceinte Tailgater Smart est branchée à une source d'alimentation, la batterie se recharge sans que l'enceinte ait besoin d'être sous tension. Lorsqu'elle est branchée à une source d'alimentation et sous tension, la batterie se recharge également.
2. **Couvercle de la cavité du panneau arrière** : Tirez la languette située en haut de ce couvercle vers vous pour accéder au panneau arrière, où se trouvent les connectiques pour l'Amazon Echo. Après avoir branché l'Amazon Echo, refermez le couvercle afin de dissimuler les câbles.



Cavité du panneau arrière

1. **Entrée auxiliaire** : Si l'Amazon Echo n'est pas connecté à l'enceinte Tailgater Smart par le biais de la connexion Bluetooth, utilisez le câble auxiliaire de 3,5 mm fourni pour brancher la sortie auxiliaire de l'Amazon Echo à cette entrée. Cette connexion permet de transmettre le signal audio de l'Amazon Echo vers l'enceinte Tailgater Smart.
2. **Port USB** : Si vous désirez utiliser un Amazon Echo Dot ou Echo Input de 1^{re} ou de 2^e génération, branchez le câble USB fourni à ce port puis à l'appareil afin de l'alimenter. Branchez l'extrémité USB-A du câble à ce port et l'extrémité micro-USB à l'Amazon Echo.
3. **Câble CC** : Si vous désirez utiliser un Amazon Echo Dot de 3^e génération, utilisez ce câble afin de l'alimenter.

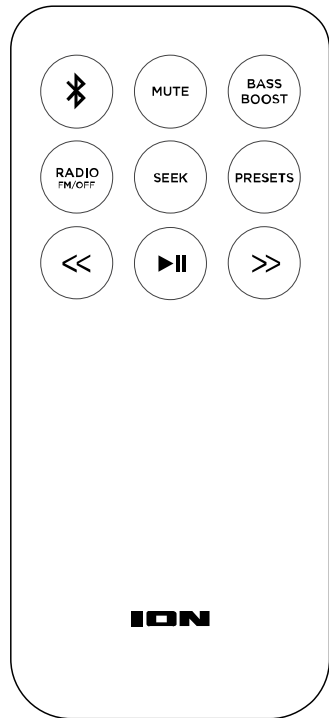


Remarque : Ne pas utiliser le **câble CC** et le **port USB** dans la cavité du panneau arrière en même temps.

Remarque : Pour une installation plus soignée, faites passer les câbles du panneau arrière à l'Amazon Echo à travers cette fenêtre (au lieu d'effectuer les connexions par-dessus le panneau supérieur de l'enceinte). Après avoir effectué les connexions nécessaires, vous devriez pouvoir refermer le **couvercle de la cavité du panneau arrière** et dissimuler les câbles.

Télécommande

- **Bluetooth** : Appuyer sur cette touche permet de supprimer la connexion à un appareil Bluetooth et de relancer le mode de jumelage afin de connecter un autre appareil Bluetooth.
- **Mute (Mise en sourdine)** : Maintenir cette touche enfoncée permet de mettre en sourdine tout l'audio provenant de l'enceinte Tailgater Smart. L'écran clignote afin d'indiquer que la mise en sourdine est activée. Relâchez la touche permet de désactiver la mise en sourdine. Cette fonction s'avère utile lorsque vous désirez utiliser des commandes vocales, comme il est possible qu'Alexa ne puisse les entendre lorsque l'enceinte Tailgater Smart joue de la musique.
- **Bass Boost** : Cette touche permet d'augmenter la réponse en basse fréquence.
- **Radio (FM/Off)** : Cette touche permet d'activer et de désactiver la radio FM.
- **Seek (Balayer)** : Cette touche permet de passer à la prochaine station radio ayant un signal clair.
- **Presets (Préréglages)** : Maintenir cette touche enfoncée permet de mémoriser la station radio sélectionnée comme préréglage. Veuillez consulter la section [Utilisation de la radio](#) afin d'en savoir plus.
- **<<** : Cette touche permet de revenir à la station précédente ou à la piste/liste de lecture/genre de musique précédent sur l'appareil Bluetooth.
- **▶|| (Lancer/interrompre la lecture)** : Lorsqu'un appareil Bluetooth est connecté, appuyer sur cette touche permet de lancer ou d'interrompre la lecture d'une piste sur l'appareil connecté. Lorsque la radio est activée, appuyer sur cette touche permet de parcourir les stations radio programmées.
- **>>** : Cette touche permet de passer à la prochaine station radio ou à la piste/liste de lecture/genre de musique suivant sur l'appareil Bluetooth.



Fonctionnement

Jumelage d'un périphérique Bluetooth

Pour jumeler un appareil Bluetooth (comme un Amazon Echo) :

1. Mettez l'appareil Bluetooth puis l'enceinte Tailgater Smart sous tension, ce qui lancera automatiquement le processus de jumelage. Vous saurez que l'enceinte Tailgater Smart est à la recherche d'appareils Bluetooth si l'icône Bluetooth n'est pas allumée sur l'**écran**.
2. Accédez à l'écran de configuration de l'appareil Bluetooth.* Ensuite, recherchez et sélectionnez **Tailgater Smart**. L'icône Bluetooth s'allumera sur l'**écran** de l'enceinte Tailgater Smart lorsque l'appareil Bluetooth sera connecté.

Remarque : Si l'appareil Bluetooth vous demande un code de jumelage, saisissez « **0000** ».

Remarque : Si l'appareil Bluetooth a déjà été jumelé à l'enceinte, il est possible que vous puissiez sauter l'étape 2 et attendre simplement qu'ils se reconnectent suivant la mise sous tension.

* L'écran de configuration de l'Amazon Echo se trouve dans l'application Alexa. Après avoir lancé l'application, accédez au menu **Paramètres**. Sélectionnez l'Echo parmi la liste des appareils Amazon, puis sélectionnez **Bluetooth** pour afficher une liste des enceintes disponibles pour le jumelage.

Pour **déjumeler un appareil Bluetooth**, appuyez sur la **touche Bluetooth** de l'enceinte ou de la télécommande.

Pour **jumeler un autre appareil Bluetooth**, répétez l'étape 2 après avoir déjumelé l'appareil connecté. Au cours du processus de jumelage, il peut être préférable de déplacer l'autre appareil hors de portée ou de désactiver sa fonction Bluetooth.

Remarque : La plage maximale peut être atteinte avec l'utilisation d'appareils dotés de Bluetooth 4.0 ou de versions ultérieures.

Remarque : Les utilisateurs devraient envisager de mettre à jour leur système d'exploitation si des ennuis surviennent durant le jumelage ou lors de la lecture de musique.

Astuce : Si vous souhaitez désactiver (ou activer) les messages vocaux, appuyez deux fois sur la **touche Bluetooth**.

Jumelage Bluetooth à l'aide de la technologie CCP

Avec la technologie CCP (communication en champ proche), vous pouvez amorcer la transmission de données sans fil (c.-à-d. le jumelage) d'un appareil audio vers l'enceinte Tailgater Smart en touchant brièvement l'enceinte avec l'appareil. Vérifiez le guide d'utilisation de votre appareil afin de déterminer s'il prend en charge la technologie CCP.

Jumelage de l'enceinte Tailgater Smart à l'aide de la technologie CCP :

1. Le périphérique doit être activé et son écran déverrouillé.
2. Entrez dans le menu **Réglages** de votre périphérique et vérifiez que la fonction **CCP** est activée (à faire uniquement lors du premier jumelage).
3. Mettez l'enceinte Tailgater Smart sous tension.
4. Touchez brièvement le logo CCP situé sur le panneau supérieur de l'enceinte Tailgater Smart avec votre périphérique.
5. Suivez les instructions de jumelage qui s'affichent sur votre périphérique. Si votre appareil vous demande d'entrer un mot de passe, entrez « **0000** ».
6. Pour supprimer la connexion, effleurez le périphérique contre le logo CCP.

Utilisation de la radio

Sélectionner une station radio :

1. Appuyez sur la **touche Radio** de l'appareil ou de la télécommande pour activer la radio.
2. Utilisez les **touches de syntonisation/pistes (-/+)** de l'appareil ou **<< / >>** de la télécommande pour sélectionner une station radio. Pour balayer la bande (passer à la station radio suivante ayant un signal clair), maintenez une des **touches de syntonisation/pistes (-/+)** de l'appareil enfoncée ou appuyez sur la **touche Seek** de la télécommande.

Programmer un préséglage :

1. Syntonisez la station que vous souhaitez mémoriser comme préséglage.
2. Maintenez la **touche lancer/interrompre la lecture/préréglages** de l'appareil ou la **touche Presets** de la télécommande enfoncée pendant 2 secondes. Un numéro de préséglage s'affichera à l'**écran**.
3. Utilisez les **touches de syntonisation/pistes (-/+)** de l'appareil ou **<< / >>** de la télécommande pour sélectionner le numéro de préséglage. Le nouveau numéro s'affichera à l'**écran**.
4. Appuyez sur la **touche lancer/interrompre la lecture/préréglages** de l'appareil ou sur la **touche Presets** de la télécommande pour confirmer la sélection. « **SAV** » s'affichera à l'**écran**.

Sélectionner un préséglage :

Lorsque la radio est allumée, appuyer sur la **touche lancer/interrompre la lecture/préréglages** de l'appareil ou **lancer/interrompre la lecture** de la télécommande permet de parcourir les stations radio programmées.

Dépannage

Si l'appareil ne se recharge pas : Veuillez-vous assurer que le câble d'alimentation secteur est correctement branché à l'entrée d'alimentation et à une prise secteur.

Lorsqu'il y a de la distorsion : Essayez de diminuer le volume du périphérique audio, de l'instrument de musique ou du microphone. Essayez également de réduire le volume général de l'enceinte Tailgater Smart.

Lorsqu'il y a trop de basses fréquences : Essayez de régler le niveau de tonalité et d'égalisation sur le périphérique audio afin de diminuer le niveau des basses fréquences. Cela vous permettra d'augmenter le volume de la musique avant que l'écrêtage se produise.

Lorsqu'il y a un sifflement aigu lors de l'utilisation des microphones : Ceci est probablement causé par la rétroaction (effet Larsen). Pointez le microphone dans la direction opposée de l'enceinte.

Lorsque vous ne pouvez entendre le microphone à cause du volume trop élevé de la musique : Diminuez le volume sur le périphérique audio.

Si vous ne parvenez pas à lire le matériel sur la clé USB : Les port USB est uniquement à recharger les périphériques USB.

Si Alexa ne reconnaît pas les commandes vocales alors que votre appareil Amazon est connecté à l'enceinte Tailgater Smart : Mettez en sourdine tout signal audio provenant de l'enceinte Tailgater Smart en maintenant la **touche Mute (mise en sourdine)** sur la télécommande alors que formuler une requête à Alexa. Afin d'entendre la réponse d'Alexa, relâchez la **touche Mute (mise en sourdine)** peu de temps après avoir formulé votre requête. Vous saurez que la mise en sourdine a été activée lorsque l'écran clignotera.

Si vous ne pouvez connecter votre appareil audio à la Tailgater Smart par connexion Bluetooth :

- Veillez à ce que votre appareil audio (p. ex., smartphone ou tablette) et la Tailgater Smart soient le plus près possible l'un de l'autre lors du jumelage. Veillez également à ce qu'aucun obstacle ne se trouve entre l'appareil audio et la Tailgater Smart, comme des murs, des meubles, etc.
- Réinitialisez la connexion Bluetooth sur la Tailgater Smart en supprimant toute connexion à la Tailgater Smart et recommençant le processus de recherche d'appareil. Si cela ne fonctionne pas immédiatement, mettez la Tailgater Smart hors tension et de nouveau sous tension.
- Réinitialisez la connexion Bluetooth sur l'appareil audio en désactivant et réactivant la connexion Bluetooth. Vous pouvez effectuer ceci à partir du menu Bluetooth dans les Réglages de votre smartphone ou autre appareil audio.

Si cela ne fonctionne pas et que vous avez déjà connecté votre appareil à la Tailgater Smart auparavant, veuillez rechercher la Tailgater Smart dans la liste des appareils disponibles ou précédemment connectés dans le menu Bluetooth de votre appareil audio, puis appuyer sur l'icône engrenage ou « i » située à côté de « Oublier cet appareil ». Mettez la Tailgater Smart hors tension et de nouveau sous tension et réessayez de la jumeler une fois qu'elle apparaît dans la liste des appareils disponibles.

Remarque : Si la Tailgater Smart a été récemment jumelée à un autre appareil audio qui est toujours dans son champ de portée, il se peut que vous deviez répéter ce processus avec cet appareil audio afin de supprimer la connexion.

Appendix (English)

Technical Specifications

Output Power	50 W (peak)
Frequency Response	77 Hz – 20 KHz (± 3 dB)
Drivers	Low-Frequency: 6.5" / 165.1 mm woofer High-Frequency: 1" / 25.4 mm tweeter
Bluetooth	Profile: A2DP, AVRCP Range: Up to 100 feet / 30.5 meters
Microphone Type	Dynamic microphone (included)
Radio Frequency Range	US: 87.5–107.9 MHz (FM) Europe: 87.5–108 MHz (FM) Japan: 75.5–90.5 MHz (FM)
Charging Options	USB Port (Front Panel): 5 V, 1 A USB Port (Rear Panel): 5 V, 1.8 A DC Cable (Rear Panel): 12 V, 1.25 A
Battery	Battery life: Up to 50 hours Recharge time: 6 hours Type: 12 V, 5 Ah, SLA
Power	Via power cable Connection: IEC Input Voltage: 100–240 VAC, 50/60 Hz Consumption: 50 W
Dimensions (width x depth x height)	12.6" x 9.0" x 13.1" 320 x 228 x 333 mm
Weight	11.9 lb. 5.4 kg

Specifications are subject to change without notice. Bluetooth and wireless reception and range are affected by walls, obstructions, and movement. For optimal performance, place the product in the center of the room so it is unobstructed by walls, furniture, etc. Battery life may vary based on temperature, age, and volume usage of product.

Trademarks & Licenses

ION Audio is a trademark of inMusic Brands, Inc., registered in the U.S. and other countries. The *Bluetooth* word mark and logos are owned by the Bluetooth SIG, Inc. and any use of such marks by ION Audio is under license. All other product names, company names, trademarks, or trade names are those of their respective owners.

ionaudio.com