



## Alcove Tub Installation Instructions

### Installation Notes

Professional installation by a licensed plumber required. Adhere to all local building and plumbing codes.

Measure the actual tub prior to any construction or installation to ensure accuracy for rough-in.

Be sure that the floor is structurally sound and able to support the full weight of a tub with water and an occupant. Subfloor must be correctly leveled.

Support the bottom of the tub only by the feet or base of the tub. Do not use the rim as a supporting area. Ensure that the tub is perfectly levelled for proper draining. The base area should be set in enough mortar to support the bottom of the tub.

Access should be given to all plumbing connections.

Verify that the bottom of the apron is at the same height as the floor covering.

100% Silicone sealant is recommended.

### Prior to commencing installation

Remove packaging carefully without damaging and store until installation is completed.

Inspect all areas of the tub prior to installation– the two year limited warranty does not cover any visible defects if the tub has been installed.

Contact your retailer within one calendar week after receipt if any defect is found.

### Post-Installation

To clean without scratching use a moist soft cloth and a mild liquid detergent. Do not use abrasive cleaners, scraping tools, or any item that could damage or dull the acrylic surface.

# ALCOVE TUB INSTALLATION

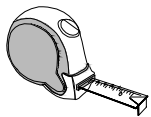
**Note:** The drain and overflow trim for this bathtub is not installed. The trim set can be found in a separate smaller box inside the bathtub box.

**Warning:** Due to rough handling during shipping or on the job site, do not install this product until a thorough inspection and water test has been completed.

Check bathtub for correct model and size. Carefully inspect the tub for any damage (i.e., chips, scratches, cracks). If at any point during the pre-installation inspection and water test, you discover a problem with the bathtub or piping system, **DO NOT INSTALL** the unit and contact us immediately.

**All pre installed parts must be checked and retightened before installation.**

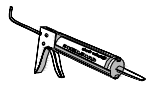
## TOOLS and ITEMS REQUIRED



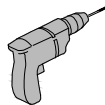
Tape measure



Pencil



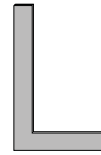
Silicone sealant



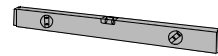
Electric Drill



Gloves



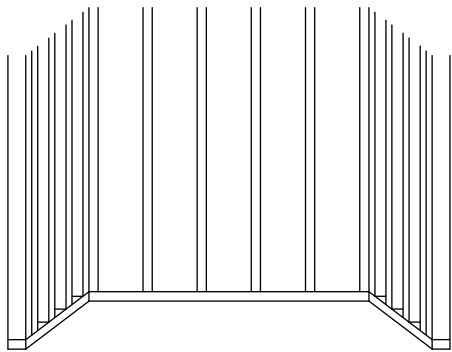
Ruler



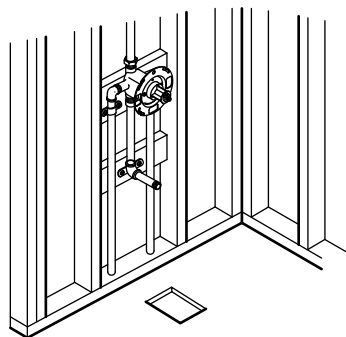
Spirit Level



Protective Eyewear



(figure 1)



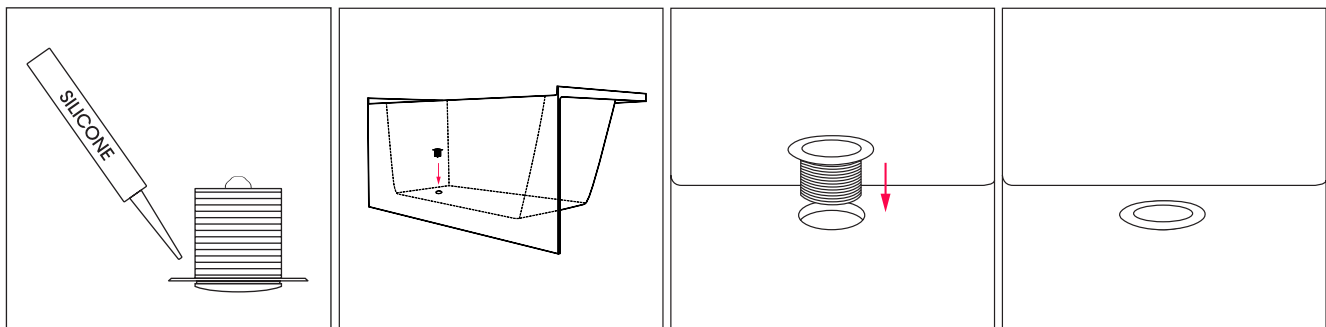
(figure 2)

## PREPARATION

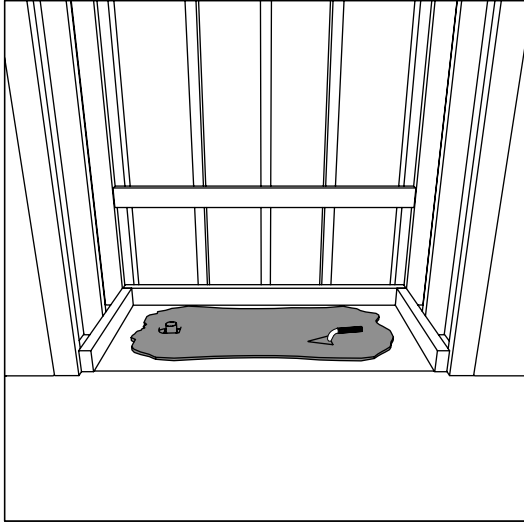
1. Construct a plumb stud pocket. Refer to the specification sheet. (figure 1)
2. Install the rough plumbing. (figure 2)
3. Place the drain into the bathtub. Apply silicone to the drain. (figure 3)

Make sure you properly seal and tighten the drain assembly prior to connection and ensure that the silicone has cured.

The overflow drain is integrated into the inner body of the tub so no additional drain or installation is required. Test drain for leaks prior to final installation.



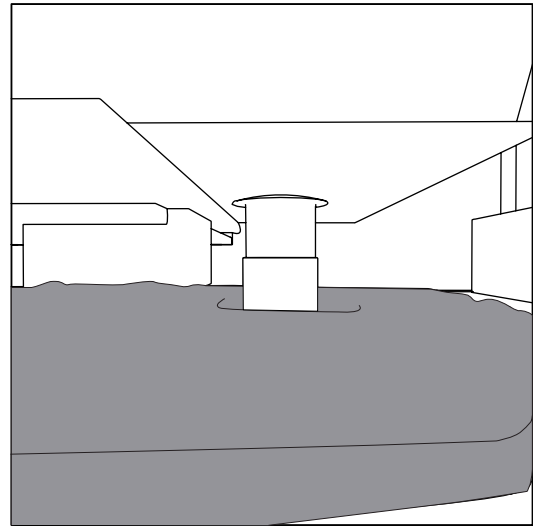
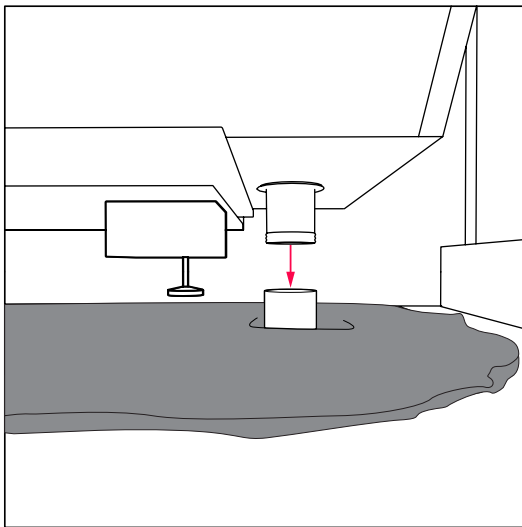
(figure 3)



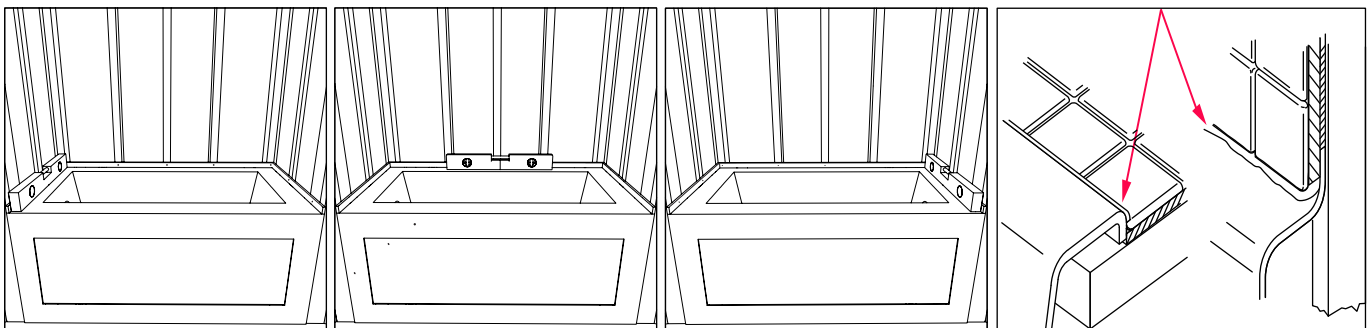
(figure 4)

Drain, waste locations and trim options vary by model.

4. Apply mortar to the floor surface. (figure 4)
5. Lift the tub into position. Make sure to align the drain with the pipe. (figure 5)
6. Level all sides of the bathtub. Apply 100% silicone sealant around the bath along the finished walls and deck . (figure 6)



(figure 5)



(figure 6)